

# 250 P

Excavator



JOHN DEERE





## *THE FAST TRACK LOOKS GREAT FROM HERE*

With powerful digging forces, swing torque, and lift capacities optimized to make the most of every gallon of fuel, our reimagined 250 P-Tier Excavator can help fast-track your bottom line. Enhancements inspired by ideas from real-world customers include Powerwise Plus™ technology that boosts performance on demand, intuitive operating controls, and reliably rugged undercarriage components. Optional camera array with LED-surround lighting plus deluxe LED lights help you see your work like never before. This mid-size muscle was designed to take your operation through the challenges — and accelerate your expectations.

## FEATURES

### Seeing is believing

Optional camera array with LED-surround lighting integrated into the main monitor work together to supplement 270-degree visibility of the area around the machine.

### Plan for productivity

Powerwise Plus hydraulic-management system balances engine performance and hydraulic flow for reliable operation. **High productivity** yields more power and faster hydraulic response to move more material. **Power** delivers smooth, balanced metering for normal operation. **Economy** reduces engine rpm and helps save fuel.

### Underneath it all

New integrated idler and adjuster on the undercarriage of the 250 P-Tier Excavator eases the greasing process. Strengthened idler bearing absorbs the brunt of whatever the track frame encounters, to boost overall wear.

### Designed to deliver long life

Improved front-joint durability including new bushings on the boom end and foot, better front-piping clamping, and strengthened undercarriage components compared to earlier models help extend uptime and wear life. Larger front-piping diameter and new electric cooling fans improve fuel efficiency by up to five percent.

### Control you can count on

Ergonomically correct short-throw pilot joysticks enable smooth, precise fingertip control with less movement or effort. Push buttons in the right lever allow predictable control of auxiliary hydraulic flow for operating attachments.



**LARGE-DIAMETER FRONT PIPING  
PLUS ELECTRIC COOLING FANS  
CONSERVE FUEL BY UP TO 5%**

### Now you know

Multi-language LCD monitor and rotary dial provide intuitive access to a wealth of information and functions. Just turn and tap to select work mode, access operating info, check maintenance intervals, source diagnostic codes, adjust cab temperature, and tune the radio.

### Take a load off

Quiet and spacious cab features standard rearview camera for expansive all-round visibility. Sculpted mechanical-suspension high-back seat slides together or independent of the joystick console to help keep operators comfortably supported.

### Get good grades

Grade-reference-ready option includes sensor mounts to help speed installation, eliminating the need to grind, weld, and repaint. Our “open-architecture” design allows you to employ your favorite brand of grade-control system to help maximize productivity and uptime while lowering daily operating costs.

### See your work in a new light

Optional deluxe LED lights at cab front and rear, boom, and toolbox shine when your workday extends beyond daylight. Engine-compartment light makes it easy to see daily maintenance points in low-light conditions.

### Add some muscle

When the digging gets tough, simply press the standard power-boost button on the right-hand control for more hydraulic muscle.



## 250 P-TIER EXCAVATOR



**PRESS POWER BOOST  
FOR MORE MUSCLE**



### **Simplify your routine**

Large fuel tank and 500- and 5,000-hour engine and hydraulic oil-service intervals decrease downtime for routine maintenance. Fluid-level sight gauges are conveniently located and can be checked at a glance.

### **Precision Construction**

This suite of construction technology delivers **Productivity Solutions** to help you get more done, more efficiently. In-base JDLink™ connectivity provides machine location, utilization data, and alerts to help you maximize productivity and efficiency. To maximize uptime and lower costs, JDLink also enables **John Deere Connected Support™**. Dealers use Expert Alerts based on data from thousands of connected machines to proactively address conditions that may otherwise likely lead to downtime. Your dealer can also monitor machine health and leverage remote diagnostics and programming capability to further diagnose problems and even update machine software without a time-consuming trip to the jobsite.\*

\*Availability varies by region. Options not available in every country.





While general information, pictures, and descriptions are provided, some illustrations and text may include product options and accessories NOT AVAILABLE in all regions, and in some countries products and accessories may require modifications or additions to ensure compliance with the local regulations of those countries.

<b>Engine</b>	<b>250 P-TIER</b>		
	<b>Base engine for use in U.S., U.S. Territories, and Canada</b>		
Manufacturer and Model	John Deere PowerTech™ PVS 6.8 L		
Non-Road Emission Standard	EPA Final Tier 4/EU Stage IV		
Net Rated Power (ISO 9249)	140 kW (188 hp) at 2,100 rpm		
Cylinders	6		
Displacement	6.8 L (415 cu. in.)		
Off-Level Capacity	70% (35 deg.)		
Aspiration	Turbocharged, air-to-air charge-air cooler		
<b>Cooling</b>	Reversing electric variable-speed fan drive		
<b>Powertrain</b>	2-speed propel with automatic shift		
<b>Maximum Travel Speed</b>			
Low	3.3 km/h (2.1 mph)		
High	5.5 km/h (3.4 mph)		
Drawbar Pull	21 900 kg (48,300 lb.)		
<b>Hydraulics</b>	Open center, load sensing		
<b>Main Pumps</b>	2 variable-displacement pumps		
Maximum Rated Flow	224 L/m (59.2 gpm) x 2		
<b>Pilot Pump</b>	1 gear		
Maximum Rated Flow	35.5 L/m (9.3 gpm)		
Pressure Setting	3900 kPa (566 psi)		
<b>System Operating Pressure</b>			
Circuits			
Implement	34 300 kPa (4,975 psi)		
Travel	35 000 kPa (5,076 psi)		
Swing	32 400 kPa (4,830 psi)		
Power Boost	38 000 kPa (5,511 psi)		
<b>Controls</b>	Pilot levers, short stroke, low-effort hydraulic pilot controls with shutoff lever		
<b>Cylinders</b>			
	<i>Bore</i>	<i>Rod Diameter</i>	<i>Stroke</i>
<b>Boom (2)</b>	125 mm (4.9 in.)	90 mm (3.5 in.)	1390 mm (54.7 in.)
<b>Arm (1)</b>	140 mm (5.5 in.)	100 mm (3.9 in.)	1610 mm (63.4 in.)
<b>Bucket (1)</b>	130 mm (5.1 in.)	90 mm (3.5 in.)	1075 mm (42.3 in.)
<b>Electrical</b>			
Number of Batteries (12 volt)	2		
Battery Capacity	950 CCA		
Alternator Rating	300 amp		
Work Lights	2 LED (1 on left side of boom, 1 on frame)		
<b>Undercarriage</b>			
<b>Rollers (each side)</b>			
Carrier	2		
Track	9		
Shoes, Triple Semi-Grousers (each side)	51		
<b>Track</b>			
Adjustment	Hydraulic		
Guides	2 per side		
Chain	Sealed and lubricated		

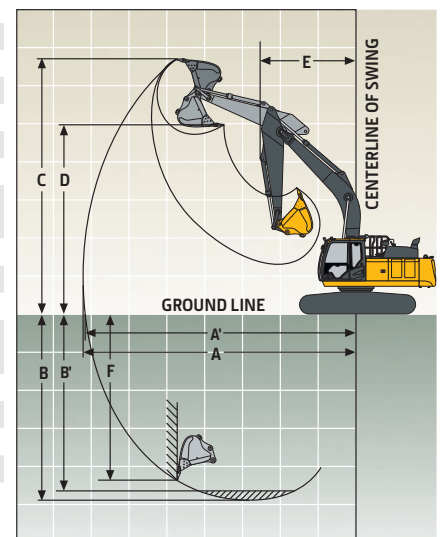
## 250 P-TIER EXCAVATOR SPECIFICATIONS

# 250

# P

While general information, pictures, and descriptions are provided, some illustrations and text may include product options and accessories NOT AVAILABLE in all regions, and in some countries products and accessories may require modifications or additions to ensure compliance with the local regulations of those countries.

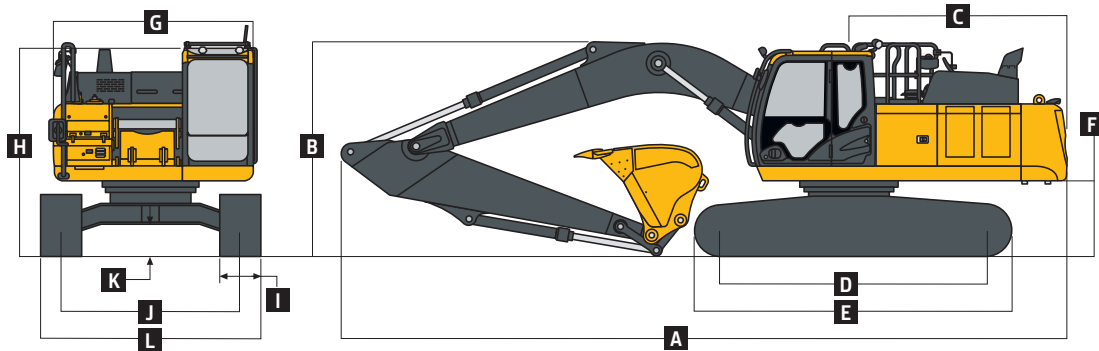
Ground Pressure		250 P-TIER	
Triple Semi-Grouser Shoes			
700 mm (28 in.)		46.7 kPa (6.78 psi)	
800 mm (32 in.)		40.9 kPa (5.93 psi)	
Swing Mechanism			
<b>Swing</b>			
Speed		13.5 rpm	
Torque		77 500 Nm (57,150 lb.-ft.)	
Serviceability			
<b>Refill Capacities</b>		<b>Refill Capacities (continued)</b>	
Fuel Tank	500 L (132 gal.)	Hydraulic System	240 L (63 gal.)
Diesel Exhaust Fluid (DEF) Tank	35 L (9.3 gal.)	Swing Drive	7 L (7.5 qt.)
Cooling System	23 L (6 gal.)	Gearbox	
Engine Oil With Filter	19.5 L (5.2 gal.)	Propel (each)	6.2 L (6.5 qt.)
Hydraulic Tank	147.6 L (39 gal.)	Pump Drive	1.1 L (1.2 qt.)
Operating Weights			
With full fuel tank; 79-kg (175 lb.) operator; 1.06-m <sup>3</sup> (1.38 cu. yd.), 1219-mm (48 in.), 1107-kg (2,440 lb.) bucket; 3.61-m (11 ft. 10 in.) arm; 5112-kg (11,270 lb.) counterweight; and 800-mm (32 in.) triple semi-grouser shoes			
Operating Weight	27 500 kg (60,600 lb.)		
Component Weights			
Undercarriage With Triple Semi-Grouser Shoes			
700 mm (28 in.)	8467 kg (18,667 lb.)		
800 mm (32 in.)	8752 kg (19,294 lb.)		
1-Piece Boom (with arm cylinder)	2210 kg (4,872 lb.)		
Arm With Bucket Cylinder and Linkage			
2.96 m (9 ft. 9 in.)	1296 kg (2,858 lb.)		
3.61 m (11 ft. 10 in.)	1396 kg (3,078 lb.)		
Boom-Lift Cylinders (2), Total Weight	434 kg (958 lb.)		
1.06-m <sup>3</sup> (1.38 cu. yd.), 1065-mm (42 in.)	997 kg (2,197 lb.)		
Heavy-Duty Plate-Lip Bucket			
Counterweight, Standard	5112 kg (11,270 lb.)		
Operating Dimensions			
<b>Arm Length</b>		2.96 m (9 ft. 9 in.)	3.61 m (11 ft. 10 in.)
Arm Digging Force			
SAE	129.1 kN (29,021 lb.)	112.2 kN (25,220 lb.)	
ISO	131.0 kN (29,450 lb.)	114.0 kN (25,628 lb.)	
Bucket Digging Force			
SAE	164.0 kN (36,869 lb.)	164.0 kN (36,869 lb.)	
ISO	189.0 kN (42,489 lb.)	189.0 kN (42,489 lb.)	
Lifting Capacity Over Front at Ground Level			
6.1-m (20 ft. 0 in.) Reach (with power boost)			
<b>A</b>	Maximum Reach	10.29 m (33 ft. 9 in.)	10.91 m (35 ft. 10 in.)
<b>A'</b>	Maximum Reach at Ground Level	10.11 m (33 ft. 2 in.)	10.75 m (35 ft. 3 in.)
<b>B</b>	Maximum Digging Depth	6.96 m (22 ft. 10 in.)	7.61 m (25 ft. 0 in.)
<b>B'</b>	Maximum Digging Depth at 2.44-m (8 ft. 0 in.) Flat Bottom	6.75 m (22 ft. 2 in.)	7.44 m (24 ft. 5 in.)
<b>C</b>	Maximum Cutting Height	10.16 m (33 ft. 4 in.)	10.56 m (34 ft. 8 in.)
<b>D</b>	Maximum Dumping Height	7.20 m (23 ft. 7 in.)	7.58 m (24 ft. 10 in.)
<b>E</b>	Minimum Swing Radius	3.44 m (11 ft. 3 in.)	3.43 m (11 ft. 3 in.)
<b>F</b>	Maximum Vertical Wall	6.03 m (19 ft. 9 in.)	6.74 m (22 ft. 1 in.)



# 250 P-TIER

While general information, pictures, and descriptions are provided, some illustrations and text may include product options and accessories NOT AVAILABLE in all regions, and in some countries products and accessories may require modifications or additions to ensure compliance with the local regulations of those countries.

Machine Dimensions	250 P-TIER	
<b>Arm Length</b>	2.96 m (9 ft. 9 in.)	3.61 m (11 ft. 10 in.)
<b>A</b> Overall Length	10.35 m (33 ft. 11 in.)	10.41 m (34 ft. 2 in.)
<b>B</b> Overall Height	3.07 m (10 ft. 1 in.)	3.14 m (10 ft. 4 in.)
<b>C</b> Tail-Swing Radius	3.14 m (10 ft. 4 in.)	3.14 m (10 ft. 4 in.)
<b>D</b> Distance Between Idler/Sprocket Centerline	3.84 m (12 ft. 7 in.)	3.84 m (12 ft. 7 in.)
<b>E</b> Undercarriage Length	4.64 m (15 ft. 3 in.)	4.64 m (15 ft. 3 in.)
<b>F</b> Counterweight Clearance	1.09 m (3 ft. 7 in.)	1.09 m (3 ft. 7 in.)
<b>G</b> Upperstructure Width	2.89 m (9 ft. 6 in.)	2.89 m (9 ft. 6 in.)
<b>H</b> Cab Height	3.01 m (9 ft. 11 in.)	3.01 m (9 ft. 11 in.)
<b>I</b> Track Width With Triple Semi-Grouser Shoes	700 mm (28 in.) / 800 mm (32 in.)	700 mm (28 in.) / 800 mm (32 in.)
<b>J</b> Gauge Width	2.59 m (8 ft. 6 in.)	2.59 m (8 ft. 6 in.)
<b>K</b> Ground Clearance	0.46 m (18 in.)	0.46 m (18 in.)
<b>L</b> Overall Width With Triple Semi-Grouser Shoes		
700 mm (28 in.)	3.29 m (10 ft. 9 in.)	3.29 m (10 ft. 9 in.)
800 mm (32 in.)	3.39 m (11 ft. 1 in.)	3.39 m (11 ft. 1 in.)



## Lift Capacities

**Boldface type** indicates hydraulically limited capacity; lightface type indicates stability-limited capacities, in kg (lb.). Ratings at arm tip; standard gauge; and situated on firm, uniform supporting surface. Total load includes weight of cables, hook, etc. Figures do not exceed 87 percent of hydraulic capacities or 75 percent of weight needed to tip machine. All lift capacities are based on ISO 10567.

LOAD POINT HEIGHT	HORIZONTAL DISTANCE FROM CENTERLINE OF ROTATION													
	1.5 m (5 ft.)		3.0 m (10 ft.)		4.5 m (15 ft.)		6.0 m (20 ft.)		7.5 m (25 ft.)		9.0 m (30 ft.)			
	Over Front	Over Side	Over Front	Over Side	Over Front	Over Side	Over Front	Over Side	Over Front	Over Side	Over Front	Over Side		
<i>With 2.96-m (9 ft. 9 in.) arm and 700-mm (28 in.) shoes, less bucket</i>														
6.0 m (20 ft.)							5780	5780						
							(12,660)	(12,660)						
4.5 m (15 ft.)					7730	7730	6560	6560	6020	4810				
					(16,650)	(16,650)	(14,270)	(14,270)	(13,180)	(10,360)				
3.0 m (10 ft.)					10 100	9900	7670	6480	6540	4650				
					(21,740)	(21,380)	(16,620)	(13,990)	(14,260)	(10,030)				
1.5 m (5 ft.)					12 140	9230	8740	6150	6780	4480				
					(26,210)	(19,920)	(18,940)	(13,270)	(14,610)	(9,670)				
Ground Line					13 100	8910	9260	5920	6640	4360				
					(28,380)	(19,190)	(19,930)	(12,790)	(14,310)	(9,410)				
-1.5 m (-5 ft.)			9370	9370	13 110	8830	9150	5830	6590	4310				
			(21,310)	(21,310)	(28,440)	(19,010)	(19,700)	(12,580)	(14,210)	(9,310)				
-3.0 m (-10 ft.)	10 880	10 880	15 560	15 560	12 290	8910	9190	5870						
	(24,440)	(24,440)	(35,430)	(35,430)	(26,620)	(19,200)	(19,800)	(12,670)						
-4.5 m (-15 ft.)			14 230	14 230	10 320	9170								
			(30,600)	(30,600)	(22,130)	(19,770)								



While general information, pictures, and descriptions are provided, some illustrations and text may include product options and accessories NOT AVAILABLE in all regions, and in some countries products and accessories may require modifications or additions to ensure compliance with the local regulations of those countries.

## 250 P-TIER

### Lift Capacities (continued) 250 P-TIER

**Boldface type** indicates hydraulically limited capacity; lightface type indicates stability-limited capacities, in kg (lb.). Ratings at arm tip; standard gauge; and situated on firm, uniform supporting surface. Total load includes weight of cables, hook, etc. Figures do not exceed 87 percent of hydraulic capacities or 75 percent of weight needed to tip machine. All lift capacities are based on ISO 10567.

LOAD POINT HEIGHT	HORIZONTAL DISTANCE FROM CENTERLINE OF ROTATION											
	1.5 m (5 ft.)		3.0 m (10 ft.)		4.5 m (15 ft.)		6.0 m (20 ft.)		7.5 m (25 ft.)		9.0 m (30 ft.)	
	Over Front	Over Side	Over Front	Over Side	Over Front	Over Side	Over Front	Over Side	Over Front	Over Side	Over Front	Over Side
<i>With 3.61-m (11 ft. 10 in.) arm and 700-mm (28 in.) shoes, less bucket</i>												
6.0 m (20 ft.)							5030	5030	4730	4730		
							<b>(11,030)</b>	<b>(11,030)</b>	<b>(10,100)</b>	<b>(10,100)</b>		
4.5 m (15 ft.)							5850	5850	5470	4890		
							<b>(12,730)</b>	<b>(12,730)</b>	<b>(11,930)</b>	(10,520)		
3.0 m (10 ft.)					8950	8950	7010	6590	6070	4700	4440	3520
					<b>(19,270)</b>	<b>(19,270)</b>	<b>(15,210)</b>	(14,220)	<b>(13,240)</b>	(10,130)	<b>(8,820)</b>	(7,570)
1.5 m (5 ft.)					11 260	9410	8220	6220	6730	4500	5080	3430
					<b>(24,310)</b>	(20,310)	<b>(17,800)</b>	(13,420)	<b>(14,640)</b>	(9,720)	<b>(10,120)</b>	(7,380)
Ground Line			5390	5390	12 690	8950	9130	5940	6630	4340	4990	3350
			<b>(12,370)</b>	<b>(12,370)</b>	<b>(27,460)</b>	(19,280)	<b>(19,800)</b>	(12,810)	(14,290)	(9,370)	<b>(9,400)</b>	(7,230)
-1.5 m (-5 ft.)	5260	5260	8610	8610	13 120	8760	9110	5790	6530	4250		
	<b>(11,780)</b>	<b>(11,780)</b>	<b>(19,540)</b>	<b>(19,540)</b>	<b>(28,450)</b>	(18,870)	(19,600)	(12,480)	(14,080)	(9,180)		
-3.0 m (-10 ft.)	8940	8940	13 080	13 080	12 710	8770	9080	5760	6540	4260		
	<b>(20,070)</b>	<b>(20,070)</b>	<b>(29,730)</b>	<b>(29,730)</b>	<b>(27,540)</b>	(18,900)	(19,560)	(12,440)	(14,110)	(9,210)		
-4.5 m (-15 ft.)	13 550	13 550	16 100	16 100	11 330	8950	8370	5890				
	<b>(30,610)</b>	<b>(30,610)</b>	<b>(34,710)</b>	<b>(34,710)</b>	<b>(24,390)</b>	(19,290)	<b>(17,910)</b>	(12,730)				
<i>With 2.96-m (9 ft. 9 in.) arm and 800-mm (32 in.) shoes, less bucket</i>												
6.0 m (20 ft.)							5780	5780				
							<b>(12,660)</b>	<b>(12,660)</b>				
4.5 m (15 ft.)					7730	7730	6560	6560	6020	4860		
					<b>(16,650)</b>	<b>(16,650)</b>	<b>(14,270)</b>	<b>(14,270)</b>	<b>(13,180)</b>	(10,470)		
3.0 m (10 ft.)					10 100	9990	7670	6540	6540	4700		
					<b>(21,740)</b>	(21,580)	<b>(16,620)</b>	(14,120)	<b>(14,260)</b>	(10,130)		
1.5 m (5 ft.)					12 140	9320	8740	6210	6850	4530		
					<b>(26,210)</b>	(20,120)	<b>(18,940)</b>	(13,410)	(14,770)	(9,780)		
Ground Line					13 100	9000	9360	5990	6710	4410		
					<b>(28,380)</b>	(19,390)	(20,150)	(12,920)	(14,470)	(9,510)		
-1.5 m (-5 ft.)			9370	9370	13 110	8920	9250	5890	6660	4360		
			<b>(21,310)</b>	<b>(21,310)</b>	<b>(28,440)</b>	(19,210)	(19,920)	(12,720)	(14,370)	(9,410)		
-3.0 m (-10 ft.)	10 880	10 880	15 560	15 560	12 290	9010	9190	5930				
	<b>(24,440)</b>	<b>(24,440)</b>	<b>(35,430)</b>	<b>(35,430)</b>	<b>(26,620)</b>	(19,400)	<b>(19,860)</b>	(12,810)				
-4.5 m (-15 ft.)			14 230	14 230	10 320	9260						
			<b>(30,600)</b>	<b>(30,600)</b>	<b>(22,130)</b>	(19,970)						
<i>With 3.61-m (11 ft. 10 in.) arm and 800-mm (32 in.) shoes, less bucket</i>												
6.0 m (20 ft.)							5030	5030	4730	4730		
							<b>(11,030)</b>	<b>(11,030)</b>	<b>(10,100)</b>	<b>(10,100)</b>		
4.5 m (15 ft.)							5850	5850	5470	4930		
							<b>(12,730)</b>	<b>(12,730)</b>	<b>(11,930)</b>	(10,630)		
3.0 m (10 ft.)					8950	8950	7010	6650	6070	4750	4440	3560
					<b>(19,270)</b>	<b>(19,270)</b>	<b>(15,210)</b>	(14,360)	<b>(13,240)</b>	(10,240)	<b>(8,820)</b>	(7,660)
1.5 m (5 ft.)					11 260	9510	8220	6280	6730	4550	5080	3460
					<b>(24,310)</b>	(20,510)	<b>(17,800)</b>	(13,560)	<b>(14,640)</b>	(9,820)	<b>(10,120)</b>	(7,460)
Ground Line			5390	5390	12 690	9040	9130	6000	6710	4390	4990	3390
			<b>(12,370)</b>	<b>(12,370)</b>	<b>(27,460)</b>	(19,480)	<b>(19,800)</b>	(12,950)	(14,450)	(9,480)	<b>(9,400)</b>	(7,310)
-1.5 m (-5 ft.)	5260	5260	8610	8610	13 120	8860	9210	5850	6610	4300		
	<b>(11,780)</b>	<b>(11,780)</b>	<b>(19,540)</b>	<b>(19,540)</b>	<b>(28,450)</b>	(19,070)	(19,820)	(12,620)	(14,240)	(9,280)		
-3.0 m (-10 ft.)	8940	8940	13 080	13 080	12 710	8870	9190	5830	6610	4310		
	<b>(20,070)</b>	<b>(20,070)</b>	<b>(29,730)</b>	<b>(29,730)</b>	<b>(27,540)</b>	(19,100)	(19,770)	(12,580)	(14,270)	(9,310)		
-4.5 m (-15 ft.)	13 550	13 550	16 100	16 100	11 330	9040	8370	5950				
	<b>(30,610)</b>	<b>(30,610)</b>	<b>(34,710)</b>	<b>(34,710)</b>	<b>(24,390)</b>	(19,490)	<b>(17,910)</b>	(12,870)				

# 250 P-TIER

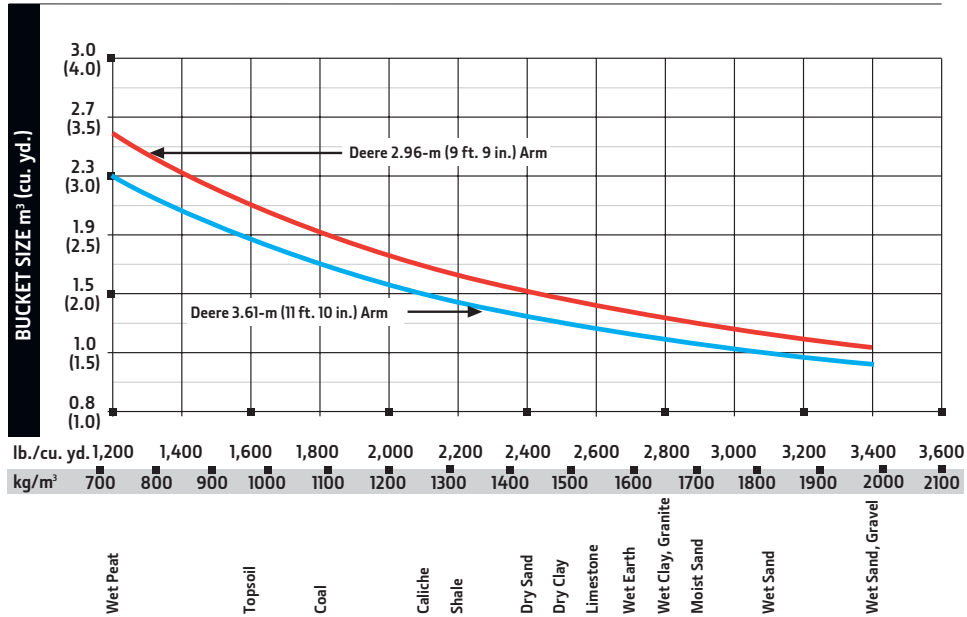
While general information, pictures, and descriptions are provided, some illustrations and text may include product options and accessories NOT AVAILABLE in all regions, and in some countries products and accessories may require modifications or additions to ensure compliance with the local regulations of those countries.

## Buckets 250 P-TIER

A full line of buckets is offered to meet a wide variety of applications. Digging forces are with power boost. Buckets are equipped with John Deere TK-Series Bucket Teeth standard. A variety of teeth are available through John Deere Parts. Optional side cutters add 150 mm (6 in.) to bucket widths. Capacities are SAE heaped ratings.

Type Bucket	Bucket Width		Bucket Capacity		Bucket Weight		Bucket Dig Force		Bucket Pin to Cutting Edge Radius		Bucket Pin to Tooth Tip Radius		Number of Teeth
	mm	in.	m <sup>3</sup>	cu. yd.	kg	lb.	kN	lb.	mm	in.	mm	in.	
Heavy Duty	915	36	0.85	1.11	983	2,167	185.3	41,661	1449	57	1591	63.6	4
	1067	42	1.04	1.36	1088	2,398	185.3	41,661	1449	57	1591	63.6	5
	1220	48	1.22	1.60	1206	2,660	185.3	41,661	1449	57	1591	63.6	6
	1372	54	1.41	1.85	1284	2,832	185.3	41,661	1449	57	1591	63.6	6
	1524	60	1.60	2.09	1390	3,065	185.3	41,661	1449	57	1591	63.6	7

### Bucket Selection Guide\*



\*Contact your John Deere dealer for optimum bucket and attachment selections. These recommendations are for general conditions and average use. Does not include optional equipment such as thumbs or couplers. Larger buckets may be possible when using light materials, for flat and level operations, less compacted materials, and volume loading applications such as mass-excavation applications in ideal conditions. Smaller buckets are recommended for adverse conditions such as off-level applications, rocks, and uneven surfaces. Bucket capacity indicated is SAE heaped.

# Additional equipment

Key: ● Standard ▲ Optional or special  
See your John Deere dealer for further information.

<b>250 P Engine</b>
● Auto-idle system
● Automatic belt-tension device
● Batteries (2 – 12 volt)
● Coolant recovery tank
● Dual-element dry-type air filter
● Electronic engine control
● Enclosed fan guard (conforms to SAE J1308)
● Engine coolant to –37 deg. C (–34 deg. F)
● Programmable auto shutdown
● Fuel filter with water separator
● Fuel shutoff valve
● Full-flow oil filter
● Turbocharger with charge-air cooler
▲ Reversing electric variable-speed fan drive
● Glow-plug start aid
● 500-hour engine-oil-change interval
● 70% (35 deg.) off-level capability
● Engine-oil-sampling valve
▲ Chrome exhaust stack
▲ Engine coolant heater
▲ Engine air precleaner
▲ Severe-duty fuel filter
<b>Hydraulic System</b>
● Reduced-drift valve for boom down, arm in
● Auxiliary hydraulic valve section
● Spring-applied, hydraulically released automatic swing brake
● Auxiliary hydraulic-flow adjustments through monitor
● Auto power lift
● 5,000-hour hydraulic-oil-change interval
● Hydraulic-oil-sampling valve
● Control pattern-change valve
● Powerwise Plus™ hydraulic-management system
▲ Auxiliary hydraulics with combination piping
▲ Auxiliary pilot and electric controls
▲ Hydraulic filter restriction indicator kit
▲ Load-lowering control / Anti-drift device
▲ Single-pedal propel control
▲ Dual pump-flow combiner
▲ High-flow auxiliary hydraulic lines with dual stop valves
<b>Undercarriage</b>
● Planetary drive with axial piston motors
● Propel motor shields
● Spring-applied, hydraulically released automatic propel brake
● Track guides, front idler and center
● 2-speed propel with automatic shift
● Upper carrier rollers (2)
● Sealed and lubricated track chain
● Heavy-duty undercover
▲ Triple semi-grouser shoes, 700 mm (28 in.)
▲ Triple semi-grouser shoes, 800 mm (32 in.)

<b>250 P Upperstructure</b>
● Right-hand, left-hand, and counterweight mirrors
● Vandal locks with ignition key: Cab door / Service doors / Toolbox
● Debris screen in side panel
● Remote-mounted engine oil and fuel filters
▲ "D" channel guard
<b>Front Attachments</b>
● Centralized lubrication system
● Dirt seals on all bucket pins
● Less boom and arm
● Oil-impregnated bushings
● Reinforced resin thrust plates
● Tungsten carbide thermal coating on arm-to-bucket joint
▲ Arm, 2.96 m (9 ft. 9 in.)
▲ Arm, 3.61 m (11 ft. 10 in.)
▲ Attachment quick-couplers
▲ Boom cylinder with plumbing to mainframe for less boom and arm
▲ Buckets: Heavy duty / Heavy-duty high capacity / Side cutters and teeth
▲ Hydraulic thumb
<b>Operator's Station</b>
● Adjustable independent-control positions (levers-to-seat, seat-to-pedals)
● AM/FM radio
● Auto climate control/air conditioner/heater/pressurizer
● Built-in Operator's Manual storage compartment and manual
● Cell-phone power outlet, 12 volt, 60 watt, 5 amp
● Coat hook
● Deluxe suspension cloth seat with 100-mm (4 in.) adjustable armrests
● Floor mat
● Front windshield wiper with intermittent speeds
● Gauges (illuminated): Diesel Exhaust Fluid (DEF) / Engine coolant / Fuel
● Horn, electric
● Hour meter, electric
● Hydraulic shutoff lever, all controls
● Hydraulic warm-up control
● Interior light
● Large cup holder
● Machine Information Center (MIC)
● Mode selectors (illuminated): Power modes (3) / Travel modes (2 with automatic shift) / Work mode (1)
● Multifunction, color LCD monitor with: Diagnostic capability / Multiple-language capabilities / Maintenance tracking / Clock / System monitoring with alarm features: Auto-idle indicator, engine air cleaner restriction indicator light, engine check, engine coolant temperature indicator light with audible alarm,

<b>250 P Operator's Station (continued)</b>
engine oil pressure indicator light with audible alarm, low-alternator-charge indicator light, low-fuel indicator light, low DEF indication with audible alarm, fault code alert indicator, fuel-rate display, wiper-mode indicator, work-lights-on indicator, and work-mode indicator
● Motion alarm with cancel switch (conforms to SAE J994)
● Power-boost switch on right console lever
● Auxiliary hydraulic control switches in right console lever
● SAE 2-lever control pattern
● Seat belt, 76 mm (3 in.), non-retractable
● Tinted glass
● Transparent tinted overhead hatch
● Hot/cold beverage compartment
● USB charging port
▲ Air-suspension heated seat
▲ Hydraulic oil filter restriction indicator light
▲ Premium thermally heated and actively cooled leather seat
▲ Protection screens for cab front, rear, and side
▲ Window vandal-protection covers
▲ In-monitor adjustable flow and pressure auxiliary hydraulics with auxiliary function lever (AFL)
<b>Electrical</b>
● 300-amp alternator
● Blade-type multi-fused circuits
● Positive-terminal battery covers
● Battery-disconnect switch
● JDLink™ wireless communication system (available in specific countries; see your dealer for details)
● Rearview camera
▲ Right rear left 270-deg. camera system with additional LED surround lighting
▲ Cab extension wiring harness
<b>Lights</b>
● Work lights: LED / 1 mounted on left side of boom / 1 mounted on frame
<b>Trim Packages</b>
● <b>Level 1:</b> Mechanical seat and standard front LED work lights
▲ <b>Level 2:</b> Heated, air-suspension seat and standard front LED work lights
▲ <b>Level 3:</b> Heated, air-suspension seat; deluxe front LED work lights; and chrome exhaust
▲ <b>Level 4:</b> Premium-leather, thermal-heating, and active-cooling seat; deluxe front LED work lights; and chrome exhaust
<b>Application Packages</b>
▲ <b>Cold-weather package:</b> Engine-block heater
▲ <b>Debris package:</b> Engine air centrifugal pre-cleaner and reversing electric variable-speed fan drive with selectable intervals and manual override (for use in airborne-debris environments)

While general information, pictures, and descriptions are provided, some illustrations and text may include product options and accessories NOT AVAILABLE in all regions, and in some countries products and accessories may require modifications or additions to ensure compliance with the local regulations of those countries.

Net engine power is with standard equipment including air cleaner, exhaust system, alternator, and cooling fan, at test conditions specified per ISO 9249. No derating is required up to 3050-m (10,000 ft.) altitude. Specifications and design subject to change without notice. Wherever applicable, specifications are in accordance with SAE standards. Except where otherwise noted, these specifications are based on a unit with 1219-mm (48 in.) bucket, 5112-kg (11,270 lb.) counterweight, 800-mm (32 in.) triple semi-grouser shoes, full fuel tank, and 79-kg (175 lb.) operator.



  
ME250PAU (23-01)



**JOHN DEERE**