

CA2500

Spare parts list

Vibratory roller

CA2500D/PD s/n 10000137xxA012943 - 020926

Engine: Cummins QSB 4.5 (IIIA/T3)



General information

Use only authorized parts. Any damage or malfunction caused by the use of unauthorized parts is not covered by Warranty or Product Liability. Any unauthorized use or copying of the contents or any part thereof is prohibited. This applies in particular to trademarks, model denominations, part numbers, and drawings.

Instructions for use

This spare parts list contains no safety regulations and is merely intended to assist in the ordering of spare parts.

For information about operating, servicing, or repairing, the relevant Safety and operating instructions must be consulted at all costs.

Please observe the safety instructions listed in the relevant Safety and operating instructions!

Service kits, non-remote engine oil filter

4812156993 Service kit, 50h Plus 3
 4812159996 Service kit, 50h Plus Limited slip Rear axle 5
 4812160173 Service kit, 500h Plus Cummins QSB 4.5 7
 4812160172 Service kit, 500h Cummins QSB 4.5 9
 4812160175 Service kit, 1000h Plus Cummins QSB 4.5 11
 4812160174 Service kit, 1000h Cummins QSB 4.5 13
 4812160178 Start up kit Cummins QSB 4.5 15
 4812160177 Service kit, 2000h Plus Cummins QSB 4.5 17
 4812160176 Service kit, 2000h Cummins QSB 4.5 19

Service kits, remote engine oil filter

4812156993 Service kit, 50h Plus See page 3
 4812159996 Service kit, 50h Plus Limited slip Rear axle See page 5
 4812158281 Service kit, 500h Plus Cummins QSB 4.5 21
 4812158369 Service kit, 500h Cummins QSB 4.5 23
 4812158282 Service kit, 1000h Plus Cummins QSB 4.5 25
 4812158283 Service kit, 1000h Cummins QSB 4.5 27
 4812158370 Start up kit Cummins QSB 4.5 29
 4812158582 Service kit, 2000h Plus Cummins QSB 4.5 31
 4812158583 Service kit, 2000h Cummins QSB 4.5 33

Repair kits

Eccentric shaft kit 35
 4812157275 Drum rotation kit 37
 4812158579 Shock absorber kit, drum 39

Frame

Frame, front 41

Steering hitch, To A016439

4812117507 Steering hitch, cpl 43

Steering hitch, From A016440

Steering hitch module 45
 4812114990 Steering hitch, cpl 47

Scrapers, option

Scrapers, option 49
 Scraper module Steel 51
 Scraper module Rubber 53
 Scraper assy 55
 Scraper module PD 57
 Scraper module PD Heavy duty 59
 Scraper mount 61
 Frame, rear 63
 Frame, rear 65
 Cover assembly 67
 Step module 69
 Step assy 71
 Tool box module, Option 73
 Engine structure 75
 Engine hood 77
 4812120749 Engine hood, cpl 79
 4812118994 Lock handle, cpl 81
 Fender module 83
 Hinge module 85
 Lock handle assy 87
 Gas spring module 89
 Safety link module 91

Drum

Drum, cpl	93
4812113266 Drum gear	97
4812112198 Hydraulic motor	99
Vibration motor adapter	105
Tooth wheel module	107
Drum cartridges (D-version)	
4812158091 Drum cartridge, vibration side (D version)	109
4812158096 Drum cartridge with shaft nut, vibration side (D version)	111
4812158086 Drum cartridge, drive side (D version)	113
Drum cartridges (PD-version)	
4812158090 Drum cartridge, vibration side (PD version)	115
4812158095 Drum cartridge with shaft nut, vibration side (PD version)	117
4812158085 Drum cartridge, drive side (PD version)	119
Pad shell, option	121
Engine	
Engine	123
Diesel engine	127
Belt guard module	129
Bracket module	131
Cooling system	133
Cooler stand module To A015844	
Cooler stand module	135
Cooler stand module From A015845	
Cooler stand module	138
Hose assy kit	141
Air cleaner	143
Air cleaner module	145
Fuel system	
Fuel system	147
Fuel tank module	149
Fuel tank	151
Brackets assy	153
Fuel hoses	155
Draining module, option	157
Exhaust system	159
Expansion tank assembly	161
Transmission	
Rear axle and wheels	163
4812113344 Rear axle, limited slip	
4812113344 Rear axle, limited slip	165
Differential & Bevel gear	167
Brakes	169
Hub reduction	171
4812113341 Rear axle No spin	
4812113341 Rear axle No spin	173
Differential	175
Central housing and brakes	177
Hub reduction	179
Hydraulic system	
Hydraulic system, drum (D) Traction control, dual speed	
Hydraulic system, drum (D) Traction control, dual speed	181
Hydraulic motor	183

4812112215 Hydraulic motor

4812112215 Hydraulic motor 185
Rotary group 187
Flush and boost pressure valve 189
Cover with shaft seal ring 191
Hydraulic valve module 193
4812113687 Hydraulic valve 195

Hydraulic system, drum (PD) Traction control, dual speed

Hydraulic system, drum (PD) Traction control, dual speed 197
Hydraulic motor See page 183

4812112215 Hydraulic motor

4812112215 Hydraulic motor See page 185
Rotary group See page 187
Flush and boost pressure valve See page 189
Cover with shaft seal ring See page 191
Hydraulic motor 199

4812112200 Hydraulic motor

4812112200 Hydraulic motor 201
Loop flushing 205

Hydraulic system, drum Anti-spin system

Hydraulic system, drum Anti-spin system 207
Hydraulic motor See page 183

4812112215 Hydraulic motor

4812112215 Hydraulic motor See page 185
Rotary group See page 187
Flush and boost pressure valve See page 189
Cover with shaft seal ring See page 191
Hydraulic motor 209

4812112202 Drum motor

4812112202 Drum motor 211
Drum motor. Front section 213
Loop flushing 215
Drum motor. Rear section 217

Hydraulic system, rear axle Traction control, limited slip

Hydraulic system, rear axle Traction control, limited slip 219
Hydraulic motor 221

4812112208 Rear axle motor

4812112208 Rear axle motor 223
Front section 225
Rear section 227
Hose holder 229

Hydraulic system, rear axle Traction control, no slip

Hydraulic system, rear axle Traction control, no slip 231
Hydraulic motor 233

4812112211 Rear axle motor

4812112211 Rear axle motor 235
Loop flushing 239
4812122932 Hydraulic motor 241
Hose holder See page 229

Hydraulic system, rear axle Anti-spin system

Hydraulic system, rear axle Anti-spin system 245
Hydraulic motor 247

4812112210 Rear axle motor

4812112210 Rear axle motor	249
Front section	251
Rear section	255
Hose holder	See page 229

Hydraulic system, rear axle Dual speed

Hydraulic system, rear axle Dual speed	257
Hydraulic motor	259
4812112207 Axle motor	261
Hose holder	See page 229

Hydraulic system, oil tank

Hydraulic system, oil tank	265
Hydraulic oil tank assembly	267
Hydraulic valve module	271
4812120840 Hydraulic valve	273
4812112238 Hydraulic valve	275
Connector assy	277
Fan module	279
4812117796 Hydraulic motor	281

Hydraulic system, engine room

Hydraulic system, engine room	283
Hydraulic pump module	285

4812112170 Hydraulic pump, propul pump

4812112170 Hydraulic pump, propul pump	287
Front section	289
Rear section	291
Hydraulic pump module	295
Hydraulic oil filter assy	297
Hydraulic pump module	299
4812118150 Hydraulic pump, steering	301

Hydraulic system, engine room Adjustable frequency, eco opti

Hydraulic system, engine room Adjustable frequency, eco opti	303
Hydraulic pump module	See page 285

4812112170 Hydraulic pump, propul pump

4812112170 Hydraulic pump, propul pump	See page 287
Front section	See page 289
Rear section	See page 291
Hydraulic pump	305
4812112180 Hydraulic pump	307
Hydraulic oil filter assy	See page 297
Hydraulic pump module	See page 299
4812118150 Hydraulic pump, steering	See page 301
Hydraulic pump module, Eco	309
4812118151 Hydraulic pump	311

Hydraulic system, frame rear

Hydraulic system, frame rear	313
Connector kit	315
Connector kit	317

Hydraulic system, steering

Hydraulic system, steering	319
Hydraulic cylinder	321
4812121946 Hydraulic cylinder	323
Hydraulic cylinder	325
Steering valve module	327
Hydraulic hoses, steering	329

Hydraulic system, emergency steering

Hydraulic system, emergency steering	331
4812112188 Hydraulic pump Emergency steering unit	333
4812112236 Hydraulic valve	335

Electric equipment

Electric cables, power supply, 1-pole

Electric cables, power supply, 1-pole	337
Battery module	339
Battery disconnecter module	341

Electric cables, power supply, 2-pole, option

Electric cables, power supply, 2-pole, option	343
Battery module	See page 339
Battery disconnecter, 2-pole	345

Electrical cables, engine - ECU Horn, back-up alarm

Electrical cables, engine - ECU Horn, back-up alarm	347
Standard ECU assembly	350
Power converter module	353
Inclination sensor module	355
Inclination sensor module	357
Back-up alarm module	359
Back-up alarm module, Quacker	361
Bracket module	363
Cable harness kit Power supply cab	365

Driving & side direction lights, number plate light, option

Driving & side direction lights, number plate light, option	367
Steering column switch module	369
Cable harness kit	371
Registration plate light module	373
Registration plate light	375
Holder, Registration plate light	377
Reversing light module	379

DCA/GPS equipment module, option

DCA/GPS equipment module, option	381
Holder	383
GPS equipment module	385
GPS equipment assy	387
Computer	389

Tachograph, option

Tachograph, option	391
Holder assy	393
Power supply module	395

Speed sensor, frequency sensor, option

Speed sensor, frequency sensor, option	397
Pulse sensor module (6-pol)	399

Pre-heater installation, option

Pre-heater installation, option	401
Heater	403

Rotating beacon, working light, option

Rotating beacon, working light, option	405
Rotating beacon module	407
Bracket, Rotating beacon	409
Working light module H3	411
Cable harness, emergency steering, option	413

Displacement shift	415
--------------------------	-----

Compaction meter, option

Compaction meter, option	417
Power supply	419
External emergency stop, option	421

Drivers platform

Platform, rops

Platform, rops	423
----------------------	-----

4812120545 Platform with 4-post ROPS

4812120545 Platform with 4-post ROPS	425
Basic kit Rops, roof, front handrail	427
Rear cover	429
Handrail	431
Cab, basic kit	433
Manual box	435
Decals basic kit	437

Cab symmetric module

Cab symmetric module	439
----------------------------	-----

4812119366 Cab, cpl Comfort

4812119366 Cab, cpl Comfort	441
Screens	443
4812115202 Cab door, cpl	445
4812115200 Sliding screen, left hand	447
Windshield wiper	449
Roof	451
Heater assy	453
Hose kit heater	455
Cab Interior	457
Heater controls	459
Cab cable harness	461
Cab, electrical equipment	463
Emergency hammer, hook	465
Cab, rear cover	467
Cab, front cover	469
Floor mat	471
Step light, front wiper switches	473
Cab, basic kit	See page 433
Air channel	475
Sun-blind, inner light	477

4812119367 Cab, cpl Basic

4812119367 Cab, cpl Basic	479
Screens	See page 443
4812115202 Cab door, cpl	See page 445
4812115200 Sliding screen, left hand	See page 447
Windshield wiper	See page 449
Hose kit heater	See page 455
Roof	See page 451
Heater assy	See page 453
Cab cable harness	See page 461
Cab, electrical equipment	See page 463
Cab Interior	See page 457
Heater controls	See page 459
Emergency hammer, hook	See page 465
Cab, rear cover	481
Cab, front cover	483
Wiper switch, front	485
Cab, basic kit	See page 433

Manual box	See page 435
Decals basic kit	See page 437
Car stereo module, option	487
Rear view mirror	489

Drivers seat

Drivers seat	491
Seat frame structure	493
4700391163 Steering column	495
Floor cassette module	497
Control module	499
Seat comfort, fabric suspended	501
Seat, galon suspended	503
Forward reverse control module	505

Seat belts

Seat belt 2"	509
Seat belt 3"	511
Seat belt 2" with reminder	513
Seat belt 3" with reminder	515
Display unit	517
Control panel cover	519
Reading light	521
Seat frame adapter module, rotating	523
Seat frame adapter module, fixed	525
Heater hoses	527

Decals

Decals	529
Decals	533
Plain Dynapac decals, kit	535

Optional equipment

Air conditioning

Air conditioning	537
Drying filter module	539
4812114257 Drying filter assy	541
Condensor assembly	543
ACC module	545
4812113624 ACC kit	547
AC module	549
4812113623 Evaporator, cpl	551
Hose kit AC	553
Compressor module	555
Hose assy kit for AC	557

Strike off blade kit

Strike of blade kit	559
Hydraulic and Electrical kit	561
4812113498 Hydraulic valve, Strike-off blade	563
4812121948 Hydraulic cylinder	565
Strike off blade, mount	567
Locking device, module	569
Indicator, module	571

Fire extinguisher/First Aid Cushion

Fire extinguisher/First Aid Cushion	573
Fire extinguisher	575

Level sensor module, option

Level sensor module, option	577
-----------------------------	-----

SMV-sign

SMV-sign 579

Cooling box module

Cooling box module 581

Lunch box

Lunch box 583

Dyn@Link module 585

4812013038 GPS module 587

Compaction meter (DCM) 589

Dyn@lyzer 591

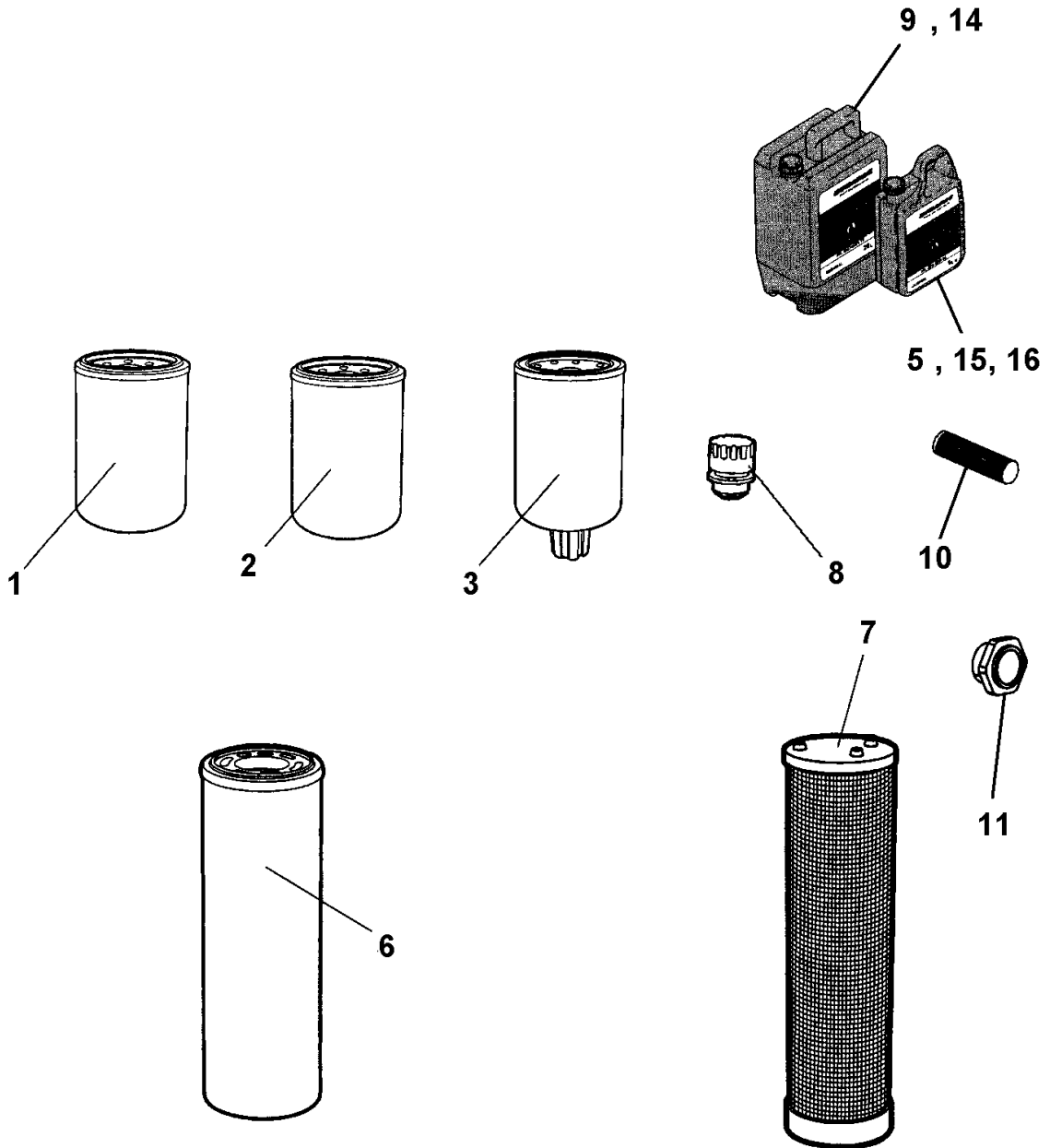
Appendix B:Parts Index 593

CA2500D/PD (IIIA/T3) SN 10000137xxA012943 -



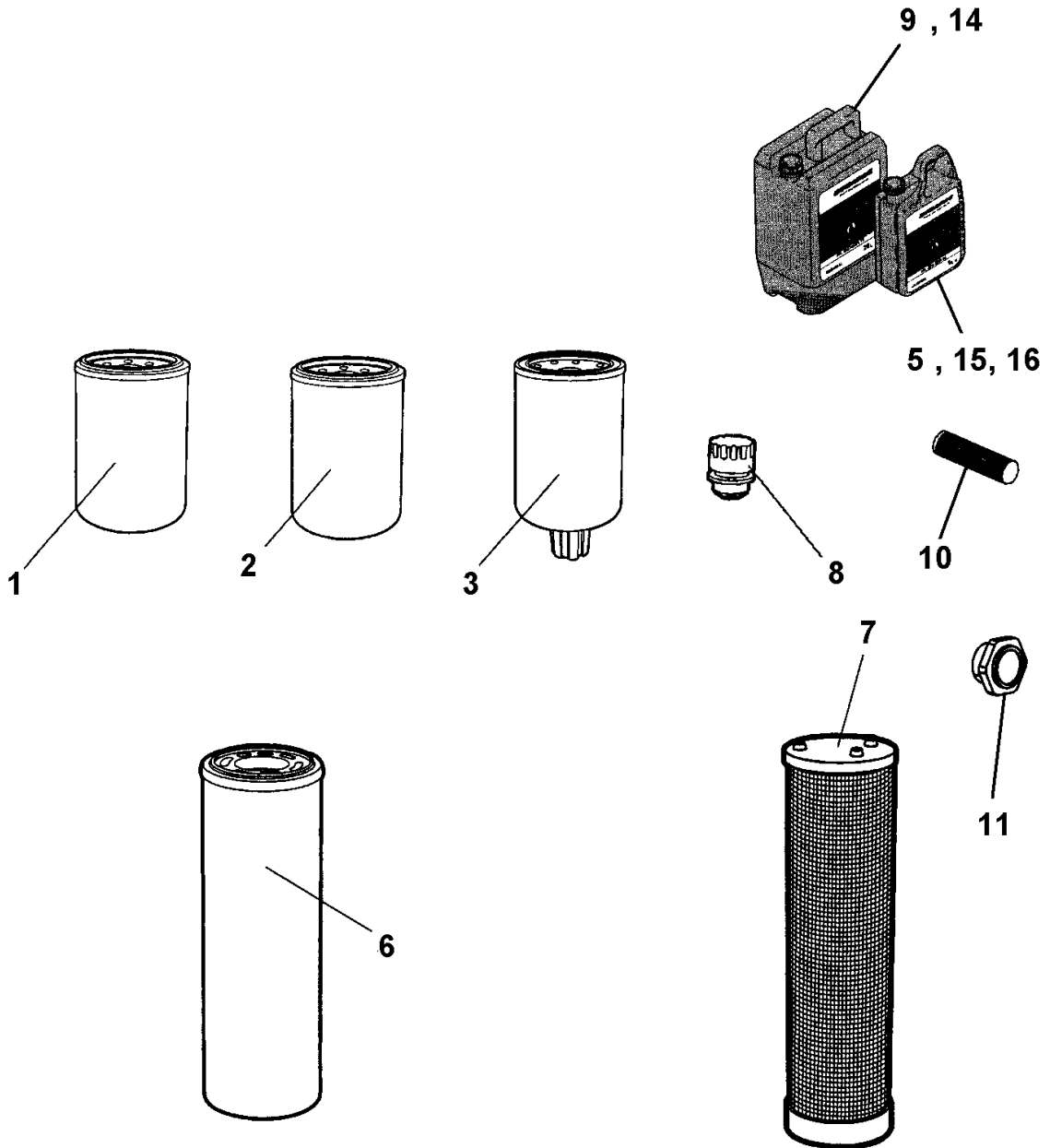
Item	Part No.	Name	Qty	L	SN INFO
1	-	Service kits	1		
2	-	Repair kits	1		
10	-	Frame	1		
20	-	Drum	1		
30	-	Engine	1		
40	-	Transmission	1		
50	-	Hydraulic system	1		
60	-	Electrical Equipment	1		
70	-	Drivers platform	1		
80	-	Decals	1		
91	-	Optional equipment	1		

Service kits, non-remote engine oil filter 4812156993 Service kit, 50h Plus



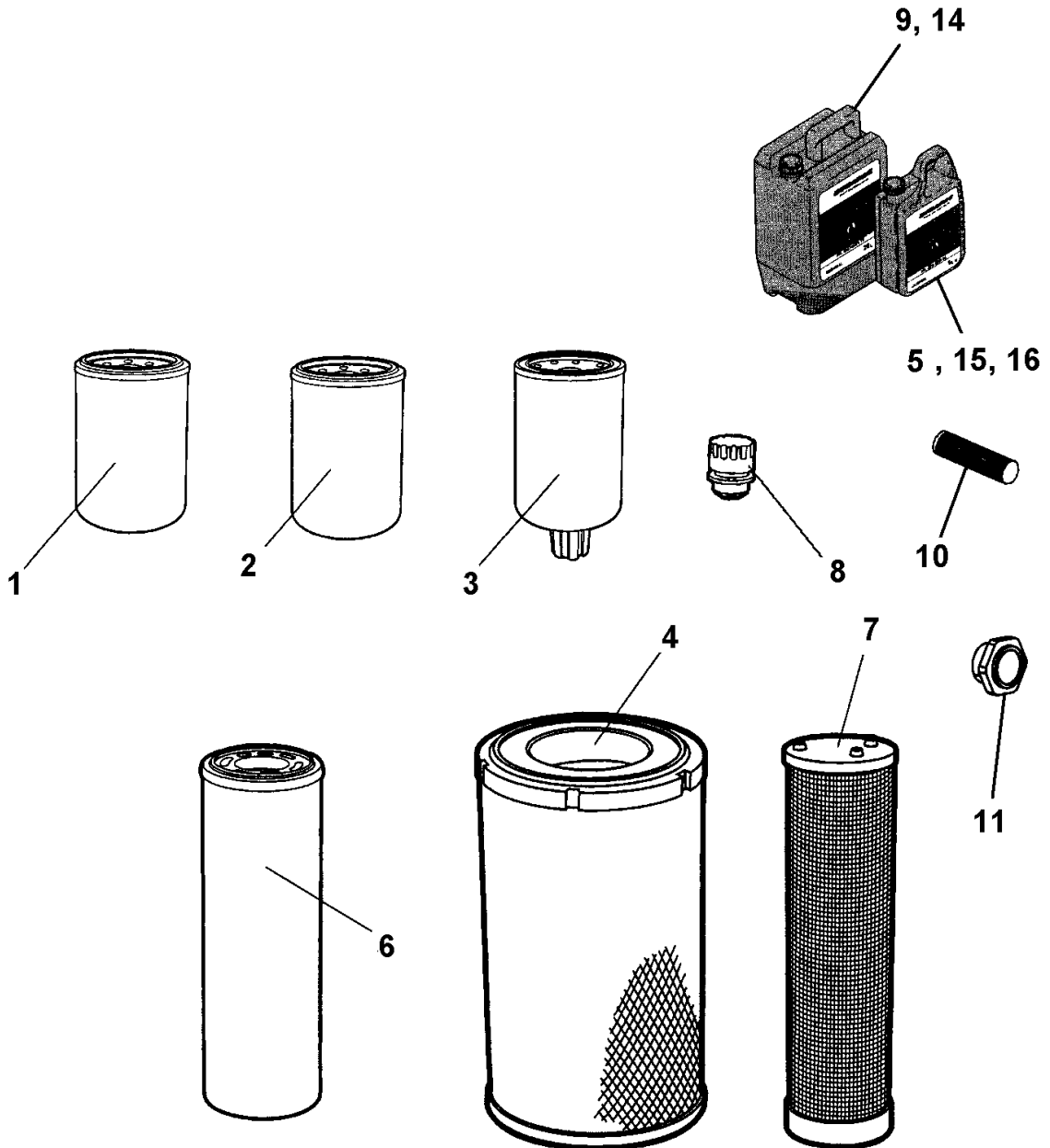
Item	Part No.	Name	Qty	L	SN INFO
-	4812156993	Service kit, 50h Plus			
6	4812112262	Hydraulic oil filter element	1		
15	4812161887	Dynapac Drum oil 1000 / 5 ltr.	1		
16	4812161883	Dynapac Gear Oil 300 / 5 ltr.	1		

Service kits, non-remote engine oil filter 4812159996 Service kit, 50h Plus Limited slip Rear axle



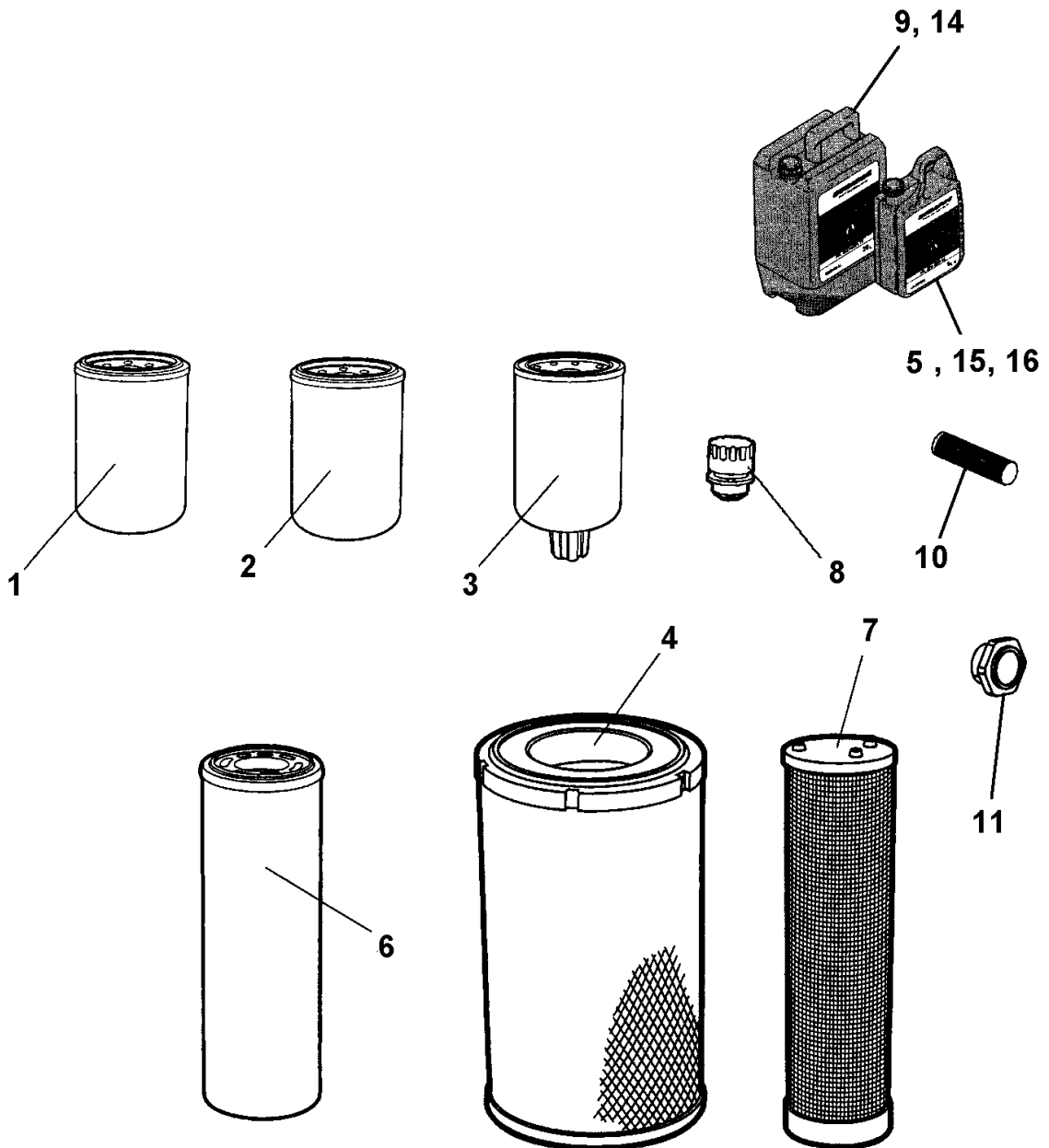
Item	Part No.	Name	Qty	L	SN INFO
-	4812159996	Service kit, 50h Plus Limited slip Rear axle			
6	4812112262	Hydraulic oil filter element	1		
14	4812161884	Dynapac Gear oil 300 / 20 ltr.	1		
15	4812161887	Dynapac Drum oil 1000 / 5 ltr.	1		
16	4812161883	Dynapac Gear Oil 300 / 5 ltr.	1		

Service kits, non-remote engine oil filter 4812160173 Service kit, 500h Plus Cummins QSB 4.5



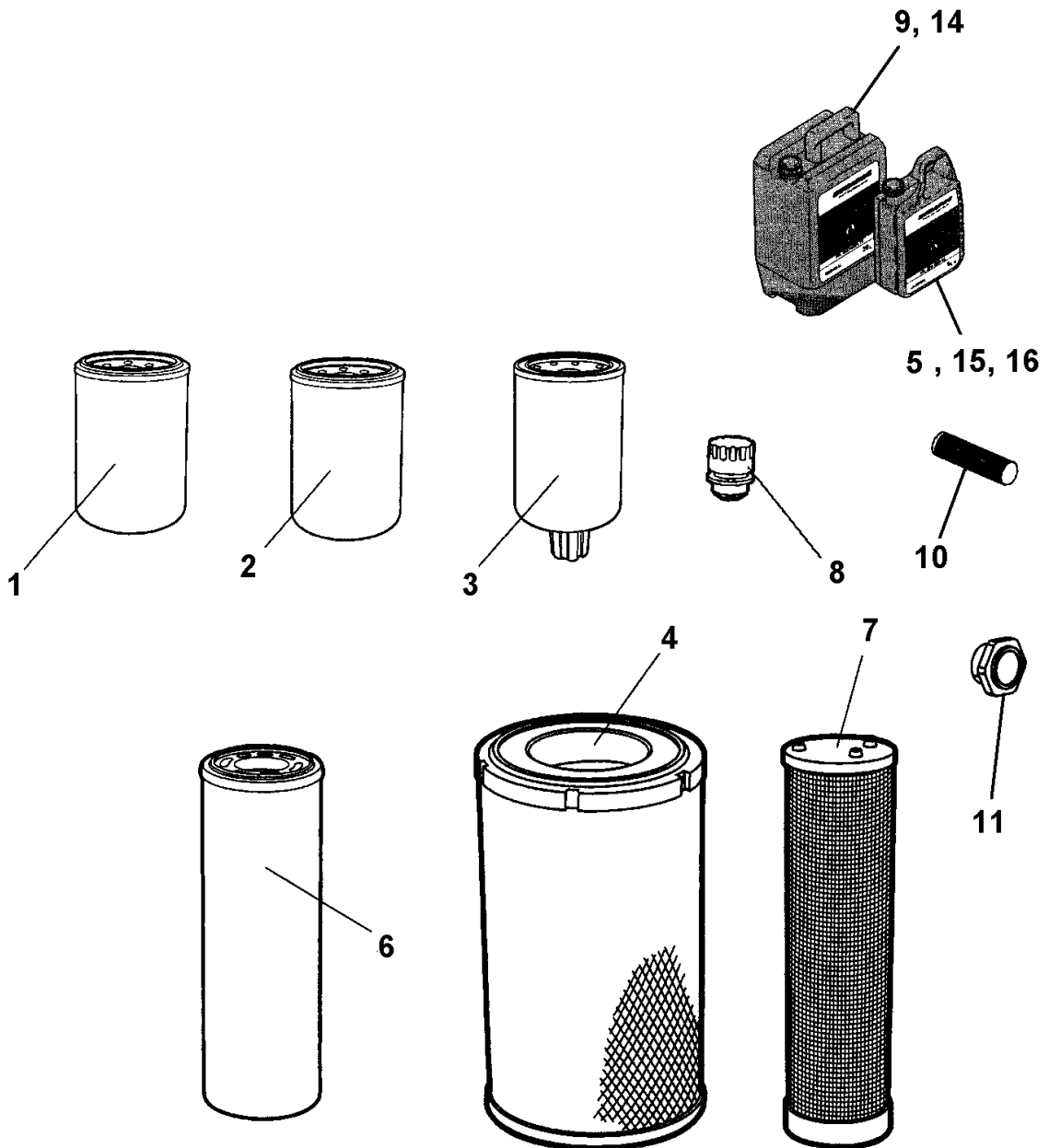
Item	Part No.	Name	Qty	L	SN INFO
-	4812160173	Service kit, 500h Plus Cummins QSB 4.5			
1	4700945145	Oil filter element	1		
2	4700945624	Filter, fuel	1		
3	4700945147	Fuel prefilter	1		
4	4700394686	Air filter, main	1		
5	4812161855	Dynapac Engine Oil 200 / 5 ltr.	3		

Service kits, non-remote engine oil filter 4812160172 Service kit, 500h Cummins QSB 4.5



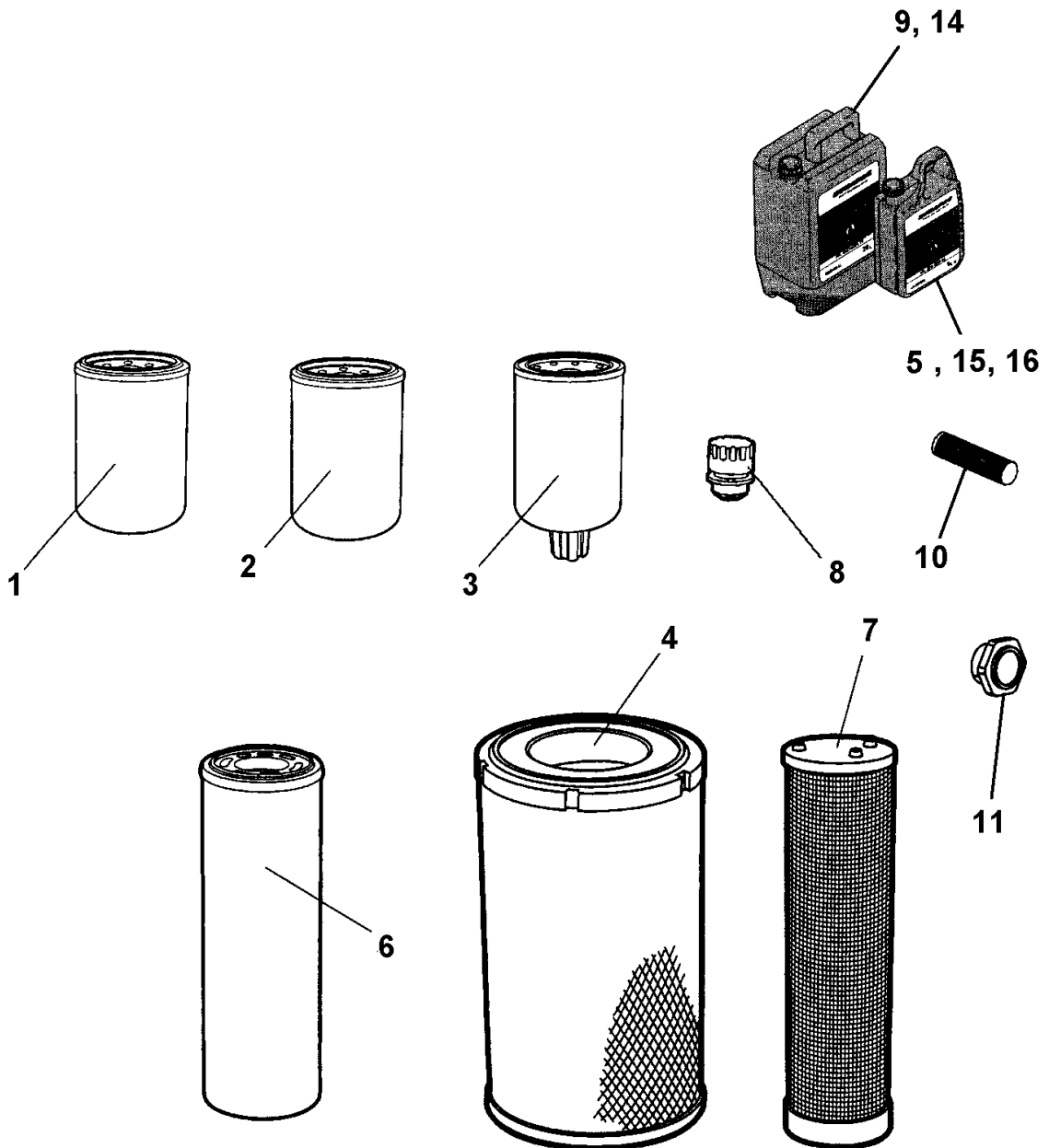
Item	Part No.	Name	Qty	L	SN INFO
-	4812160172	Service kit, 500h Cummins QSB 4.5			
1	4700945145	Oil filter element	1		
2	4700945624	Filter, fuel	1		
3	4700945147	Fuel prefilter	1		
4	4700394686	Air filter, main	1		

Service kits, non-remote engine oil filter 4812160175 Service kit, 1000h Plus Cummins QSB 4.5



Item	Part No.	Name	Qty	L	SN INFO
-	4812160175	Service kit, 1000h Plus Cummins QSB 4.5			
1	4700945145	Oil filter element	1		
2	4700945624	Filter, fuel	1		
3	4700945147	Fuel prefilter	1		
4	4700394686	Air filter, main	1		
5	4812161855	Dynapac Engine Oil 200 / 5 ltr.	3		
6	4812112262	Hydraulic oil filter element	1		
7	4700394687	Air filter, safety	1		
8	4700357138	Ventilating filter	1		
9	4812161884	Dynapac Gear oil 300 / 20 ltr.	1		
10	4812030096	Dynapac Roller Grease	1		
16	4812161883	Dynapac Gear Oil 300 / 5 ltr.	1		

Service kits, non-remote engine oil filter 4812160174 Service kit, 1000h Cummins QSB 4.5



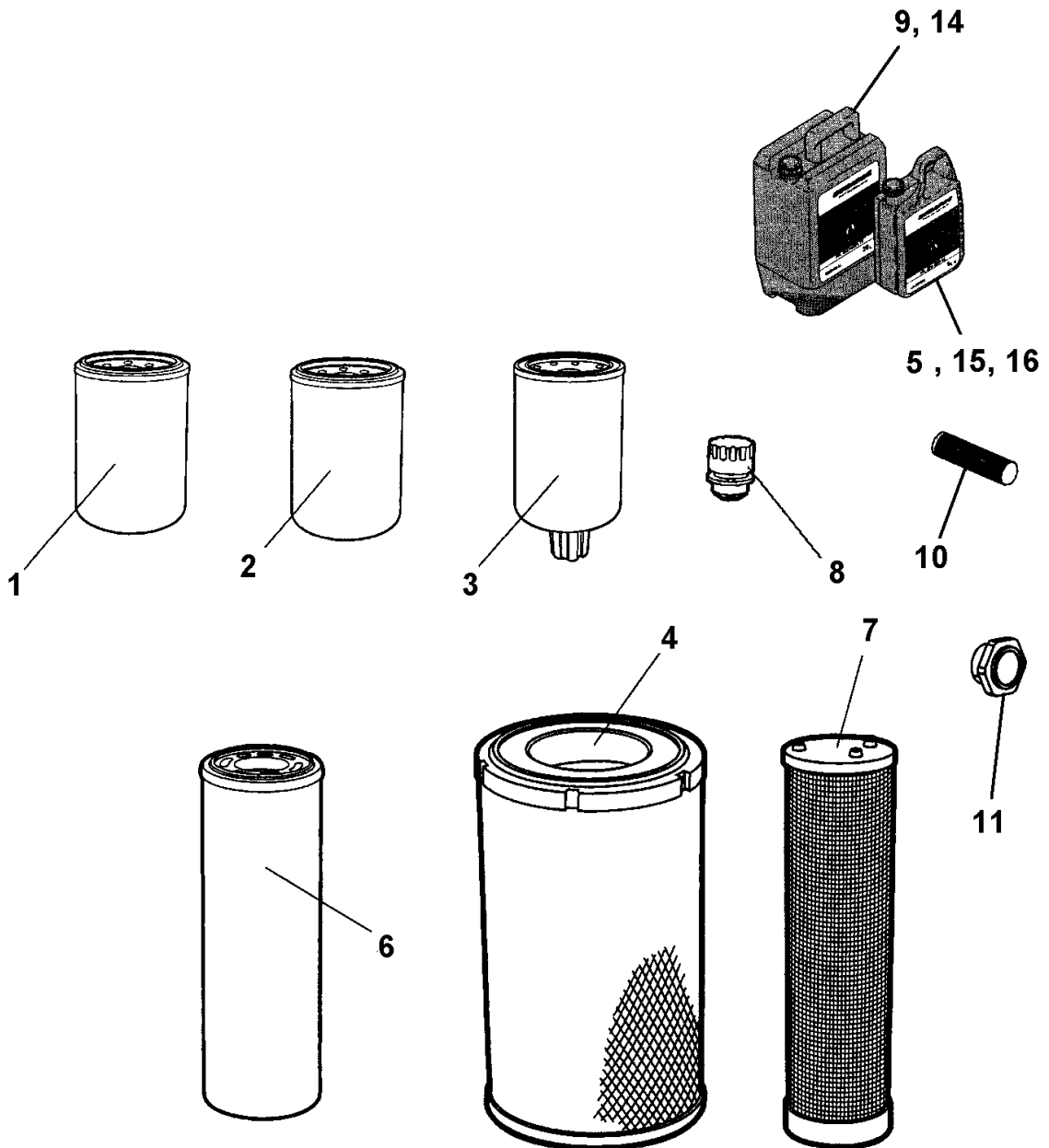
Item	Part No.	Name	Qty	L	SN INFO
-	4812160174	Service kit, 1000h Cummins QSB 4.5			
1	4700945145	Oil filter element	1		
2	4700945624	Filter, fuel	1		
3	4700945147	Fuel prefilter	1		
4	4700394686	Air filter, main	1		
6	4812112262	Hydraulic oil filter element	1		
7	4700394687	Air filter, safety	1		
8	4700357138	Ventilating filter	1		

Service kits, non-remote engine oil filter 4812160178 Start up kit Cummins QSB 4.5

NO EXPLODED VIEW
AVAILABLE
FOR THIS BOM

Item	Part No.	Name	Qty	L	SN INFO
-	4812160178	Start up kit Cummins QSB 4.5			
1	4812156993	Service kit, 50h Plus	1		
2	4812160173	Service kit, 500h Plus Cummins QSB 4.5	1		
3	4812160175	Service kit, 1000h Plus Cummins QSB 4.5	1		

Service kits, non-remote engine oil filter 4812160177 Service kit, 2000h Plus Cummins QSB 4.5

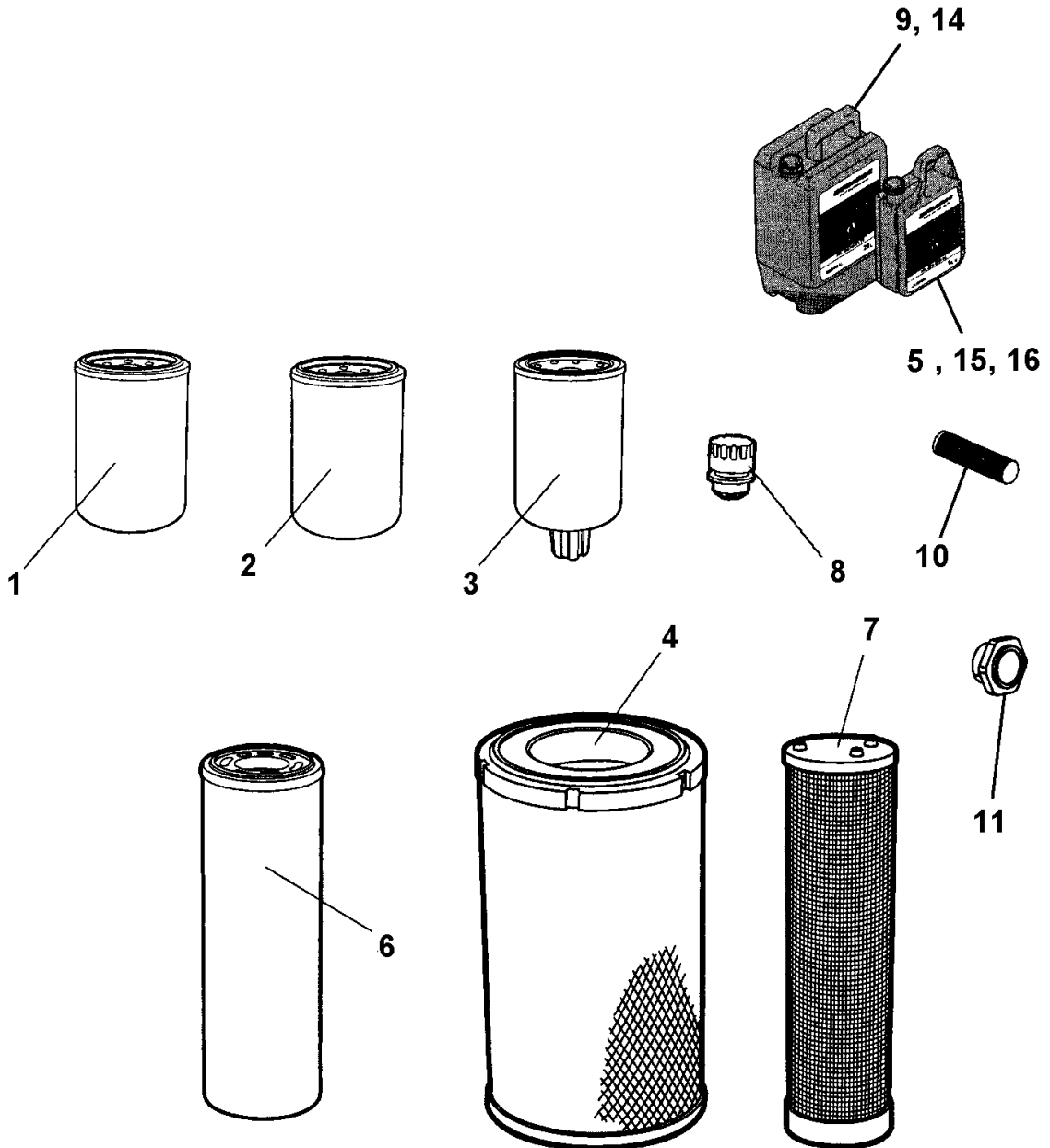


Refer to Parts Online for the most up to date information. The printed information might be outdated.

Wed Nov 14 15:02:33 UTC 2018

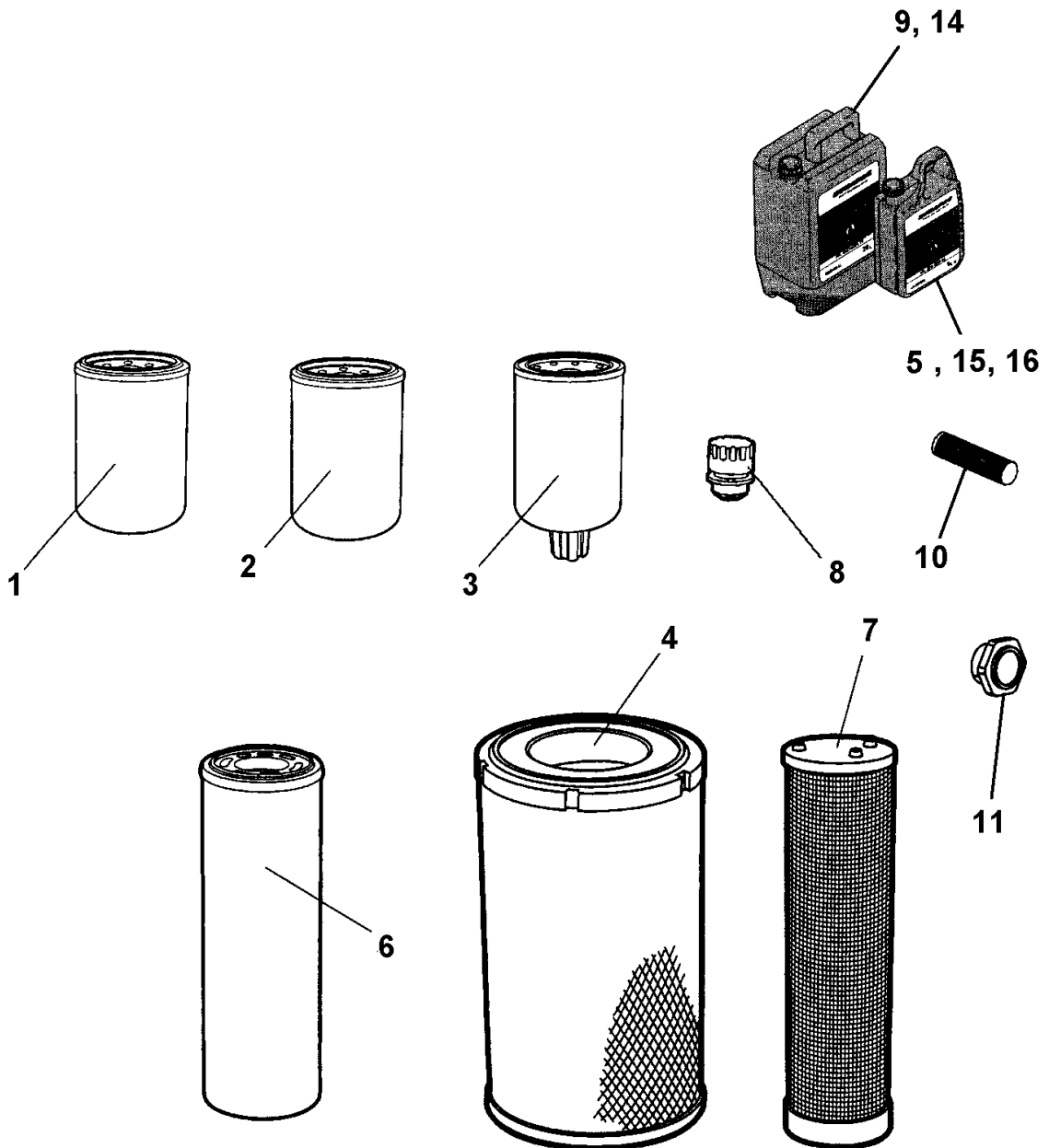
Item	Part No.	Name	Qty	L	SN INFO
-	4812160177	Service kit, 2000h Plus Cummins QSB 4.5			
1	4700945145	Oil filter element	1		
2	4700945624	Filter, fuel	1		
3	4700945147	Fuel prefilter	1		
4	4700394686	Air filter, main	1		
5	4812161855	Dynapac Engine Oil 200 / 5 ltr.	3		
6	4812112262	Hydraulic oil filter element	1		
7	4700394687	Air filter, safety	1		
8	4700357138	Ventilating filter	1		
9	4812161884	Dynapac Gear oil 300 / 20 ltr.	1		
10	4812030096	Dynapac Roller Grease	1		
11	4812118814	Oil level glass	2		
14	4812161868	Dynapac Hydraulic 300 / 20 ltr	3		
15	4812161887	Dynapac Drum oil 1000 / 5 ltr.	1		
16	4812161883	Dynapac Gear Oil 300 / 5 ltr.	1		

Service kits, non-remote engine oil filter 4812160176 Service kit, 2000h Cummins QSB 4.5



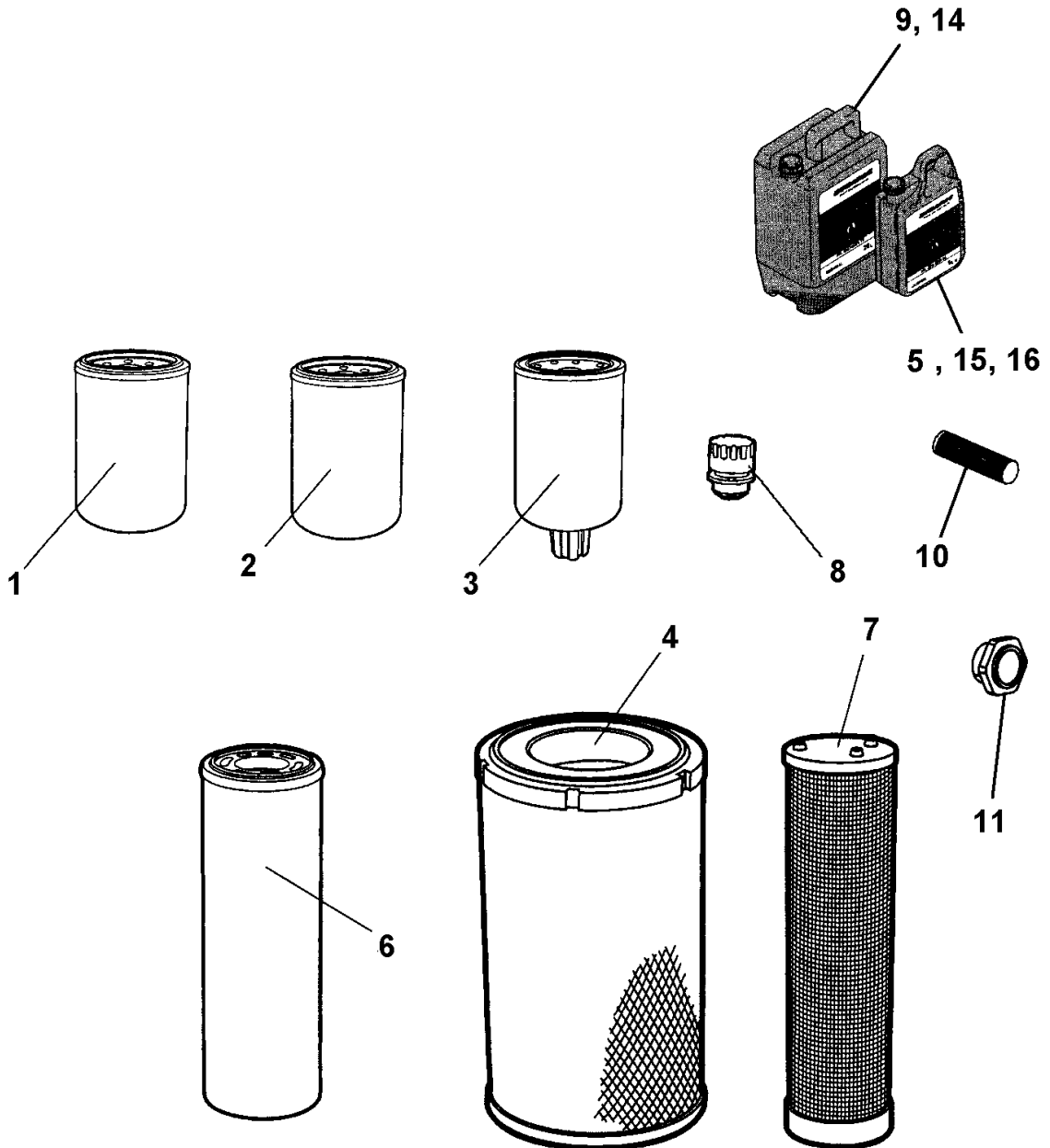
Item	Part No.	Name	Qty	L	SN INFO
-	4812160176	Service kit, 2000h Cummins QSB 4.5			
1	4700945145	Oil filter element	1		
2	4700945624	Filter, fuel	1		
3	4700945147	Fuel prefilter	1		
4	4700394686	Air filter, main	1		
6	4812112262	Hydraulic oil filter element	1		
7	4700394687	Air filter, safety	1		
8	4700357138	Ventilating filter	1		
11	4812118814	Oil level glass	2		

Service kits, remote engine oil filter 4812158281 Service kit, 500h Plus Cummins QSB 4.5



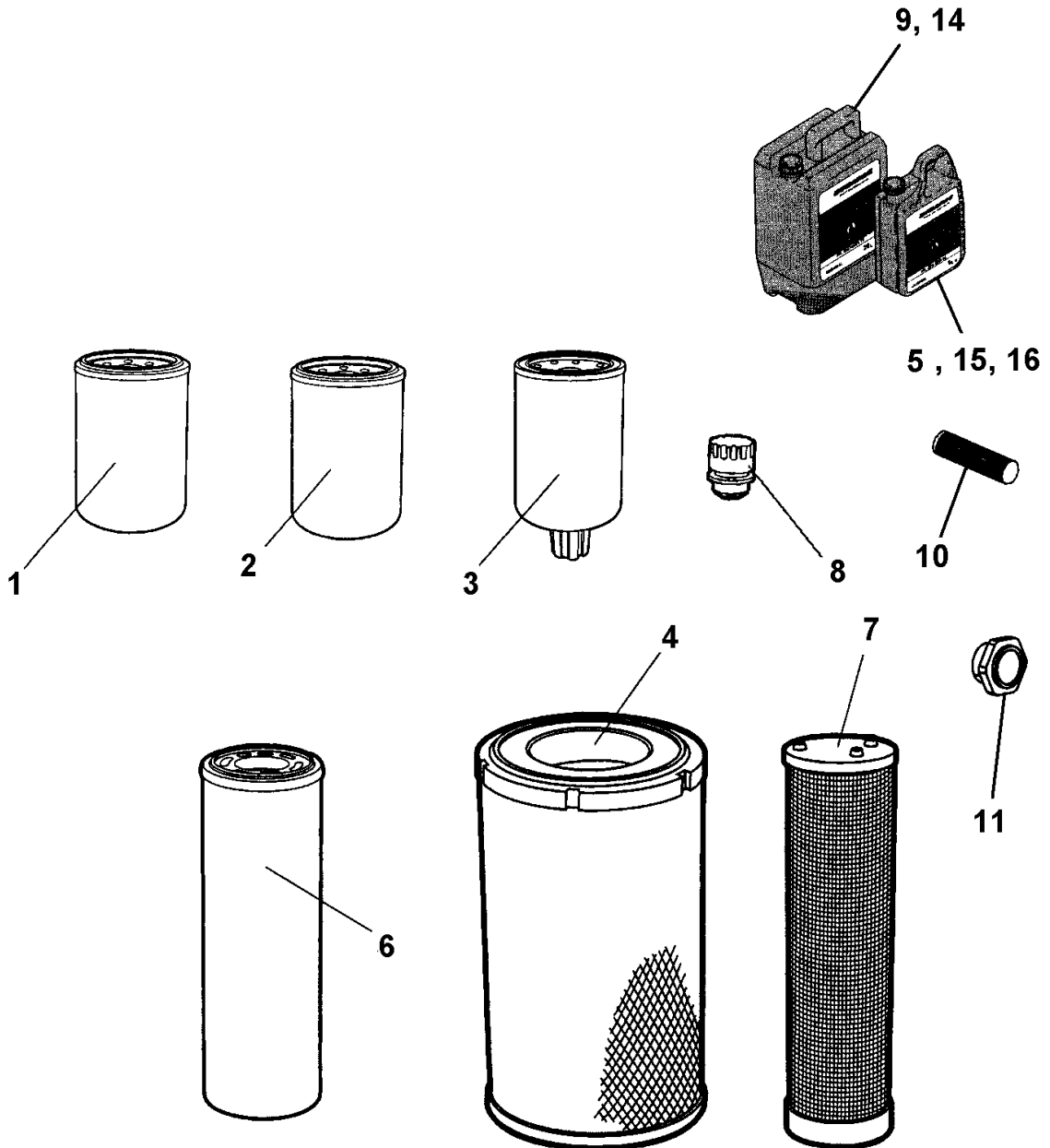
Item	Part No.	Name	Qty	L	SN INFO
-	4812158281	Service kit, 500h Plus Cummins QSB 4.5			
1	4700939082	Oil filter	1		
2	4700945624	Filter, fuel	1		
3	4700945147	Fuel prefilter	1		
4	4700394686	Air filter, main	1		
5	4812161855	Dynapac Engine Oil 200 / 5 ltr.	3		

Service kits, remote engine oil filter 4812158369 Service kit, 500h Cummins QSB 4.5



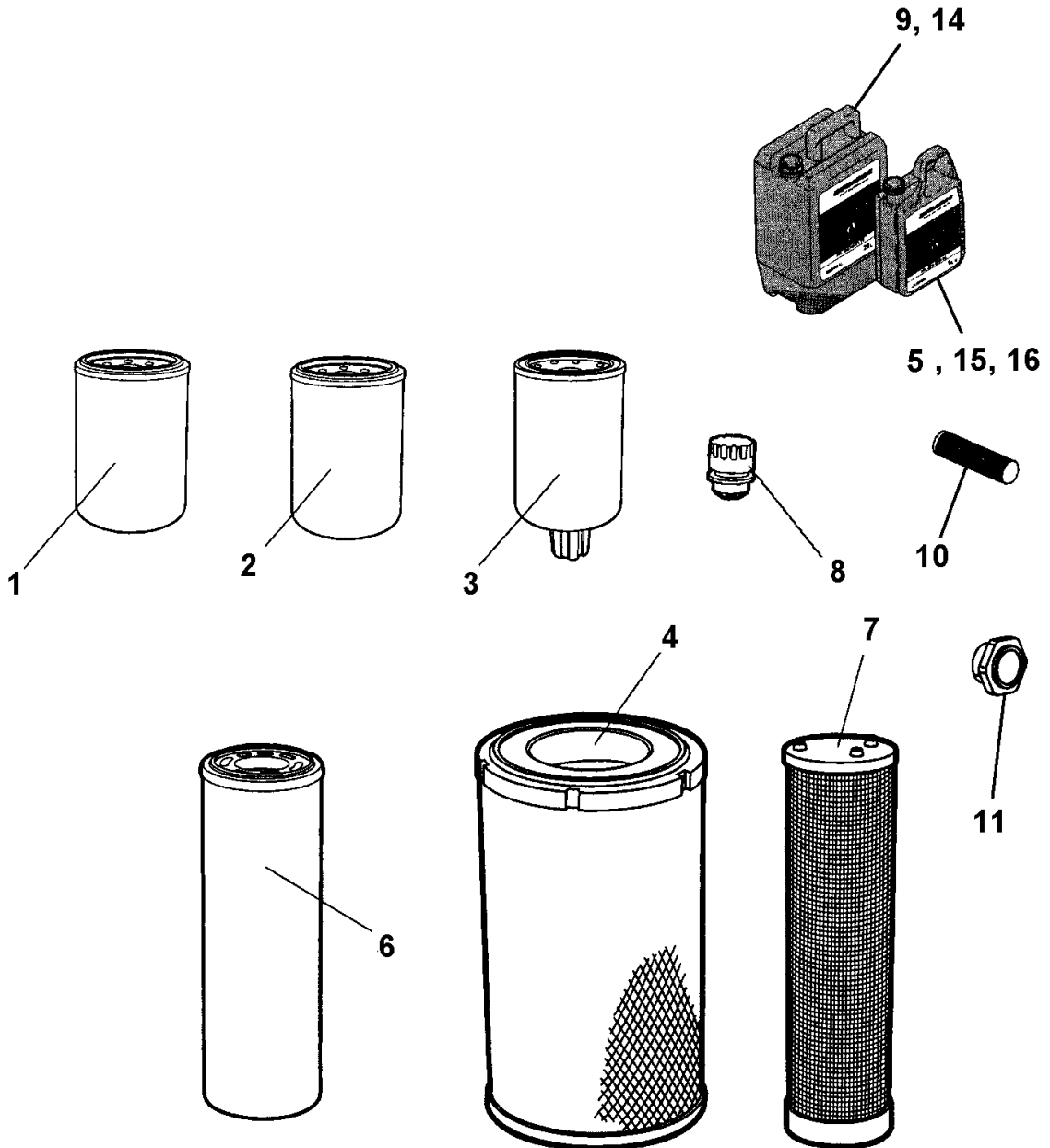
Item	Part No.	Name	Qty	L	SN INFO
-	4812158369	Service kit, 500h Cummins QSB 4.5			
1	4700939082	Oil filter	1		
2	4700945624	Filter, fuel	1		
3	4700945147	Fuel prefilter	1		
4	4700394686	Air filter, main	1		

Service kits, remote engine oil filter 4812158282 Service kit, 1000h Plus Cummins QSB 4.5



Item	Part No.	Name	Qty	L	SN INFO
-	4812158282	Service kit, 1000h Plus Cummins QSB 4.5			
1	4700939082	Oil filter	1		
2	4700945624	Filter, fuel	1		
3	4700945147	Fuel prefilter	1		
4	4700394686	Air filter, main	1		
5	4812161855	Dynapac Engine Oil 200 / 5 ltr.	3		
6	4812112262	Hydraulic oil filter element	1		
7	4700394687	Air filter, safety	1		
8	4700357138	Ventilating filter	1		
9	4812161884	Dynapac Gear oil 300 / 20 ltr.	1		
10	4812030096	Dynapac Roller Grease	1		
16	4812161883	Dynapac Gear Oil 300 / 5 ltr.	1		

Service kits, remote engine oil filter 4812158283 Service kit, 1000h Cummins QSB 4.5



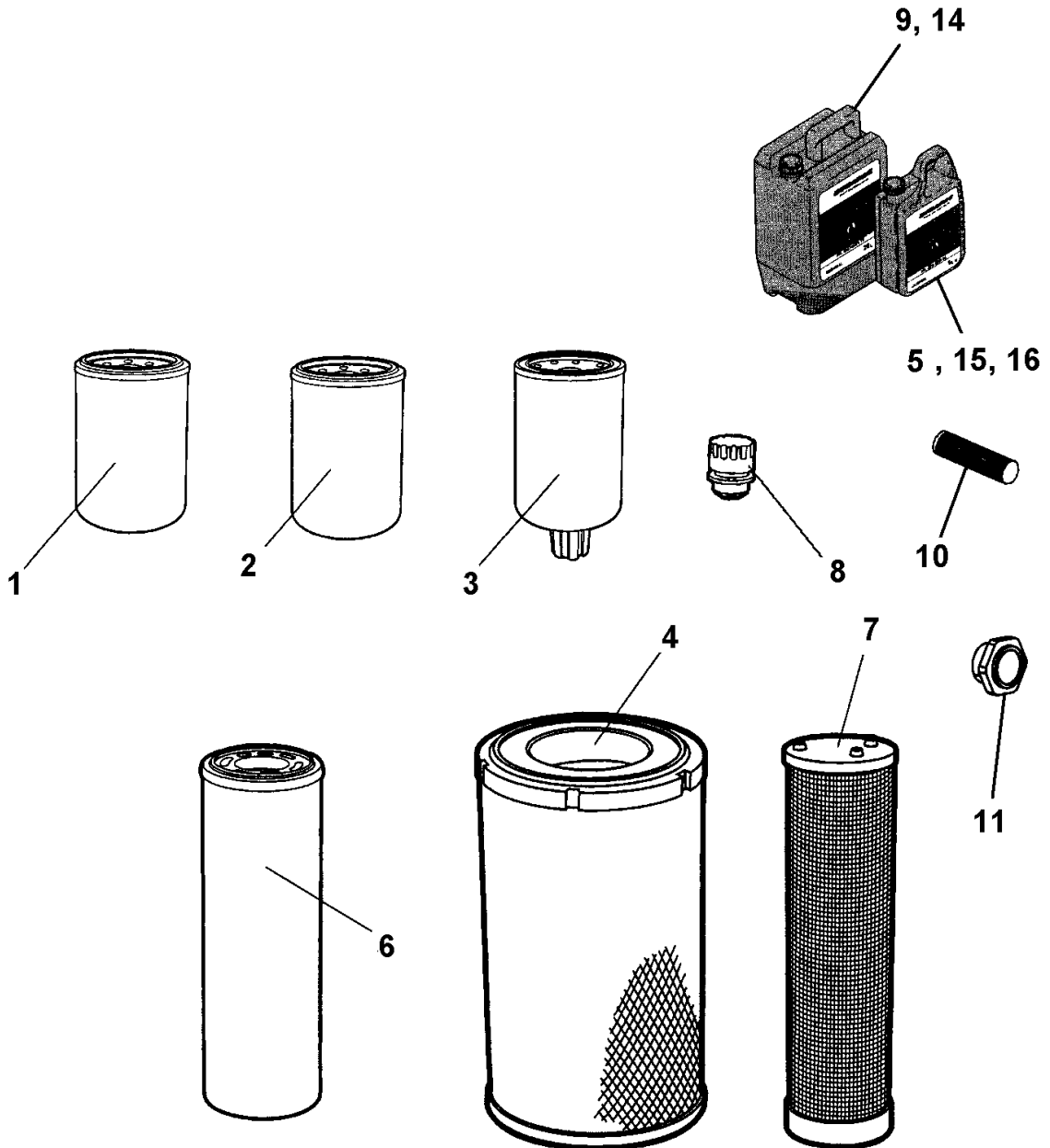
Item	Part No.	Name	Qty	L	SN INFO
-	4812158283	Service kit, 1000h Cummins QSB 4.5			
1	4700939082	Oil filter	1		
2	4700945624	Filter, fuel	1		
3	4700945147	Fuel prefilter	1		
4	4700394686	Air filter, main	1		
6	4812112262	Hydraulic oil filter element	1		
7	4700394687	Air filter, safety	1		
8	4700357138	Ventilating filter	1		

Service kits, remote engine oil filter 4812158370 Start up kit Cummins QSB 4.5

NO EXPLODED VIEW
AVAILABLE
FOR THIS BOM

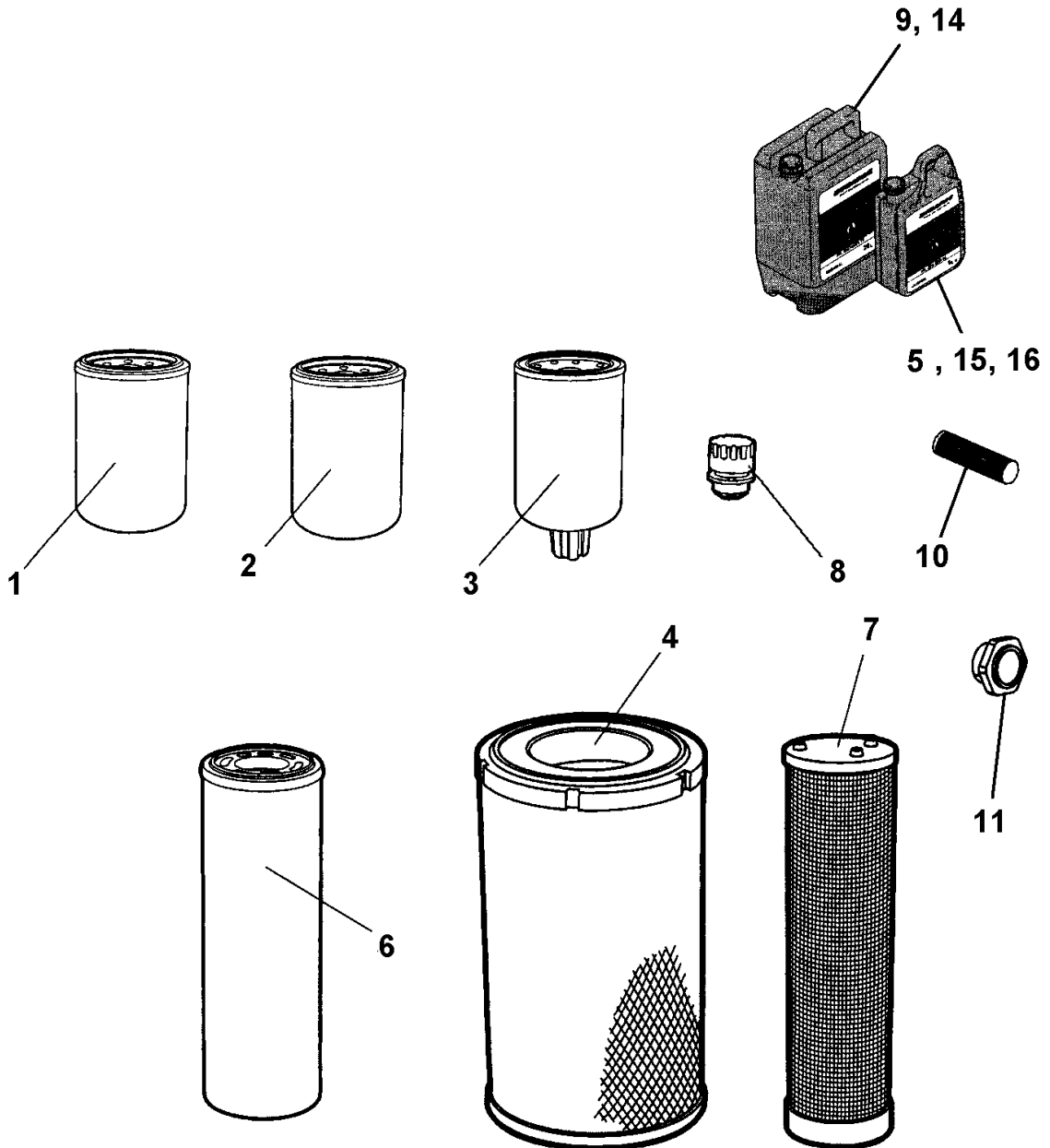
Item	Part No.	Name	Qty	L	SN INFO
-	4812158370	Start up kit Cummins QSB 4.5			
1	4812156993	Service kit, 50h Plus	1		
2	4812158281	Service kit, 500h Plus Cummins QSB 4.5	1		
3	4812158282	Service kit, 1000h Plus Cummins QSB 4.5	1		

Service kits, remote engine oil filter 4812158582 Service kit, 2000h Plus Cummins QSB 4.5



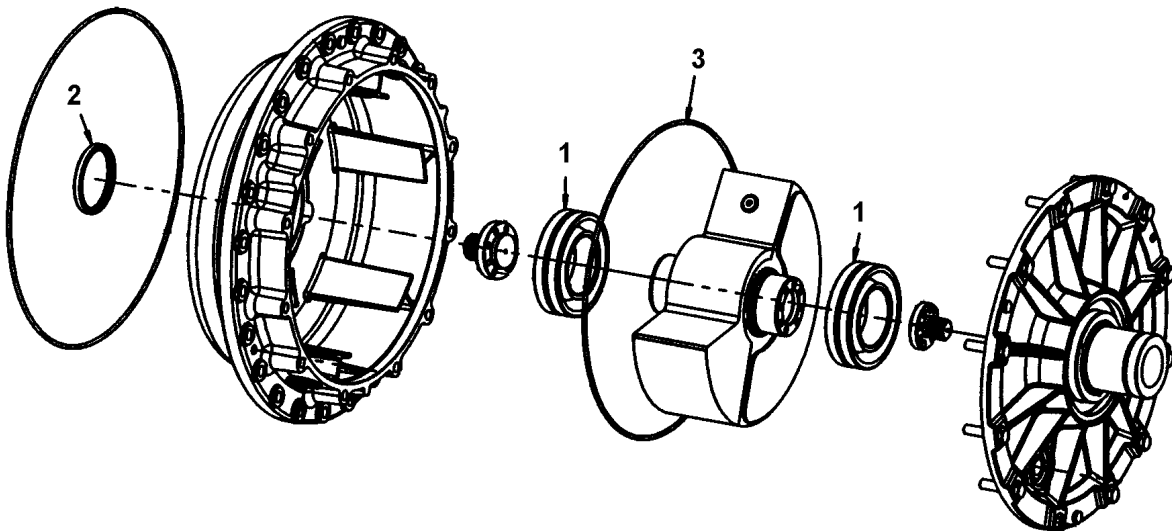
Item	Part No.	Name	Qty	L	SN INFO
-	4812158582	Service kit, 2000h Plus Cummins QSB 4.5			
1	4700939082	Oil filter	1		
2	4700945624	Filter, fuel	1		
3	4700945147	Fuel prefilter	1		
4	4700394686	Air filter, main	1		
5	4812161855	Dynapac Engine Oil 200 / 5 ltr.	3		
6	4812112262	Hydraulic oil filter element	1		
7	4700394687	Air filter, safety	1		
8	4700357138	Ventilating filter	1		
9	4812161884	Dynapac Gear oil 300 / 20 ltr.	1		
10	4812030096	Dynapac Roller Grease	1		
11	4812118814	Oil level glass	2		
14	4812161868	Dynapac Hydraulic 300 / 20 ltr	3		
15	4812161887	Dynapac Drum oil 1000 / 5 ltr.	1		
16	4812161883	Dynapac Gear Oil 300 / 5 ltr.	1		

Service kits, remote engine oil filter 4812158583 Service kit, 2000h Cummins QSB 4.5



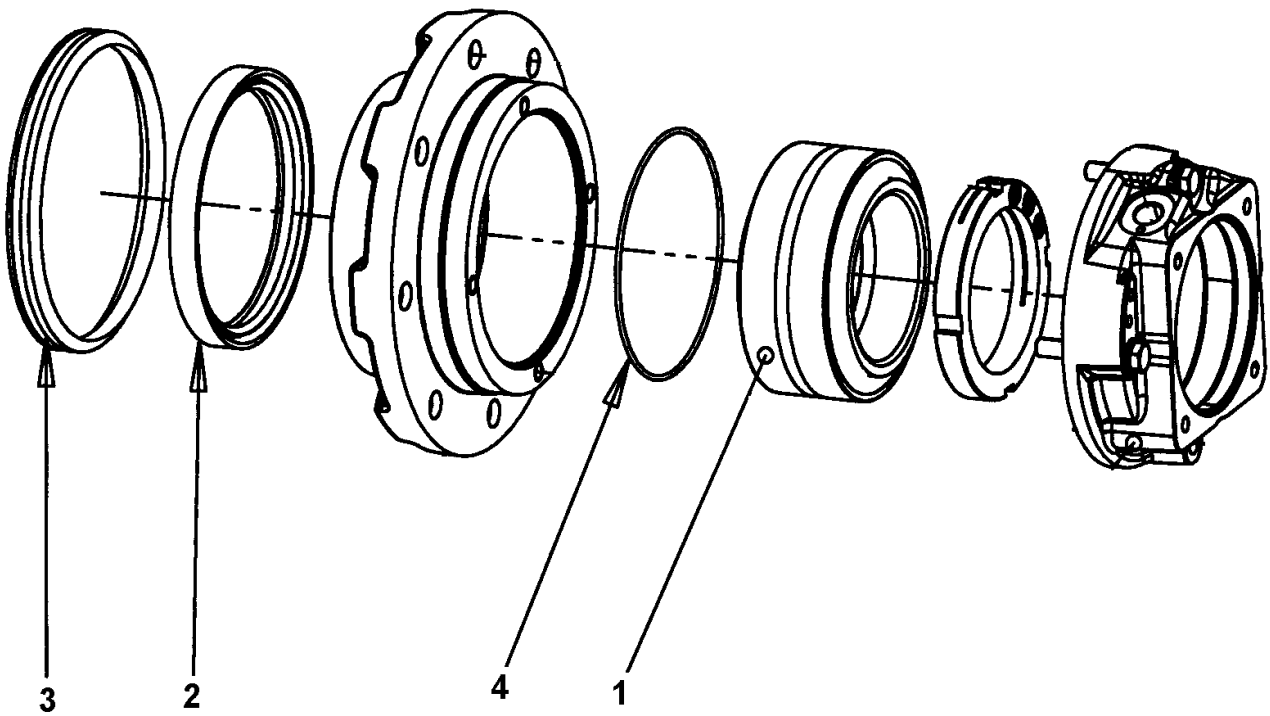
Item	Part No.	Name	Qty	L	SN INFO
-	4812158583	Service kit, 2000h Cummins QSB 4.5			
1	4700939082	Oil filter	1		
2	4700945624	Filter, fuel	1		
3	4700945147	Fuel prefilter	1		
4	4700394686	Air filter, main	1		
6	4812112262	Hydraulic oil filter element	1		
7	4700394687	Air filter, safety	1		
8	4700357138	Ventilating filter	1		
11	4812118814	Oil level glass	2		

Repair kits Eccentric shaft kit



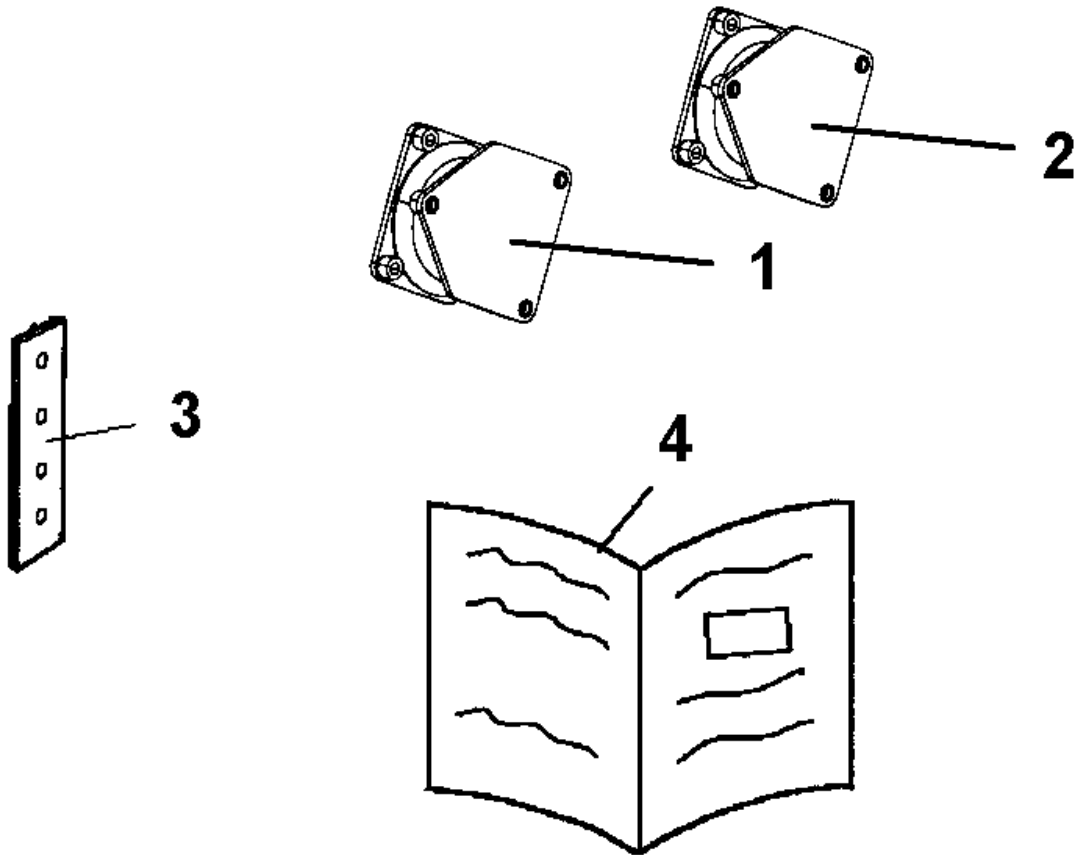
Item	Part No.	Name	Qty	L	SN INFO
0	4700945657	Eccentric shaft kit			
1	4700390896	Spherical roller bearing	2		
2	4812121209	Seal ring	1		
3	4700900776	O-ring	1		

Repair kits 4812157275 Drum rotation kit



Item	Part No.	Name	Qty	L	SN INFO
0	4812157275	Drum rotation kit	1		
1	4700116041	Taper roller bearing	1		
2	4700167023	Seal ring	1		
3	4700929447	V-ring	1		
4	4700160105	O-ring 70	1		

Repair kits 4812158579 Shock absorber kit, drum



Item	Part No.	Name	Qty	L	SN INFO
1	4812119342	Shock absorber	6	A	
2	4812113258	Shock absorber	8	B	
3	4812113168	Shim t = 1 mm	4		
4	4812156170	Instructions	1		

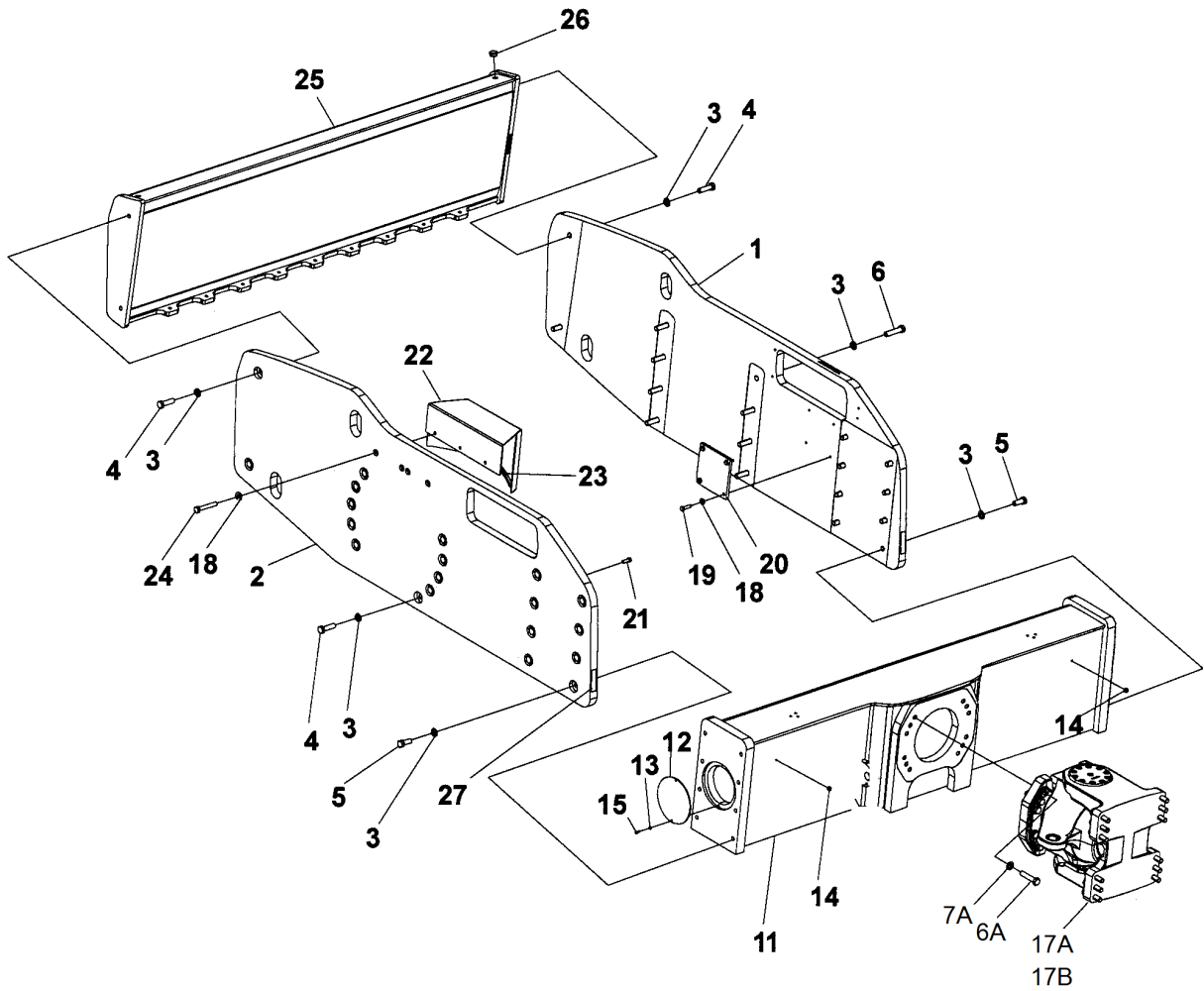
Comments for Page: 4812158579 Shock absorber kit, drum

(L)OCAL REMARKS

A | en_US | Vibration side.

B | en_US | Drive side.

Frame Frame, front



Refer to Parts Online for the most up to date information. The printed information might be outdated.

Wed Nov 14 15:02:36 UTC 2018

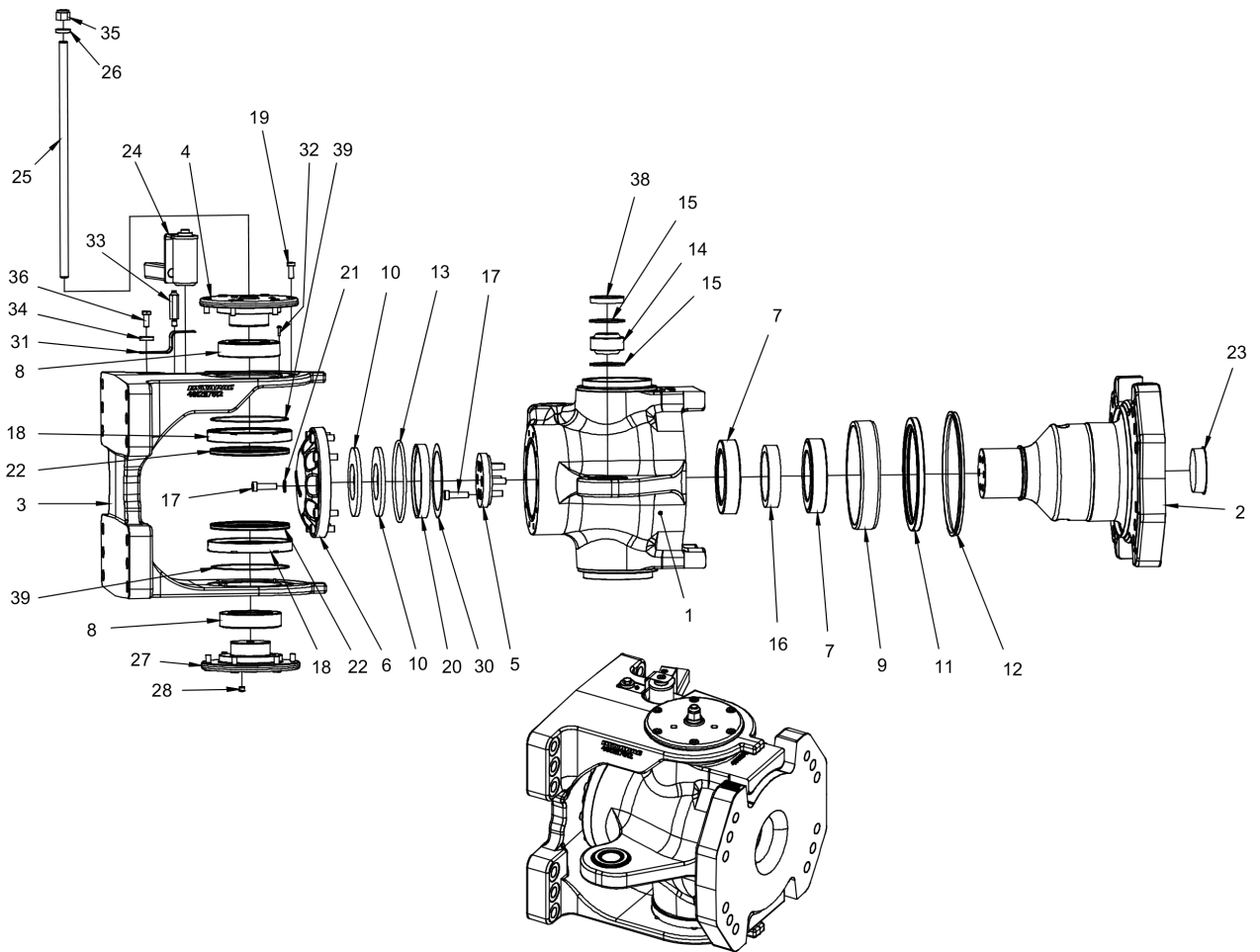
Item	Part No.	Name	Qty	L	SN INFO
1	-	Side plate	1		
2	-	Side plate	1		
3	4700903290	Steel plain washer 21x36x6	38		
4	4700500284	Screw	14		
5	4700927411	Screw	16		
6	4700925208	Screw M20x90	8		
6A	4700925208	Screw M20x90	24		To A016439
7A	4700904233	Steel plain washer 21x36x3	24		To A016439
11	4812121294	Crossbeam	1		
12	4812112162	Cover	2		
13	4700904228	Washer 6,4x12x1,5	4		
14	4700232041	Filter plug	2		
15	4700500013	Screw, M6x16 mm 8.8 A2K	4		
17A	4812117507	Steering hitch, cpl	1		To A016439
17B		Steering hitch module	1		From A016440
18	4700904230	Steel plain washer	11		
19	4700500028	Hex Head screw	4		
20	4812113607	Bracket	2		
21	4700500028	Hex Head screw	4		
22	4812113885	Protective hood	1		
23	4700902166	Edge trim	1XL	E	
24	4700500161	Screw	3		
25	4812113513	Crossbeam	1		
26	4700791396	Protective plug	2		
27	4700377742	Reflector, red	2		

Comments for Page: Frame, front

(L)OCAL REMARKS

E | en_US | L = 0.315m

Steering hitch, To A016439 4812117507 Steering hitch, cpl



Refer to Parts Online for the most up to date information. The printed information might be outdated.

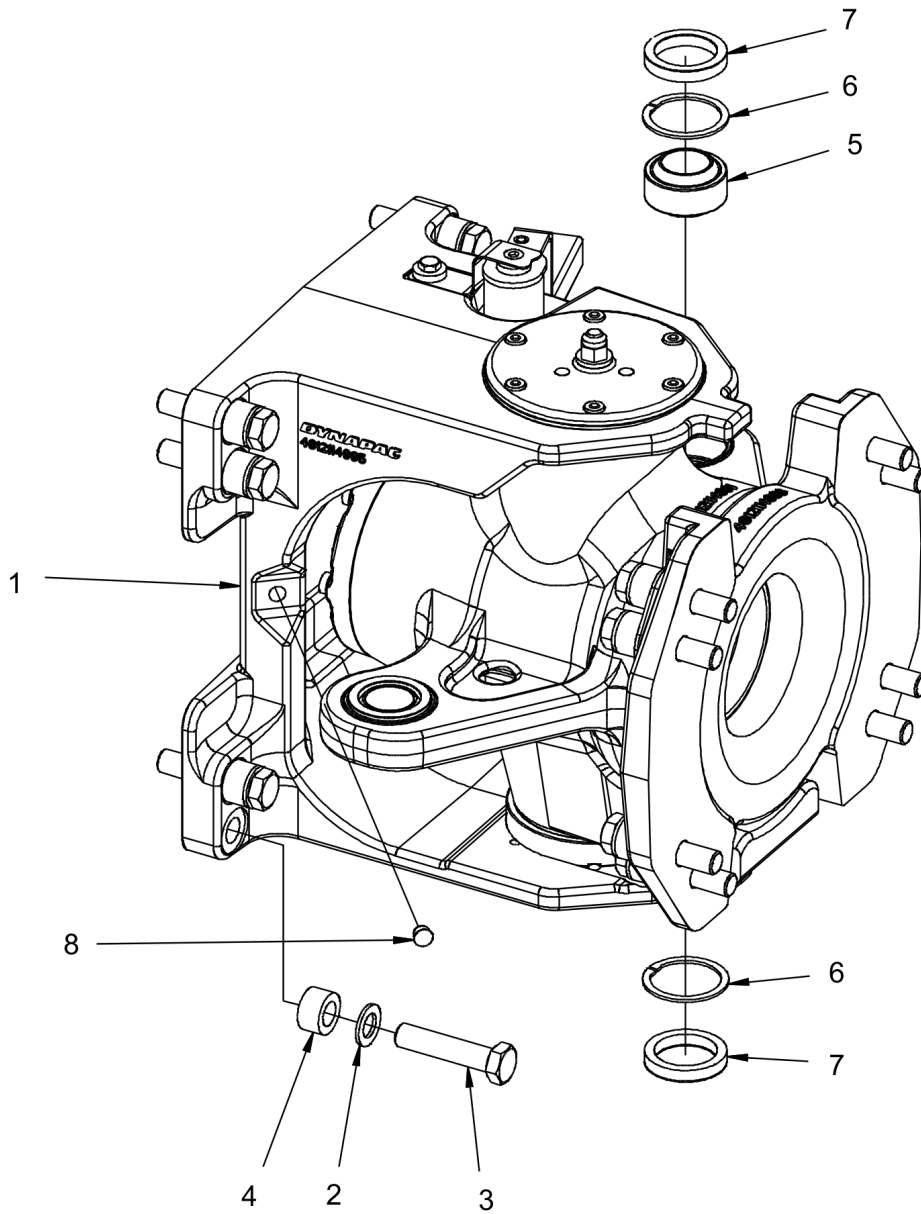
Wed Nov 14 15:02:36 UTC 2018

Item	Part No.	Name	Qty	L	SN INFO
1	4812117508	Yoke	1		
2	4812115392	Shaft	1		
3	4812117512	Holder	1		
4	4812121396	Shaft	1		
5	4812115949	Cover cap	1		
6	4812115950	Cover cap	1		
7	4812116334	Spherical plain bearing	2		
8	4812115467	Spherical plain bearing	2		
9	4812115398	Bushing	1		
10	4812116333	Disc spring	2		
11	4700391031	Radial lip-type seal	1		
12	4700792515	Sealing, v-ring	1		
13	4700160296	O-ring 70	1		
14	4812116821	Radial spherical plain bearing	2		
15	4700151023	Retaining ring	4		
16	4812116340	Spacer washer	1		
17	4700792394	Screw	16		
18	4812121398	Radial seal	2		
19	4812120414	Hexagon socket head cap screw w Tuflok	12		
20	4812115947	Washer	1		
21	4700904231	Washer, 13x24x2 mm 300 HV	10		
22	4812120615	Radial lip-type seal	2		
23	4812116702	Protective plug	1		
24	4812119809	Locking pin cpl	1		
25	4812120618	Threaded stud	1		
26	4700904558	Washer, 17x30x6 mm 300 HV	1		
27	4812121397	Shaft	1		
28	4700792083	Plug	6		
30	4812117530	Shim washer	1		
31	4812121665	Stop plate	1		
32	4812121282	Thread forming screw m	8		
33	4812119807	Holder	1		
34	4700904567	Washer, 10.5x28x6 mm	1		
35	291112842	Prev torq hex nut m	1		
36	4700500028	Hex Head screw	1		
38	4812120661	Sealing strip	2		
39	4812121111	O-ring	2		

Refer to Parts Online for the most up to date information. The printed information might be outdated.

Wed Nov 14 15:02:36 UTC 2018

Steering hitch, From A016440 Steering hitch module



Refer to Parts Online for the most up to date information. The printed information might be outdated.

Wed Nov 14 15:02:37 UTC 2018

Item	Part No.	Name	Qty	L	SN INFO
1	4812114990	Steering hitch, cpl	1		
2	4700904233	Steel plain washer 21x36x3	16		
3	4700925208	Screw M20x90	16		
4	4812110366	Spacer	16		
5	4812116821	Radial spherical plain bearing	2		
6	4700151023	Retaining ring	4		
7	4812120661	Sealing strip	4		
8	4700900519	Plug	1		

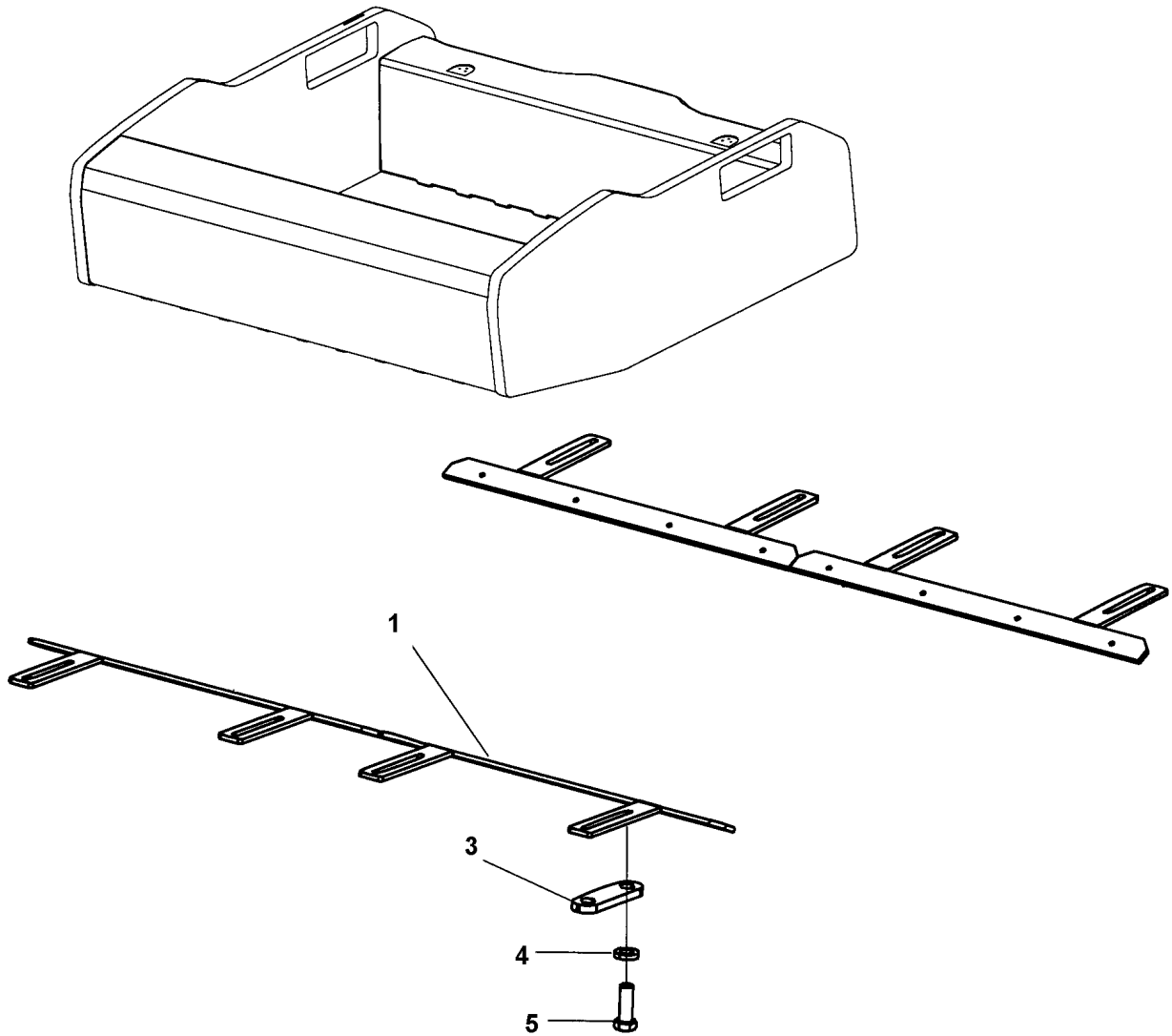
Item	Part No.	Name	Qty	L	SN INFO
1	4812114991	Hitch yoke	1		
2	4812114993	Shaft	1		
3	4812114995	Hitch holder	1		
4	4812114997	Shaft	1		
5	4812117867	Shaft	1		
6	4812115424	Cover cap	1		
7	4812115425	Cover cap	1		
8	4812115467	Spherical plain bearing	2		
9	4812115468	Angular contact spherical	2		
10	4812114999	Bushing	1		
11	4812115422	Disc spring	2		
12	4812115427	Radial lip-type seal	1		
13	4700792516	Sealing, V-ring	1		
14	4700160132	O-ring 70	1		
17	4812115000	Spacer washer	1		
18	4700792394	Screw	10		
19	4812120707	Radial lip-type seal	2		
20	4812120414	Hexagon socket head cap screw w Tuflok	12		
21	4812115423	Spacer washer	1		
22	4700904231	Washer, 13x24x2 mm 300 HV	6		
23	4812120681	Back-up ring	2		
24	0686901038	Protective plug	1		
25	4812119809	Locking pin cpl	1		
26	4812124006	Threaded stud	1		
27	4700904214	Washer 15x30x4 300 HV	1		
28	4812121665	Stop plate	1		
30	4812116680	Shim washer	1		
31	4700904567	Washer, 10.5x28x6 mm	1		
32	4700500028	Hex Head screw	1		
33	4700902919	Plug	6		
35	4812119807	Holder	1		
38	4812121282	Thread forming screw m	8		
39	4812124012	Lock nut M	1		
40	4700160372	O-ring 70	2		

Scrapers, option Scrapers, option

NO EXPLODED VIEW
AVAILABLE
FOR THIS BOM

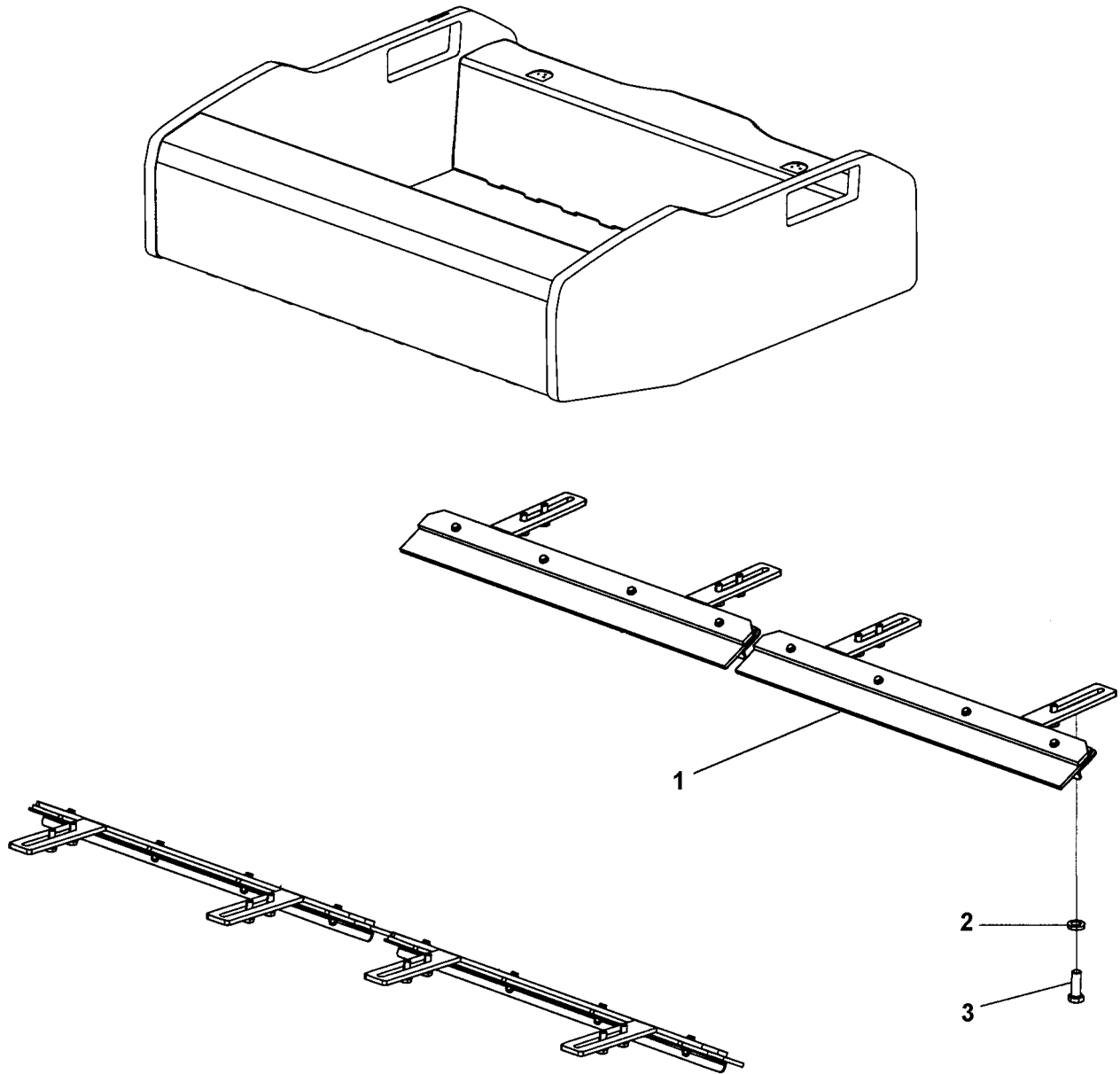
Item	Part No.	Name	Qty	L	SN INFO
1	-	Scraper module	4		
2	-	Scraper module Rubber	4		
3	-	Scraper module PD Hardox	18		
4	-	Scraper module PD Heavy duty	2		

Scrapers, option Scraper module Steel



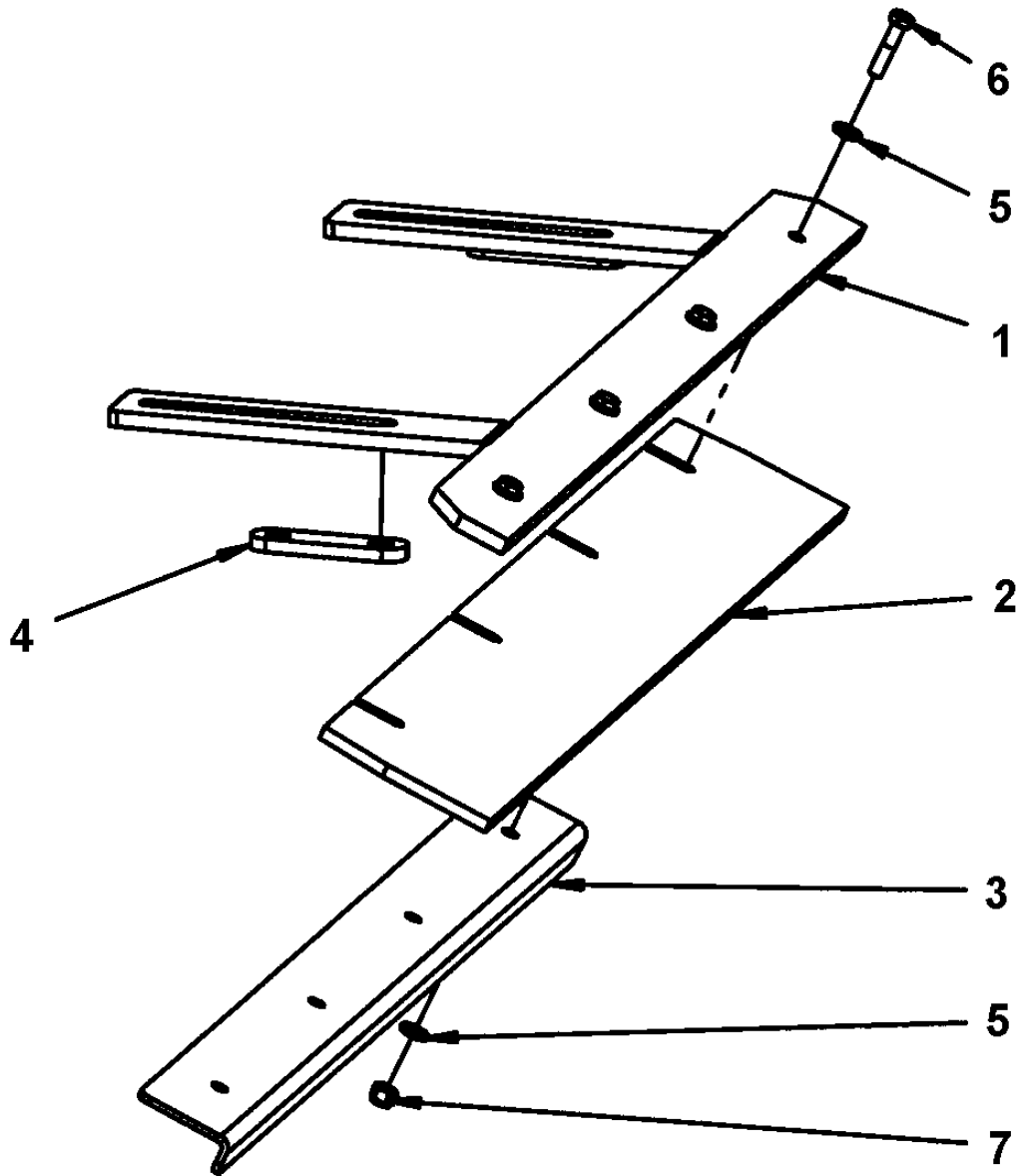
Item	Part No.	Name	Qty	L	SN INFO
1	4812115778	Scraper	1		
3	4812111103	Holder	2		
4	4700904558	Washer, 17x30x6 mm 300 HV	4		
5	4700500102	Hex. screw	4		

Scrapers, option Scraper module Rubber



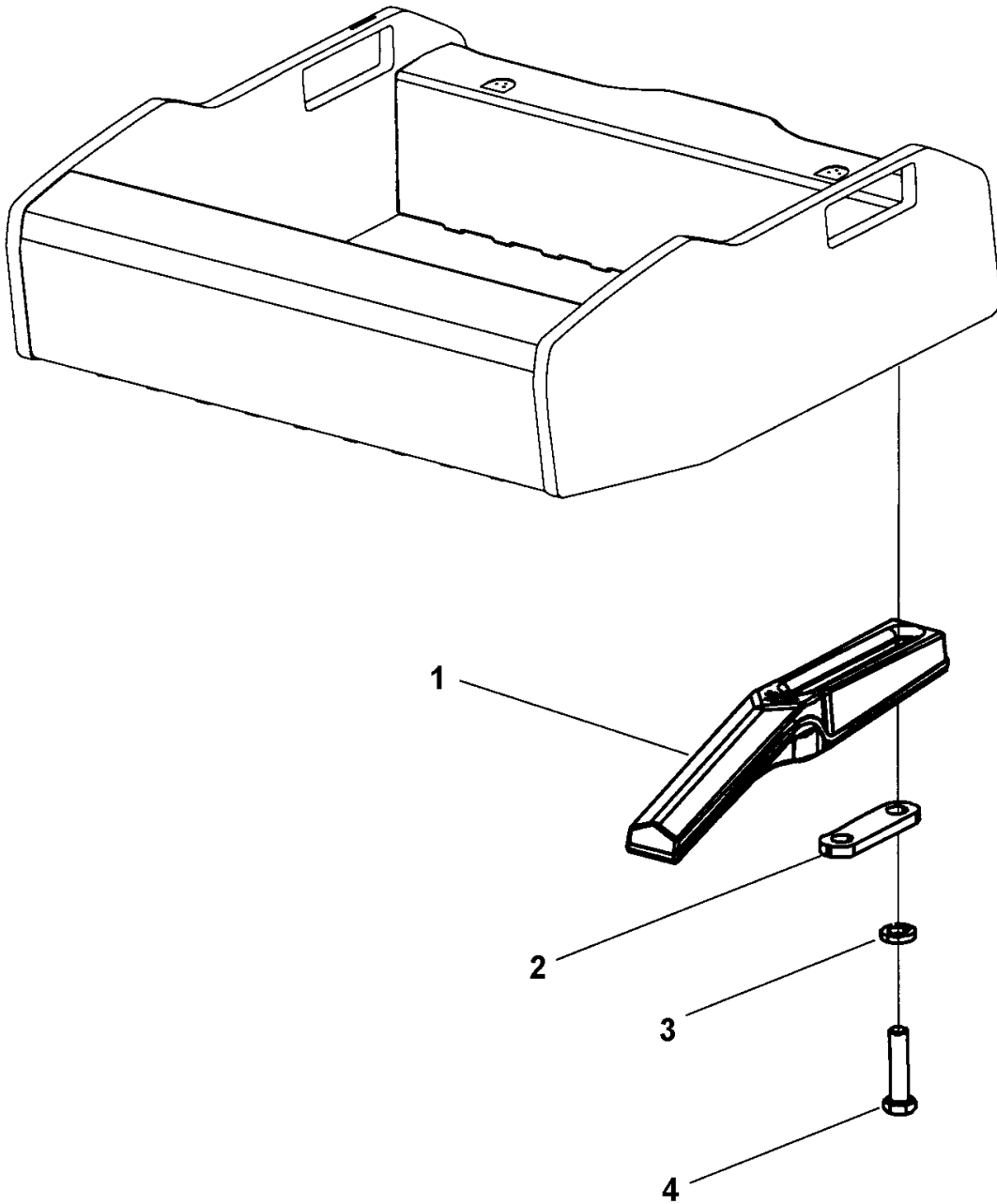
Item	Part No.	Name	Qty	L	SN INFO
1	-	Scraper assy	1		
2	4700904558	Washer, 17x30x6 mm 300 HV	4		
3	4700500102	Hex. screw	4		

Scrapers, option Scraper assy



Item	Part No.	Name	Qty	L	SN INFO
1	4812115778	Scraper	1		
2	4812114833	Scraper blade	1		
3	4812111092	Bracket	1		
4	4812111103	Holder	2		
5	4700904230	Steel plain washer	8		
6	4700500161	Screw	4		
7	4700586018	Lock nut M10	4		

Scrapers, option Scraper module PD

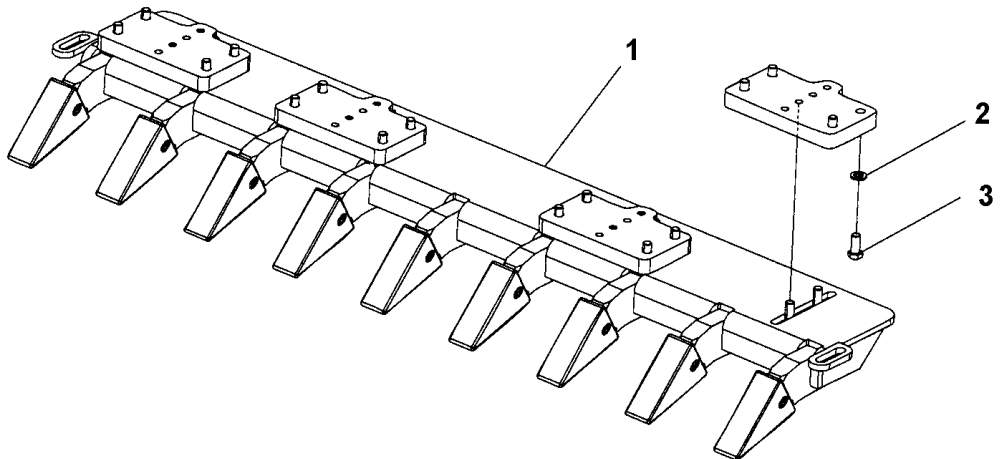
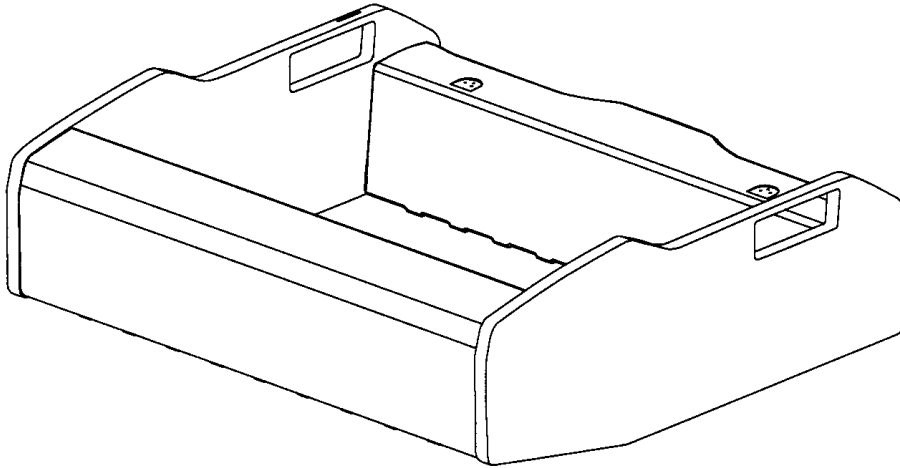


Refer to Parts Online for the most up to date information. The printed information might be outdated.

Wed Nov 14 15:02:37 UTC 2018

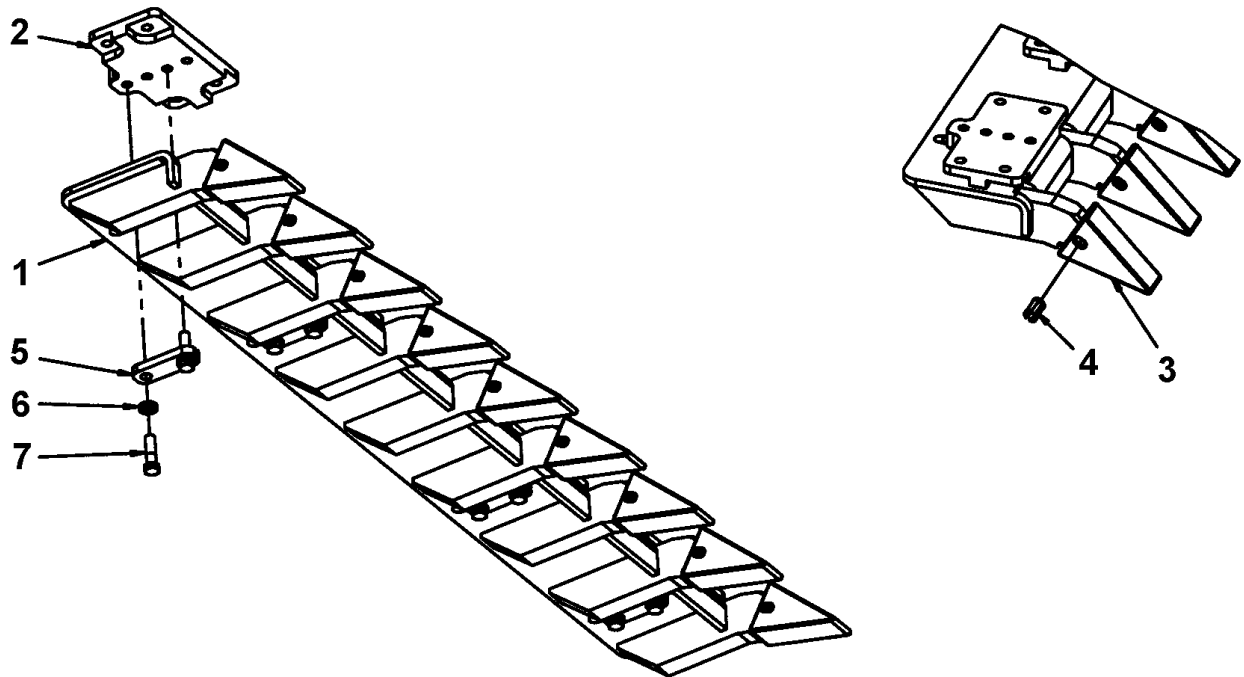
Item	Part No.	Name	Qty	L	SN INFO
1	4812115673	Scraper tooth	1		
2	4812111103	Holder	1		
3	4700904558	Washer, 17x30x6 mm 300 HV	2		
4	4812110572	Screw w Tuflok	2		

Scrapers, option Scraper module PD Heavy duty



Item	Part No.	Name	Qty	L	SN INFO
1	-	Scraper mount	1		
2	4700904232	Steel plain washer	16		
3	4700500123	Hex. screw	16		

Scrapers, option Scraper mount



Item	Part No.	Name	Qty	L	SN INFO
1	4812116617	Scraper	1		
2	4812115508	Adapter	4		
3	4700383844	Scraper	9		
4	4700801631	Pin	9		
5	4812118062	Holder	4	A	
6	4700904558	Washer, 17x30x6 mm 300 HV	8		
7	4700500270	Screw M16x60 10,9	8	A	

Comments for Page: Scraper mount

(L)OCAL REMARKS

A | en_US | Item 5 and 7 used together.

Frame Frame, rear

NO EXPLODED VIEW
AVAILABLE
FOR THIS BOM

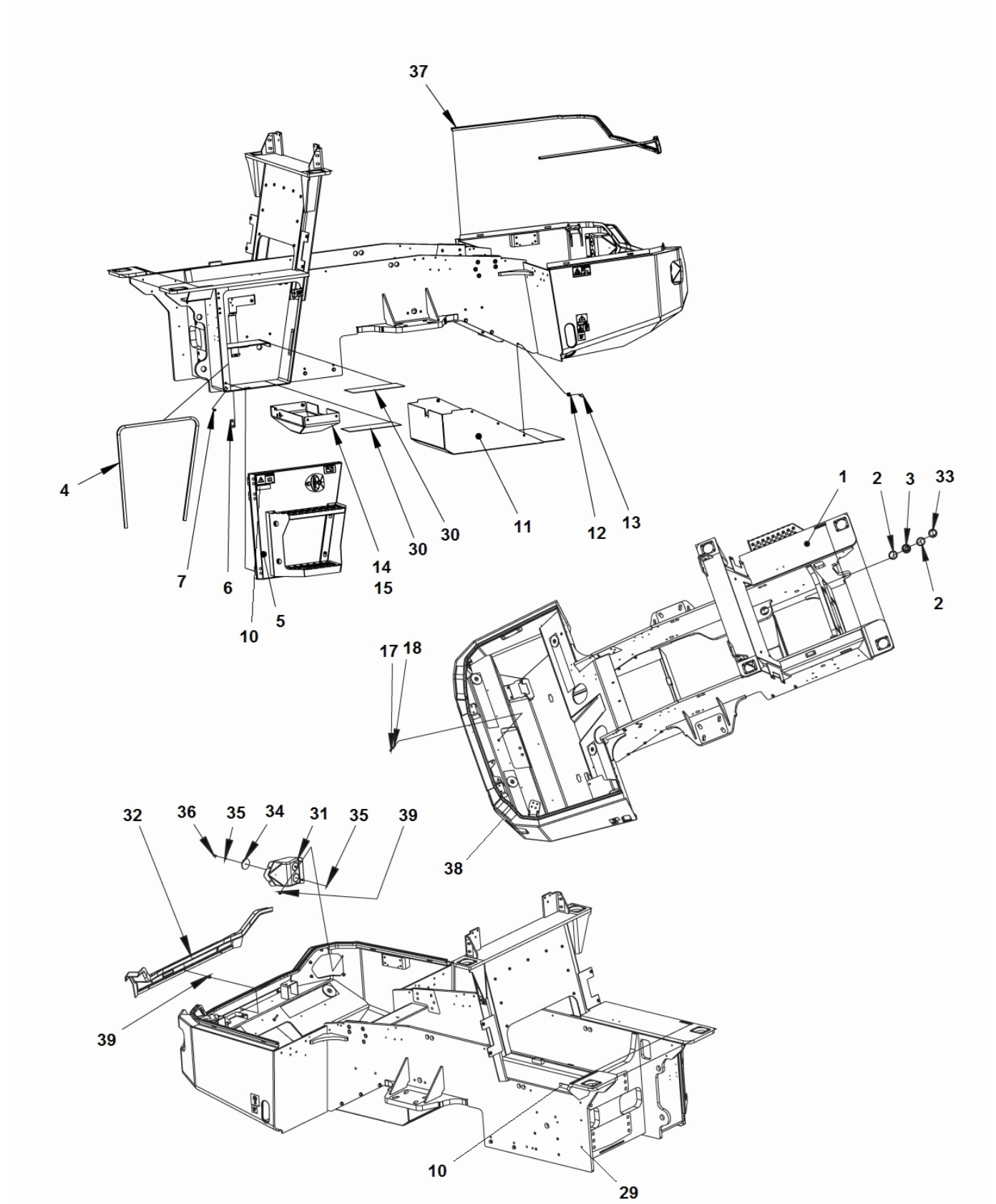
Item	Part No.	Name	Qty	L	SN INFO
1	-	Frame, rear	1		
2	-	Step module	1	A	
5	-	Tool box module, Option	1		

Comments for Page: Frame, rear

(L)OCAL REMARKS

A | en_US | Used with cab.

Frame Frame, rear



Refer to Parts Online for the most up to date information. The printed information might be outdated.

Wed Nov 14 15:02:38 UTC 2018

Item	Part No.	Name	Qty	L	SN INFO
1	4812122080	Frame rear	1		
2	4700151023	Retaining ring	4		
3	4812116821	Radial spherical plain bearing	2		
4	4700202057	Rubber edge trim	1XL	A	
5	-	Cover assembly	1		
6	4700389857	Threaded plate	3		
7	4700513012	Screw, M6 x 20 mm 10.9 GEOMET®	6		
10	4700377744	Reflector, yellow	2		
11	4812120560	Cover plate	1		
12	4700904557	Washer, 10.5x22x4 mm 300 HV	10		
13	4700500031	Screw M10x40	6		
14	4812117048	Cover plate	1		
15	4700500161	Screw	4		
17	4700500239	Hex. head screw	1		
18	4700570005	Hexagon nut	1		
29	4700926215	Protective plug	5		
30	4700355608	Slip protection	2		
31	4812120160	Holder	2		
32	4812120402	Cover	1		
33	4812120661	Sealing strip	2		
34	4700791956	Reflector, red	4		
35	4700904228	Washer 6,4x12x1,5	8		
36	4700791666	Blind rivet	4		
37	4812120363	Edge trim	1XL	B	
38	4700377742	Reflector, red	2		
39	4700903586	Nut, M8x1.25 mm A2K	13		

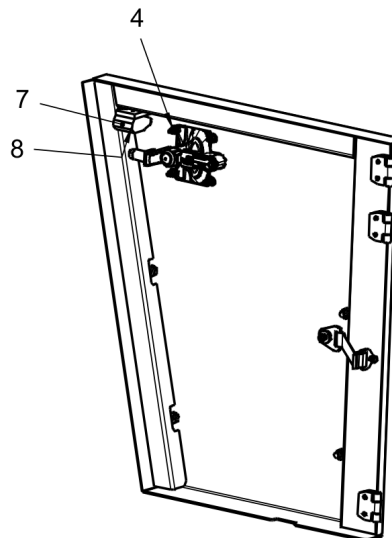
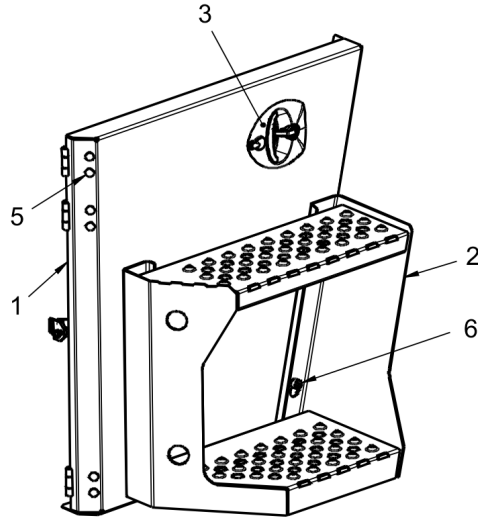
Comments for Page: Frame, rear

(L)OCAL REMARKS

A | en_US | L = 1.83m

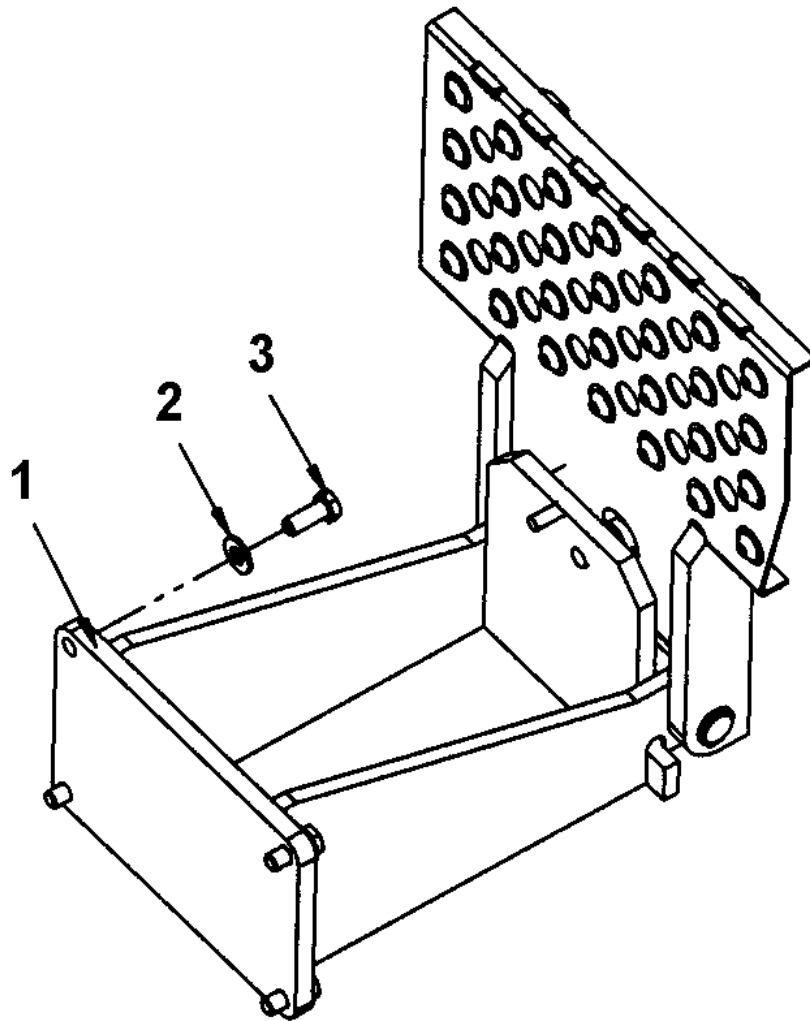
B | en_US | L= 3.93 m

Frame Cover assembly



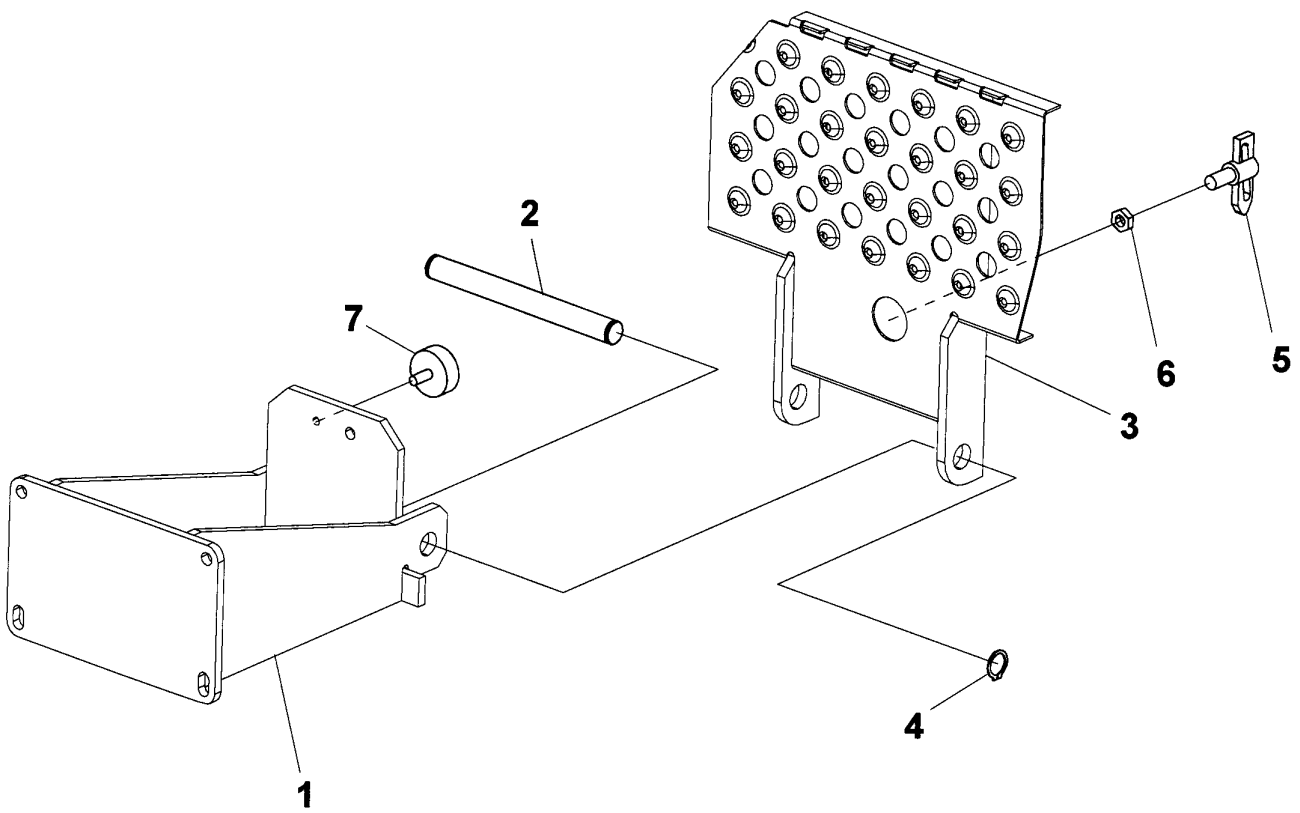
Item	Part No.	Name	Qty	L	SN INFO
1	4812113315	Cover	1		
1.1	4700396839	Hinge	3		
2	4812112059	Step assy	1		
3	4812121914	Lock with bracket	1		
4	4700902285	Nut	4		
5	4700921723	Plug	6		
6	4700508028	Screw, M10x20H	4		
7	4700390365	Spacer	1		
8	4700513017	Screw	2		

Frame Step module



Item	Part No.	Name	Qty	L	SN INFO
1	-	Step assy	1		
2	4700904230	Steel plain washer	4		
3	4700500028	Hex Head screw	4		

Frame Step assy



Refer to Parts Online for the most up to date information. The printed information might be outdated.

Wed Nov 14 15:02:39 UTC 2018

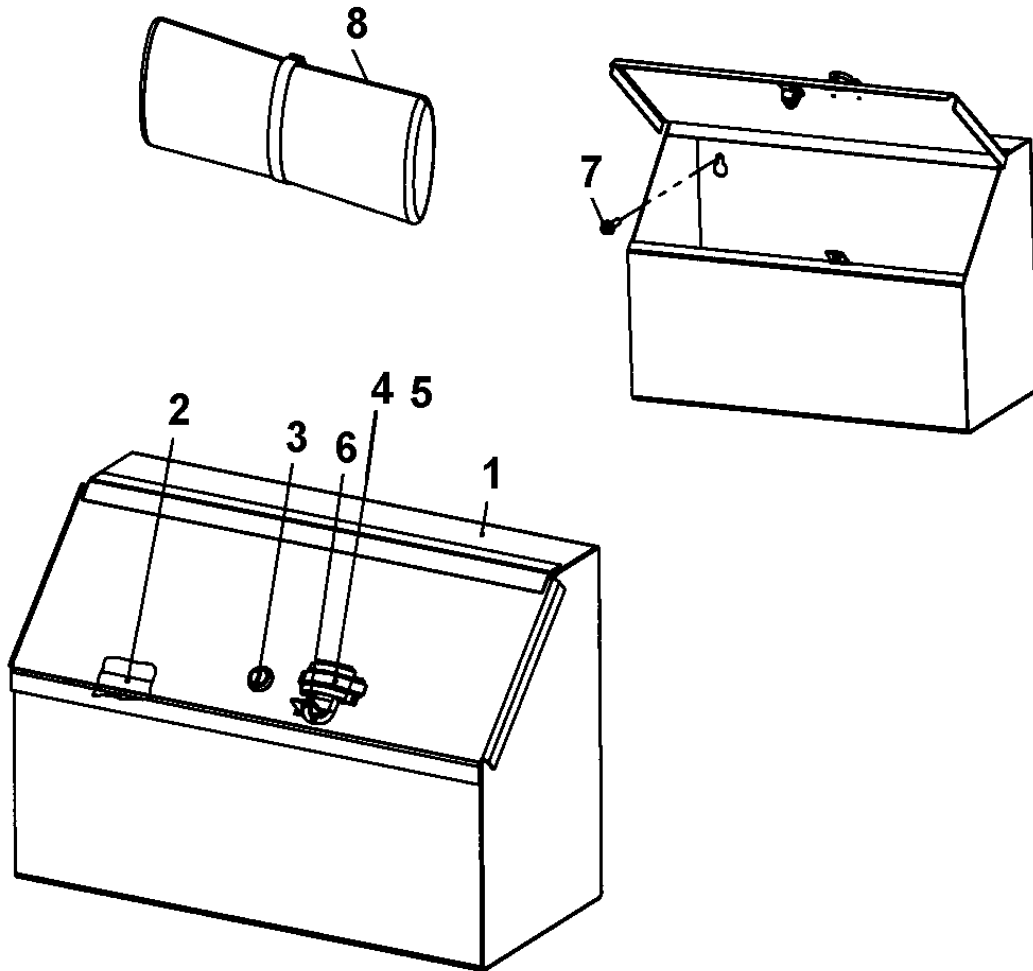
Item	Part No.	Name	Qty	L	SN INFO
1	4812116653	Bracket	1	A	
2	4812116651	Shaft	1	A	
3	4812116652	Step	1	A	
4	4700150008	Circlip	2		
5	4700475064	Lock	1		
6	4700927233	Nut	1		
7	4700792601	Shock absorber	1		

Comments for Page: Step assy

(L)OCAL REMARKS

A | en_US | Item 1, 2 and 3 used together.

Frame Tool box module, Option



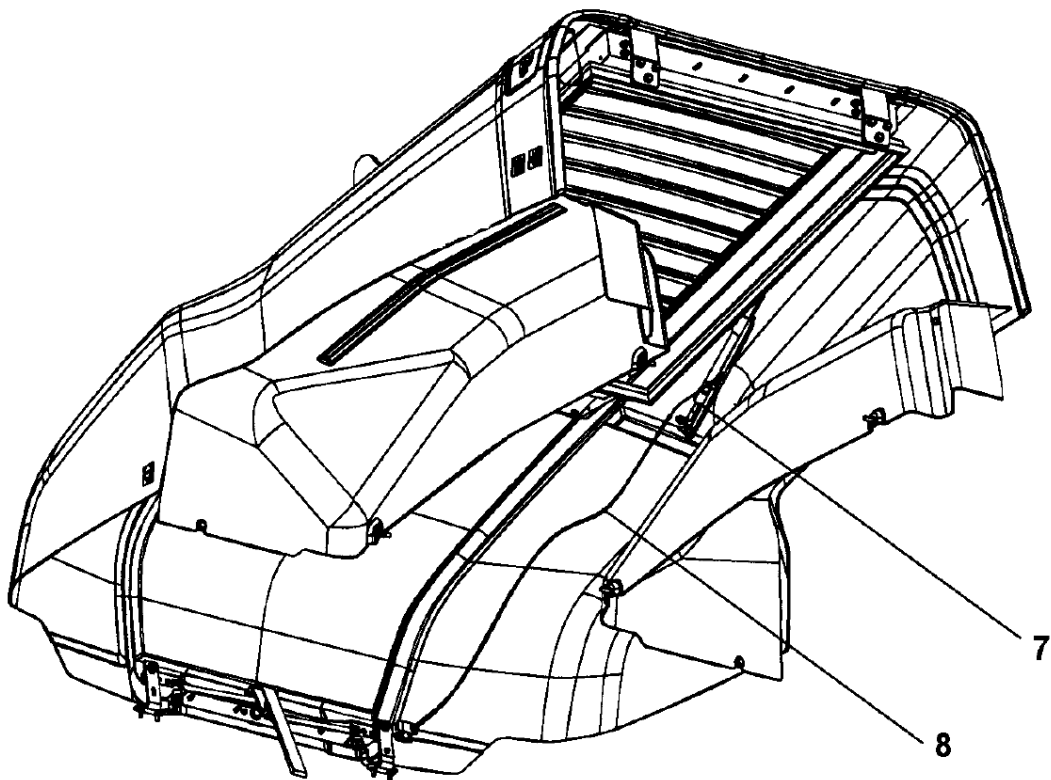
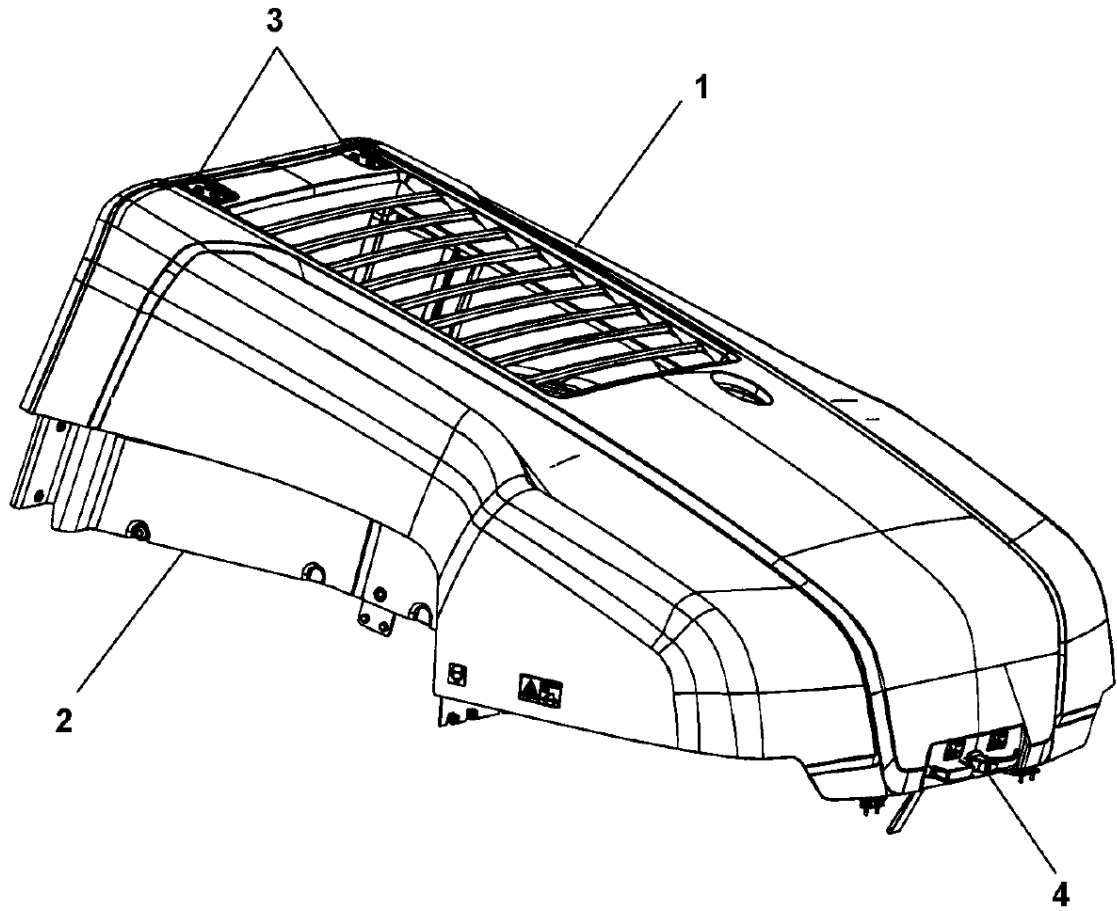
Item	Part No.	Name	Qty	L	SN INFO
1	4812114756	Tool box	1		
2	4700903615	Rubber strip	1XL	A	
3	4700372658	Lock	1		
4	4700394536	Wiring clip	1		
5	4700624018	Blind rivet	2		
6	4700358881	Pad lock	1		
7	4700902041	Screw, M8x25mm 8.8 A2K	3		
8	4700355889	Tool set Cpl	1		

Comments for Page: Tool box module, Option

(L)OCAL REMARKS

A | en_US | L=0.48m

Frame Engine structure

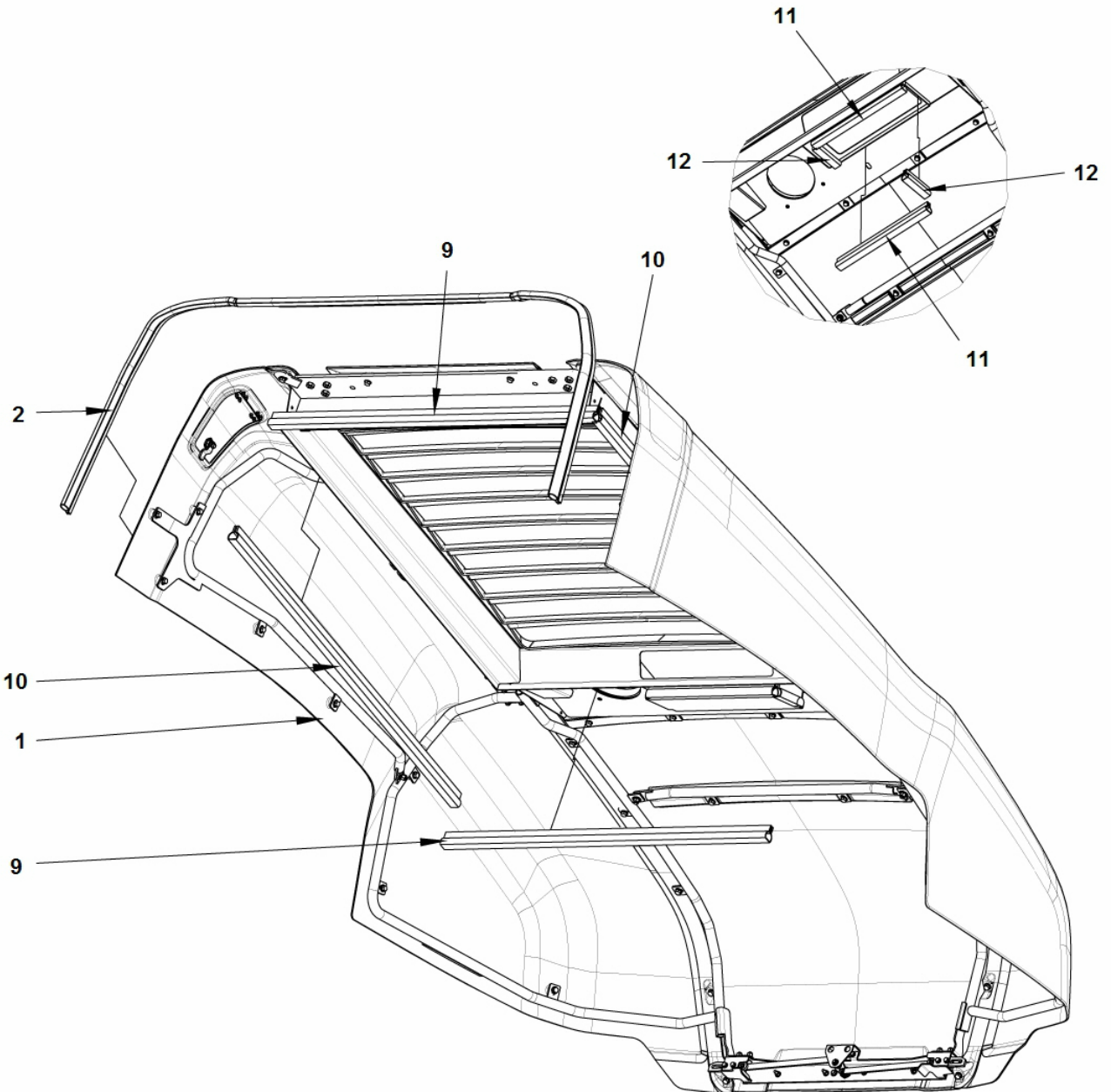


Refer to Parts Online for the most up to date information. The printed information might be outdated.

Wed Nov 14 15:02:39 UTC 2018

Item	Part No.	Name	Qty	L	SN INFO
1	-	Engine Hood	1		
2	-	Fender module	1		
3	-	Hinge module	1		
4	-	Lock handle assy	1		
7	-	Gas spring module	1		
8	-	Safety link module	1		

Frame Engine hood



Refer to Parts Online for the most up to date information. The printed information might be outdated.

Wed Nov 14 15:02:39 UTC 2018

Item	Part No.	Name	Qty	L	SN INFO
1	4812120749	Engine hood, cpl	1		
2	4812114814	Sealing strip	1		
9	4812117839	Sealing strip	1XL	C	
10	4812117839	Sealing strip	1XL	D	
11	4812117839	Sealing strip	1XL	E	
12	4812117839	Sealing strip	1XL	F	

Comments for Page: Engine hood

(L)OCAL REMARKS

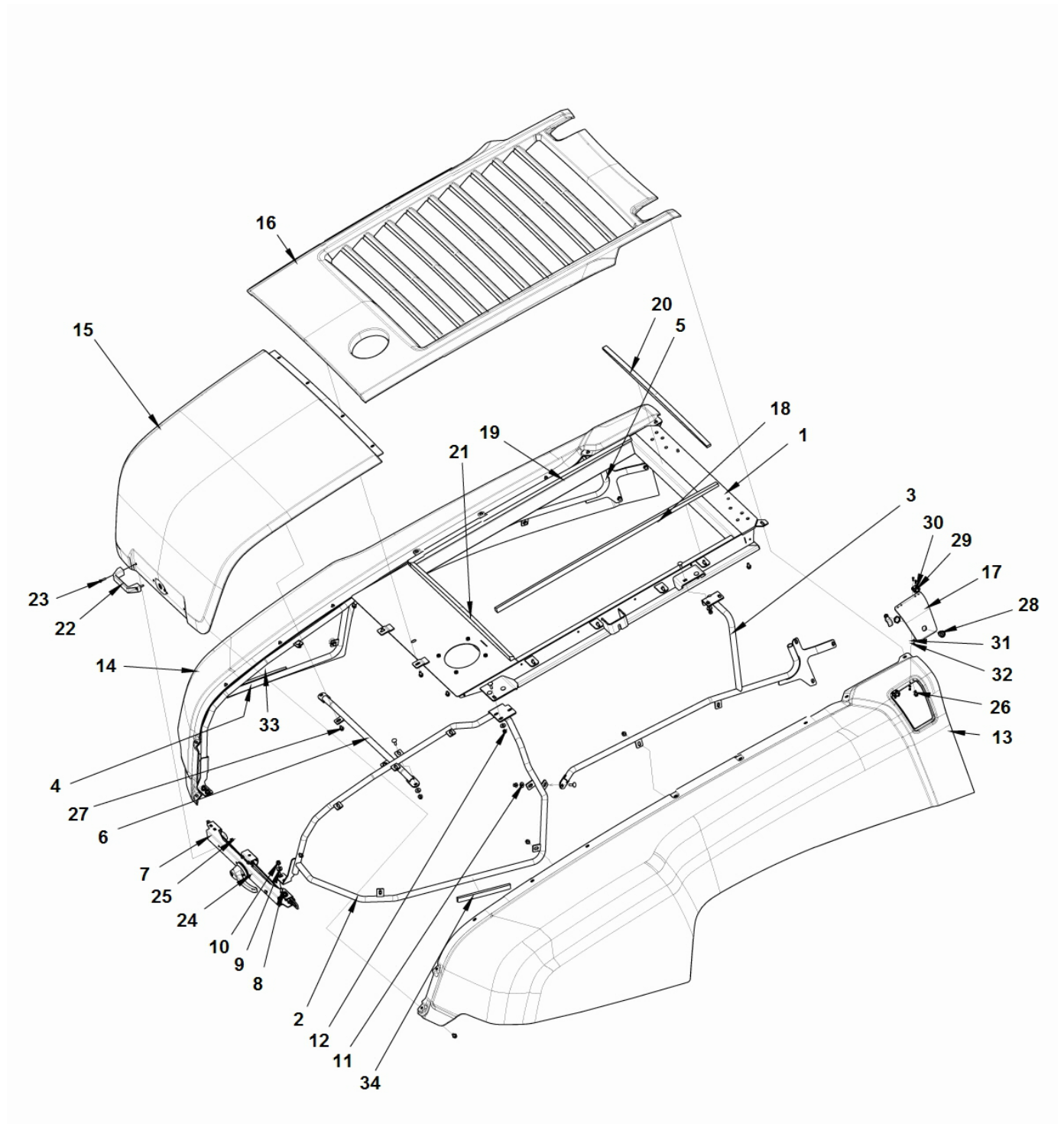
C | en_US | L = 1.96m

D | en_US | L = 2.44m

E | en_US | L = 0.76m

F | en_US | L = 0.21m

Frame 4812120749 Engine hood, cpl

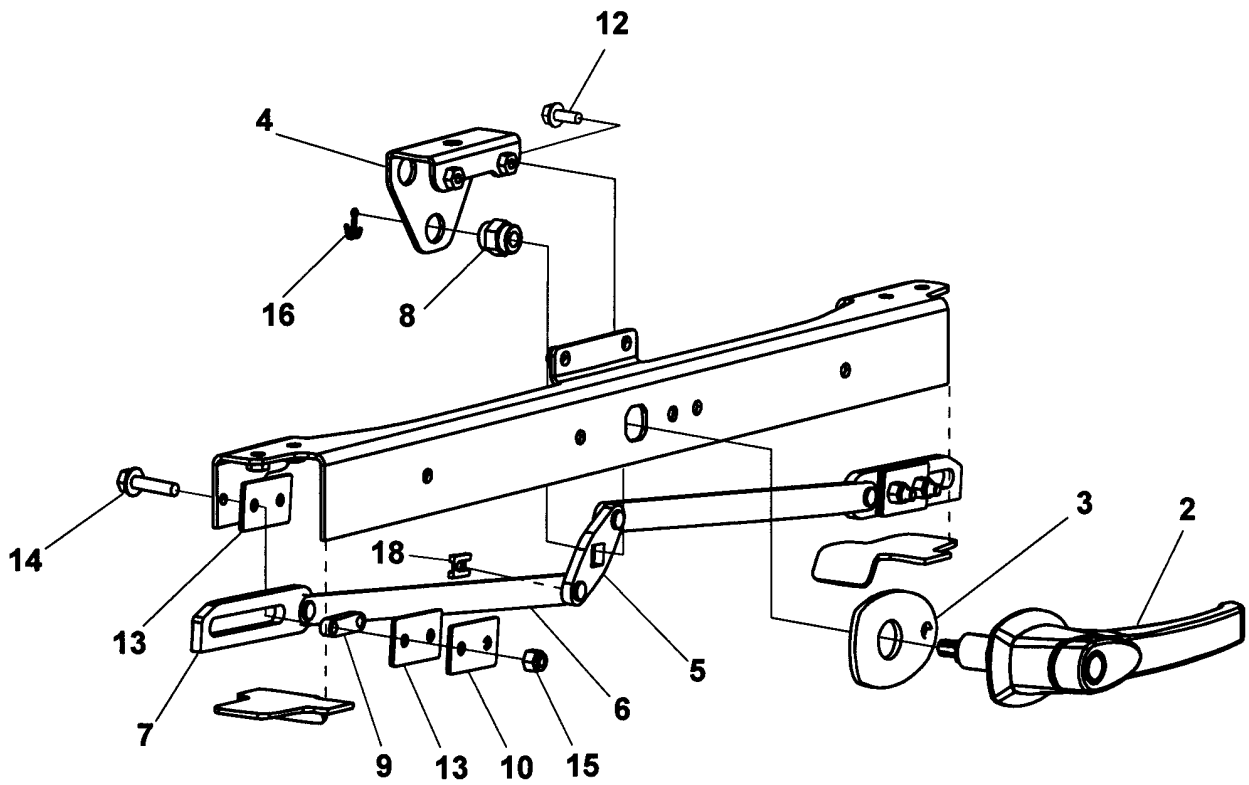


Refer to Parts Online for the most up to date information. The printed information might be outdated.

Wed Nov 14 15:02:40 UTC 2018

Item	Part No.	Name	Qty	L	SN INFO
1	4812118525	Frame	1		
2	4812114476	Frame side right	1		
3	4812121368	Frame side right	1		
4	4812118859	Frame side left	1		
5	4812118862	Frame side left	1		
6	4812114488	Strut	1		
7	4812118994	Lock handle, cpl	1		
8	4700929191	Cup square neck bolt	18		
9	4700904735	Steel plain washer	4		
10	4700902286	Lock nut, M8x1.25 mm A2K	8		
11	4700904640	Washer, 8.4x22x3 mm 300HV	14		
12	4700586003	Lock nut M8	10		
13	4812120725	Engine hood right	1		
14	4812120726	Engine hood left	1		
15	4812120727	Engine hood	1		
16	4812120729	Engine hood center	1		
17	4812120730	Cover	1		
18	4700792796	Rubber strip 25x20	1,13		
19	4700792796	Rubber strip 25x20	1,13		
20	4700792796	Rubber strip 25x20	0,89		
21	4700792796	Rubber strip 25x20	0,89		
22	4812112404	Grab handle	1		
23	4700500075	Screw, M6-1,0x25 mm 8.8	2		
24	4700903923	Cup square neck bolt	2		
25	4700902285	Nut	4		
26	4700901832	Screw, M08x16, 8.8	20		
27	4700904755	Screw M8x12 8,8 FZB	24		
28	4812112834	Lock	1		
28	4700902866	Key Marked "455"	2		
29	4812116862	Hinge	2		
30	4812118976	Hex.sock.flat head cap screw	8		
31	4700904698	Plain washer	8		
32	4700923976	Lock nut	8		
33	4700792718	Foam rubber	0,25		
34	4700792718	Foam rubber	0,25		

Frame 4812118994 Lock handle, cpl

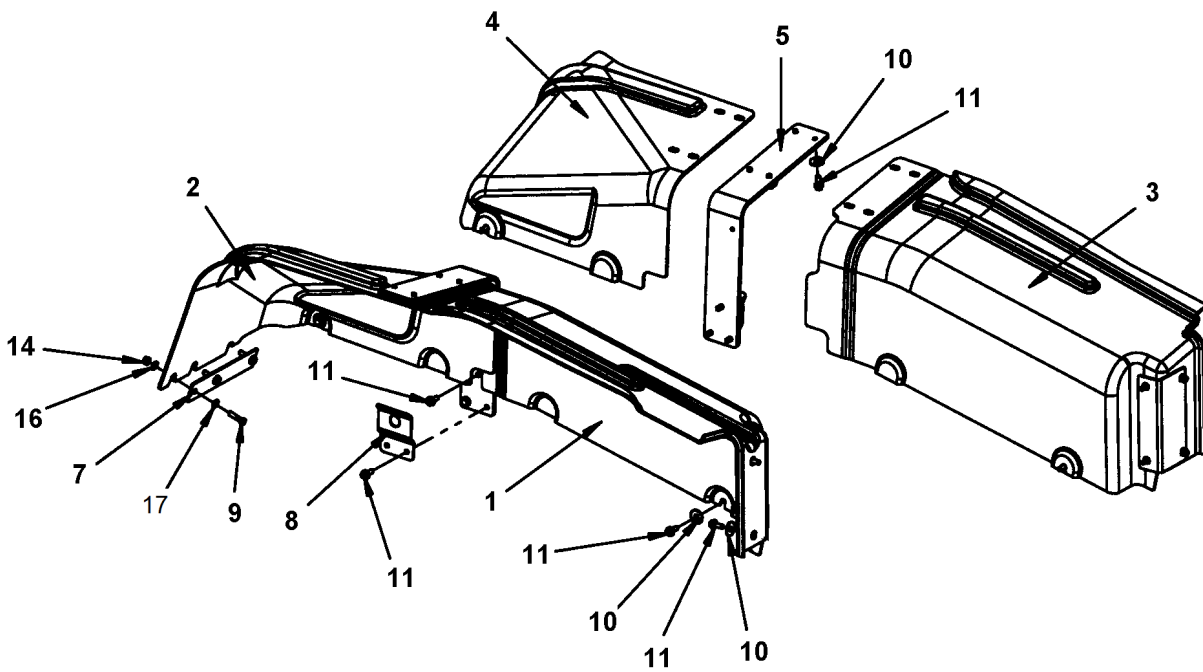


Refer to Parts Online for the most up to date information. The printed information might be outdated.

Wed Nov 14 15:02:40 UTC 2018

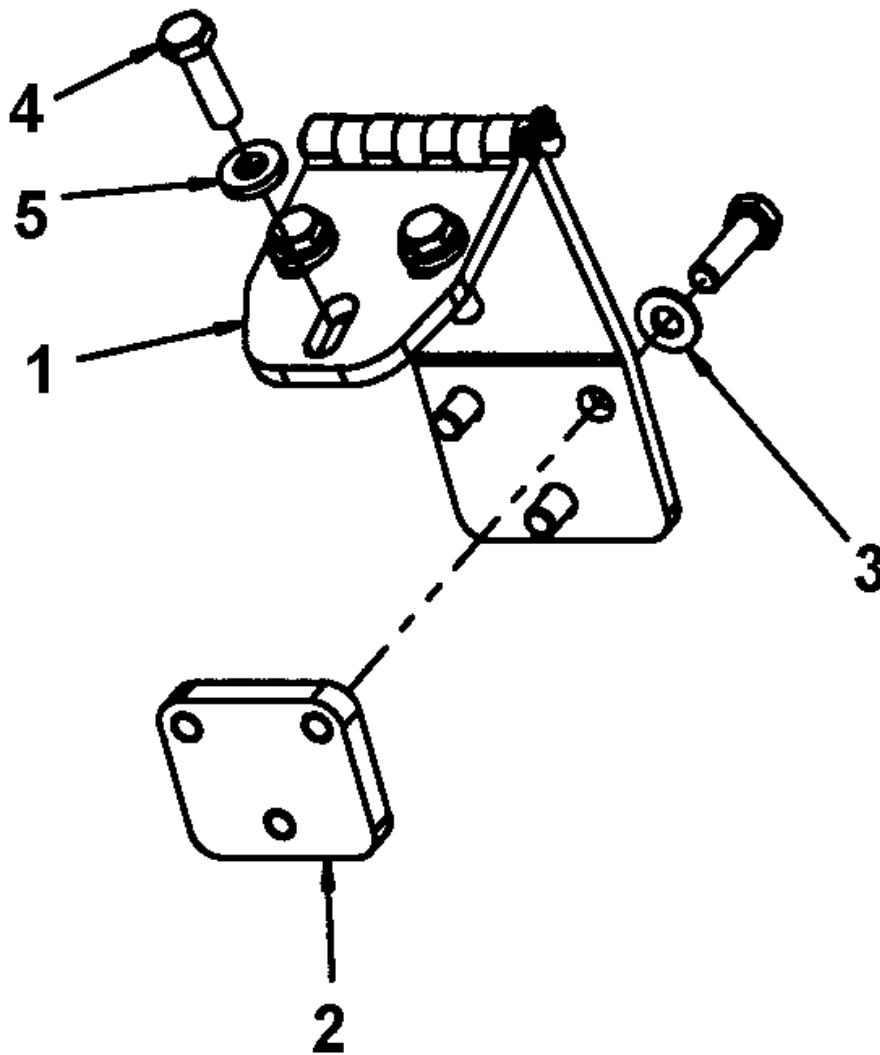
Item	Part No.	Name	Qty	L	SN INFO
-	4812118994	Lock handle, cpl	1		
2	4812112403	Lock handle	1		
2	4700902866	Key Marked "455"	1		
3	4812114828	Spacer washer	1		
4	4812118989	Holder	1		
5	4812114829	Coupling link	1		
6	4812114830	Lock lever	2		
7	4812112843	Lock lever	2		
8	4812114831	Lock nut	1		
9	4812112884	Slide plate	2		
10	4812116793	Thrust washer	2		
12	4700792119	Screw, M6x16 mm 8.8 A2K	2		
13	4812116792	Slide plate	4		
14	4700500502	Hexagon screw with flange M6 -25	4		
15	4700586002	Lock nut M6 -8	4		
16	4700630003	Split pin	1		
18	4812117473	Locking clip for shaft	4		

Frame Fender module



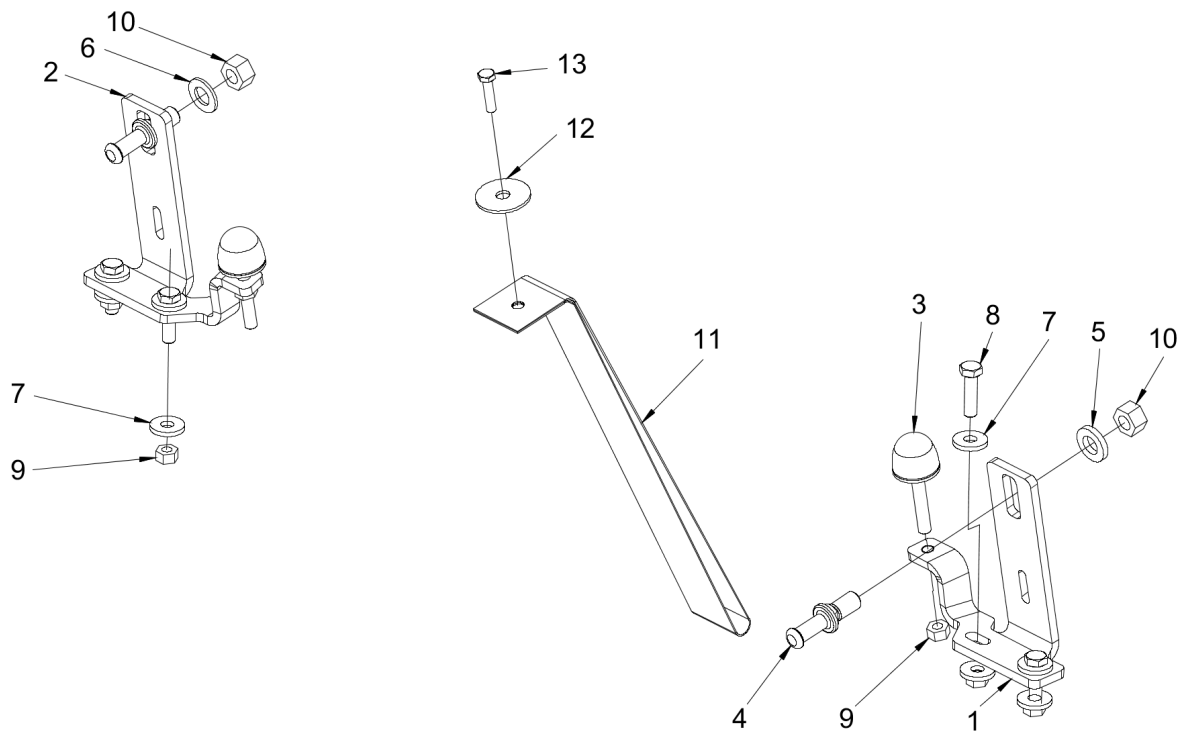
Item	Part No.	Name	Qty	L	SN INFO
1	4812115231	Fender	1		
2	4812115232	Fender	1		
3	4812115233	Fender	1		
4	4812115234	Fender	1		
5	4812115022	Bracket	2		
7	4812123793	Bracket	2		
8	4812116308	Bracket	2		
9	4700500032	Screw M10 x 55	6		
10	4700615061	Steel plain washer	16		
11	4700500509	Screw, M10x25, 8.8	22		
14	4700586018	Lock nut M10	5		
16	4700904230	Steel plain washer	5		
17	4700904557	Washer, 10.5x22x4 mm 300 HV	6		

Frame Hinge module



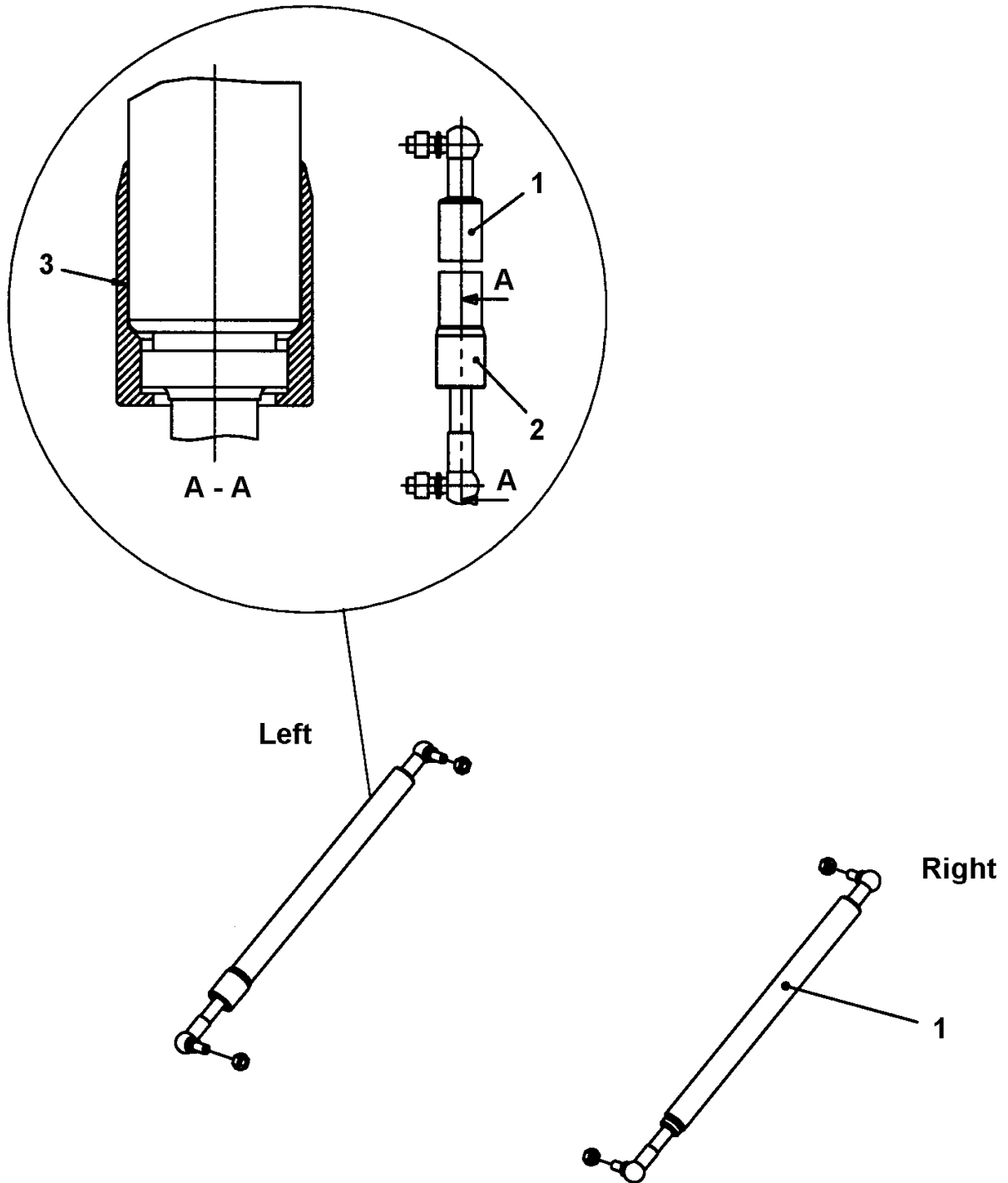
Item	Part No.	Name	Qty	L	SN INFO
1	4812112402	Hinge	2		
2	4700374799	Holder plate	2		
3	4700904230	Steel plain washer	6		
4	4700500030	Hexagon head screw	12		
5	4700904557	Washer, 10.5x22x4 mm 300 HV	6		

Frame Lock handle assy



Item	Part No.	Name	Qty	L	SN INFO
1	4812112845	Holder	1		
2	4812112846	Holder	1		
3	4812114318	Shock absorber	2		
4	4812115010	Lock pin	2		
5	4700904703	Plain washer 13x24x4 mm	1		
6	4700904231	Washer, 13x24x2 mm 300 HV	1		
7	4700904640	Washer, 8.4x22x3 mm 300HV	8		
8	4700500022	Screw	4		
9	4700570005	Hexagon nut	6		
10	4700570007	Nut	2		
11	4700374854	Grab handle	1		
12	4700615050	Washer	1		
13	4700500075	Screw, M6-1,0x25 mm 8.8	1		

Frame Gas spring module



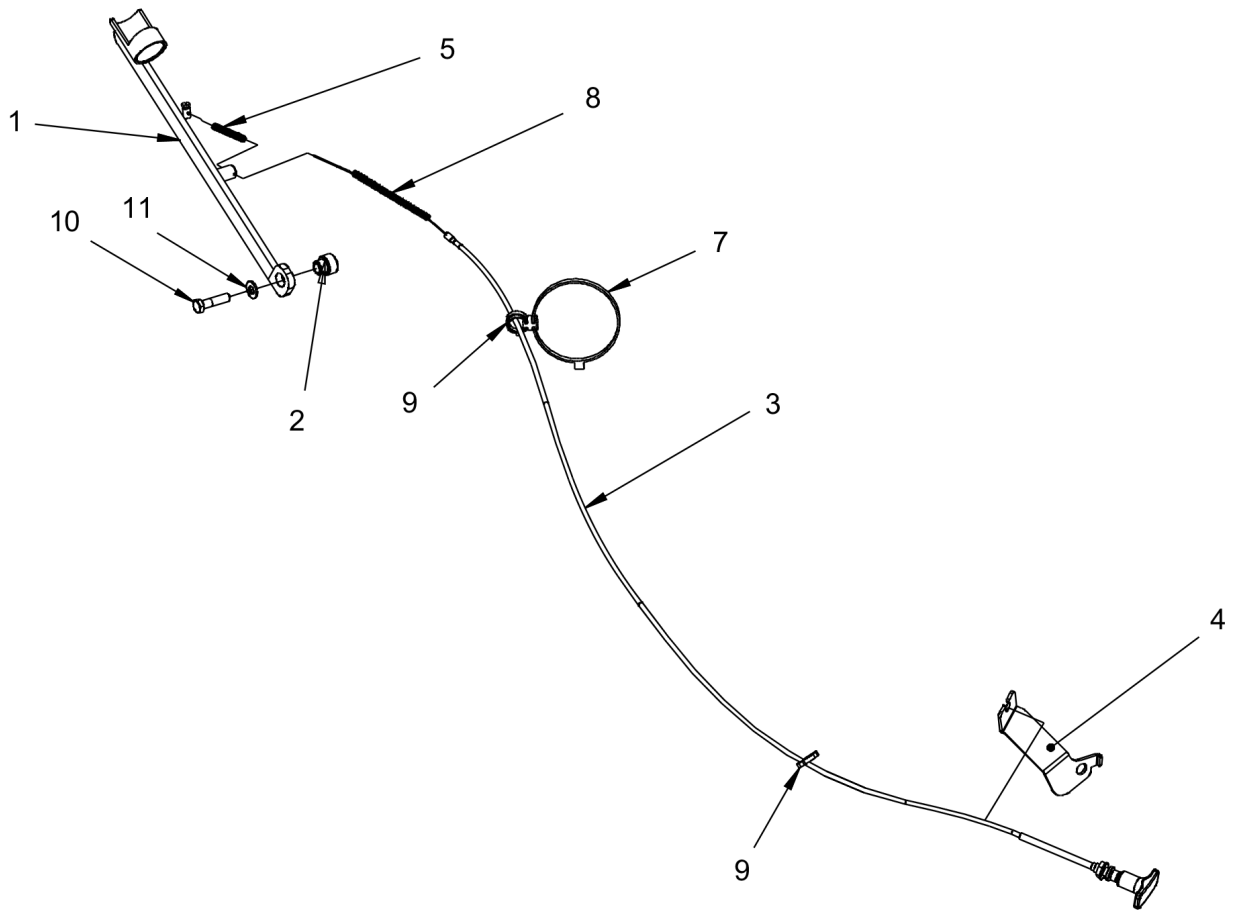
Item	Part No.	Name	Qty	L	SN INFO
1	4812112405	Gas spring	2		
2	4700382383	Gas spring protection	1	A	
3	-	Loctite 638	N		

Comments for Page: Gas spring module

(L)OCAL REMARKS

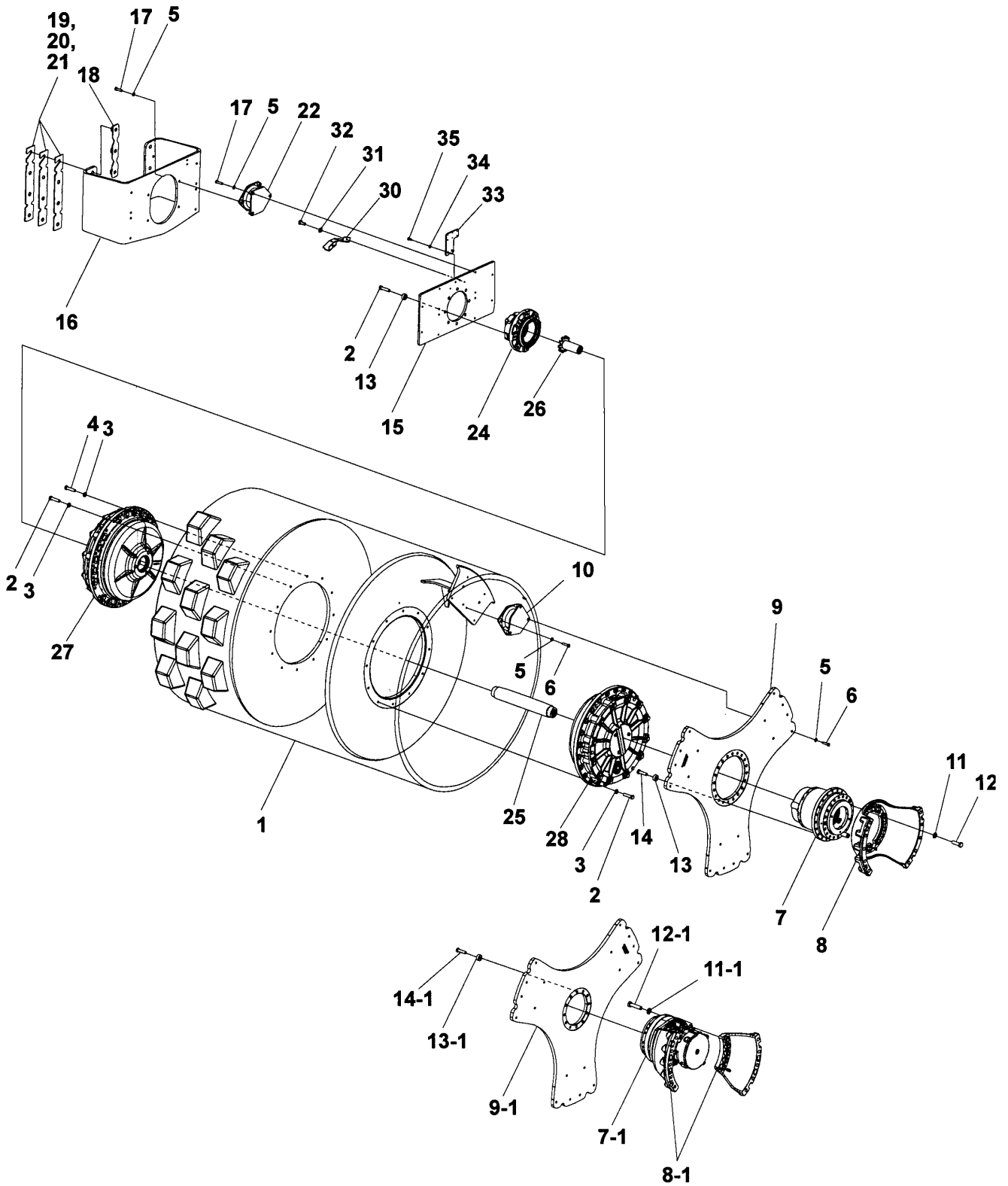
A | en_US | Only on left side.

Frame Safety link module



Item	Part No.	Name	Qty	L	SN INFO
1	4812112736	Safety link	1		
2	4812112952	Spacer	1		
3	4812112950	Control wire	1		
4	4812118853	Bracket	1		
5	4811000462	Compression spring	1		
7	4812117248	Cable tie with holder	1		
8	4812121201	Compression spring	1		
9	4700313041	Cable ties	2		
10	4700500031	Screw M10x40	1		
11	4700904230	Steel plain washer	1		

Drum Drum, cpl



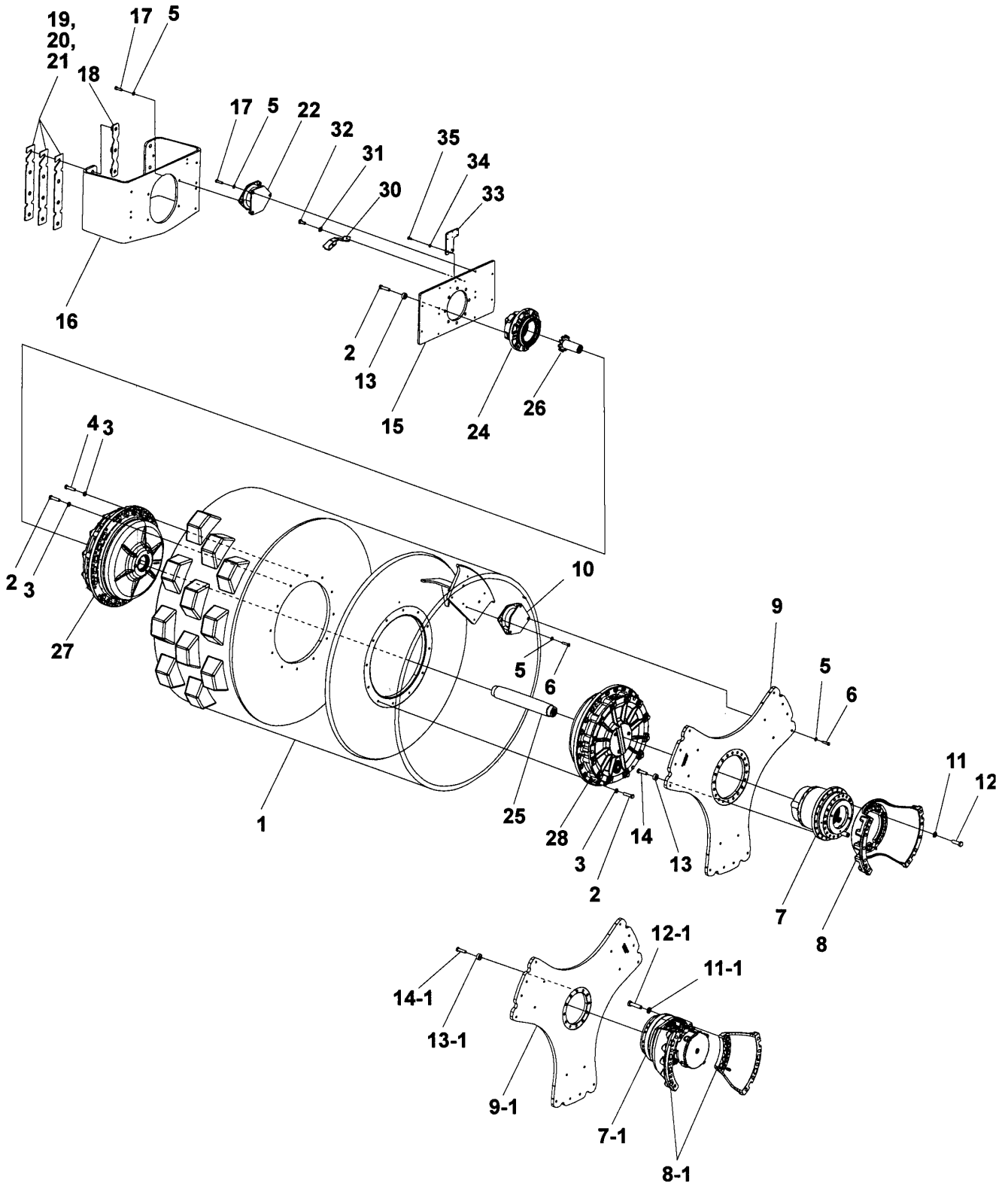
Refer to Parts Online for the most up to date information. The printed information might be outdated.

Wed Nov 14 15:02:42 UTC 2018

Item	Part No.	Name	Qty	L	SN INFO
1	4812113213	Drum	1	C	
1	4812113224	Drum	1		
1	4812113214	Drum, pad	1	B	
-	4700335659	Padfoot	130		
2	4700500082	Screw M16x70 8.8	31		
3	4700904232	Steel plain washer	24		
4	4700384121	Air breather screw	1		
5	4700904231	Washer, 13x24x2 mm 300 HV	50		
6	4812110644	Hexagon screw w Tuflok M12x50 10.9 GEOMET	36		
7	4812113266	Drum gear	1	H	
7-1	4812112198	Hydraulic motor	1	G	
8	4812113281	Bracket	1		
8-1	4812113283	Bracket	1	G	
9	4812113699	Driving disc	1		
9-1	4812113075	Driving disc	1	G	
10	4812119342	Shock absorber	6		
11	4700904233	Steel plain washer 21x36x3	17		
11-1	4700904260	Washer	10	G	
12	4700947706	Hex. screw	17		
12-1	4812116183	Hexagon head screw	10	G	
13	4700384114	Spacer	28		
13-1	4700384114	Spacer	12	G	
14	4700947699	Screw, M16 x 65 mm 10.9 GEOMET®	20		
14-1	4700947698	Hex. head screw	12	G	
15	4812113148	Bracket	1		
16	4812113853	Bracket	1		
17	4812110642	Hexagon screw w Tuflok M12x45 10.9 GEOMET	24		
18	4812114340	Nut-plate	2		
19	4812114344	Shim t=1mm	N		
20	4812114345	Shim t=3mm	N		
21	4812114346	Shim t=5mm	N		
22	4812113258	Shock absorber	4		
24	-	Vibration motor adapter	1		
25	4812112465	Drive shaft	1	D	
25	4700349682	Drive shaft	1		
26	-	Tooth wheel module	1		
27	4812158090	Drum cartridge, vibration side (PD version)	1	B	
27	4812158091	Drum cartridge, vibration side (D version)	1	A	

Refer to Parts Online for the most up to date information. The printed information might be outdated.

Wed Nov 14 15:02:42 UTC 2018



Refer to Parts Online for the most up to date information. The printed information might be outdated.

Wed Nov 14 15:02:42 UTC 2018

Item	Part No.	Name	Qty	L	SN INFO
27	4812158095	Drum cartridge with shaft nut, vibration side (PD version)	1	B	
27	4812158096	Drum cartridge with shaft nut, vibration side (D version)	1	A	
28	4812158085	Drum cartridge, drive side (PD version)	1	B	
28	4812158086	Drum cartridge, drive side (D version)	1	A	
30	4812116029	Protective casing	1	I	
31	4700904556	Steel plain washer 8,4x16x3,0	2	I	
32	4700500053	Screw, M8x20 mm 8.8 A2K	2	I	
33	4812116043	Plate	1	J	
34	4700904231	Washer, 13x24x2 mm 300 HV	2	J	
35	4700500051	Hex. screw	2	J	

Comments for Page: Drum, cpl

(L)OCAL REMARKS

A | en_US | For D machines.

B | en_US | For PD machines.

C | en_US | Anti-spin system, option.

D | en_US | Compaction data high, option.

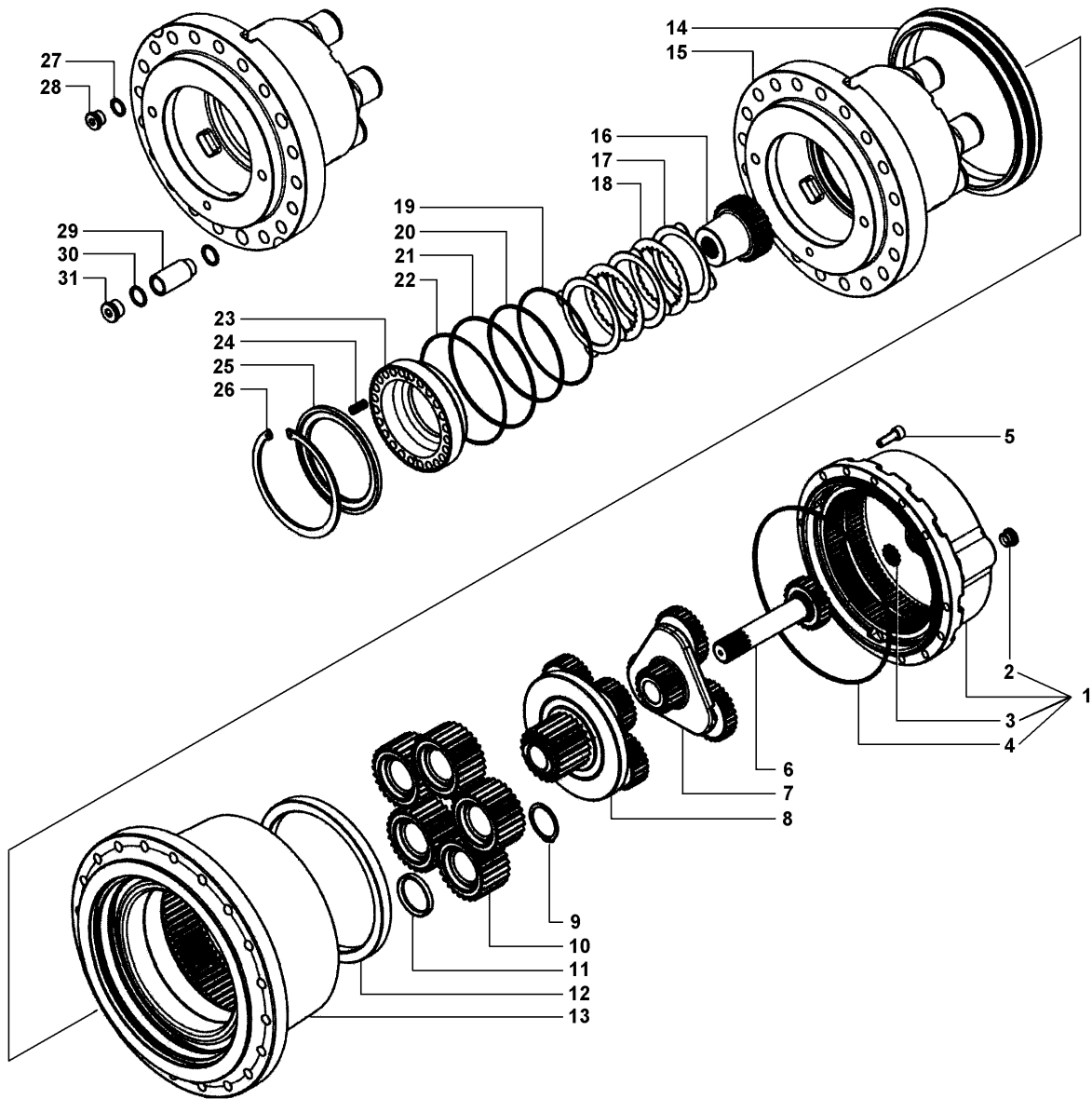
G | en_US | Used with smooth drum.

H | en_US | Used with pads drum.

I | en_US | Used with frequency sensor, option.

J | en_US | Used with compaction meter, option.

Drum 4812113266 Drum gear

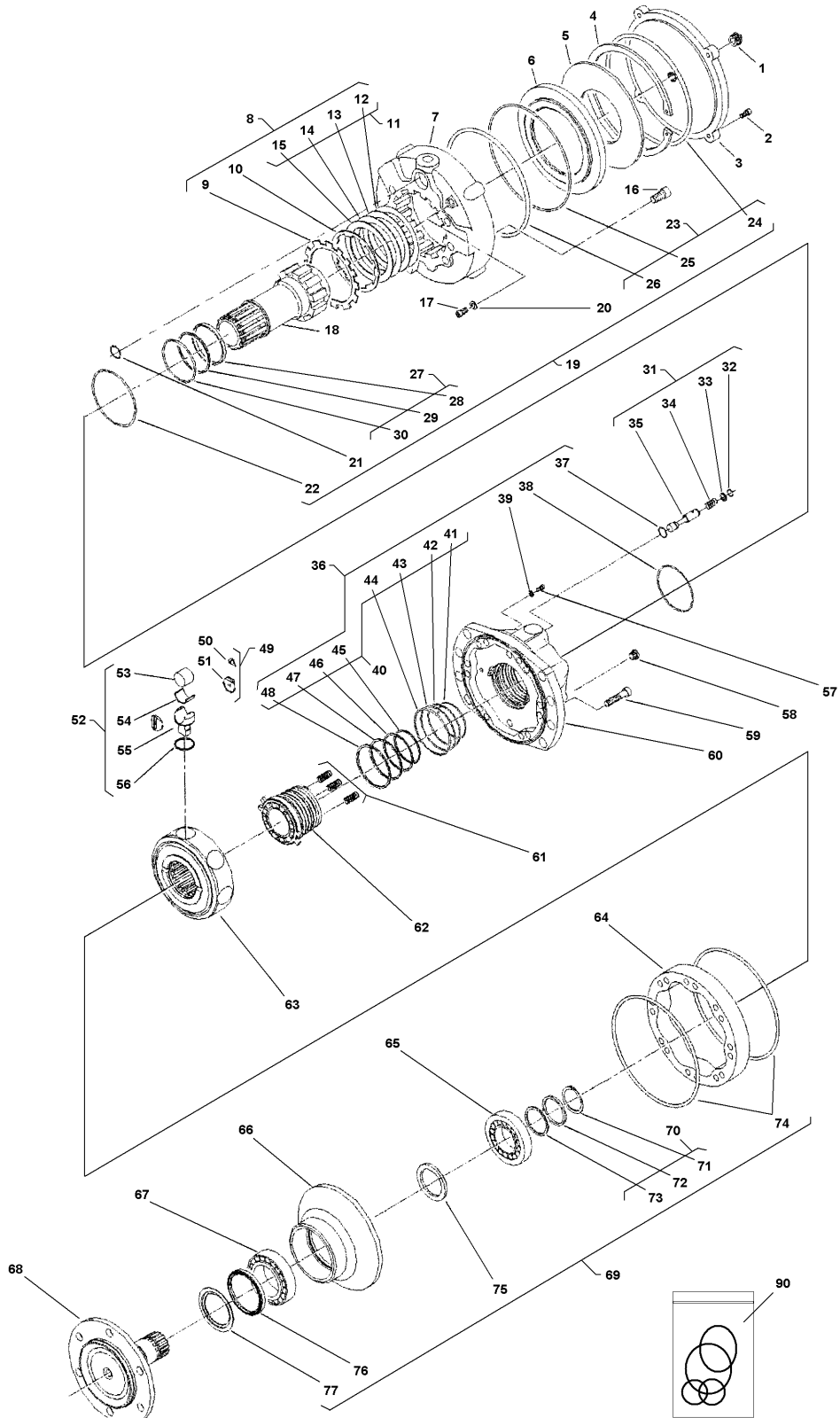


Refer to Parts Online for the most up to date information. The printed information might be outdated.

Wed Nov 14 15:02:43 UTC 2018

Item	Part No.	Name	Qty	L	SN INFO
1	4812158777	Cover Assy	1		
2	4812158783	Oil breather plug	2		
3	--	Pad	1		
4	4812158778	O-ring	1		
5	-	Screw	13		
6	-	Sun gear	1		
7	-	Reduction assy	1		
8	-	Reduction assy	1		
9	-	Circlip	5		
10	-	Planetary assy	5		
11	-	Spacer	5		
12	-	Lock nut	1		
13	4812158779	Gear output	1		
14	4812158780	Seal	1		
15	-	Hub	1		
16	-	Brake shaft	1		
17	-	Sintered disc	6		
18	-	Steel disc	5		
19	-	Back-up ring	1		
20	4812158781	O-ring	1		
21	4812158782	O-ring	1		
22	-	Back-up ring	1		
23	-	Brake piston	1		
24	-	Lock nut	20		
25	-	Spring retainer	1		
26	-	Circlip	1		
27	-	Gasket	1		
28	-	Plug	1		
29	-	Extension	1		
30	-	Gasket	3		
31	-	Plug	2		

Drum 4812112198 Hydraulic motor



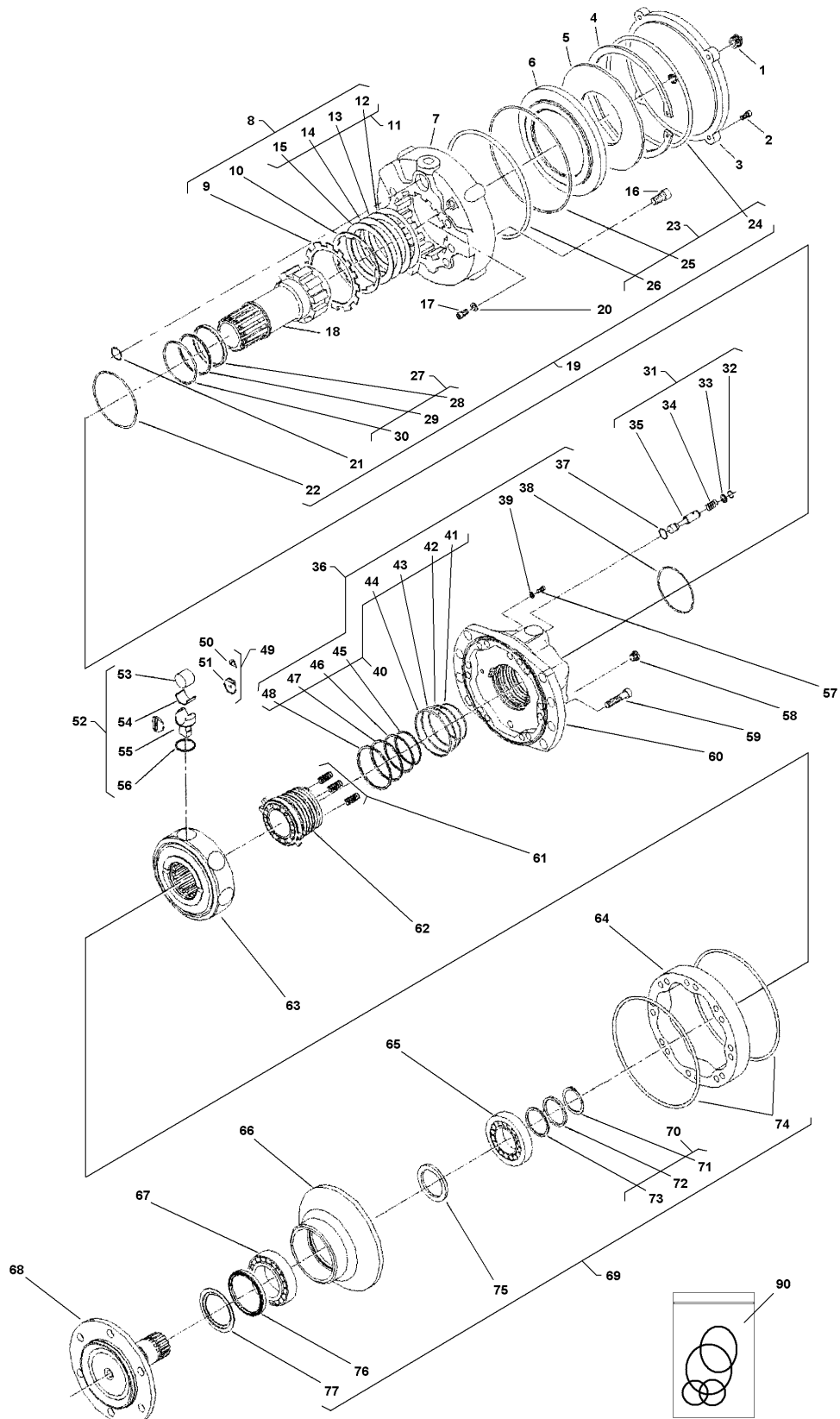
Refer to Parts Online for the most up to date information. The printed information might be outdated.

Wed Nov 14 15:02:44 UTC 2018

Item	Part No.	Name	Qty	L	SN INFO
-	4812112198	Hydraulic motor	1		
1	--	Valve poppet	1		
2	--	Screw	4		
3	--	Blanking plate	1		
4	--	Snap ring	1		
5	--	Spring washer	1		
6	--	Piston (brake)	1		
7	--	Brake housing	1		
8	4812158391	Brake disc & shim kit	1		
9	---	Brake disc	32		
10	---	Brake disc	33		
11	---	Shim assy	1		
12	----	Shim	1		
13	----	Shim	1		
14	----	Shim	1		
15	----	Shim	2		
16	--	Screw	10		
17	--	Screw	2		
18	--	Brake shaft	1		
19	4812158390	Multi disc brake seal kit	1	A	
20	---	Seal	2	A	
21	---	Seal	1	A	
22	---	Seal	1	A	
23	---	Seal kit	1	A	
24	----	Seal	1	A	
25	----	Seal	1	A	
26	----	Seal	1	A	
27	---	Shaft seal kit	1	A	
28	----	Brake bushing	1	A	
29	----	Seal	1	A	
30	----	Seal Support	1	A	
31	4812158393	Spool valve kit	1		
32	---	Snap ring	1		
33	---	Washer	1		
34	---	Spring	1		
35	---	Spool	1		
36	4812158392	Motor valve seal kit	1		
37	---	Seal	2	A	

Refer to Parts Online for the most up to date information. The printed information might be outdated.

Wed Nov 14 15:02:44 UTC 2018

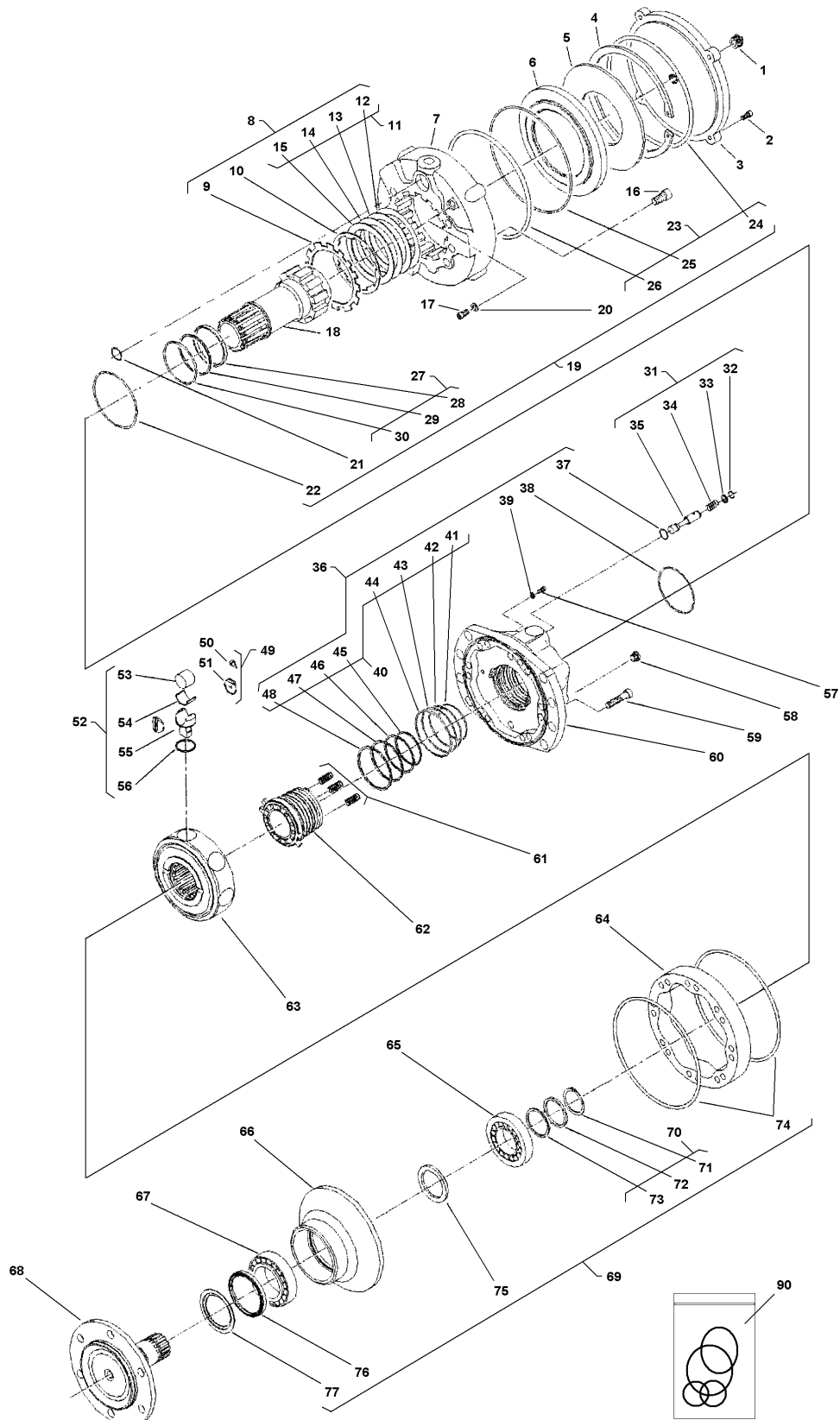


Refer to Parts Online for the most up to date information. The printed information might be outdated.
 Wed Nov 14 15:02:44 UTC 2018

Item	Part No.	Name	Qty	L	SN INFO
38	---	Seal	1	A	
39	---	Seal	2	A	
40	---	Seal kit	1	A	
41	----	Seal	1	A	
42	----	Seal	1	A	
43	----	Seal	1	A	
44	----	Seal	1	A	
45	----	Seal Support	1	A	
46	----	Seal Support	1	A	
47	----	Seal Support	1	A	
48	----	Seal Support	1	A	
49	--	Cylinder block kit	1		
50	---	Clip	10		
51	---	Half moon disc	20		
52	--	Piston kit	10		
53	---	Roller	1		
54	---	Piston bushing	1		
55	---	Piston	1		
56	---	Piston seal	1		
57	--	Screw	1		
58	--	Metallic plug	1		
59	--	Screw	16		
60	--	Cover plate	1		
61	--	Spring kit	1		
62	--	Control plate	1		
63	--	Cylinder block	1		
64	--	Cam	1		
65	4812158388	Roller bearing	1		
66	4812104465	Bearing support	1		
67	4812158387	Roller bearing	1		
68	4812104466	Motor shaft	1		
69	4812158389	Seal kit, bearing	1		
70	---	Roller bearing kit	1		
71	----	Snap ring	1		
72	----	Guide Ring	1		
73	----	Shim	1		
74	---	Seal	2	A	
75	---	Seal	1	A	

Refer to Parts Online for the most up to date information. The printed information might be outdated.

Wed Nov 14 15:02:44 UTC 2018



Refer to Parts Online for the most up to date information. The printed information might be outdated.
 Wed Nov 14 15:02:45 UTC 2018

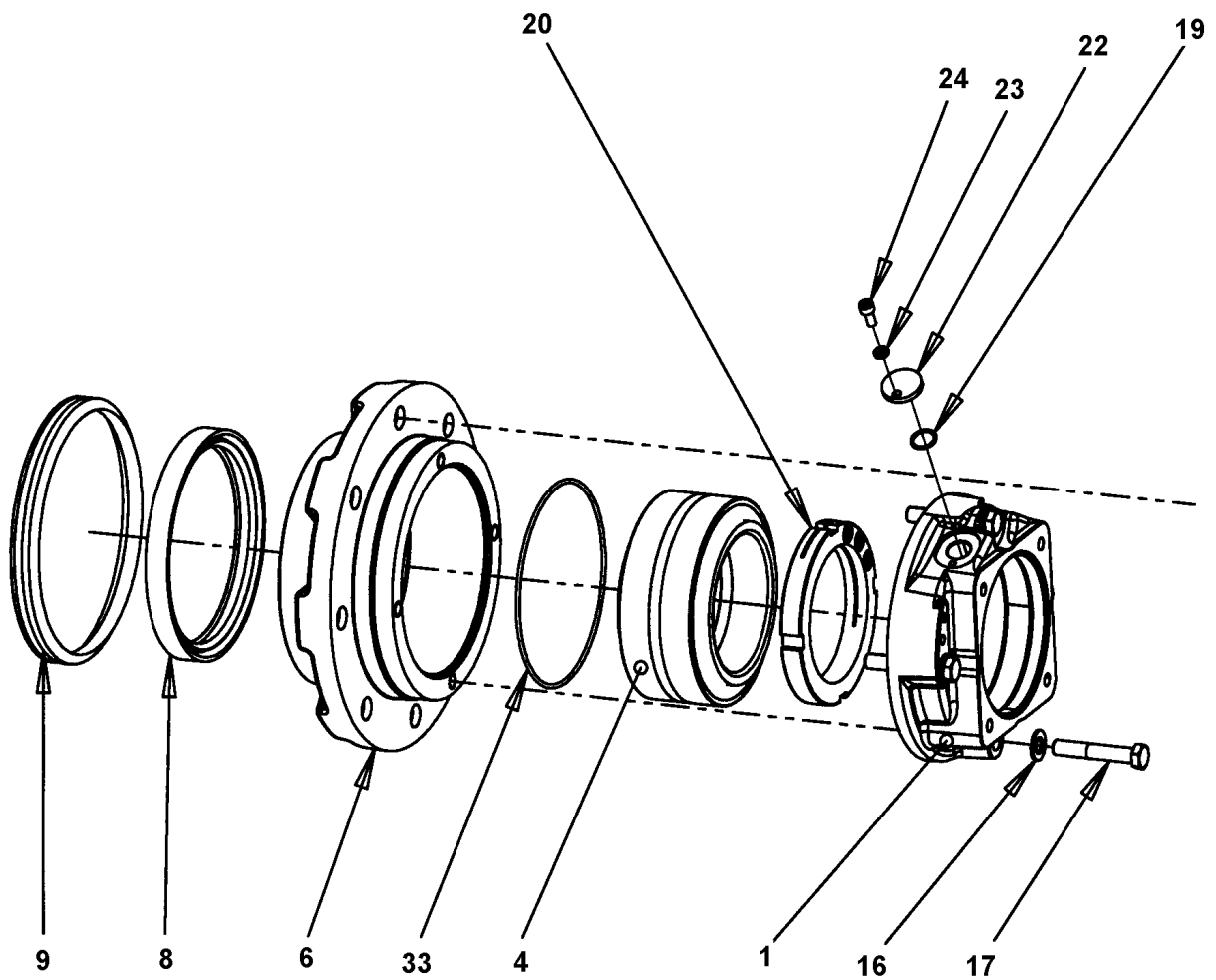
Item	Part No.	Name	Qty	L	SN INFO
76	---	Seal	1	A	
77	---	Deflector	1	A	
90	4812158394	Seal kit, cpl	1		

Comments for Page: 4812112198 Hydraulic motor

(L)OCAL REMARKS

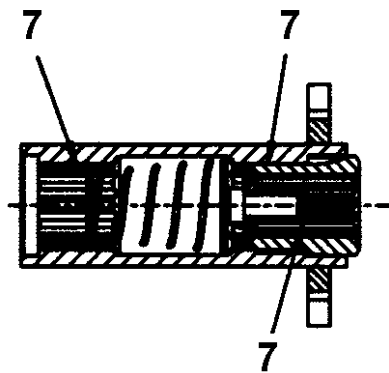
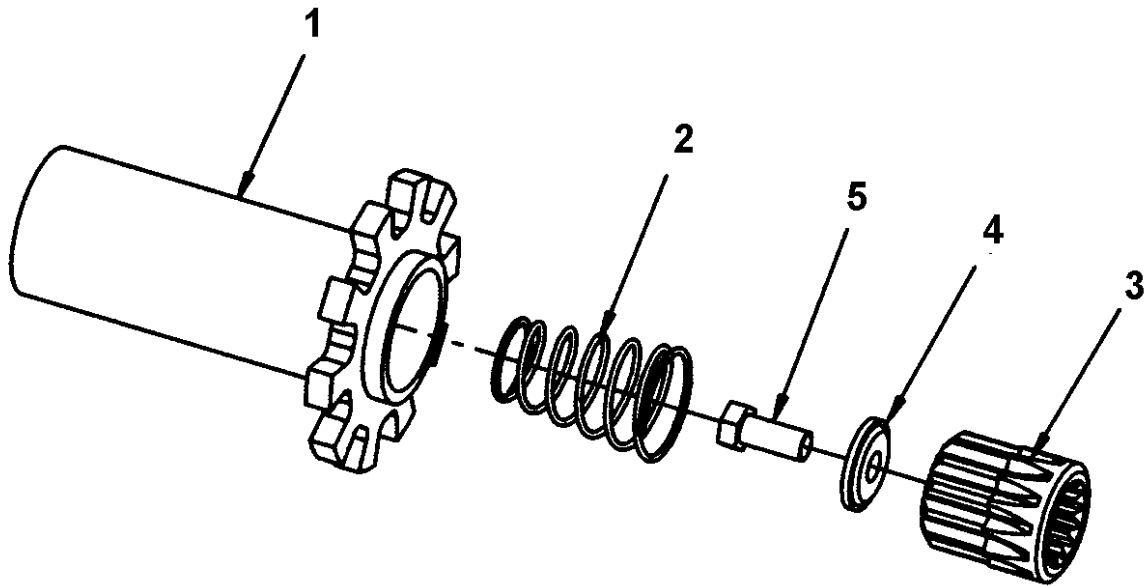
A | en_US | Included in seal kit item 90

Drum Vibration motor adapter



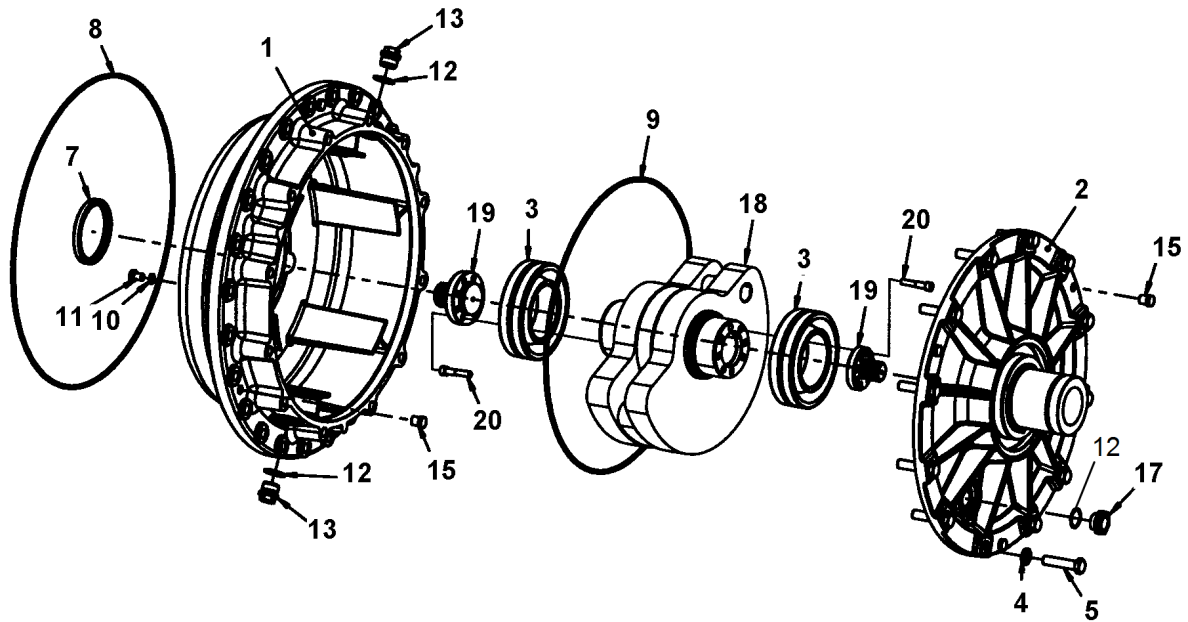
Item	Part No.	Name	Qty	L	SN INFO
1	4812116023	Adapter	1		
4	4700116041	Taper roller bearing	1		
6	4700343318	Bearing housing	1		
8	4700167023	Seal ring	1		
9	4700929447	V-ring	1		
16	4700904231	Washer, 13x24x2 mm 300 HV	4		
17	4700500133	Screw	4		
19	4812113903	O-ring	1		
20	4812112413	Shaft nut	1		
22	4812113476	Plug	1		
23	4700904228	Washer 6,4x12x1,5	1		
24	4700903795	Hexagon socket head cap screw	1		
33	4700160105	O-ring 70	1		

Drum Tooth wheel module



Item	Part No.	Name	Qty	L	SN INFO
1	4812114223	Wheel	1		
2	4700349715	Spring	1		
3	4700340863	Splined sleeve	1		
4	4812113832	Washer	1		
5	4700502053	Screw	1		
7	4812030096	Dynapac Roller Grease	N		

Drum cartridges (D-version) 4812158091 Drum cartridge, vibration side (D version)

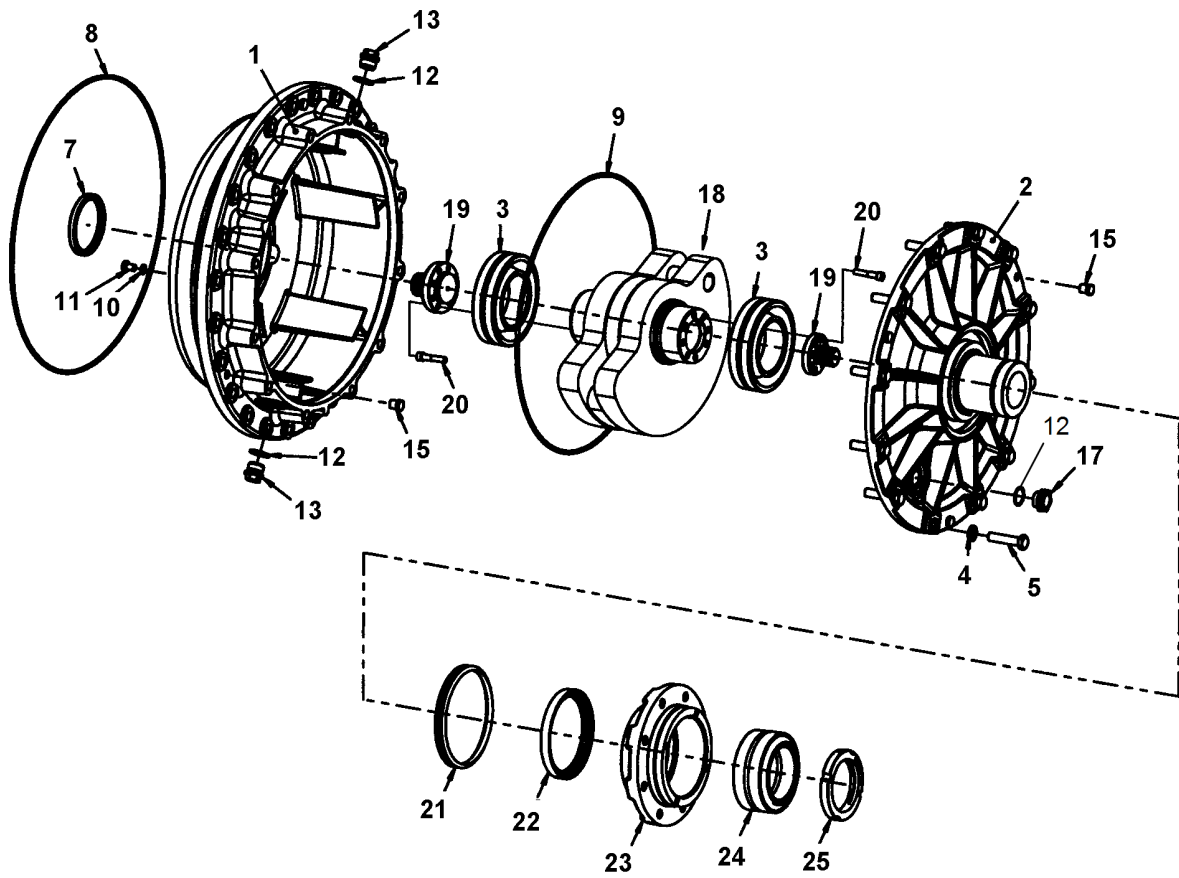


Refer to Parts Online for the most up to date information. The printed information might be outdated.

Wed Nov 14 15:02:45 UTC 2018

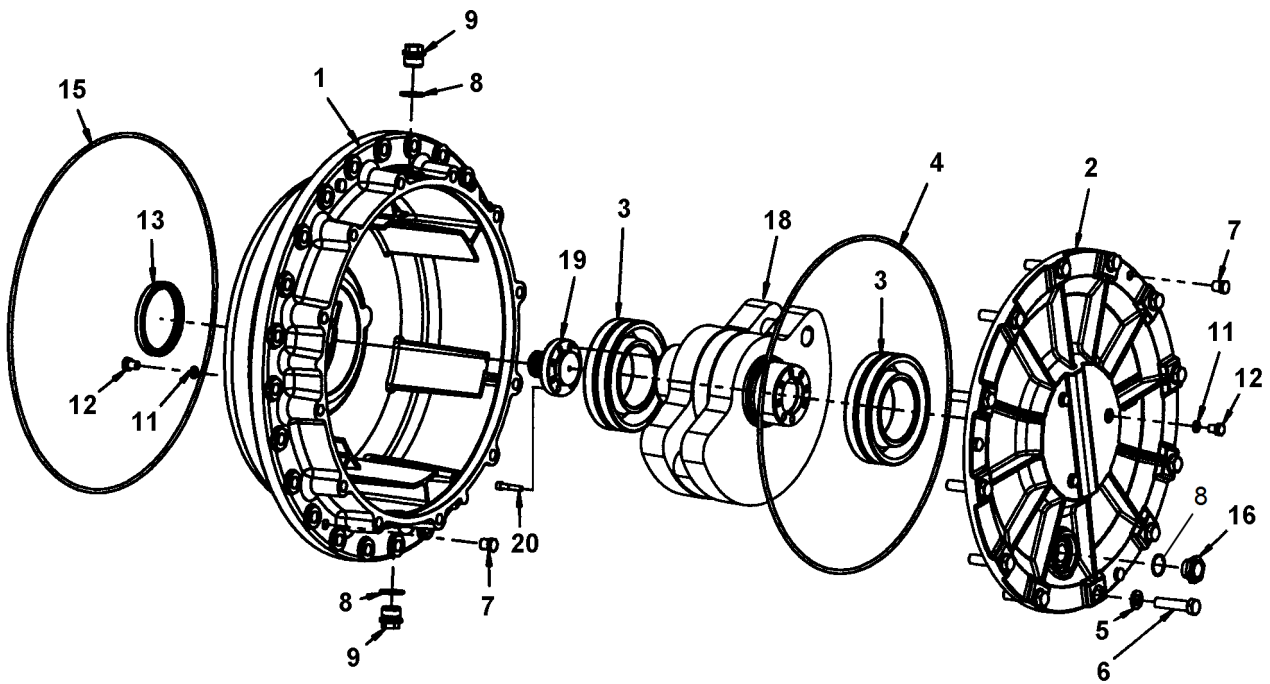
Item	Part No.	Name	Qty	L	SN INFO
1	4812112784	Housing	1		
2	4812112455	Bearing housing	1		
3	4700390896	Spherical roller bearing	2		
4	4700904232	Steel plain washer	12		
5	4700500082	Screw M16x70 8.8	12		
7	4812121209	Seal ring	1		
8	4700900776	O-ring	1		
9	4700900776	O-ring	1		
10	4700162027	Sealing	3		
11	4700500163	Hex. screw	3		
12	4700162017	Seal ring	3		
13	4700343744	Magnetic plug	1		
15	4700900775	Plug	6		
17	4812118814	Oil level glass	1		
18	4812112747	Eccentric shaft	1		
19	4700380018	Splined shaft	2		
20	4700791156	Screw M10-1,5x55 12,9	16		

Drum cartridges (D-version) 4812158096 Drum cartridge with shaft nut, vibration side (D version)



Item	Part No.	Name	Qty	L	SN INFO
1	4812112784	Housing	1		
2	4812112455	Bearing housing	1		
3	4700390896	Spherical roller bearing	2		
4	4700904232	Steel plain washer	12		
5	4700500082	Screw M16x70 8.8	12		
7	4812121209	Seal ring	1		
8	4700900776	O-ring	1		
9	4700900776	O-ring	1		
10	4700162027	Sealing	3		
11	4700500163	Hex. screw	3		
12	4700162017	Seal ring	3		
13	4700343744	Magnetic plug	1		
15	4700900775	Plug	6		
17	4812118814	Oil level glass	1		
18	4812112747	Eccentric shaft	1		
19	4700380018	Splined shaft	2		
20	4700791156	Screw M10-1,5x55 12,9	16		
21	4700929447	V-ring	1		
22	4700167023	Seal ring	1		
23	4700343318	Bearing housing	1		
24	4700116041	Taper roller bearing	1		
25	4812112413	Shaft nut	1		

Drum cartridges (D-version) 4812158086 Drum cartridge, drive side (D version)

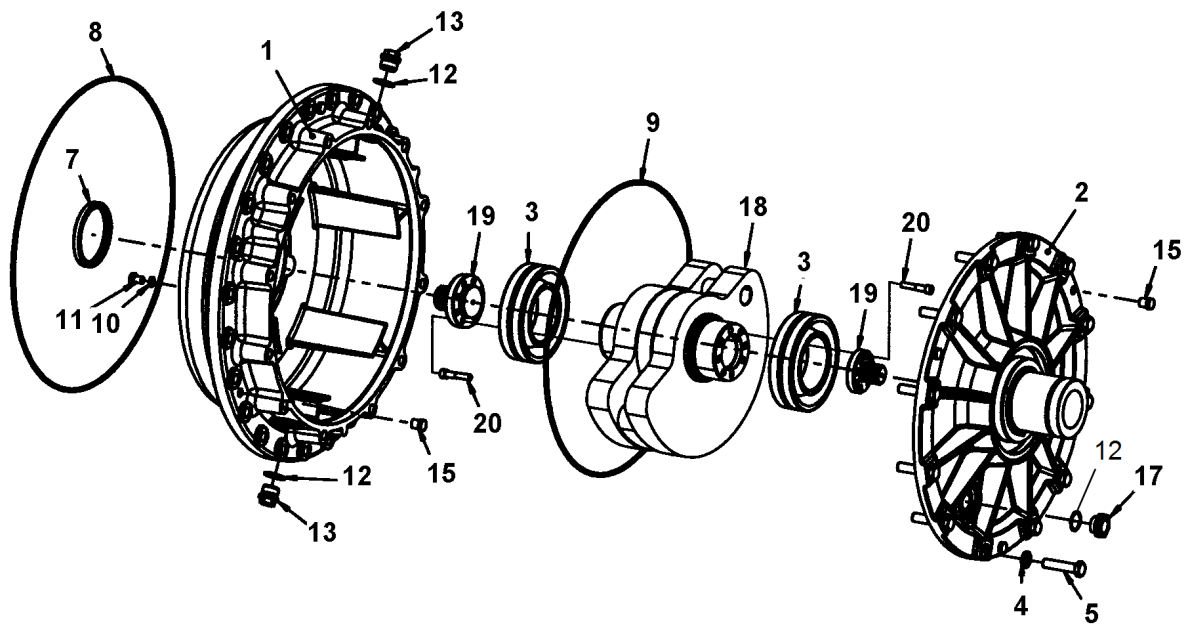


Refer to Parts Online for the most up to date information. The printed information might be outdated.

Wed Nov 14 15:02:46 UTC 2018

Item	Part No.	Name	Qty	L	SN INFO
1	4812112784	Housing	1		
2	4812111122	Bearing housing	1		
3	4700390896	Spherical roller bearing	2		
4	4700900776	O-ring	1		
5	4700904232	Steel plain washer	12		
6	4700500082	Screw M16x70 8.8	12		
7	4700900775	Plug	6		
8	4700162017	Seal ring	3		
9	4700343744	Magnetic plug	2		
11	4700162027	Sealing	6		
12	4700500163	Hex. screw	6		
13	4812121209	Seal ring	1		
15	4700900776	O-ring	1		
16	4812118814	Oil level glass	1		
18	4812112747	Eccentric shaft	1		
19	4700380018	Splined shaft	1		
20	4700791156	Screw M10-1,5x55 12,9	8		

Drum cartridges (PD-version) 4812158090 Drum cartridge, vibration side (PD version)

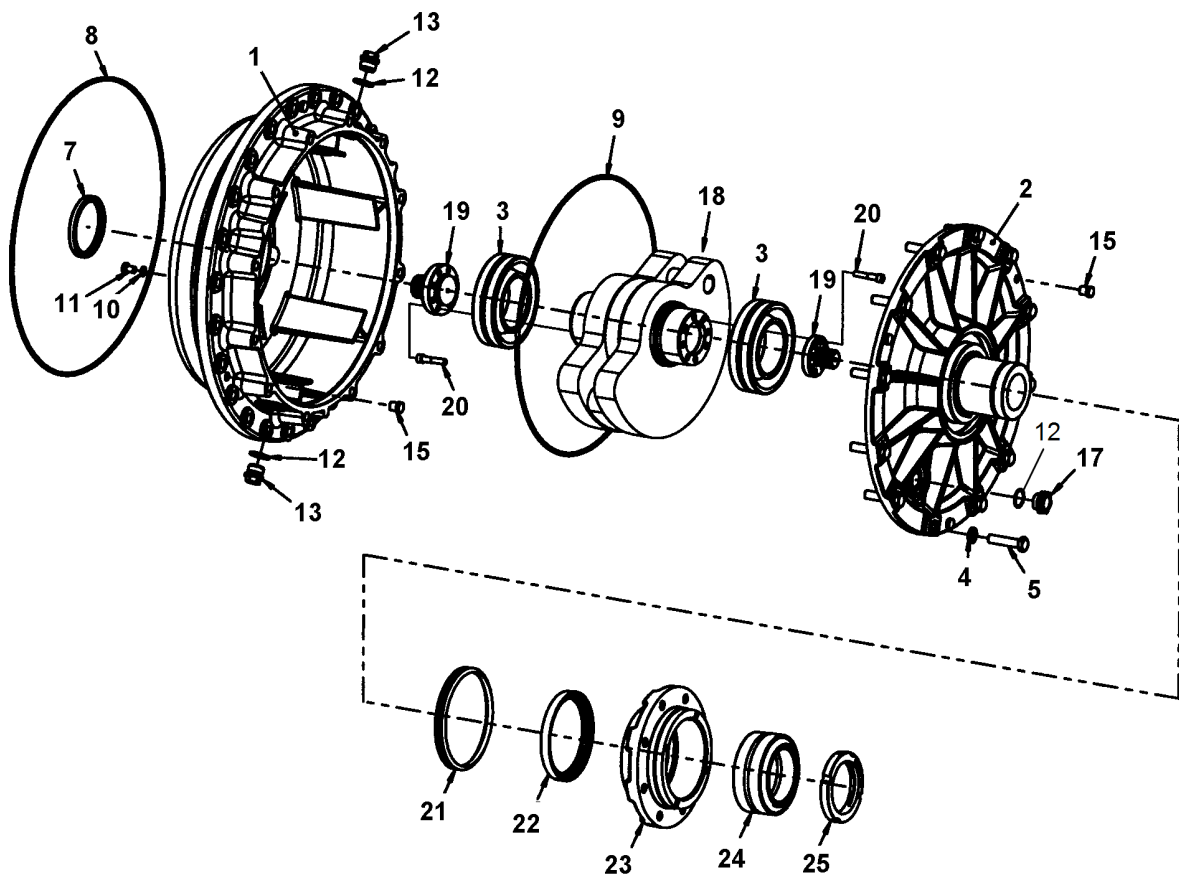


Refer to Parts Online for the most up to date information. The printed information might be outdated.

Wed Nov 14 15:02:46 UTC 2018

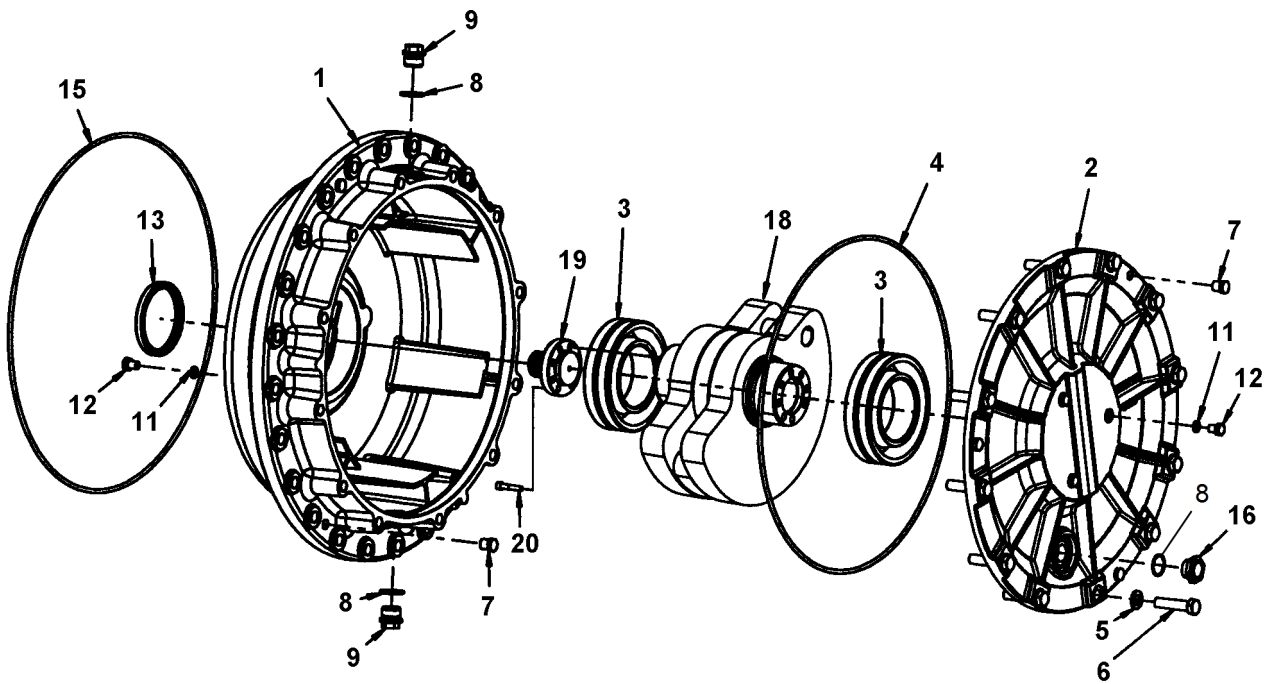
Item	Part No.	Name	Qty	L	SN INFO
1	4812112784	Housing	1		
2	4812112455	Bearing housing	1		
3	4700390896	Spherical roller bearing	2		
4	4700904232	Steel plain washer	12		
5	4700500082	Screw M16x70 8.8	12		
7	4812121209	Seal ring	1		
8	4700900776	O-ring	1		
9	4700900776	O-ring	1		
10	4700162027	Sealing	3		
11	4700500163	Hex. screw	3		
12	4700162017	Seal ring	3		
13	4700343744	Magnetic plug	1		
15	4700900775	Plug	6		
17	4812118814	Oil level glass	1		
18	4812114274	Eccentric shaft	1		
19	4700380018	Splined shaft	2		
20	4700791156	Screw M10-1,5x55 12,9	16		

Drum cartridges (PD-version) 4812158095 Drum cartridge with shaft nut, vibration side (PD version)



Item	Part No.	Name	Qty	L	SN INFO
1	4812112784	Housing	1		
2	4812112455	Bearing housing	1		
3	4700390896	Spherical roller bearing	2		
4	4700904232	Steel plain washer	12		
5	4700500082	Screw M16x70 8.8	12		
7	4812121209	Seal ring	1		
8	4700900776	O-ring	1		
9	4700900776	O-ring	1		
10	4700162027	Sealing	3		
11	4700500163	Hex. screw	3		
12	4700162017	Seal ring	3		
13	4700343744	Magnetic plug	1		
15	4700900775	Plug	6		
17	4812118814	Oil level glass	1		
18	4812114274	Eccentric shaft	1		
19	4700380018	Splined shaft	2		
20	4700791156	Screw M10-1,5x55 12,9	16		
21	4700929447	V-ring	1		
22	4700167023	Seal ring	1		
23	4700343318	Bearing housing	1		
24	4700116041	Taper roller bearing	1		
25	4812112413	Shaft nut	1		

Drum cartridges (PD-version) 4812158085 Drum cartridge, drive side (PD version)

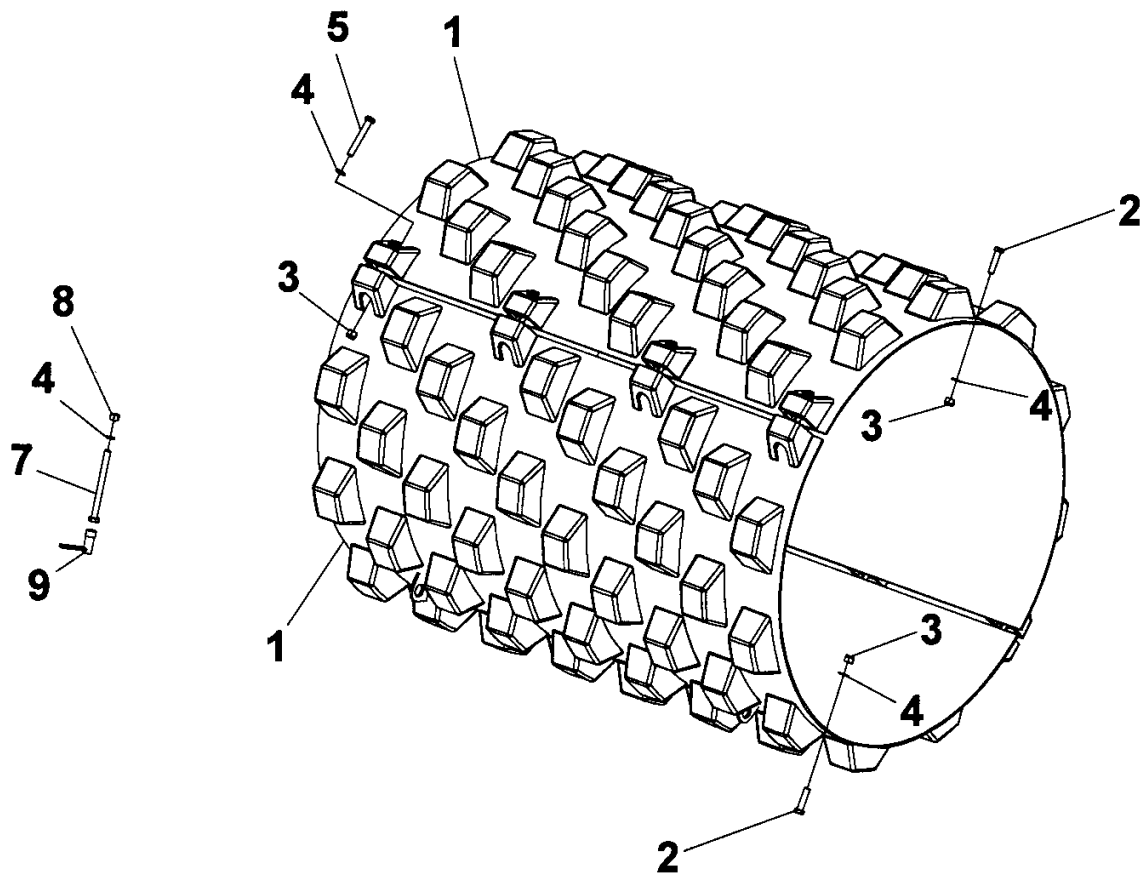


Refer to Parts Online for the most up to date information. The printed information might be outdated.

Wed Nov 14 15:02:47 UTC 2018

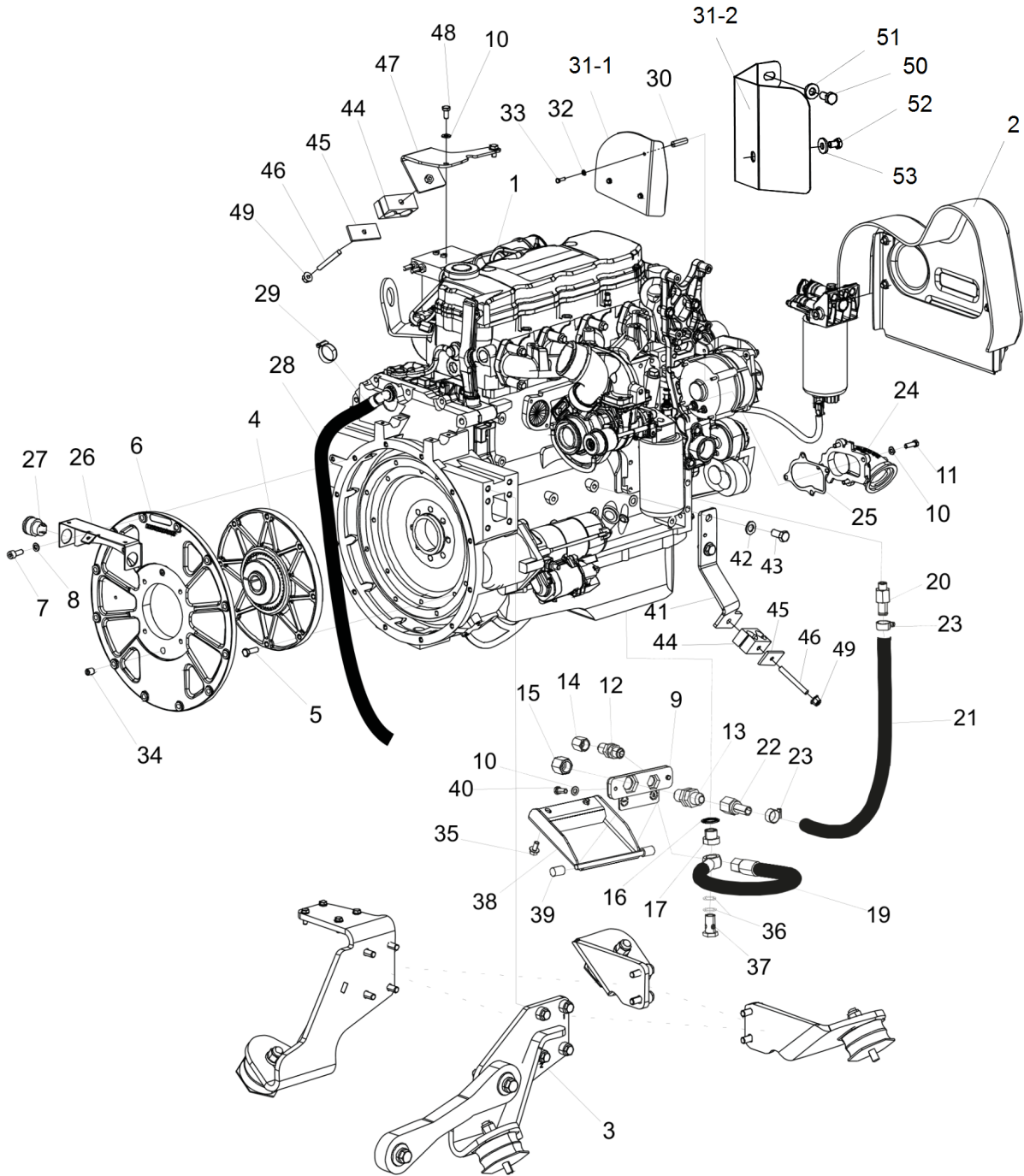
Item	Part No.	Name	Qty	L	SN INFO
1	4812112784	Housing	1		
2	4812111122	Bearing housing	1		
3	4700390896	Spherical roller bearing	2		
4	4700900776	O-ring	1		
5	4700904232	Steel plain washer	12		
6	4700500082	Screw M16x70 8.8	12		
7	4700900775	Plug	6		
8	4700162017	Seal ring	3		
9	4700343744	Magnetic plug	2		
11	4700162027	Sealing	6		
12	4700500163	Hex. screw	6		
13	4812121209	Seal ring	1		
15	4700900776	O-ring	1		
16	4812118814	Oil level glass	1		
18	4812114274	Eccentric shaft	1		
19	4700380018	Splined shaft	1		
20	4700791156	Screw M10-1,5x55 12,9	8		

Drum Pad shell, option



Item	Part No.	Name	Qty	L	SN INFO
KIT	4812117550	Bolt on pad shell kit	1		
1	4812114382	Pad shell	2		
2	4700500207	Hexagon head screw	4		
3	4700586022	Lock nut	12		
4	4700904233	Steel plain washer 21x36x3	12		
5	4700500286	Screw M20-2,5x140 8.8	8		
7	4700382572	Mounting screw	4		
8	4700570015	Lock nut	4		
9	4700382571	Hexagon sleeve	1		

Engine Engine



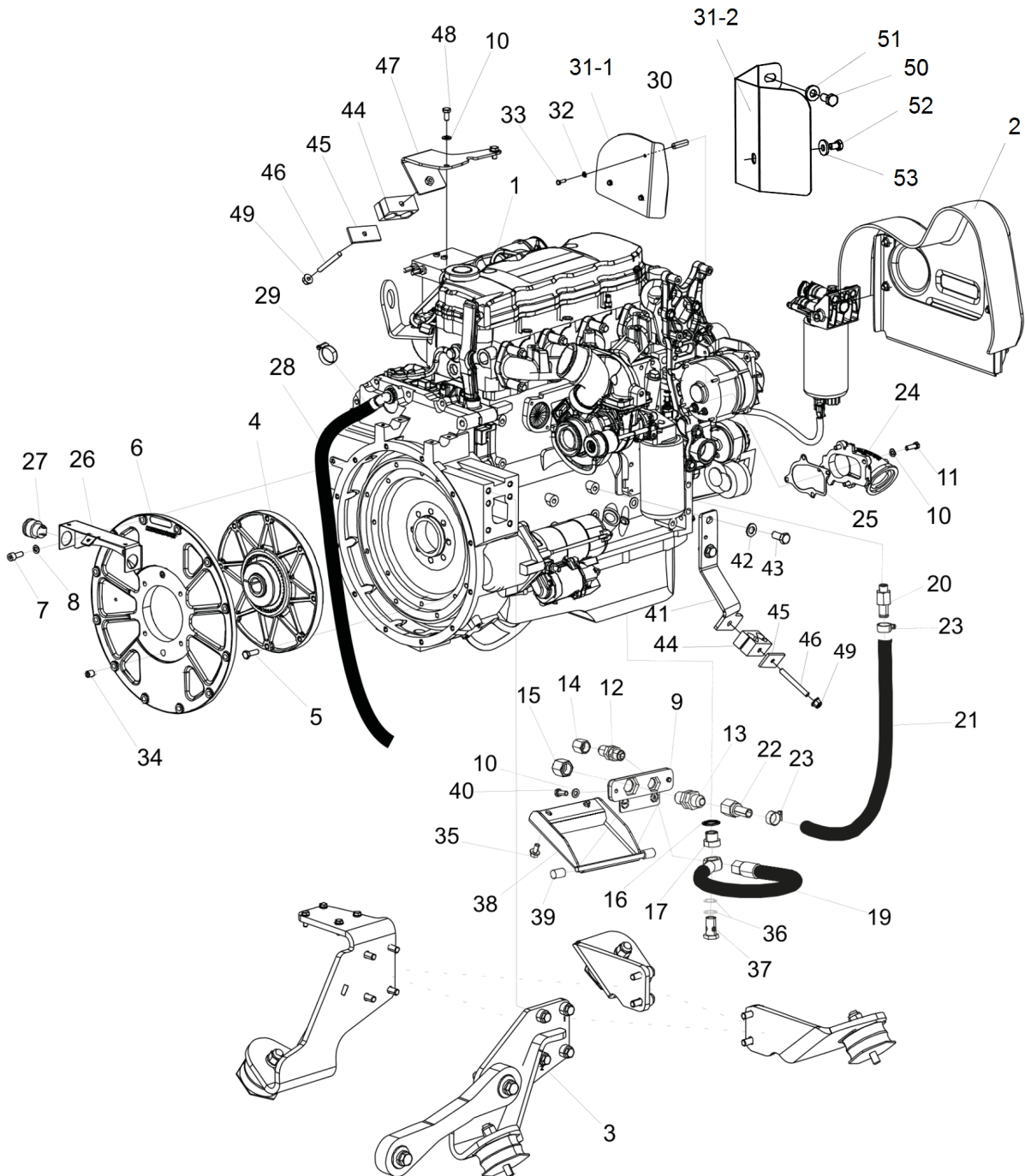
Refer to Parts Online for the most up to date information. The printed information might be outdated.

Wed Nov 14 15:02:48 UTC 2018

Item	Part No.	Name	Qty	L	SN INFO
1	-	Diesel engine	1		
2	-	Belt guard module	1		
3	-	Bracket module	1		
4	4812112015	Coupling	1		
5	4700502036	Screw 3/8"-16UNCx11/4"8.8	8		
6	4812118847	Bracket	1		
7	4700508053	Screw	12		
8	4700904637	Washer	12		
9	4812118823	Bracket	1		
10	4700904229	Washer, 8.4x 6x1.5 mm 300HV	8		
11	4700500021	Screw, M8x25 mm 8.8 A2K	4		
12	4700230515	Connector	1		
13	4700230516	Adapter	1		
14	4700330383	Cap JIC, steel	1		
15	4700230384	Cap	1		
16	4811000151	Washer sealing	1		
17	4700379480	Reducer	1		
19	4700372587	Hydraulic hose	1		
20	4700391303	Hose connection	1		
21	4700205112	Coolant hose	1XL	A	
22	4700792502	Hose connection	1		
23	4700313003	Hose clamp	2		
24	4700390618	Exhaust connection	1		
25	4700394322	Gasket	1		
26	4812112355	Holder	1		
27	4700395816	Plug socket 24V	1		
28	4700791468	Hydraulic hose	1		
29	4700313035	Clamp	1		
30	4812118095	Spacer sleeve	3		
31-1	4812118094	Heat protection	1		
31-2	4812123810	Heat protection	1		
32	4700904281	Washer, 5,3x10x1 300HV	3		
33	4700500006	Screw M5x16	3		
34	4700516025	Set screw	2		
35	4700500053	Screw, M8x20 mm 8.8 A2K	2		
36	4700330331	Washer 18,2x23,9x1,5	2		
37	4700904292	Hollow screw	1		
38	4812120562	Cover	1		

Refer to Parts Online for the most up to date information. The printed information might be outdated.

Wed Nov 14 15:02:48 UTC 2018



Refer to Parts Online for the most up to date information. The printed information might be outdated.

Wed Nov 14 15:02:48 UTC 2018

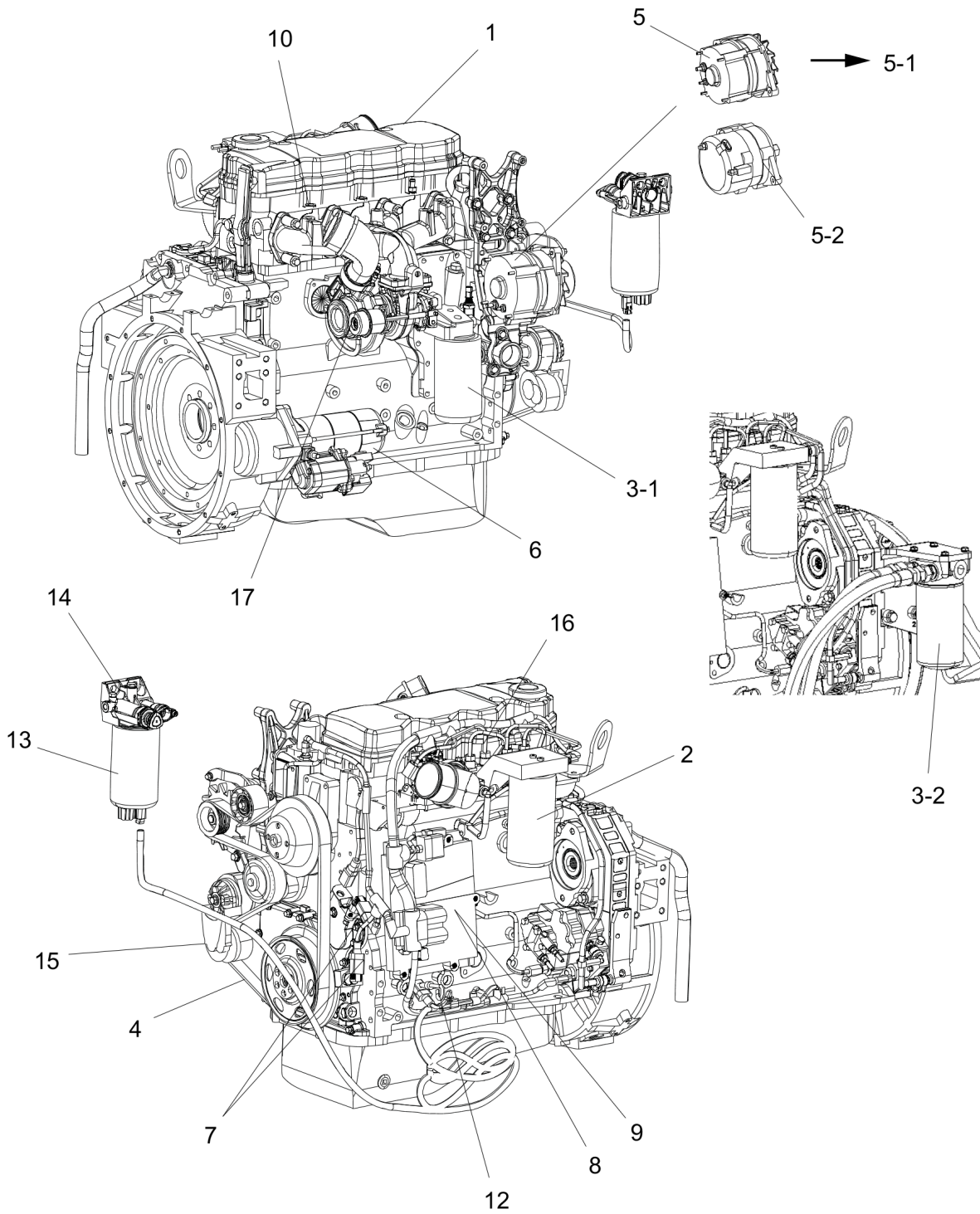
Item	Part No.	Name	Qty	L	SN INFO
39	4700246069	Rubber hose	1XL		
40	4700901832	Screw, M08x16, 8.8	2		
41	4812115857	Hose holder	1		
42	4700904231	Washer, 13x24x2 mm 300 HV	2		
43	4700500051	Hex. screw	2		
44	4700287295	Clamp	2		
45	4700287294	Cover plate	2		
46	4700532032	Stud	2		
47	4812115858	Hose holder	1		
48	4700500019	Hexagon screw	2		
49	4700902286	Lock nut, M8x1.25 mm A2K	2		
50	4700500048	Screw, M10x20 mm 8.8 A3K	1		
51	4700904557	Washer, 10.5x22x4 mm 300 HV	1		
52	4700500018	Hex. screw	1		
53	4700904640	Washer, 8.4x22x3 mm 300HV	1		

Comments for Page: Engine

(L)OCAL REMARKS

A | en_US | L = 0.53m

Engine Diesel engine



Refer to Parts Online for the most up to date information. The printed information might be outdated.

Wed Nov 14 15:02:49 UTC 2018

Item	Part No.	Name	Qty	L	SN INFO
1	4812113480	Diesel engine Cummins QSB4.5 119kW - 3A	1		
1	4812116424	Diesel engine Cummins QSB4.5 119kW - 3A	1	A	
1	4812116425	Diesel engine Cummins QSB4.5 119kW - 3A	1	B	
1	4812113481	Diesel engine Cummins QSB4.5 97kW - 3A	1		
1	4812116422	Diesel engine Cummins QSB4.5 97kW - 3A	1	A	
1	4812116423	Diesel engine Cummins QSB4.5 97kW - 3A	1	B	
1	4812113482	Diesel engine Cummins QSB4.5 82kW - 3A	1		
1	4812116420	Diesel engine Cummins QSB4.5 82kW - 3A	1	A	
1	4812116421	Diesel engine Cummins QSB4.5 82kW - 3A	1	B	
2	4700945624	Filter, fuel	1		
3-1	4700945145	Oil filter element	1	1	
3-2	4700939082	Oil filter	1	2	
4	4812158083	Fan belt	1	D	
5	4700945768	Alternator	1		
5-1	4812160763	Alternator field kit CA/CC	1		
5-2	4812160764	Alternator	1		
6	4812159499	Starter motor	1		
7	4812158064	Sensor, position	2		
8	4700950140	Sensor, pressure	1		
9	4700940533	Oil pressure sensor	1		
10	4812158065	Sensor, prs temperature	1		
11	4700945887	Sensor water temperature	1		
12	4700945770	Oil dipstick	1		
13	4700945147	Fuel prefilter	1		
14	4812158196	Fuel filter head	1		
15	4700950313	Water pump	1		
16	4700945626	Injector	4		
17	4812159165	Turbo charger, cpl	1		

Comments for Page: Diesel engine

(L)OCAL REMARKS

A | en_US | Non certified.

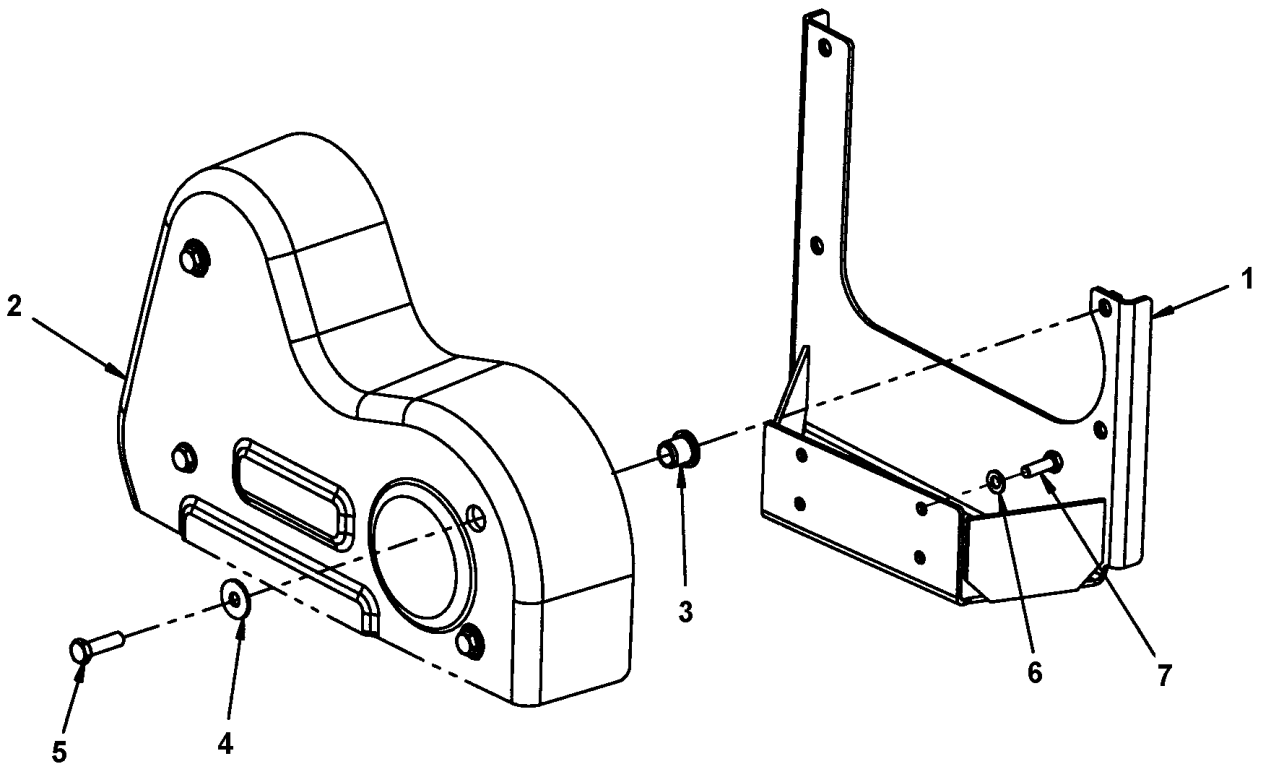
B | en_US | EU flex.

D | en_US | Without AC/ACC installation. For AC/ACC see section for optional equipment.

1 | en_US | Non-remote engine oil filter.

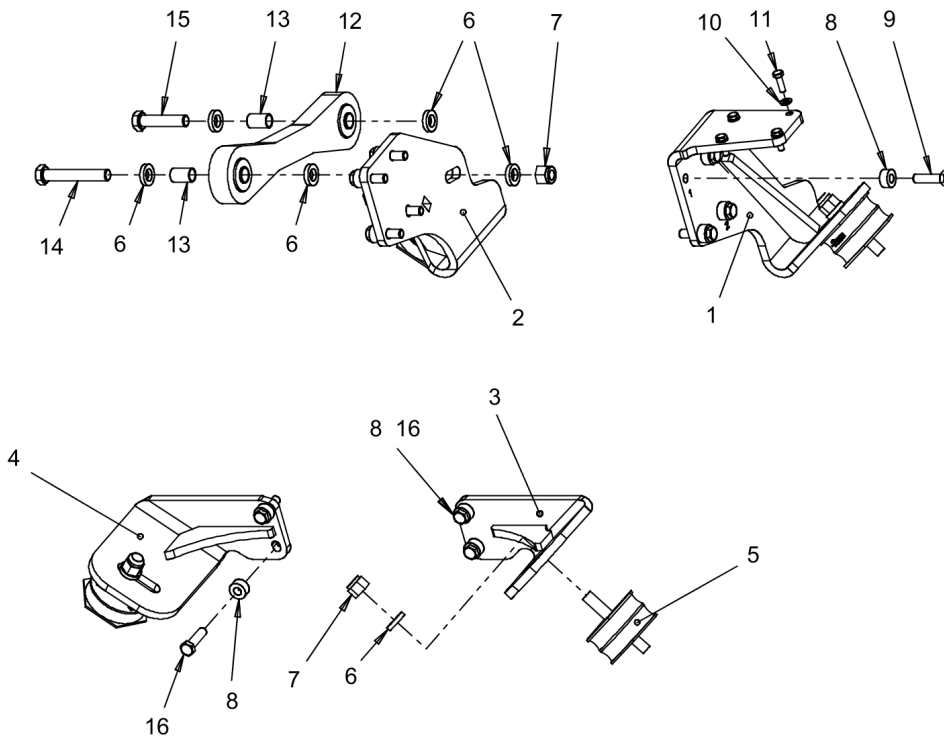
2 | en_US | Remote engine oil filter.

Engine Belt guard module



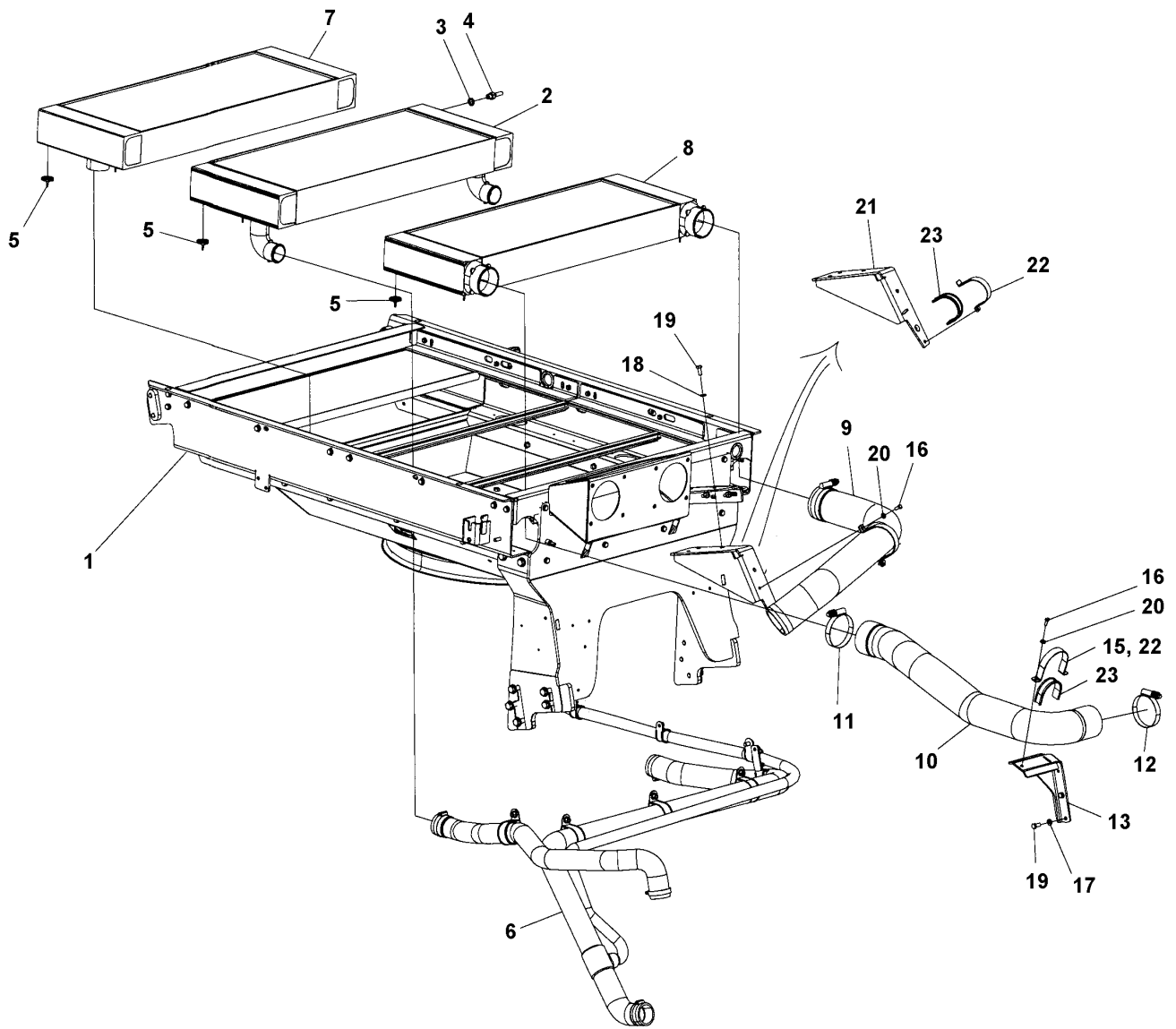
Item	Part No.	Name	Qty	L	SN INFO
1	4812117166	Bracket	1		
2	4812117165	Belt guard	1		
3	4812118203	Shock absorber	4		
4	4700928441	Washer, 21 x 45 mm	4		
5	4700500030	Hexagon head screw	4		
6	4700904229	Washer, 8.4x 6x1.5 mm 300HV	4		
7	4700500021	Screw, M8x25 mm 8.8 A2K	4		

Engine Bracket module



Item	Part No.	Name	Qty	L	SN INFO
1	4812114230	Bracket	1		
2	4812118338	Bracket	1		
3	4812114232	Bracket	1		
4	4812114233	Bracket	1		
5	4812114396	Shock absorber	4		
6	4700904558	Washer, 17x30x6 mm 300 HV	9		
7	4700586021	Lock nut	5		
8	4700359989	Spacer sleeve	12		
9	4700500056	Screw, M12x45 mm 8.8 A3K	12		
10	4700904229	Washer, 8.4x 6x1.5 mm 300HV	4		
11	4700500022	Screw	4		
12	4812118287	Strut	1		
13	4812118432	Spacer sleeve	2		
14	4700500107	Screw M16x100 8.8	1		
15	4700500082	Screw M16x70 8.8	1		
16	4812123005	Hexagon socket head cap screw M12x55 10.9	4		

Engine Cooling system



Refer to Parts Online for the most up to date information. The printed information might be outdated.

Wed Nov 14 15:02:49 UTC 2018

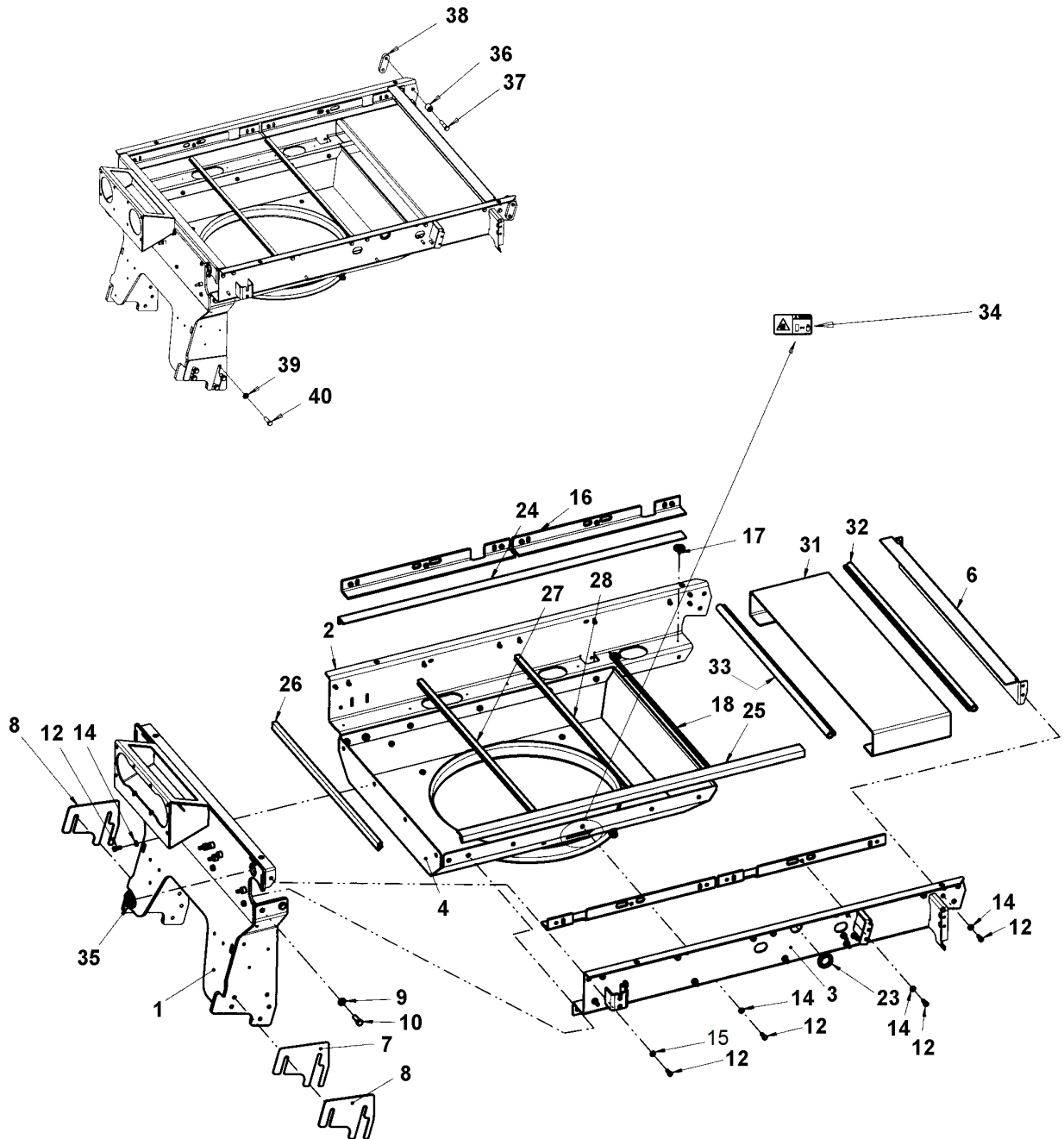
Item	Part No.	Name	Qty	L	SN INFO
1	-	Cooler stand module	1		
2	4812121925	Water cooler	1		
3	4700162004	Sealing	1		
4	4700792322	Hose connection	1		
5	4812112097	Shock absorber	12		
6	-	Hose assy kit	1		
7	4812121866	Hydraulic oil cooler	1		
8	4812121815	Charge air cooler	1		
9	4812121844	Charge air hose	1		
10	4812117161	Charge air hose	1		
11	4700392810	Clamp	2		
12	4700386966	Hose clamp 2.3/4"-3.5/8"	2		
13	4812115544	Bracket	1		
16	4700500013	Screw, M6x16 mm 8.8 A2K	3		
17	4700904229	Washer, 8.4x 6x1.5 mm 300HV	2		
18	4700904556	Steel plain washer 8,4x16x3,0	3		
19	4700500053	Screw, M8x20 mm 8.8 A2K	5		
20	4700603001	Washer	3		
21	4812119357	Bracket	1		
22	4812118128	Clamp	2		
23	4812117602	Strip	2XL	A	

Comments for Page: Cooling system

(L)OCAL REMARKS

A | en_US | L = 0.2m

Cooler stand module To A015844 Cooler stand module



Refer to Parts Online for the most up to date information. The printed information might be outdated.

Wed Nov 14 15:02:50 UTC 2018

Item	Part No.	Name	Qty	L	SN INFO
1	4812118494	Cooler stand	1		
2	4812110768	Bracket	1		
3	4812110769	Bracket	1		
4	4812113629	Fan casing	1		
6	4812111264	Cover plate	1		
7	4812113878	Shim	N		
8	4812113879	Shim	N		
9	4700904231	Washer, 13x24x2 mm 300 HV	4		
10	4700500037	Hex. screw	4		
12	4700500053	Screw, M8x20 mm 8.8 A2K	30		
14	4700904556	Steel plain washer 8,4x16x3,0	28		
15	4700904640	Washer, 8.4x22x3 mm 300HV	2		
16	4700392075	Bracket	4		
17	4812112097	Shock absorber	4		
18	4700791460	Edge strip	1XL	A	
23	4812114465	Grommet with membrane	1		
24	4812113708	Rubber strip	1XL	B	
25	4812113708	Rubber strip	1XL	B	
26	4700391299	Rubber strip	1XL	C	
27	4700391299	Rubber strip	1XL	D	
28	4700391299	Rubber strip	1XL	D	
31	4812113820	Cover plate	1		
32	4700288129	Rubber edge trim	1XL	E	
33	4700288129	Rubber edge trim	1XL	F	
34	4700903423	Safety label, Rotating engine components	2		
35	4812119127	Grommet with membrane	1		
36	4700383024	Spacer sleeve	4		
37	4700925519	Screw M12x55 10.9 GEOMET	4		
38	4812110930	Nut-plate	2		
39	4700904231	Washer, 13x24x2 mm 300 HV	10		
40	4700947689	Hex. head screw M12	10		

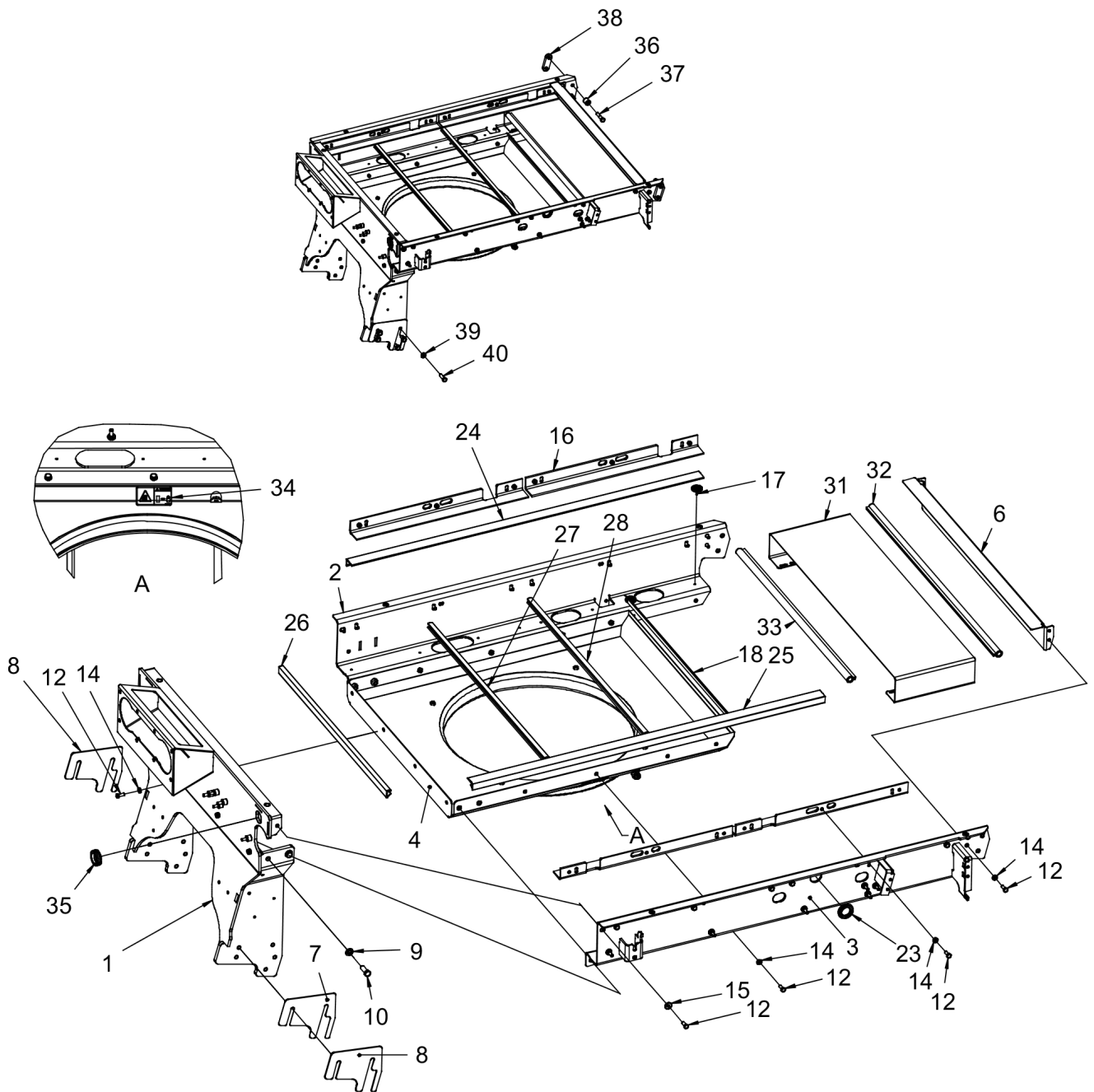
Comments for Page: Cooler stand module

(L)OCAL REMARKS

- A | en_US | L = 0.77m
- B | en_US | L = 1.24m
- C | en_US | L = 0.785m
- D | en_US | L = 0.85
- E | en_US | L = 0.93m
- F | en_US | L = 0.83m

This page intentionally left blank

Cooler stand module From A015845 Cooler stand module

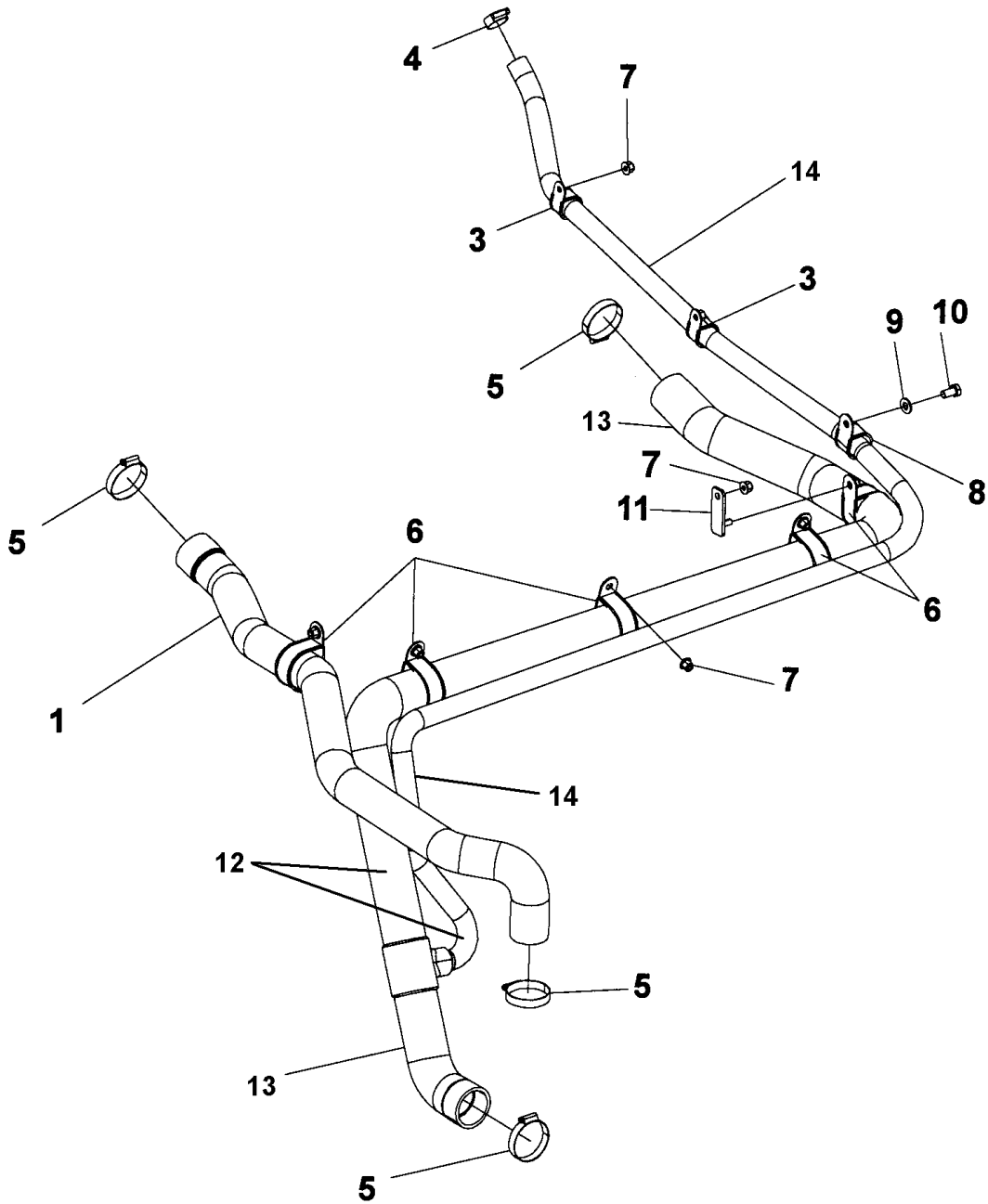


Refer to Parts Online for the most up to date information. The printed information might be outdated.

Wed Nov 14 15:02:51 UTC 2018

Item	Part No.	Name	Qty	L	SN INFO
1	4812118494	Cooler stand	1		
2	4812110768	Bracket	1		
3	4812110769	Bracket	1		
4	4812122556	Fan casing	1		
6	4812111264	Cover plate	1		
7	4812113878	Shim	N		
8	4812113879	Shim	N		
9	4700904231	Washer, 13x24x2 mm 300 HV	4		
10	4700500037	Hex. screw	4		
12	4700500053	Screw, M8x20 mm 8.8 A2K	30		
14	4700904556	Steel plain washer 8,4x16x3,0	28		
15	4700904640	Washer, 8.4x22x3 mm 300HV	2		
16	4700392075	Bracket	4		
17	4812112097	Shock absorber	4		
18	4700791460	Edge strip	0,77		
23	4812114465	Grommet with membrane	1		
24	4812113708	Rubber strip	1,24		
25	4812113708	Rubber strip	1,24		
26	4700391299	Rubber strip	0,79		
27	4700391299	Rubber strip	0,85		
28	4700391299	Rubber strip	0,85		
31	4812113820	Cover plate	1		
32	4700288129	Rubber edge trim	0,93		
33	4700288129	Rubber edge trim	0,81		
34	4700903423	Safety label, Rotating engine components	2		
35	4812119127	Grommet with membrane	1		
36	4700383024	Spacer sleeve	4		
37	4700925519	Screw M12x55 10.9 GEOMET	4		
38	4812110930	Nut-plate	2		
39	4700904231	Washer, 13x24x2 mm 300 HV	10		
40	4700947689	Hex. head screw M12	10		

Engine Hose assy kit

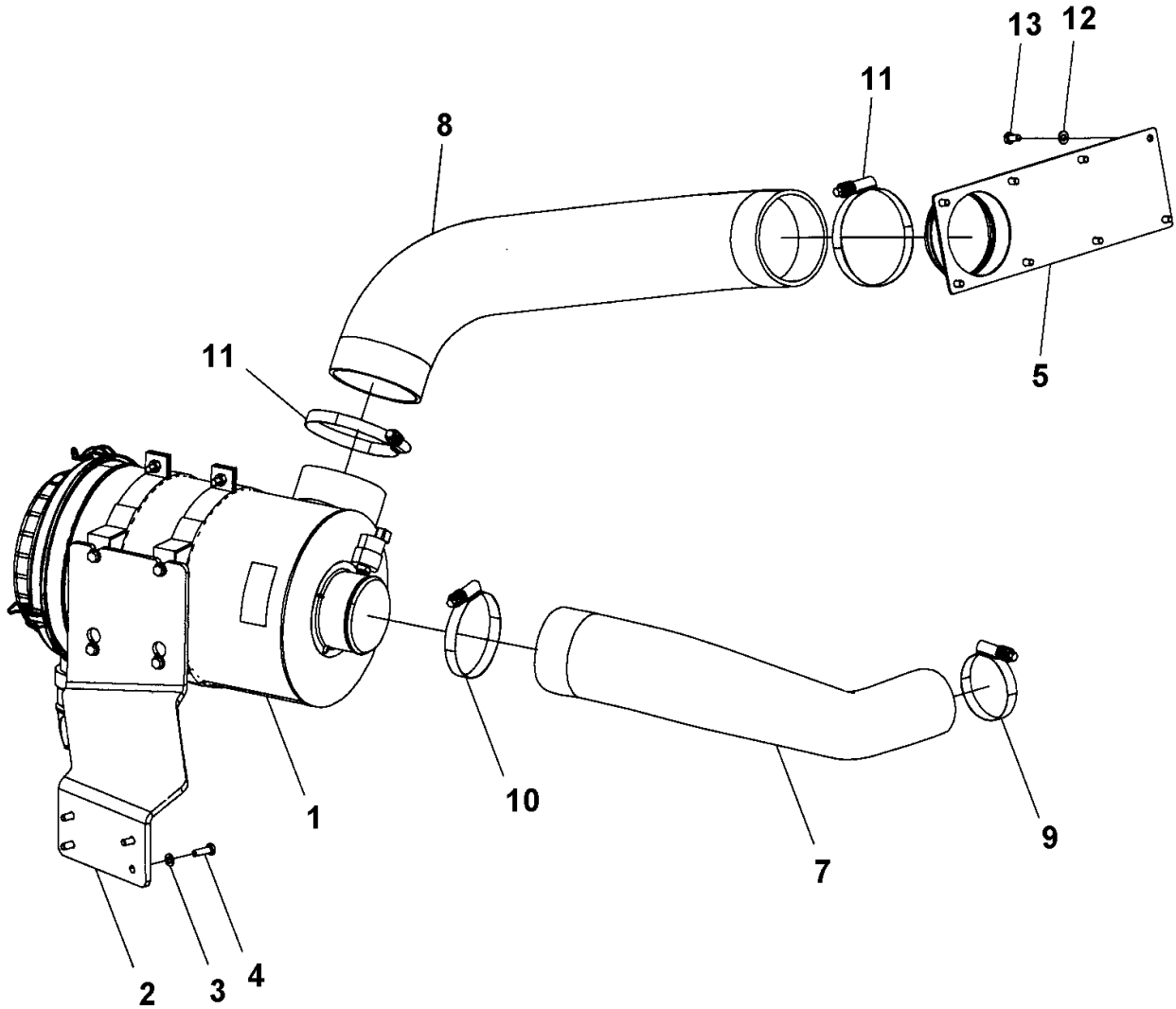


Refer to Parts Online for the most up to date information. The printed information might be outdated.

Wed Nov 14 15:02:51 UTC 2018

Item	Part No.	Name	Qty	L	SN INFO
1	4812115539	Coolant hose	1		
3	4700921050	Clamp	2		
4	4700313004	Hose clamp 19-29mm	1		
5	4700313010	Hose clamp	4		
6	4700903703	Clamp	5		
7	4700902286	Lock nut, M8x1.25 mm A2K	8		
8	4700923008	Clamp	1		
9	4700904230	Steel plain washer	1		
10	4700500048	Screw, M10x20 mm 8.8 A3K	1		
11	4812116107	Holder	1		
12	4812114149	Cooler hose	1		
13		Cooler hose	1		
14		Cooler hose	1		

Engine Air cleaner

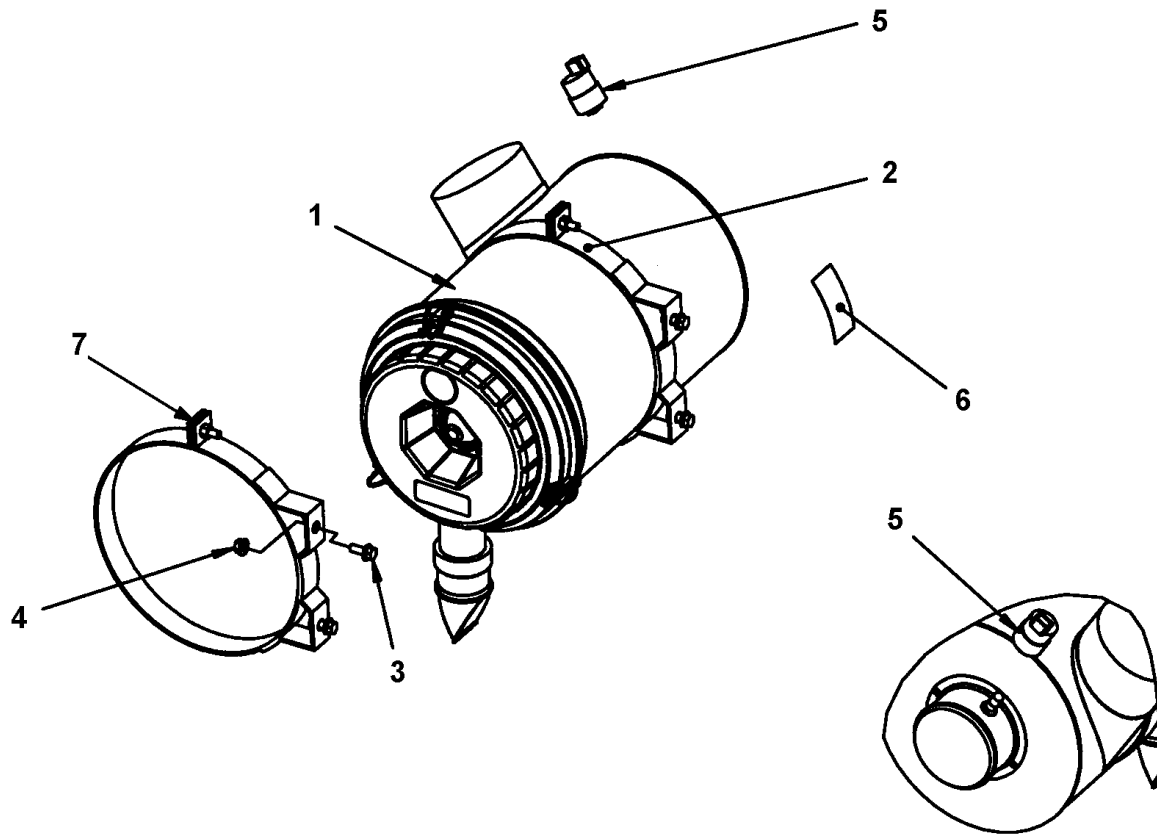


Refer to Parts Online for the most up to date information. The printed information might be outdated.

Wed Nov 14 15:02:51 UTC 2018

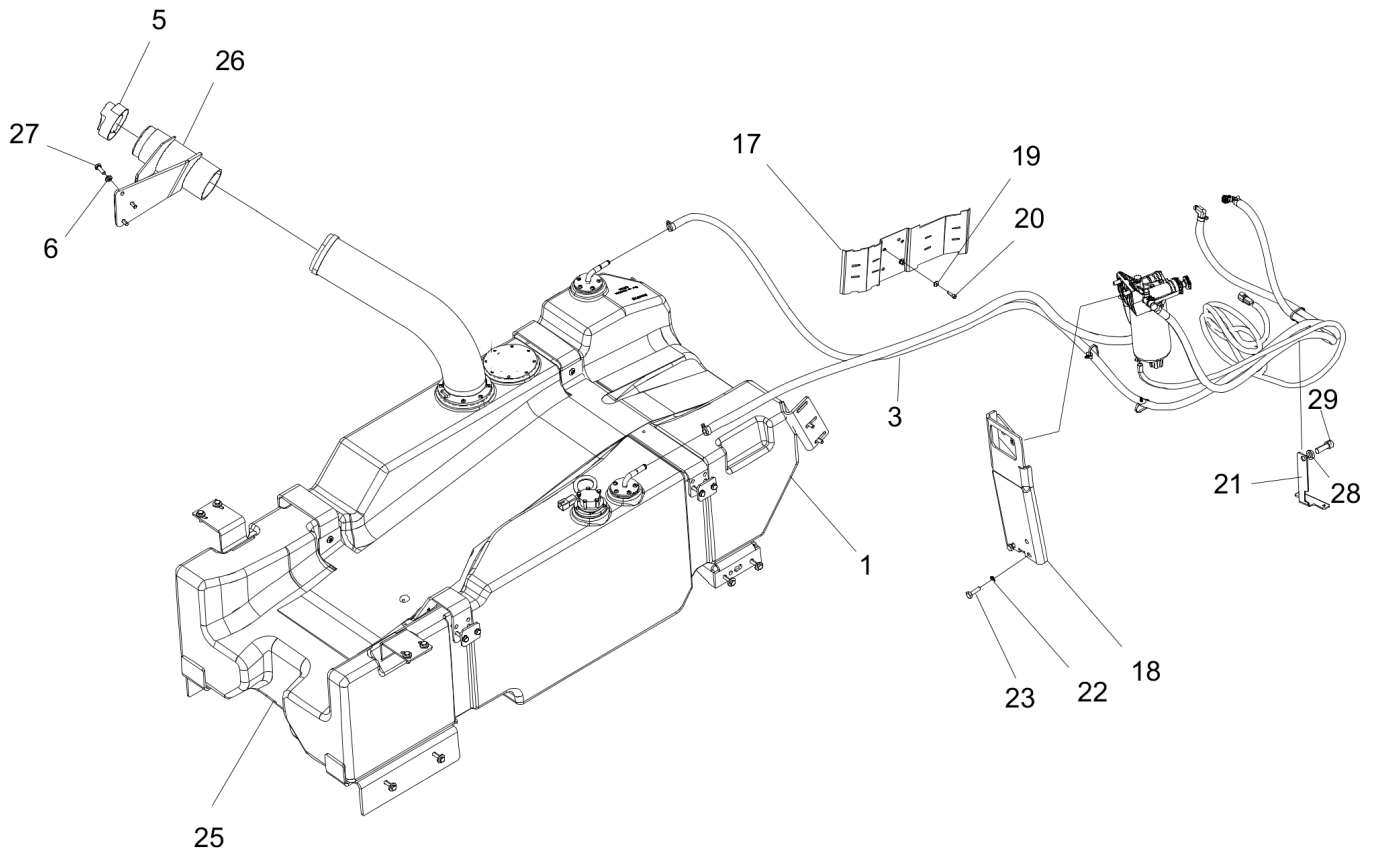
Item	Part No.	Name	Qty	L	SN INFO
1	-	Air cleaner module	1		
2	4812114722	Bracket	1		
3	4700904229	Washer, 8.4x 6x1.5 mm 300HV	4		
4	4700500021	Screw, M8x25 mm 8.8 A2K	4		
5	4812113573	Air intake duct	1		
7	4812123020	Air intake hose	1		
8	4812114724	Air intake hose	1		
9	4700386966	Hose clamp 2.3/4"-3.5/8"	1		
10	4700378712	Clamp	1		
11	4812118433	Hose clamp	2		
12	4700904556	Steel plain washer 8,4x16x3,0	8		
13	4700500053	Screw, M8x20 mm 8.8 A2K	8		

Engine Air cleaner module



Item	Part No.	Name	Qty	L	SN INFO
1	4700394679	Air cleaner	1		
1	4700908399	Vacuator valve	1		
1	4700394686	Air filter, main	1		
1	4700394687	Air filter, safety	1		
1	4700395022	Cover	1		
2	4700813791	Mounting band	2		
3	4700500505	Screw, M8x20 mm 8.8 A2K	4		
4	4700903586	Nut, M8x1.25 mm A2K	6		
5	4700904575	Indicator	1		
6	4700791642	Decal "WARNING" Use of starting fluid prohib.	1		
7	4700904229	Washer, 8.4x 6x1.5 mm 300HV	2		

Fuel system Fuel system

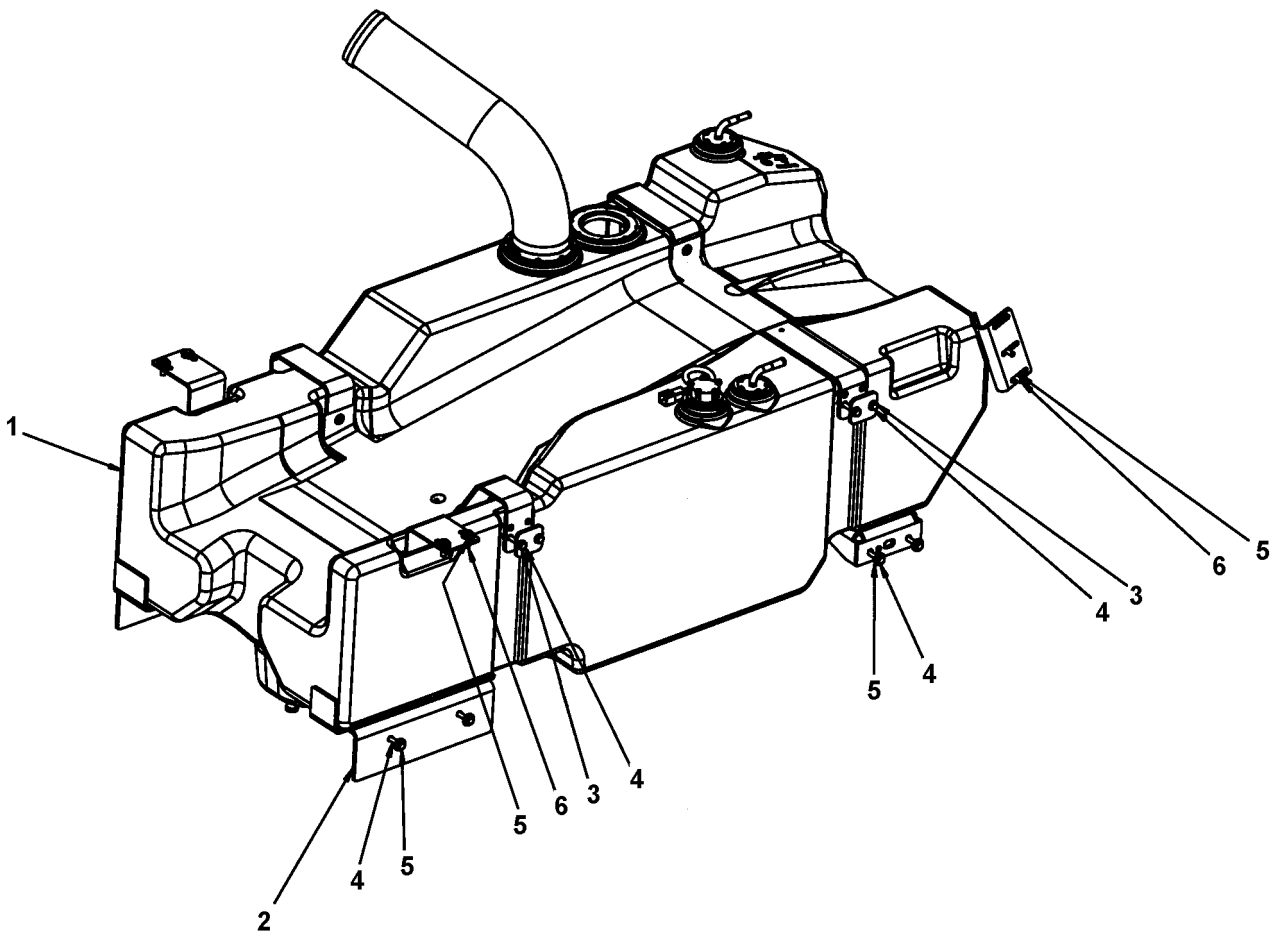


Refer to Parts Online for the most up to date information. The printed information might be outdated.

Wed Nov 14 15:02:51 UTC 2018

Item	Part No.	Name	Qty	L	SN INFO
1	-	Fuel tank module	1		
3	-	Fuel hoses	1		
5	4700380436	Fuel cap	1		
6	4700904556	Steel plain washer 8,4x16x3,0	3		
17	4812114212	Bracket	1		
18	4812115902	Bracket	1		
19	4700603001	Washer	2		
20	4700508025	Screw, M6x20 mm 8.8 A2K	2		
21	4812123006	Holder	1		
22	4700904229	Washer, 8.4x 6x1.5 mm 300HV	2		
23	4700500029	Steel plain washer	2		
25	-	Draining module, option	1		
26	4812120376	Bracket	1		
27	4700500021	Screw, M8x25 mm 8.8 A2K	3		
28	4700358230	Spacer sleeve	1		
29	4700508079	Cylinder screw	1		

Fuel system Fuel tank module

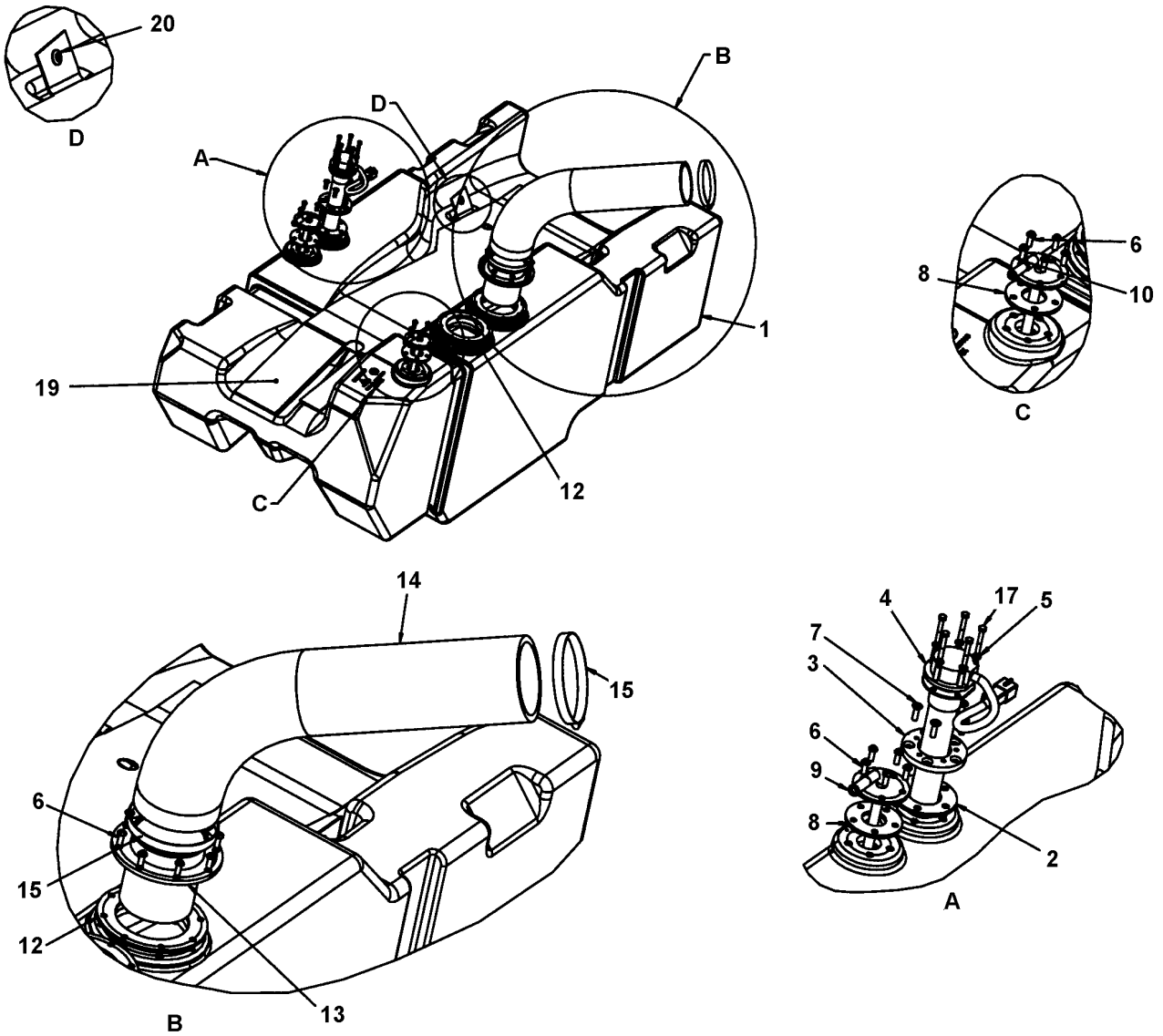


Refer to Parts Online for the most up to date information. The printed information might be outdated.

Wed Nov 14 15:02:51 UTC 2018

Item	Part No.	Name	Qty	L	SN INFO
1	-	Fuel Tank	1		
2	-	Brackets assy	1		
3	4700904229	Washer, 8.4x 6x1.5 mm 300HV	8		
4	4700500024	Screw M8x45	16		
5	4700904640	Washer, 8.4x22x3 mm 300HV	16		
6	4700500021	Screw, M8x25 mm 8.8 A2K	8		

Fuel system Fuel tank

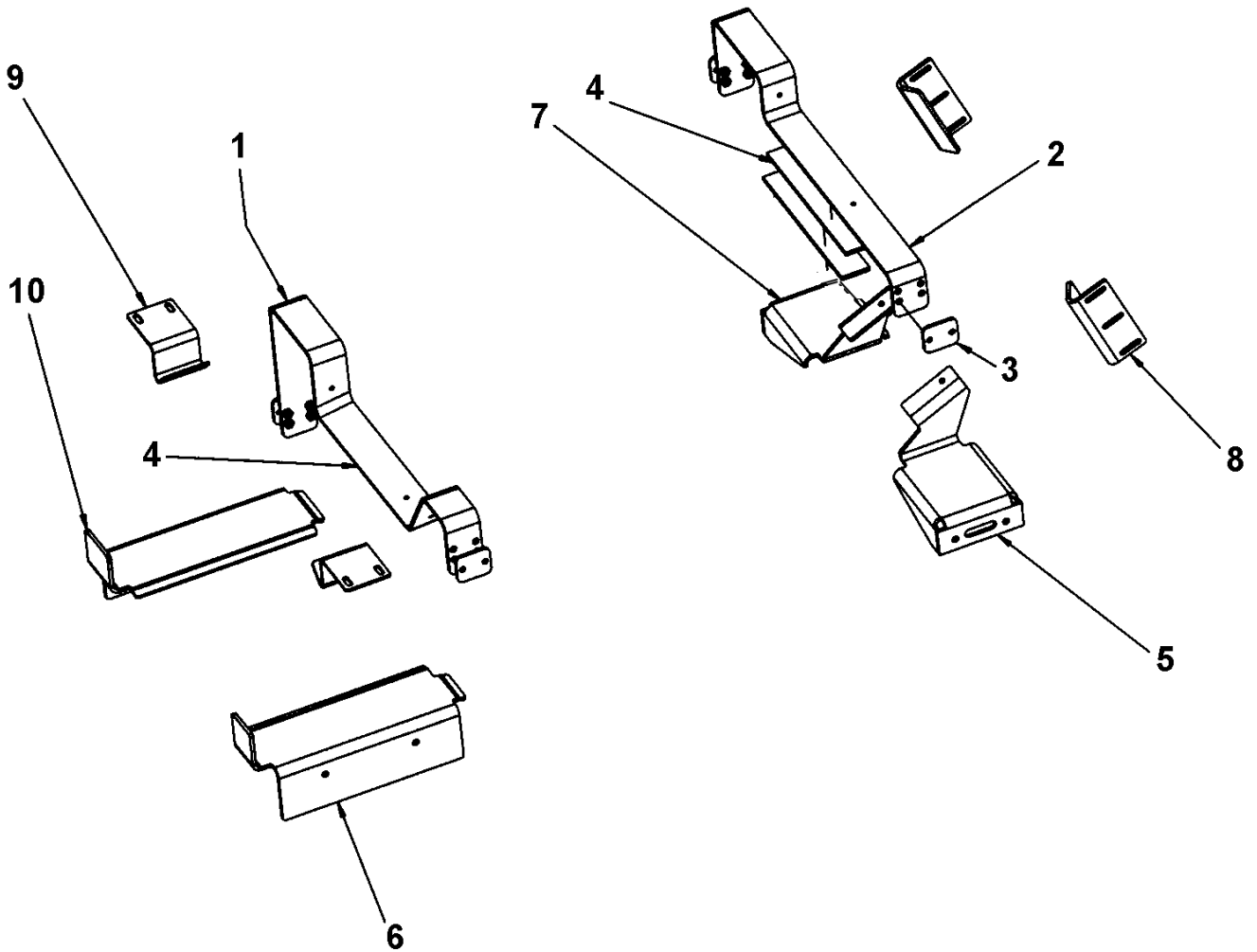


Refer to Parts Online for the most up to date information. The printed information might be outdated.

Wed Nov 14 15:02:51 UTC 2018

Item	Part No.	Name	Qty	L	SN INFO
1	4812118626	Fuel tank	1		
2	4812114949	Gasket	1		
3	4812114813	Adapter	1		
4	4812114935	Level sensor	1		
5	4700904281	Washer, 5,3x10x1 300HV	5		
6	4700904206	Screw, M6x16 mm	18		
7	4700513012	Screw, M6 x 20 mm 10.9 GEOMET®	5		
8	4812116834	Gasket	2		
9	4812118275	Fuel pipe	1		
10	4812116836	Fuel pipe	1		
12	4812112655	Flange gasket	2		
13	4812112656	Flange connection	1		
14	4812118670	Fuel hose	1		
15	4700313033	Hose clamp	2		
17	4700500009	Hex. screw	5		
19	4812112729	Rubber cloth	1		
20	4700395785	Expansion rivet	3		

Fuel system Brackets assy

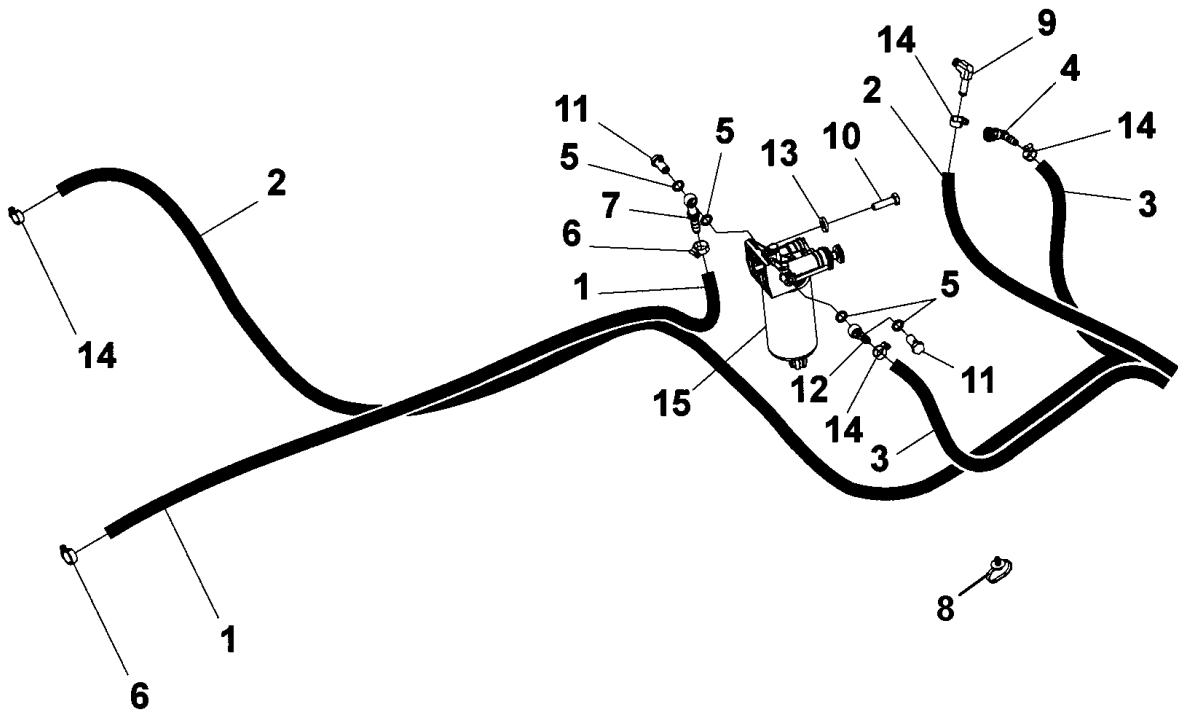


Refer to Parts Online for the most up to date information. The printed information might be outdated.

Wed Nov 14 15:02:51 UTC 2018

Item	Part No.	Name	Qty	L	SN INFO
1	4812112343	Bracket	1		
2	4812112344	Bracket	1		
3	4812112639	Spacer	4		
4	4812112761	Rubber cloth	4		
5	4812113640	Bracket	1		
6	4812112647	Bracket	1		
7	4812113641	Bracket	1		
8	4812112777	Bracket	2		
9	4812112776	Bracket	2		
10	4812114913	Bracket	1		

Fuel system Fuel hoses



Refer to Parts Online for the most up to date information. The printed information might be outdated.

Wed Nov 14 15:02:51 UTC 2018

Item	Part No.	Name	Qty	L	SN INFO
1	4700904986	Fuel hose, fire-resistant	1XL	A	
2	4700904985	Fuel hose, fire-resistant	1XL	B	
3	4700904985	Fuel hose, fire-resistant	1XL	C	
4	4812117789	Quick coupling	1		
5	4700230277	Copper washer 12,2x17,9x1,5	4		
6	4700313002	Hose clamp	2		
7	4812117398	Banjo coupling	1		
8	4700792441	Cable tie with holder	4		
9	4812117400	Quick connect coupling	1		
10	4700500030	Hexagon head screw	2		
11	4700234919	Screw M12-1,5-24-3	2		
12	4700792808	Banjo coupling	1		
13	4700904557	Washer, 10.5x22x4 mm 300 HV	2		
14	4700313001	Hose clamp, 11-18 x 9 mm	4		
15	-	Pre-fuel filter	1	D	

Comments for Page: Fuel hoses

(L)OCAL REMARKS

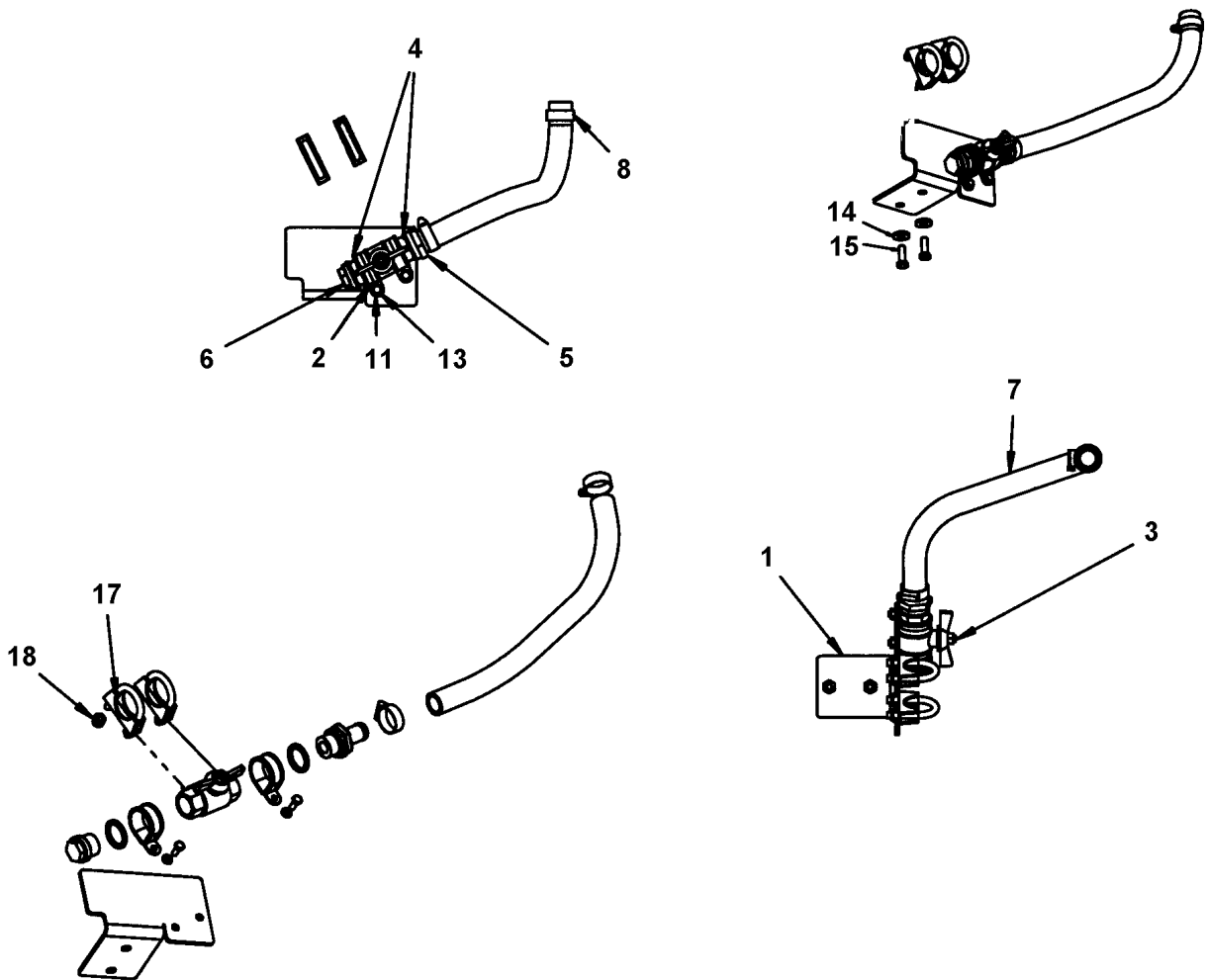
A | en_US | L = 1.7m

B | en_US | L= 3.4m

C | en_US | L = 1.5m

D | en_US | See section for diesel engine.

Fuel system Draining module, option



Item	Part No.	Name	Qty	L	SN INFO
1	4812114424	Bracket	1	A	
2	4700921057	Pipe clamp covered	2		
3	4700233304	Ball valve	1		
4	4700791120	Washer sealing	2		
5	4812113181	Connection	1		
6	4700232039	Steel plug threaded	1		
7	4700904988	Fuel hose	1XL	B	
8	4700313006	Hose clamp	2		
11	4700904228	Washer 6,4x12x1,5	2		
13	4700500013	Screw, M6x16 mm 8.8 A2K	2		
14	4700904640	Washer, 8.4x22x3 mm 300HV	2		
15	4700500021	Screw, M8x25 mm 8.8 A2K	2		
17	4700922944	Tube clamp	2	C	
18	4700586003	Lock nut M8	4		

Comments for Page: Draining module, option

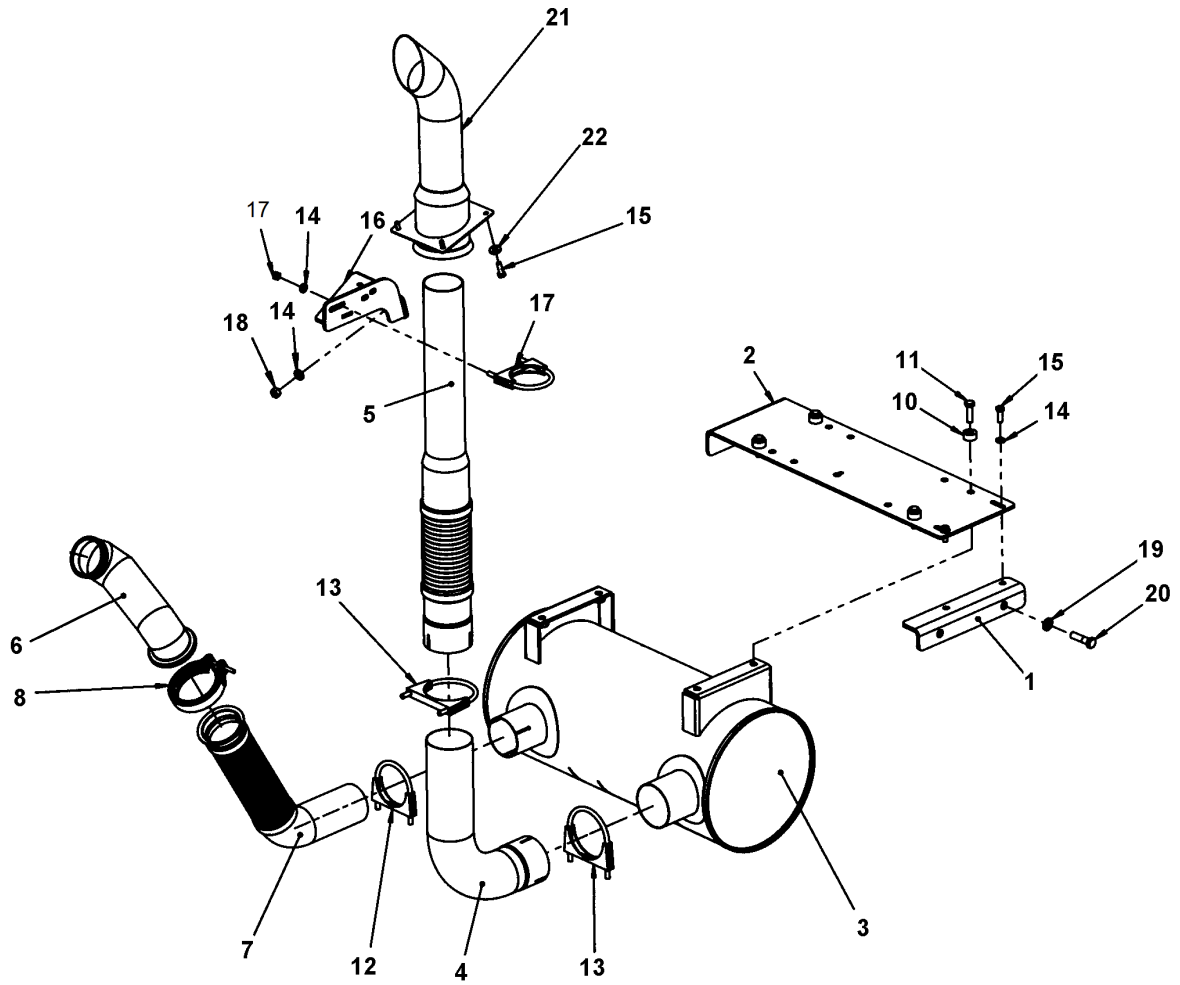
(L)OCAL REMARKS

A | en_US | Only used when protection plate 4812112439 is mounted on the machine.

B | en_US | L=0.39m

C | en_US | Used instead of item 4 when protection plate 4812117048 is mounted on the machine.

Engine Exhaust system

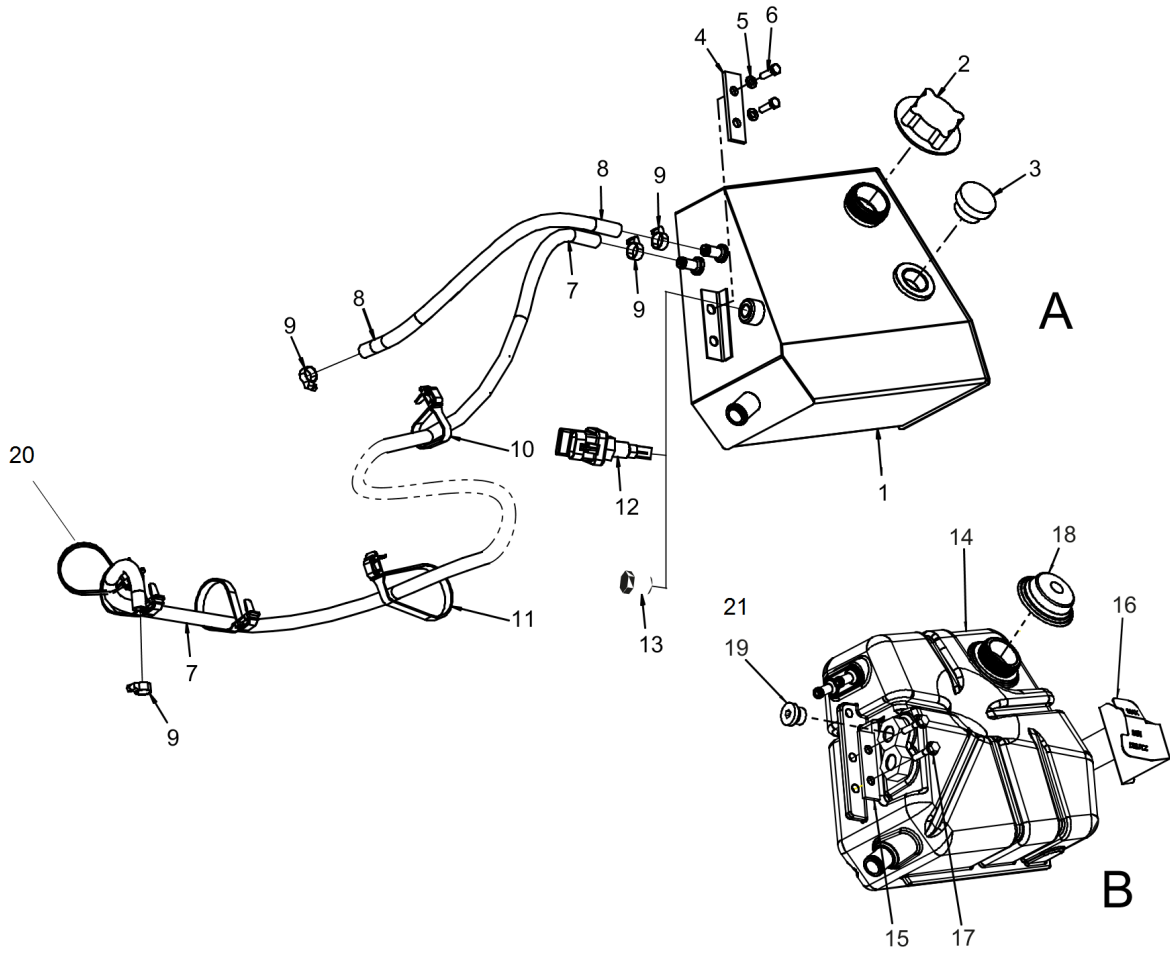


Refer to Parts Online for the most up to date information. The printed information might be outdated.

Wed Nov 14 15:02:52 UTC 2018

Item	Part No.	Name	Qty	L	SN INFO
1	4812116342	Bracket	1		
2	4812116341	Bracket	1		
3	4812113039	Muffler	1		
4	4812114227	Exhaust pipe	1		
5	4812113040	Exhaust pipe	1		
6	4812118142	Exhaust pipe	1		To A014084
6	4812121033	Exhaust pipe	1		From A014085
7	4812118143	Exhaust pipe	1		To A014084
7	4812121034	Exhaust pipe	1		From A014085
8	4812115908	V-band clamp	1		To A014084
8	4812120858	V-band clamp	1		From A014085
10	4700359989	Spacer sleeve	4		
11	4700500030	Hexagon head screw	4		
12	4700313094	Hose clamp	1		
13	4700927857	Pipe clamp	2		
14	4700904556	Steel plain washer 8,4x16x3,0	7		
15	4700500021	Screw, M8x25 mm 8.8 A2K	2		
16	4812118499	Bracket	1		
17	4811000481	Pipe clamp	1		
18	4700570005	Hexagon nut	3		
19	4700904231	Washer, 13x24x2 mm 300 HV	4		
20	4700500056	Screw, M12x45 mm 8.8 A3K	4		
21	4812112479	Exhaust pipe	1		
22	4700904640	Washer, 8.4x22x3 mm 300HV	4		

Engine Expansion tank assembly



Item	Part No.	Name	Qty	L	SN INFO
1	4812115770	Expansion tank, steel	1		
2	4700903714	Cooler cap	1		
3	4700372597	Level glass	1		
4	4700381413	Washer	2		
5	4700904228	Washer 6,4x12x1,5	4		
6	4700500040	Screw, M6x20 mm 8.8 A2K	4		
7	4700904985	Fuel hose, fire-resistant	1XL	A	
8	4700904985	Fuel hose, fire-resistant	1XL	B	
9	4700313001	Hose clamp, 11-18 x 9 mm	4		
10	4700313102	Cable ties	3		
11	4700313102	Cable ties	3		
12	4812114098	Level sensor	1		
13	4700813423	Hexagon plug	1		
14	4812117379	Expansion tank, plastic	1		
15	4700381413	Washer	2		
16	4812117533	Indicator	1		
17	4700500503	Screw, M6x30 mm 8.8 A2K	4		
18	4700903714	Cooler cap	1		
19	4812124210	Adapter	1		
20	4812117248	Cable tie with holder	2		
21	4700160080	O-ring	1		

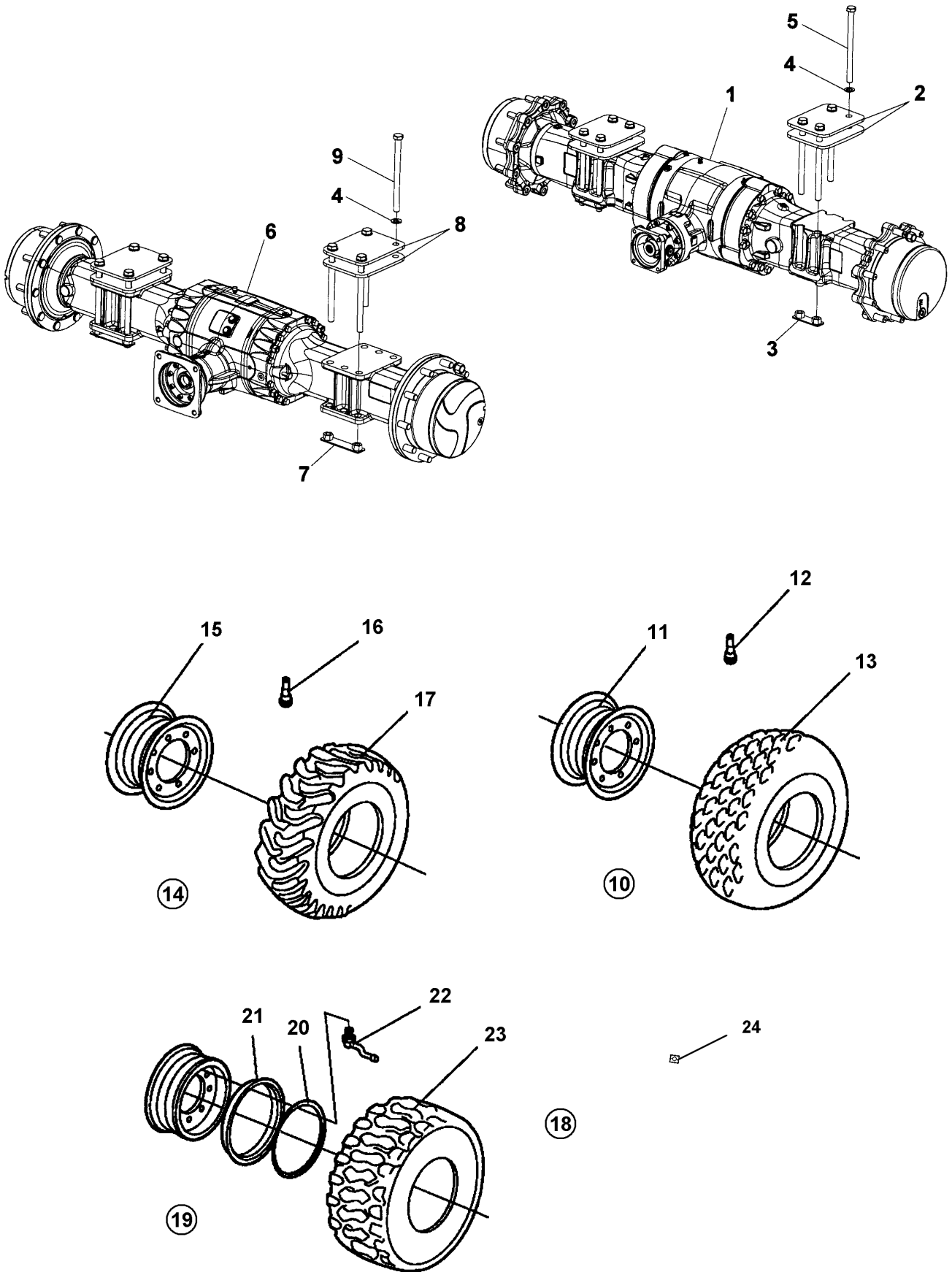
Comments for Page: Expansion tank assembly

(L)OCAL REMARKS

A | en_US | L = 2.9m

B | en_US | L = 0.5m

Transmission Rear axle and wheels



Refer to Parts Online for the most up to date information. The printed information might be outdated.

Wed Nov 14 15:02:54 UTC 2018

Item	Part No.	Name	Qty	L	SN INFO
1	4812113344	Rear axle, limited slip	1		
2	4812114933	Spacer	4		
3	4812114934	Nut-plate	4		
4	4700904233	Steel plain washer 21x36x3	8		
5	4700904280	Hexagon head screw	8		
6	4812113341	Rear axle No spin	1		
7	4812112393	Nut-plate	4		
8	4812112435	Spacer	4		
9	4700904353	Hexagon head screw	8		
10	-	Wheel, cpl	2	A	
11	4812120674	Rim	1		
12	4700792261	Air charging valve Straight	1		
13	4700390591	Tyre	1		
14	-	Tractor wheel, cpl	2		
15	4812120674	Rim	1		
16	4700792261	Air charging valve Straight	1		
17	4700390589	Tyre	1		
18	-	Wheel, cpl	2	B	
19	4812120676	Rim cpl	1		
20	4700901443	Snap ring	1		
21	4700901444	Side ring	1		
22	4700791175	Air charging valve	1		
22	4700791176	Valve foot	1		
23	4700901218	Tyre	1		
24	4700903985	Decal "SAFETY	4	C	

Comments for Page: Rear axle and wheels

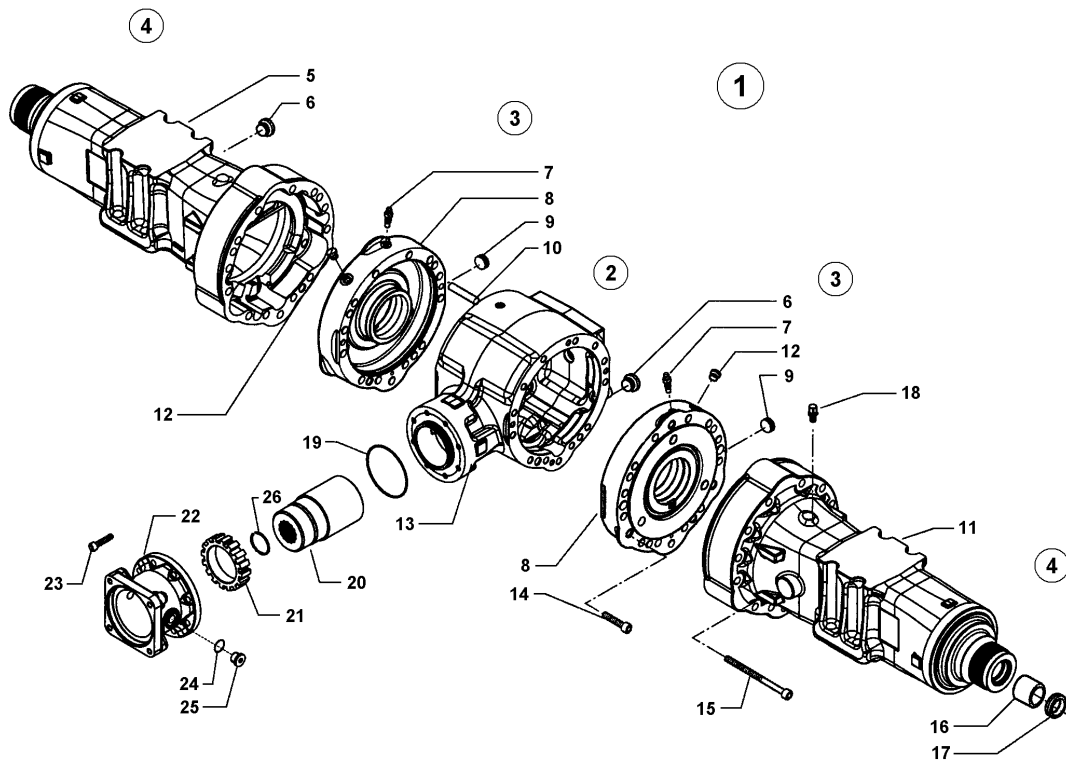
(L)OCAL REMARKS

A | en_US | All-weather wheel.

B | en_US | Premium.

C | en_US | Used with liquid filled tires.

4812113344 Rear axle, limited slip 4812113344 Rear axle, limited slip

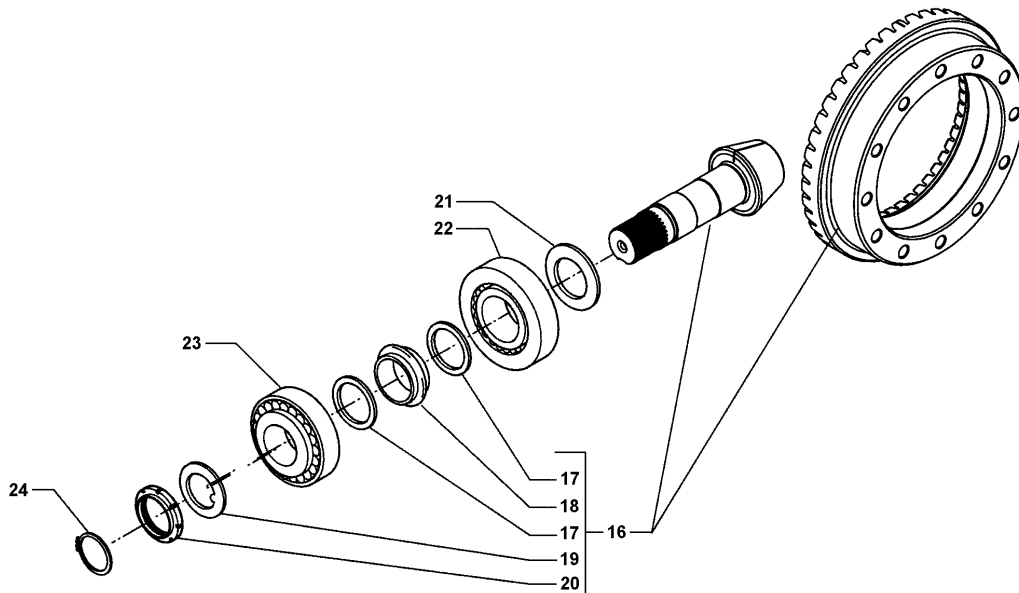
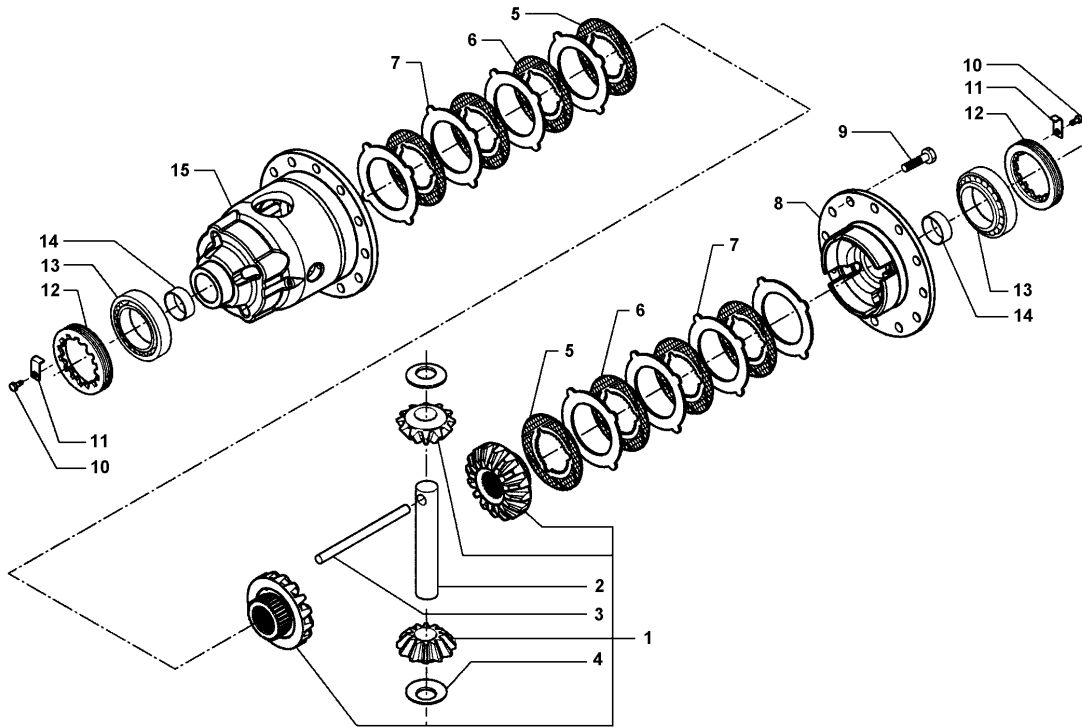


Refer to Parts Online for the most up to date information. The printed information might be outdated.

Wed Nov 14 15:02:54 UTC 2018

Item	Part No.	Name	Qty	L	SN INFO
1	4812113344	Rear axle, limited slip	1		
2	--	Differential & Bevel gear	1		
3	--	Brakes	1		
4	--	Hub reduction	1		
5	--	Left, leg housing	1		
6	--	Plug	3		
7	4812158466	Breather	2		
8	4812161599	Brake cylinder	2		
9	--	Plug	2		
10	--	Pin	4		
11	--	Right, leg housing	1		
12	--	Plug	2		
13	--	Central body	1		
14	--	Bolt	8		
15	--	Bolt	26		
16	--	Bush	2		
17	4812158467	Seal ring	2		
18	4812158468	Breather	1		
19	4812158469	O-ring	1		
20	4812161068	Sleeve	1		
21	4812161069	Phonic wheel	1		
22	4812161070	Flange	1		
23	--	Screw	8		
24	--	Washer	2		
25	--	Plug	2		
26	--	Snap ring	1		

4812113344 Rear axle, limited slip Differential & Bevel gear

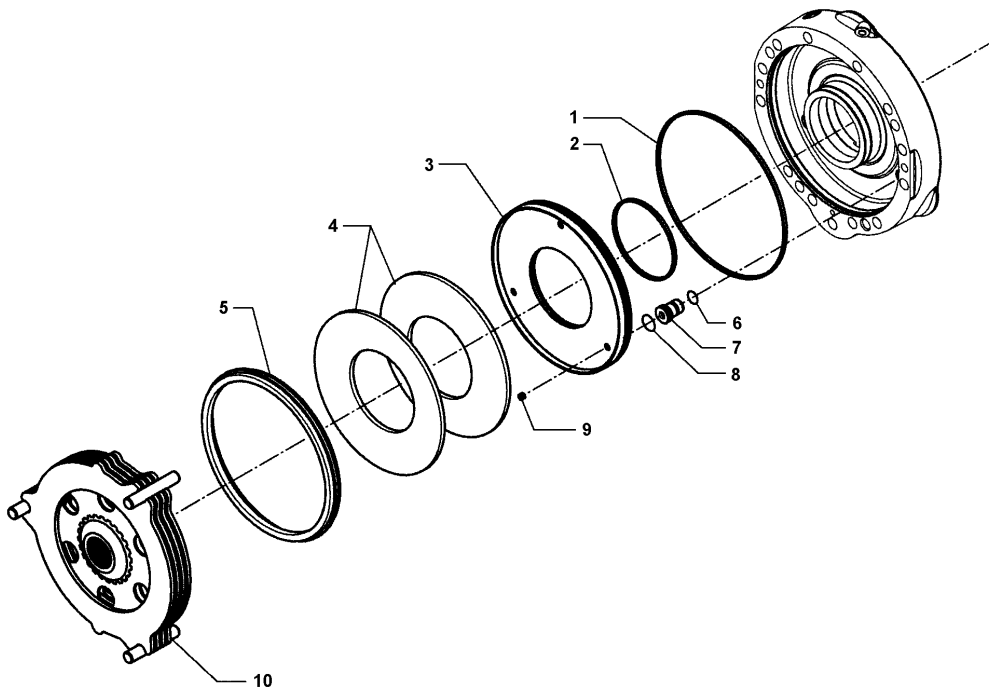


Refer to Parts Online for the most up to date information. The printed information might be outdated.

Wed Nov 14 15:02:55 UTC 2018

Item	Part No.	Name	Qty	L	SN INFO
1	4812158474	Differential kit	1		
2	--	Pin	1		
3	--	Pin	1		
4	--	Thrust washer	2		
5	-	Differential disc	2		
6	-	Differential disc	6		
7	-	Differential counter disc	8		
8	-	Differential housing cover	1		
9	-	Bolt	12		
10	-	Bolt	2		
11	-	Locking plate	2		
12	-	Ring nut	2		
13	4812158475	Bearing	2		
14	-	Bush	2		
15	-	Differential housing	1		
16	4812158470	Bevel gear/pinion kit	1		
17	--	Washer	2		
18	--	Collapsible spacer	1		
19	--	Lock washer	1		
20	--	Ring nut	1		
21	-	Shim	1		
22	4812158471	Bearing	1		
23	4812158472	Bearing	1		
24	4812158473	Snap ring	1		

4812113344 Rear axle, limited slip Brakes

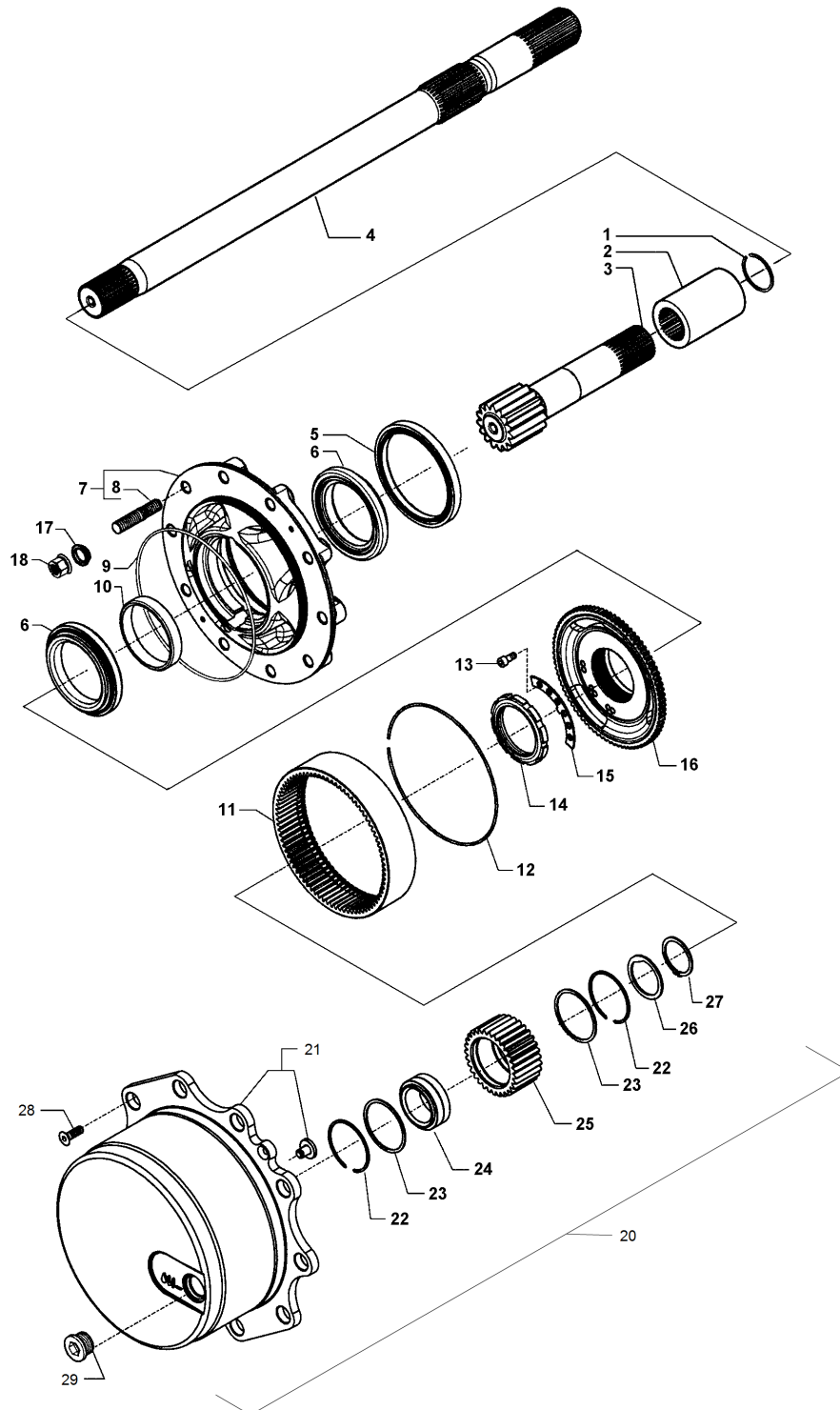


Refer to Parts Online for the most up to date information. The printed information might be outdated.

Wed Nov 14 15:02:56 UTC 2018

Item	Part No.	Name	Qty	L	SN INFO
1	4812162687	Quadring	2		
2	4812162688	Quadring	2		
3	-	Brake piston	2		
4	-	Belleville washer	2		
5	-	Sleeve	2		
6	-	O-ring	6		
7	-	Actuation pin	6		
8	-	O-ring	6		
9	-	Plug	6		
10	4812161571	Brake discs assembly	2		

4812113344 Rear axle, limited slip Hub reduction

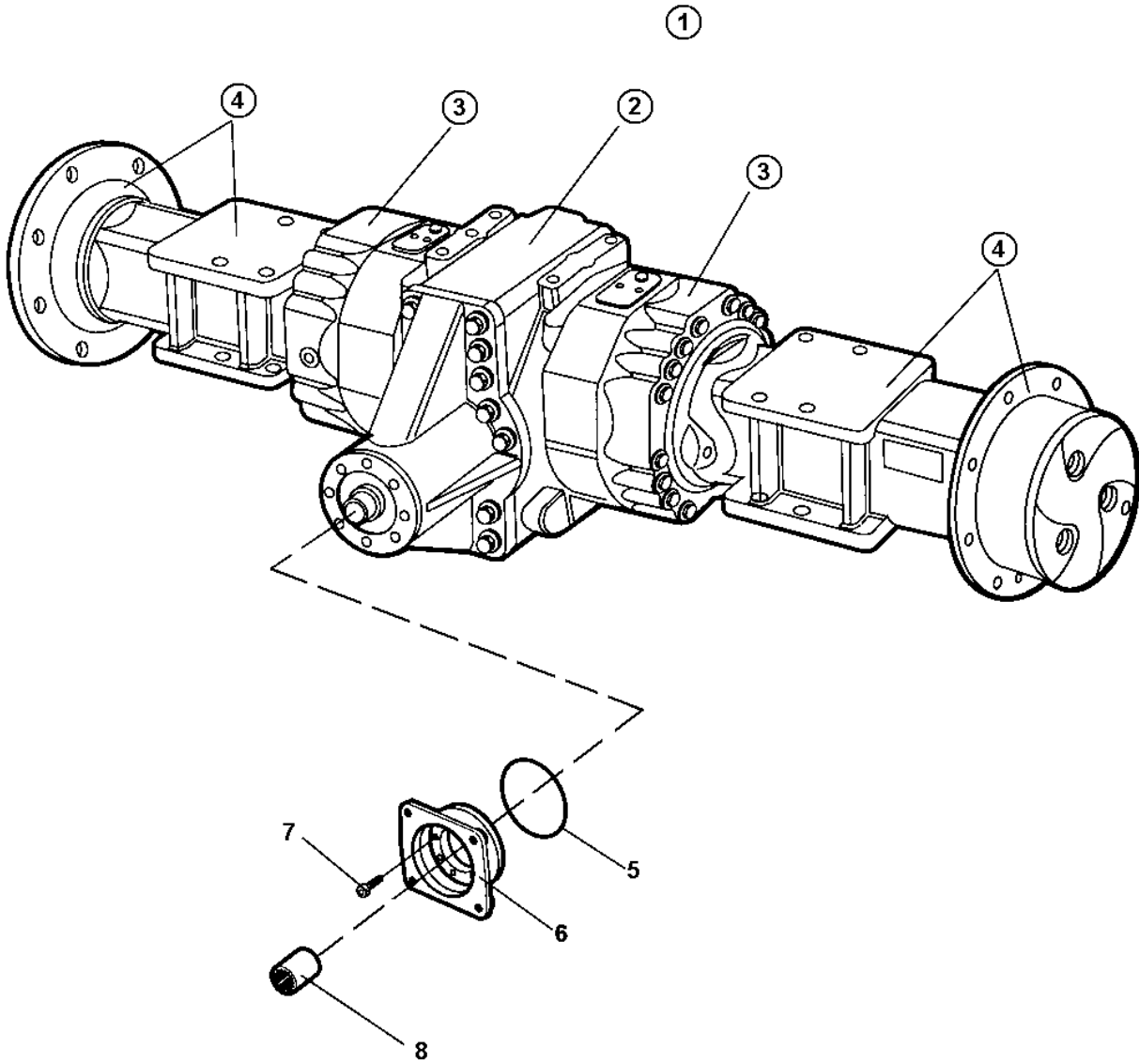


Refer to Parts Online for the most up to date information. The printed information might be outdated.

Wed Nov 14 15:02:56 UTC 2018

Item	Part No.	Name	Qty	L	SN INFO
1	-	Snap ring	2		
2	-	Bush	2		
3	4812162377	Axle shaft with gear	2		
4	-	Half shaft	2		
5	4812161087	Seal ring	1		
6	4812158476	Bearing	2		
7	4812158477	Wheel hub kit	2		
8	4812158478	Stud	20		
9	4812161088	O-ring	2		
10	-	Spacer	2		
11	4812162374	Crown gear	2		
12	4812162375	Lock ring	2		
13	4812162456	Bolt	6		
14	-	Ring nut	2		
15	4812162457	Locking plate	2		
16	4812162458	Wheel carrier	2		
17	4812104420	Washer	12		
18	4812104421	Nut	12		
20	4812162376	Planetary gear unit, cpl	2		
21	4812161172	Planetary carrier assy	2		
22	-	Snap ring	12		
23	-	Thrust washer	12		
24	4812158480	Rollers bearing	6		
25	4812161482	Gear	6		
26	-	Thrust washer	6		
27	-	Snap ring	6		
28	-	Bolt	4		
29	4812158479	Plug	2		

4812113341 Rear axle No spin 4812113341 Rear axle No spin



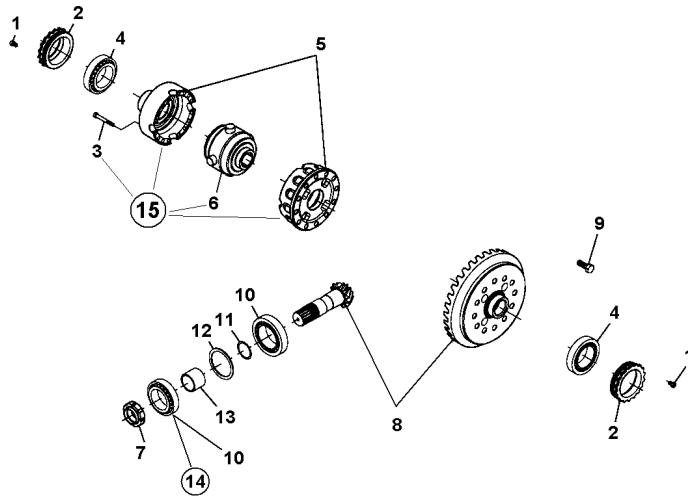
Refer to Parts Online for the most up to date information. The printed information might be outdated.

Wed Nov 14 15:02:56 UTC 2018

Item	Part No.	Name	Qty	L	SN INFO
1	-	Rear axle	1		
2	-	Differential	1		
3	-	Central housing and brakes	2		
4	-	Hub reduction	2		
5	4700929675	O-ring	1		
6	-	Injector part	1		
7	-	Bolt	8		
8	4812156887	Splined sleeve	1		

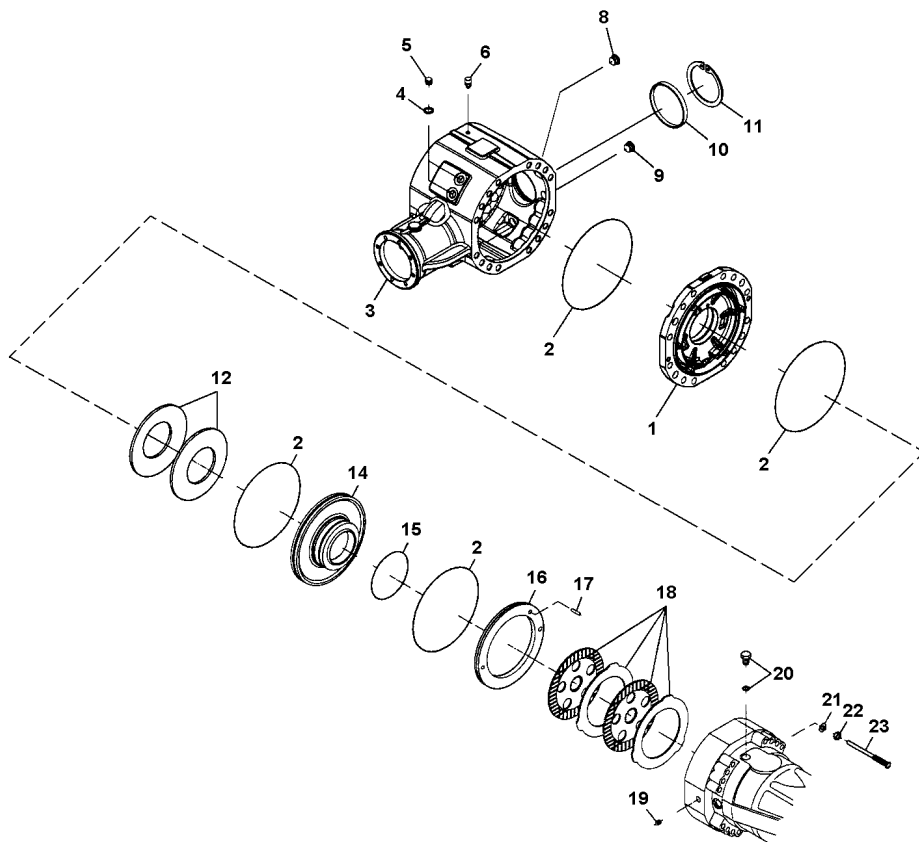
4812113341 Rear axle No spin Differential

⑮ = Position KIT = 3+5+6



Item	Part No.	Name	Qty	L	SN INFO
1	-	Bolt	2		
2	-	Ring nut	2		
3	-	Bolt	16		
4	4812157358	Taper roller bearing	2		
5	-	Differential carrier	1		
6	-	No spin differential	1		
7	-	Ring nut	1		
8	4812157359	Bevel gear set	1		
9	-	Bolt	16		
10	4812157361	Roller bearing	1		
11	-	Shim	1		
12	-	Shim	1		
13	-	Spacer	1		
14	4812157469	Bearing	1		
15	4812157462	No spin differential kit	1		

4812113341 Rear axle No spin Central housing and brakes



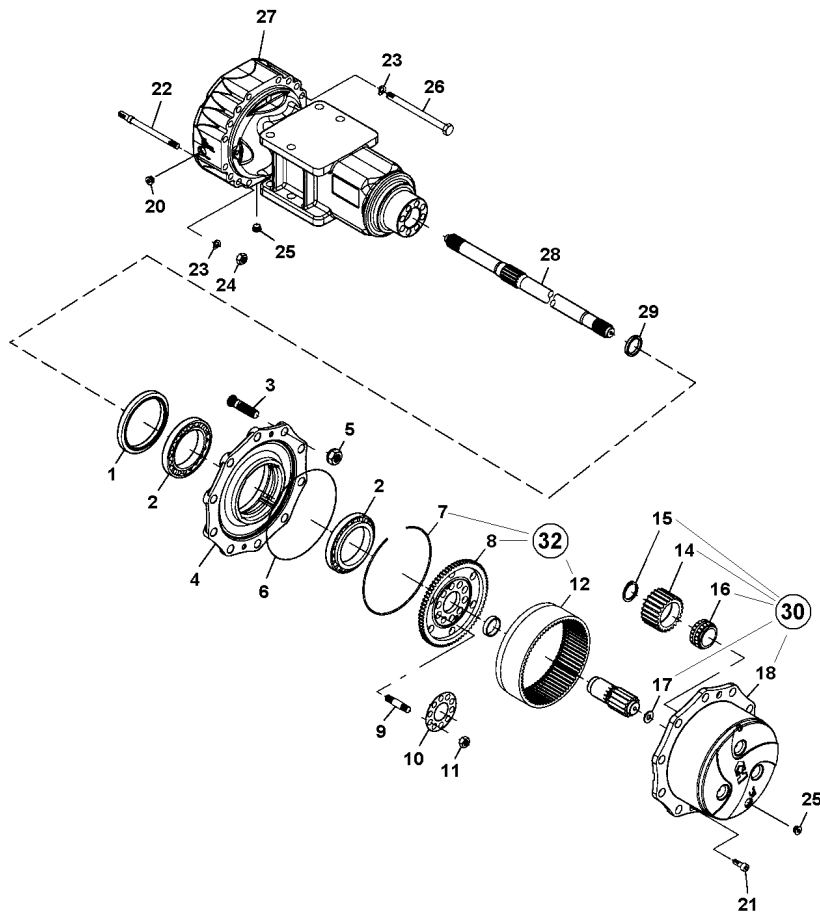
Refer to Parts Online for the most up to date information. The printed information might be outdated.

Wed Nov 14 15:02:57 UTC 2018

Item	Part No.	Name	Qty	L	SN INFO
1	-	Injector part	2		
2	4700909609	O-ring	8		
3	-	Housing	1		
4	-	Washer	2		
5	-	Bolt	2		
6	4700938984	Vent nipple	1		
8	4812157461	Plug	1		
9	4700939350	Magnetic plug	1		
10	4700938296	Plug	1		
11	-	Snap ring	1		
12	-	Lock nut	2		
14	-	Piston	2		
15	4812156954	O-ring	2		
16	-	Ring	2		
17	-	Dowel	2		
18	4812157465	Brake disc kit	2		
19	4812157466	Plug	2		
20	4812156958	Plug	2		
21	-	Lock washer	4		
22	-	Lock nut	4		
23	-	Bolt	4		

4812113341 Rear axle No spin Hub reduction

- ③② Position Kit =7+8+12
- ③① Position Kit =14+15+16+17+18

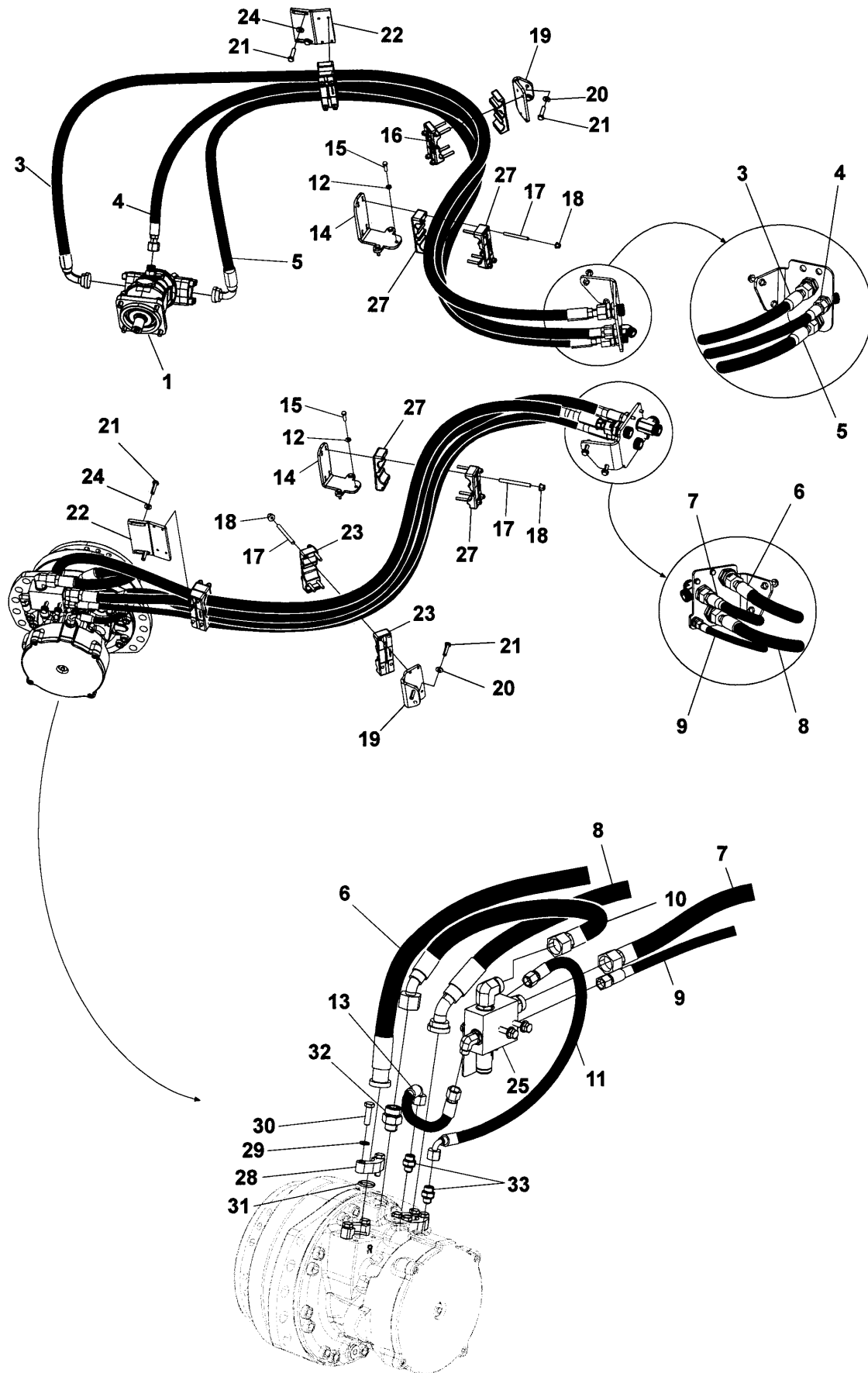


Refer to Parts Online for the most up to date information. The printed information might be outdated.

Wed Nov 14 15:02:57 UTC 2018

Item	Part No.	Name	Qty	L	SN INFO
1	4812156796	Seal	2		
2	4700939009	Bearing	4		
3	4700926781	Wheel screw	20		
4	-	Wheel hub	2		
5	4700901987	Wheel nut	20		
6	4700929612	O-ring	2		
7	-	Circlip	2		
8	-	Ring gear support	2		
9	4700939017	Stud	16		
10	4700939010	Lock plate	2		
11	4700939016	Nut	16		
12	-	Ring gear	2		
14	-	Planet gear	6		
15	-	Snap ring	6		
16	4700939273	Bearing	6		
17	-	Friction washer	2		
18	-	Planet gear carrier	2		
20	4700939348	Plug	2		
21	-	Countersunk bolt	4		
22	-	Plain washer	8		
23	-	Spring washer	8		
24	-	Lock nut	8		
25	4700939350	Magnetic plug	4		
26	-	Bolt	24		
27	-	Axle case	2		
28	4812161354	Half shaft	2		
29	4700939014	Seal	2		
30	4812157463	Planet gear carrier	2		
32	4812157464	Ring gear support	2		

Hydraulic system, drum (D) Traction control, dual speed Hydraulic system, drum (D) Traction control, dual speed

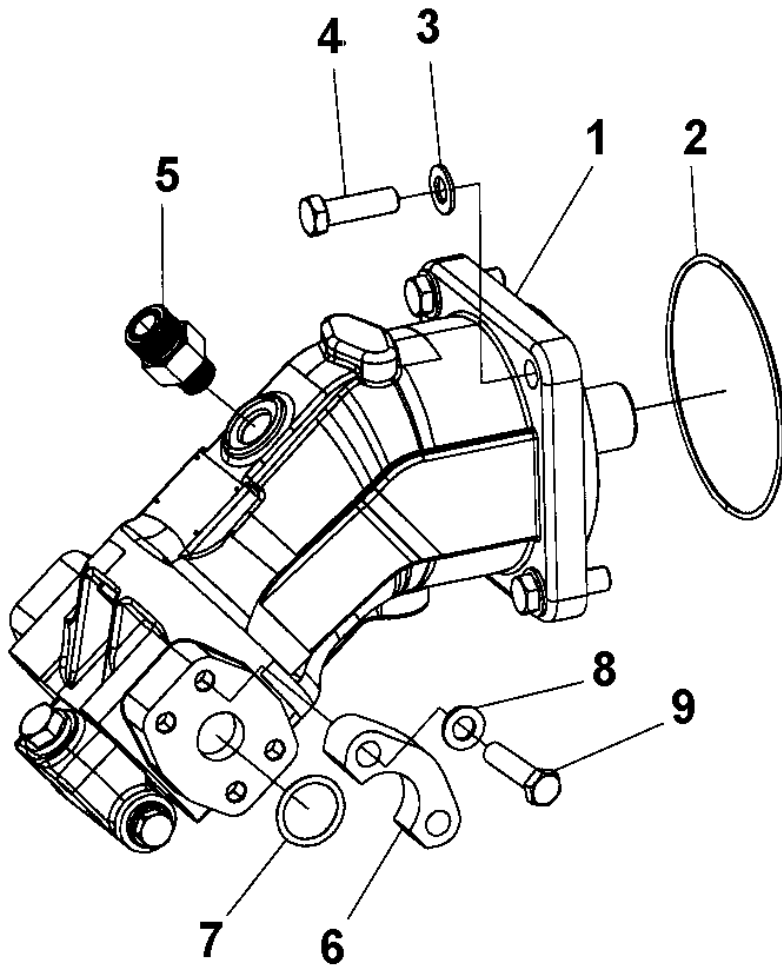


Refer to Parts Online for the most up to date information. The printed information might be outdated.

Wed Nov 14 15:02:58 UTC 2018

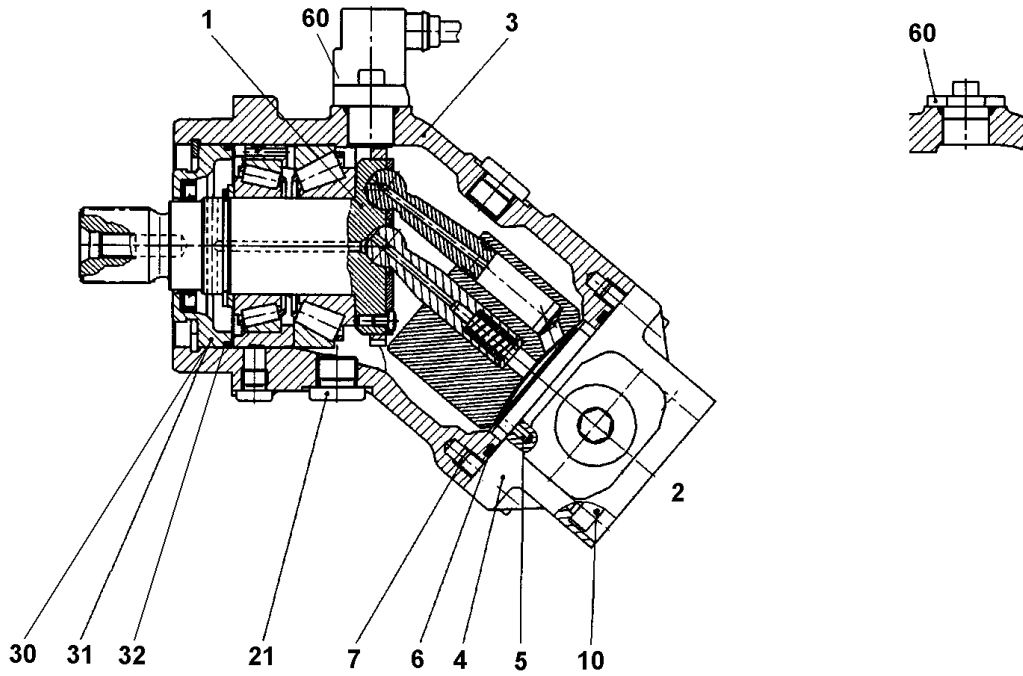
Item	Part No.	Name	Qty	L	SN INFO
1	-	Hydraulic motor, vibration	1		
3	4812127106	Hydraulic hose	1		
4	4812114691	Hydraulic hose	1		
5	4812127105	Hydraulic hose	1		
6	4812127152	Hydraulic hose	1		
7	4812114675	Hydraulic hose	1		
8	4812127153	Hydraulic hose	1		
9	4812114677	Hydraulic hose	1		
10	4812114678	Hydraulic hose	1		
11	4812114679	Hydraulic hose	1		
12	4700904229	Washer, 8.4x 6x1.5 mm 300HV	6		
13	4812114680	Hydraulic hose	1		
14	4812117915	Bracket	2		
15	4700500022	Screw	6		
16	4812112304	Hose holder	4		
17	4700791860	Stud	24		
18	4700902286	Lock nut, M8x1.25 mm A2K	24		
19	4812113963	Bracket	2		
20	4700904230	Steel plain washer	4		
21	4700500028	Hex Head screw	8		
22	4812113569	Bracket	2		
23	4812112306	Hose holder	4		
24	4700904557	Washer, 10.5x22x4 mm 300 HV	4		
25	-	Hydraulic valve module	1		
27	4812116857	Hose holder	4		
28	4700929226	Flange half	4		
29	4812122654	Steel plain washer	8		
30	4700508053	Screw	8		
31	4700904004	O-ring 90	2		
32	4700792336	Straight connector orfs	1		
33	4700791535	Connector	2		

Hydraulic system, drum (D) Traction control, dual speed Hydraulic motor



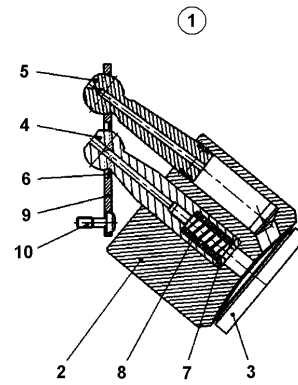
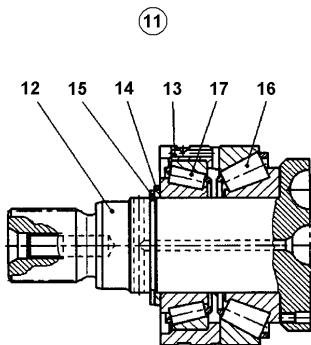
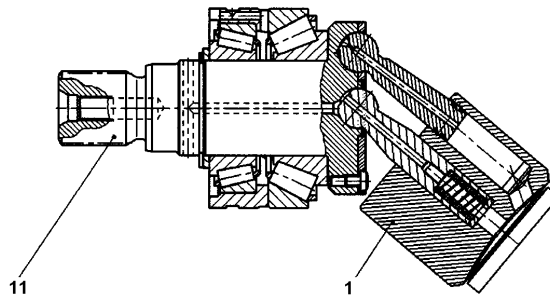
Item	Part No.	Name	Qty	L	SN INFO
1	4812112215	Hydraulic motor	1		
2	4700160132	O-ring 70	1		
3	4700904231	Washer, 13x24x2 mm 300 HV	4		
4	4700500194	Hexagon head screw w Tuflok M12x40H 8.8 A3K	4		
5	4811000074	Straight connector orfs	1		
6	4700900430	Flange half	4		
7	4700904774	O-ring	2		
8	4700904229	Washer, 8.4x 6x1.5 mm 300HV	8		
9	4700500022	Screw	8		

4812112215 Hydraulic motor 4812112215 Hydraulic motor



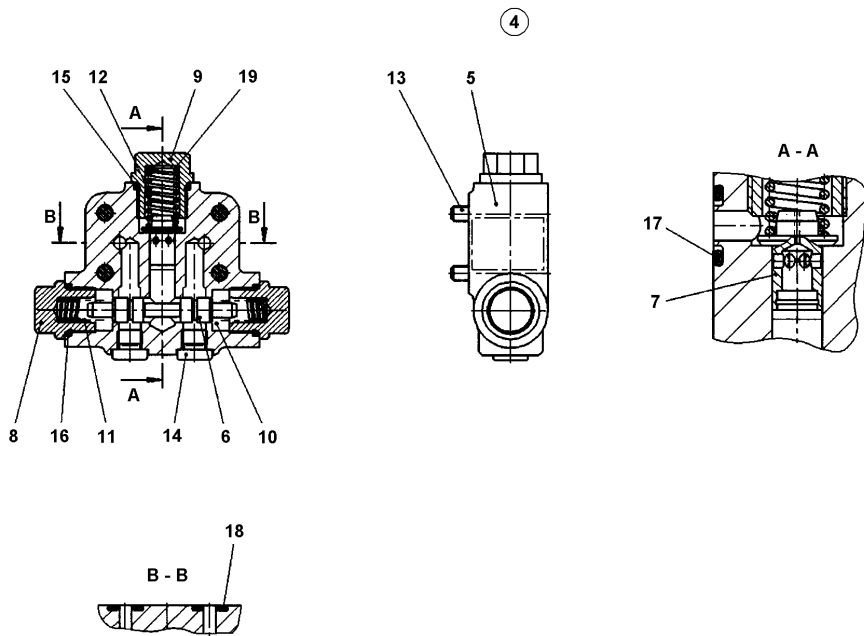
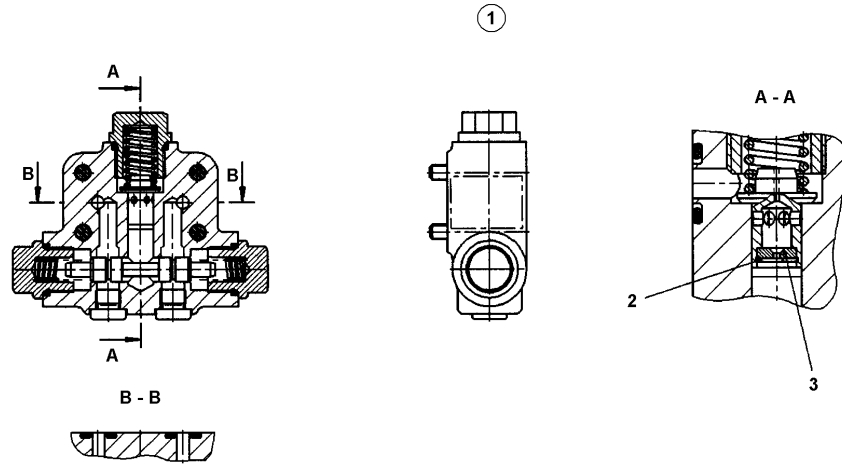
Item	Part No.	Name	Qty	L	SN INFO
1	-	Rotary group	1		
2	-	Flush and boost pressure valve	1		
3	-	Housing	1		
4	-	Subplate	1		
5	-	Cylinder pin	1		
6	4700937258	O-ring	1		
7	-	Socket head screw	2		
10	-	Socket head screw	4		
21	-	Locking screw	1		
30	-	Cover with shaft seal ring	1		
31	4812158766	Cover, cpl	1		
32	4700937265	O-ring	1		
60	-	Flange cover	1		

4812112215 Hydraulic motor Rotary group



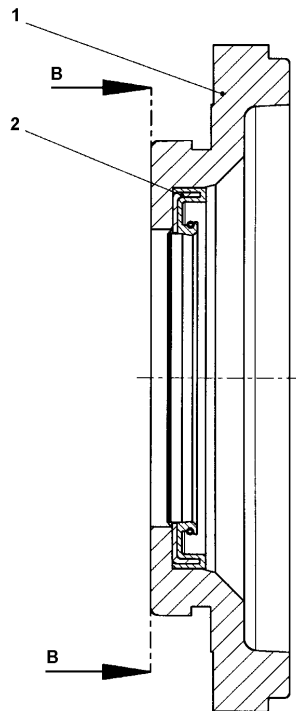
Item	Part No.	Name	Qty	L	SN INFO
1	-	Rotary group, hydraul section	1		
2	-	Cylinder	1		
3	-	Control plate	1		
4	-	Center pin	1		
5	-	Piston with piston rings	7		
6	-	Gasket	1		
7	-	Adjustment shim	1		
8	-	Pressure spring	1		
9	-	Retaining plate	1		
10	-	Pan-head screw	7		
11	-	Drive shaft with bearing assy	1		
12	-	Drive shaft	1		
13	-	Bearing ring	1		
14	-	Back-up plate	1		
15	-	Retaining ring	1		
16	4700901385	Bearing	1		
17	4700901386	Bearing	1		

4812112215 Hydraulic motor Flush and boost pressure valve



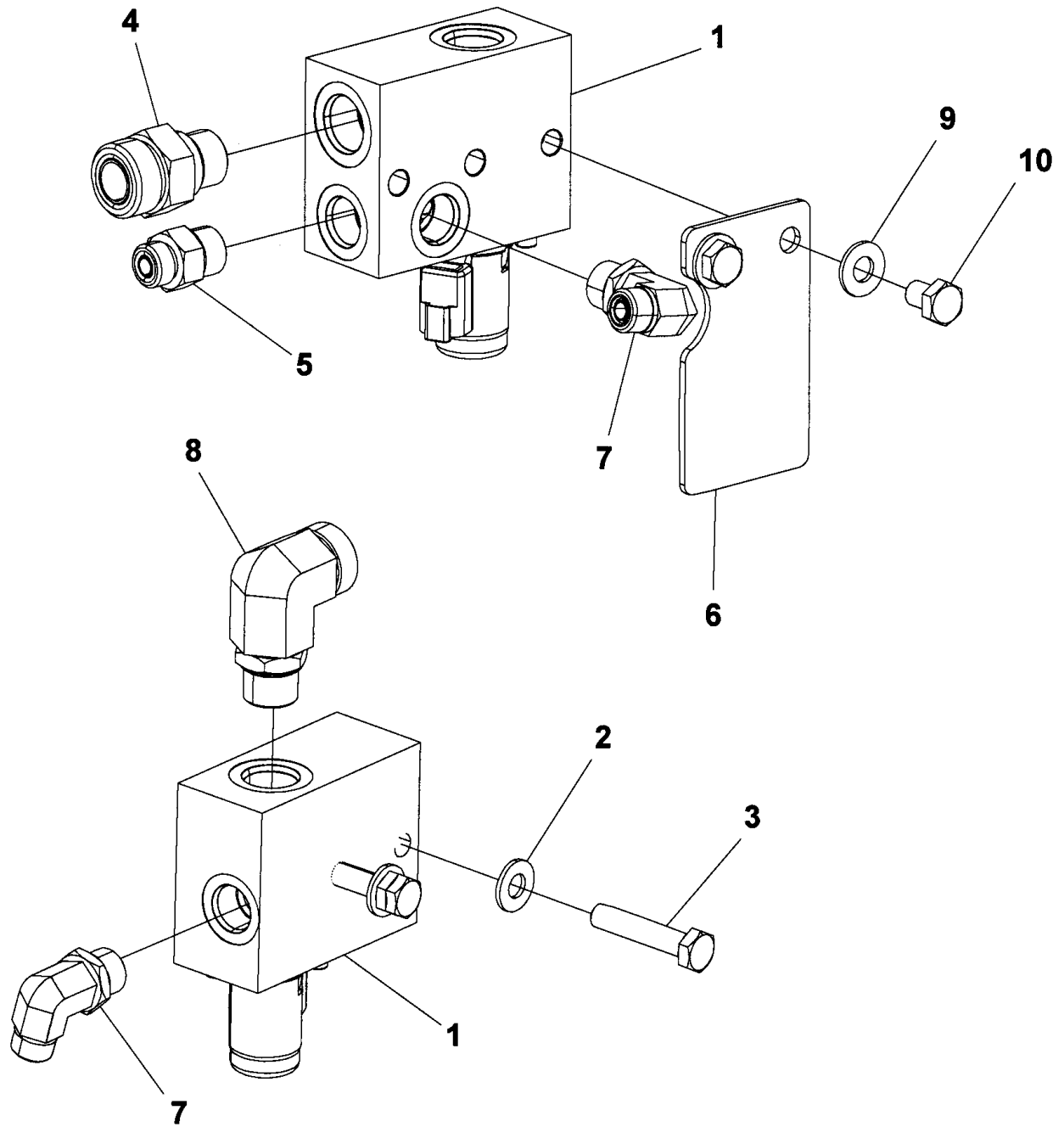
Item	Part No.	Name	Qty	L	SN INFO
1	-	Flush and boost pressure valve with orifice	1		
2	--	Retaining ring	1		
3	4812158657	Orifice	1		
4	-	Flush and boost pressure valve without orifice	1		
5	--	Housing	1		
6	--	Flushing piston	1		
7	--	Valve piston	1		
8	--	Locking screw	2		
9	--	Locking screw	1		
10	--	Washer	2		
11	--	Pressure spring	2		
12	--	Pressure spring	1		
13	--	Socket head screw	4		
14	--	Locking screw	2		
15	4812157460	O-ring	1		
16	4812157170	O-ring	2		
17	4812157184	O-ring	1		
18	4812157185	O-ring	2		
19	--	Shim	1		

4812112215 Hydraulic motor Cover with shaft seal ring



Item	Part No.	Name	Qty	L	SN INFO
1	-	Injector part	1		
2	4700937264	Seal ring	1		

Hydraulic system, drum (D) Traction control, dual speed Hydraulic valve module



Refer to Parts Online for the most up to date information. The printed information might be outdated.

Wed Nov 14 15:03:00 UTC 2018

Item	Part No.	Name	Qty	L	SN INFO
1	4812113687	Hydraulic valve	1		
2	4700904230	Steel plain washer	2		
3	4700500161	Screw	2	A	
3	4700500091	Screw	2	B	
4	4812115051	Straight connector orfs	1		
5	4700791828	Adapter	1		
6	4812114108	Bracket	1		
7	4700791840	Adapter	2		
8	4700791838	Adapter	1		
9	4700904557	Washer, 10.5x22x4 mm 300 HV	2		
10	4700500043	Screw M10x16	2		

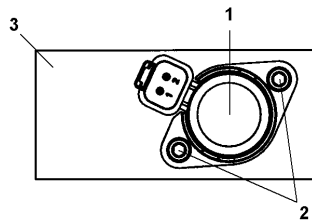
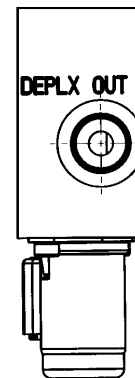
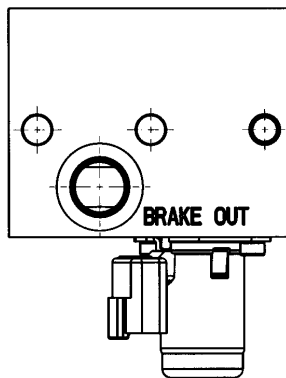
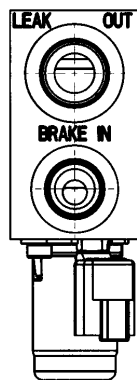
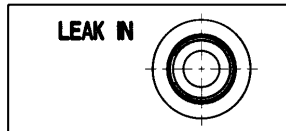
Comments for Page: Hydraulic valve module

(L)OCAL REMARKS

A | en_US | Used with 35mm side plate.

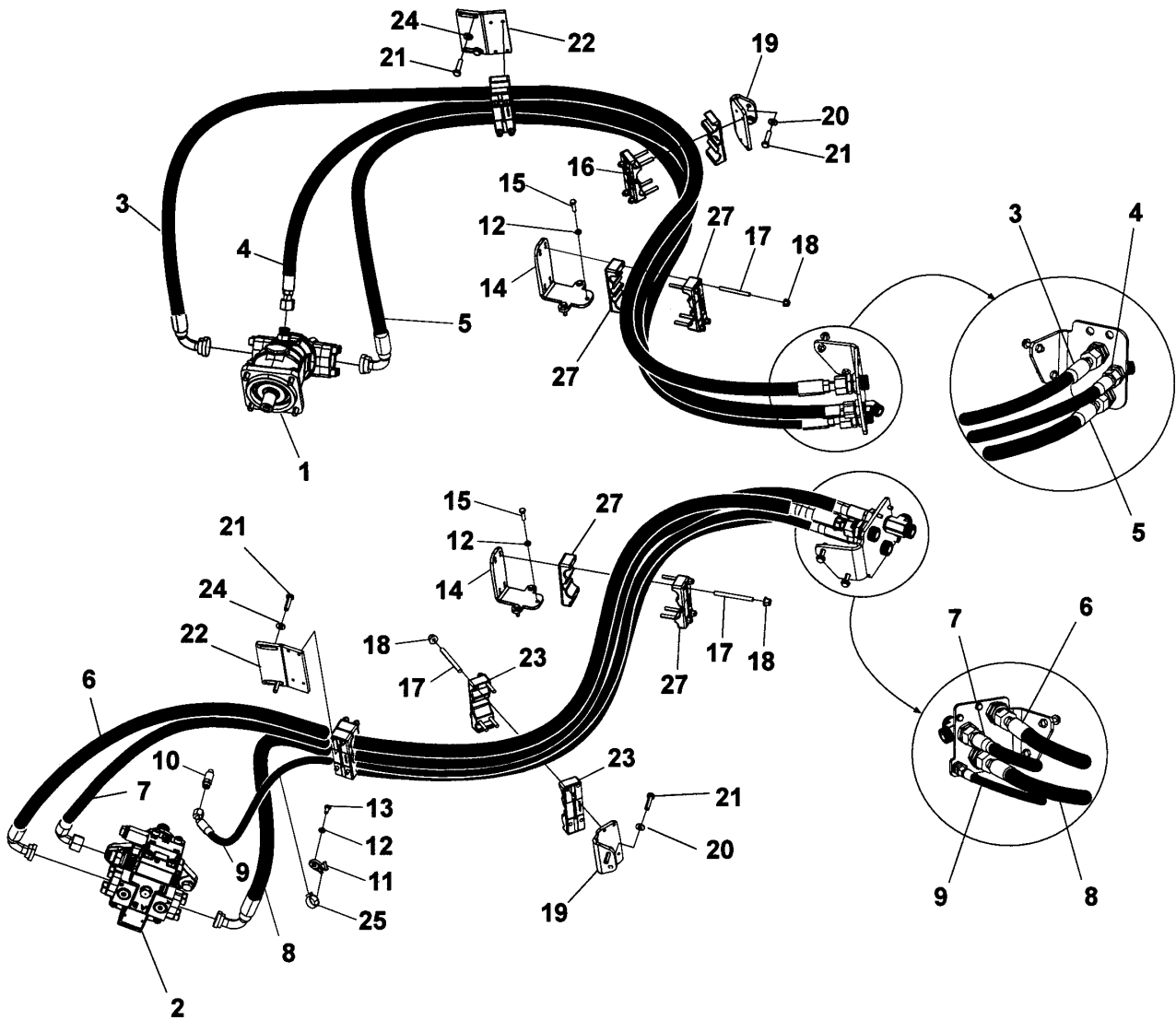
B | en_US | Used with 40mm side plate.

Hydraulic system, drum (D) Traction control, dual speed 4812113687 Hydraulic valve



Item	Part No.	Name	Qty	L	SN INFO
1	4812158483	Solenoid valve	1		
2	4812158484	Cap head screw	2		
3	-	Block	1		

Hydraulic system, drum (PD) Traction control, dual speed Hydraulic system, drum (PD) Traction control, dual speed



Refer to Parts Online for the most up to date information. The printed information might be outdated.

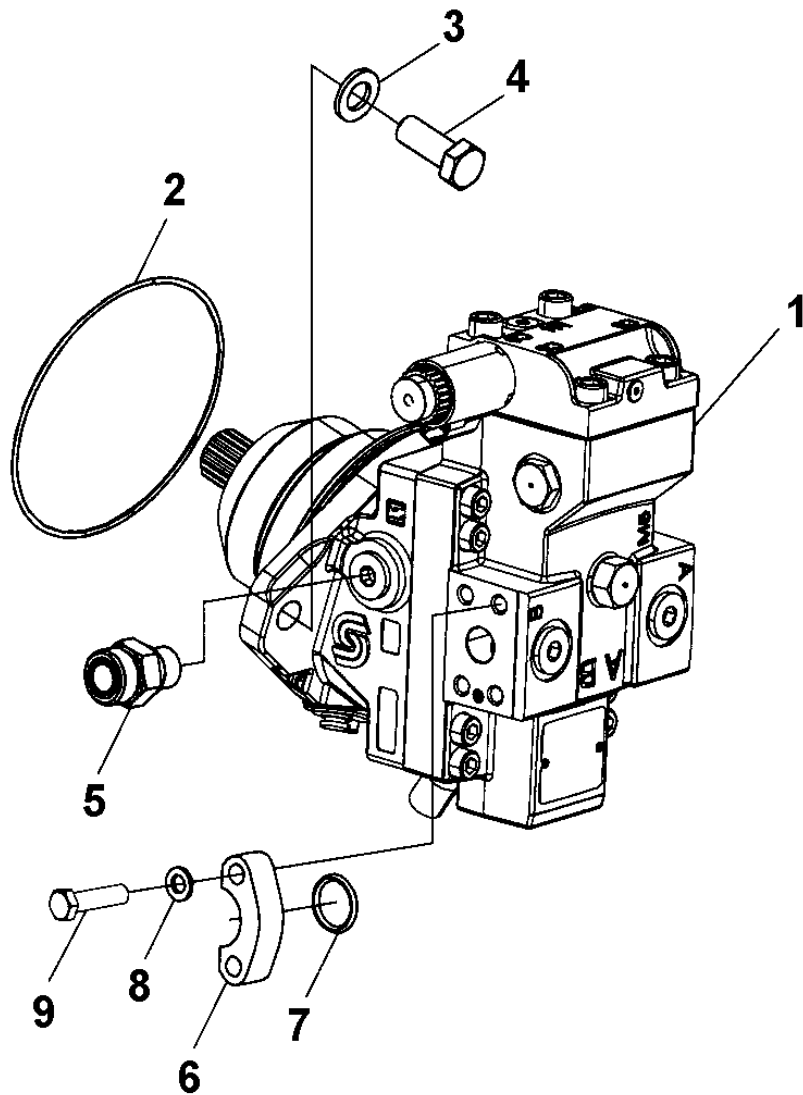
Wed Nov 14 15:03:00 UTC 2018

Item	Part No.	Name	Qty	L	SN INFO
1	-	Hydraulic motor, vibration	1		
2	-	Hydraulic motor, propulsion	1		
3	4812127106	Hydraulic hose	1		
4	4812114691	Hydraulic hose	1		
5	4812127105	Hydraulic hose	1		
6	4812127115	Hydraulic hose	1		
7	4812114670	Hydraulic hose	1		
8	4812127114	Hydraulic hose	1		
9	4812114673	Hydraulic hose	1		
10	4811000416	Straight connector orfs	1		
11	4812117326	Cable tie holder	1		
12	4700904229	Washer, 8.4x 6x1.5 mm 300HV	7		
13	4700500019	Hexagon screw	1		
14	4812117915	Bracket	2		
15	4700500022	Screw	6		
16	4812112304	Hose holder	4		
17	4700791860	Stud	24		
18	4700902286	Lock nut, M8x1.25 mm A2K	24		
19	4812113963	Bracket	2		
20	4700904230	Steel plain washer	4		
21	4700500028	Hex Head screw	8		
22	4812113569	Bracket	2		
23	4812112306	Hose holder	4		
24	4700904557	Washer, 10.5x22x4 mm 300 HV	4		
25	4812117325	Cable tie	1		
27	4812116857	Hose holder	4		

Comments for Page: Hydraulic system, drum (PD) Traction control, dual speed

(L)OCAL REMARKS

A | en_US | Compaction data high, option.

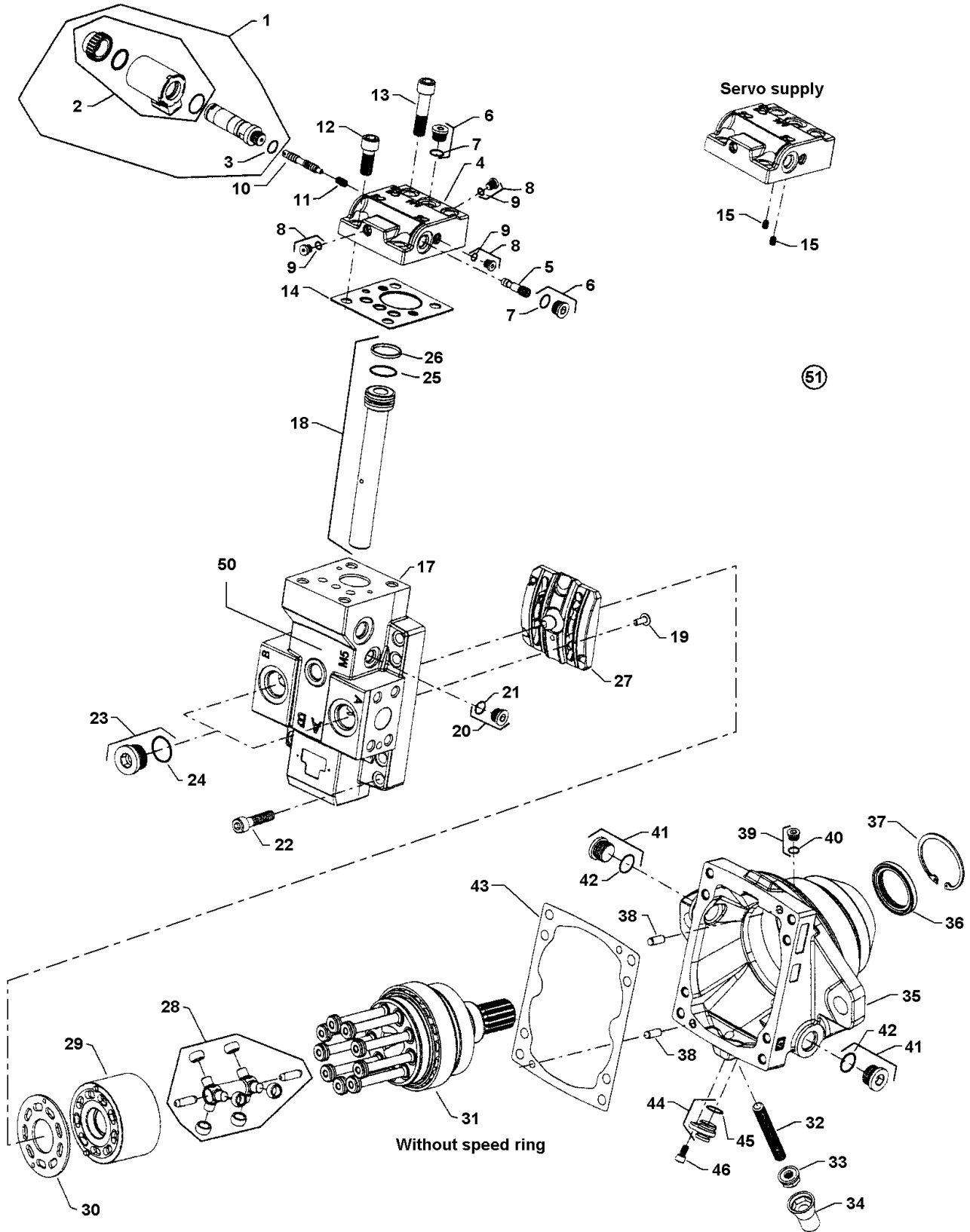
Hydraulic system, drum (PD) Traction control, dual speed Hydraulic motor

Refer to Parts Online for the most up to date information. The printed information might be outdated.

Wed Nov 14 15:03:01 UTC 2018

Item	Part No.	Name	Qty	L	SN INFO
1	4812112200	Hydraulic motor	1		
2	4700160043	O-ring	1		
3	4700904232	Steel plain washer	2		
4	4700500093	Hex. screw	2		
5	4812115051	Straight connector orfs	1		
6	4700929226	Flange half	4		
7	4700904004	O-ring 90	2		
8	4700904637	Washer	8		
9	4700500030	Hexagon head screw	8		

4812112200 Hydraulic motor 4812112200 Hydraulic motor



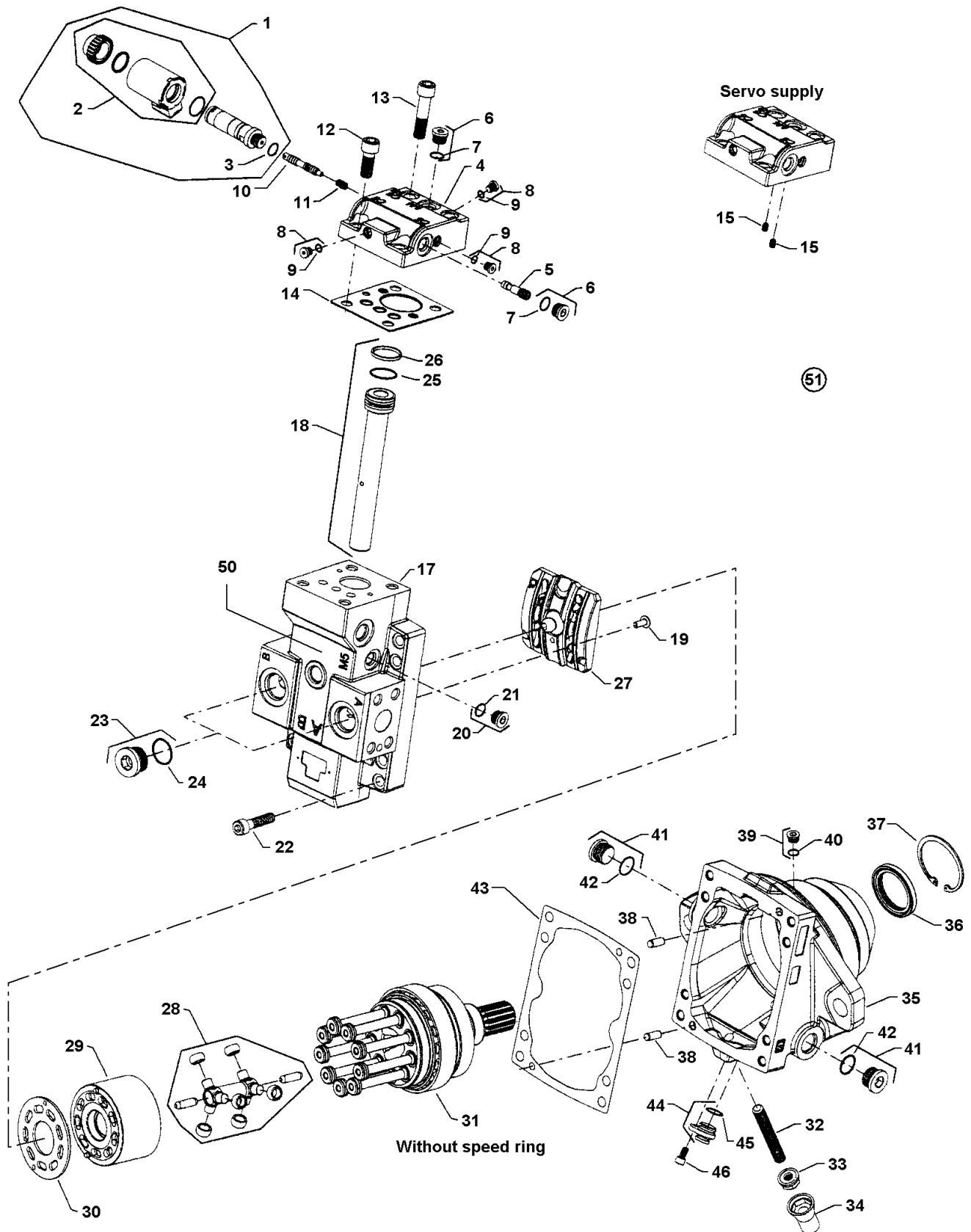
Refer to Parts Online for the most up to date information. The printed information might be outdated.

Wed Nov 14 15:03:01 UTC 2018

Item	Part No.	Name	Qty	L	SN INFO
1	4812157074	Solenoid On/off, 24 volt	1		
2	4812157075	Coil kit, 24 volt	1		
3	--	O-ring	1		
4	-	Control housing, 2 position	1		
5	4812156999	Shuttle valve assembly	1		
6	4700908432	Plug	2		
7	4700923087	O-ring	2		
8	4812158398	Plug assembly	3		
9	4700908440	O-ring	3		
10	4812157051	Spool	1		
11	4812157052	Spring	1		
12	-	Screw	2		
13	-	Screw	2		
14	4812157053	Control seal	1		
15	-	Orifice plug, 1.2 mm	1		
17	-	End cap	1		
18	4812157054	Servo piston	1		
19	-	Button head screw	1		
20	-	Plug assembly	1		
21	--	O-ring	1		
22	-	Screw	8		
23	-	Plug assembly	2		
24	--	O-ring	2		
25	-	O-ring	1		
26	-	Piston ring	1		
27	4812157055	Valve segment assembly	1		
28	4812160876	Synch shaft assembly	1		
29	-	Cylinder block assembly	1		
30	4812157056	Bearing plate	1		
31	-	Shaft assembly, 14 tooth, DIN	1		
32	-	Set screw, 0-19cc, M12x65mm	1		
33	4700909525	Seal nut	1		
34	4700902996	Plastic cap, green	1		
35	-	Housing, cartridge with speed sensor port	1		
36	4812157058	Lip seal	1		
37	4812157059	Retaining ring	1		
38	-	Pin	2		
39	-	Plug assembly	1		

Refer to Parts Online for the most up to date information. The printed information might be outdated.

Wed Nov 14 15:03:01 UTC 2018

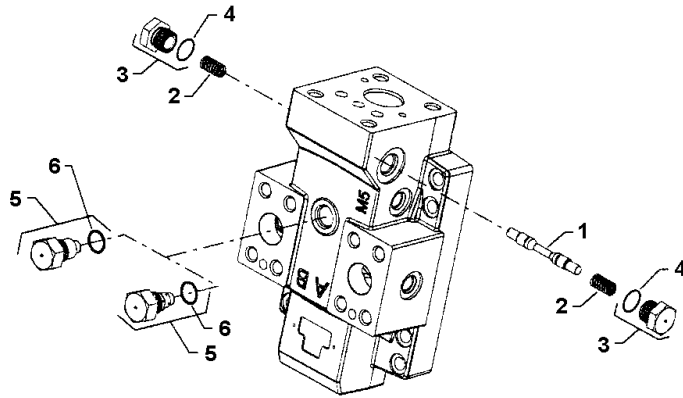


Refer to Parts Online for the most up to date information. The printed information might be outdated.

Wed Nov 14 15:03:01 UTC 2018

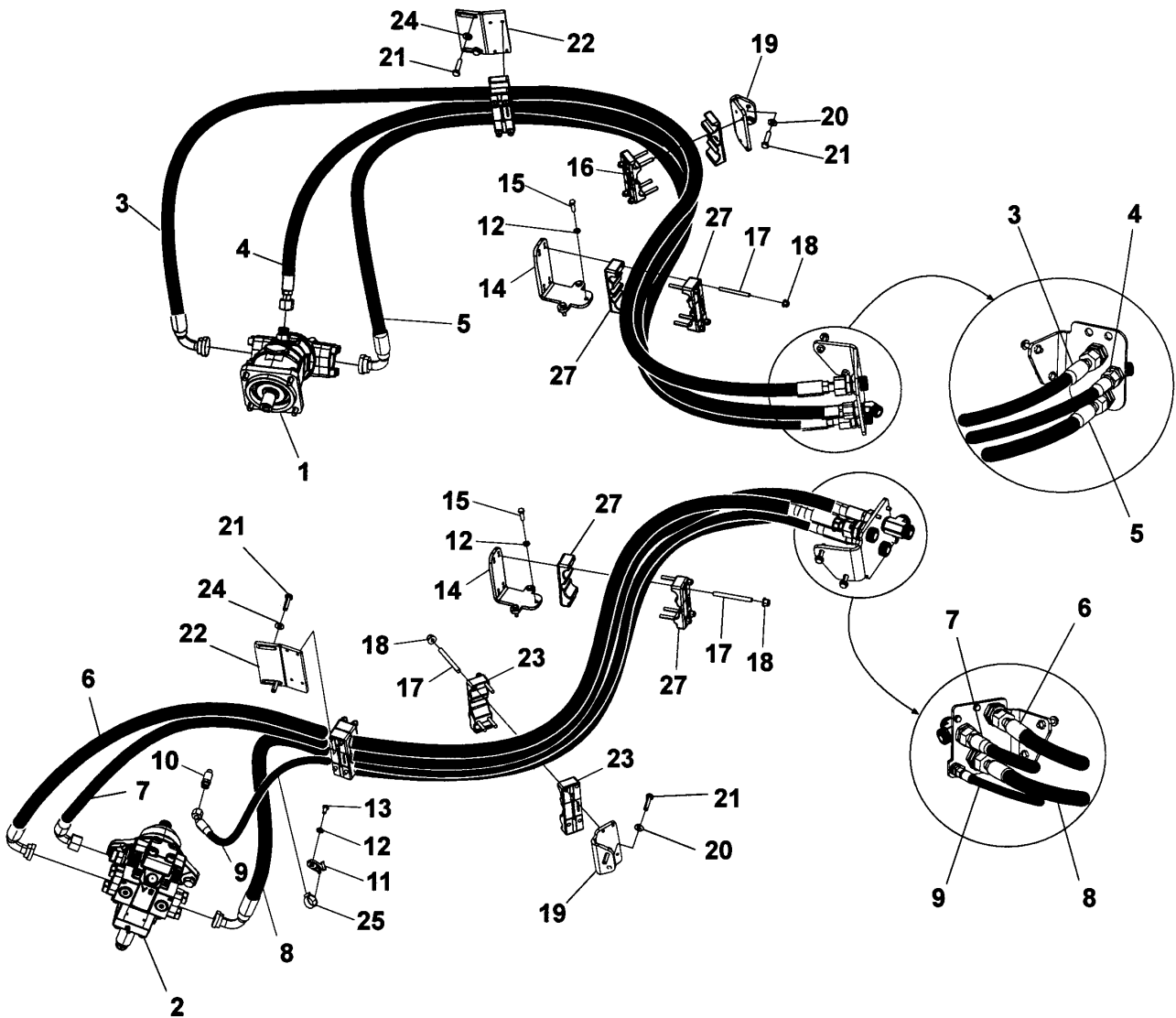
Item	Part No.	Name	Qty	L	SN INFO
40	--	O-ring	1		
41	-	Plug assembly	2		
42	--	O-ring	2		
43	4812157064	Gasket	1		
44	-	Plug assembly	1		
45	4812157057	O-ring	1		
46	-	Screw	1		
50	-	Loop flushing	1		
51	4812158154	Seal kit, cpl	1		

4812112200 Hydraulic motor Loop flushing



Item	Part No.	Name	Qty	L	SN INFO
1	4812157060	Spool	1		
2	4812157061	Spring	2		
3	-	Plug assembly	2		
4	--	O-ring	2		
5	4812157062	Loop flushing relief valve 10 l/min	1		
6	4812157063	O-ring	1		

Hydraulic system, drum Anti-spin system Hydraulic system, drum Anti-spin system

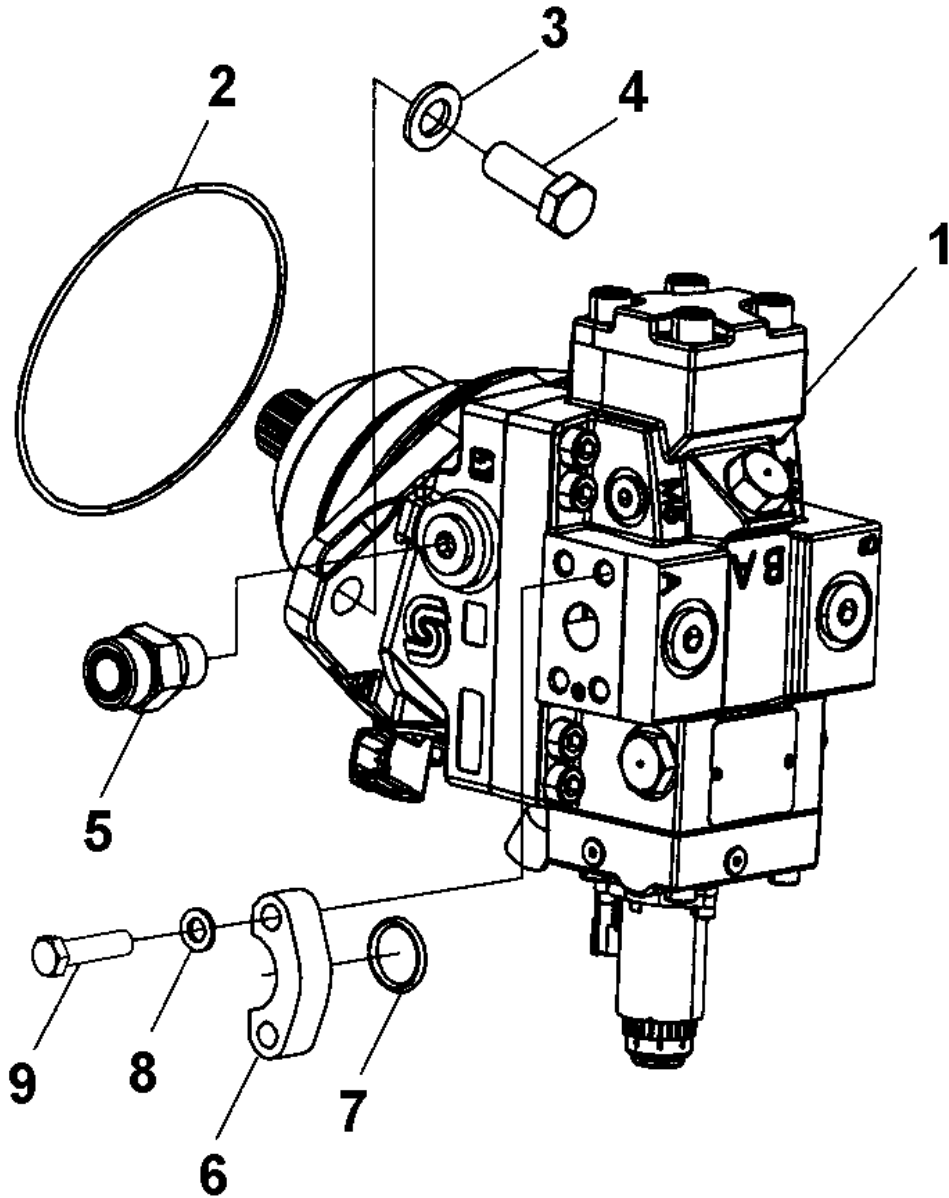


Refer to Parts Online for the most up to date information. The printed information might be outdated.

Wed Nov 14 15:03:02 UTC 2018

Item	Part No.	Name	Qty	L	SN INFO
1	-	Hydraulic motor, vibration	1		
2	-	Hydraulic motor, propulsion	1		
3	4812127106	Hydraulic hose	1		
4	4812114691	Hydraulic hose	1		
5	4812127105	Hydraulic hose	1		
6	4812127115	Hydraulic hose	1		
7	4812114670	Hydraulic hose	1		
8	4812127114	Hydraulic hose	1		
9	4812114673	Hydraulic hose	1		
10	4811000416	Straight connector orfs	1		
11	4812117326	Cable tie holder	1		
12	4700904229	Washer, 8.4x 6x1.5 mm 300HV	7		
13	4700500019	Hexagon screw	1		
14	4812117915	Bracket	2		
15	4700500022	Screw	6		
16	4812112304	Hose holder	4		
17	4700791860	Stud	24		
18	4700902286	Lock nut, M8x1.25 mm A2K	24		
19	4812113963	Bracket	2		
20	4700904230	Steel plain washer	4		
21	4700500028	Hex Head screw	8		
22	4812113569	Bracket	2		
23	4812112306	Hose holder	4		
24	4700904557	Washer, 10.5x22x4 mm 300 HV	4		
25	4812117325	Cable tie	1		
27	4812116857	Hose holder	4		

Hydraulic system, drum Anti-spin system Hydraulic motor

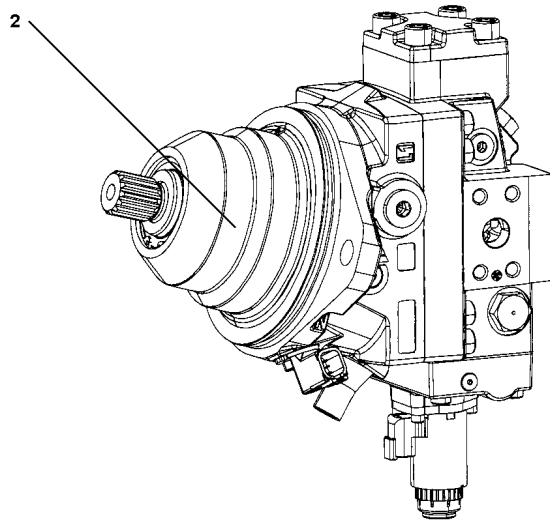
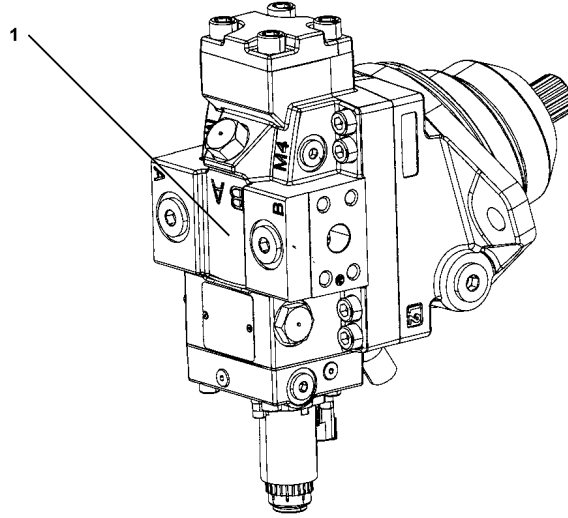


Refer to Parts Online for the most up to date information. The printed information might be outdated.

Wed Nov 14 15:03:02 UTC 2018

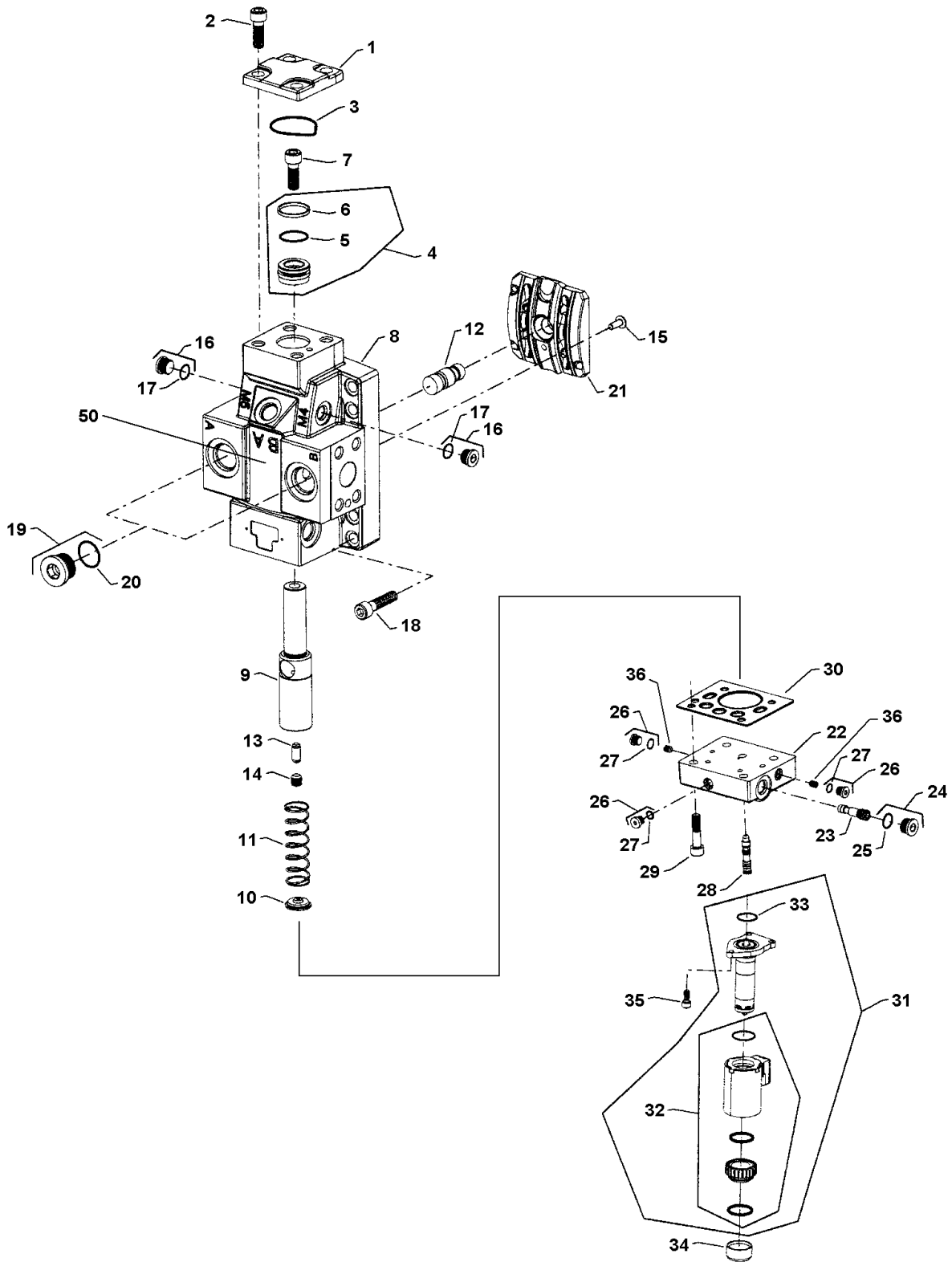
Item	Part No.	Name	Qty	L	SN INFO
1	4812112202	Drum motor	1		
2	4700160043	O-ring	1		
3	4700904232	Steel plain washer	2		
4	4700500093	Hex. screw	2		
5	4812115051	Straight connector orfs	1		
6	4700929226	Flange half	4		
7	4700904004	O-ring 90	2		
8	4700904637	Washer	8		
9	4700500030	Hexagon head screw	8		

4812112202 Drum motor 4812112202 Drum motor



Item	Part No.	Name	Qty	L	SN INFO
1	-	Drum motor. Front section	1		
2	-	Drum motor. Rear section	1		
3	4812158154	Seal kit, cpl	1		

4812112202 Drum motor Drum motor. Front section



Refer to Parts Online for the most up to date information. The printed information might be outdated.

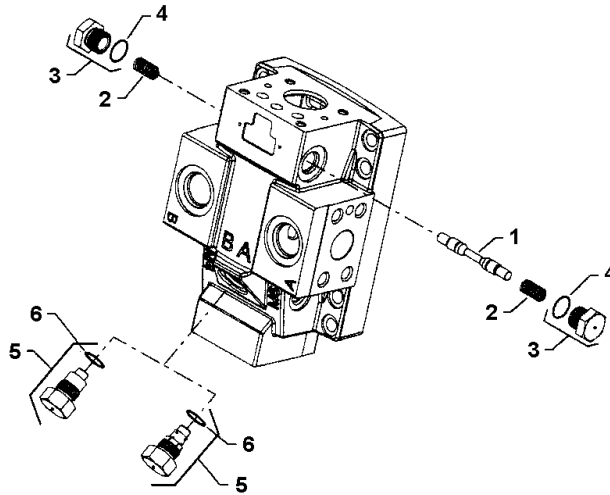
Wed Nov 14 15:03:02 UTC 2018

Item	Part No.	Name	Qty	L	SN INFO
1	-	Servo piston cover	1		
2	-	Screw	4		
3	4812157065	O-ring	1		
4	-	Servo piston assembly	1		
5	4812157066	O-ring	1		
6	4812157067	Piston ring	1		
7	-	Screw	1		
8	-	End cap	1		
9	-	Servo piston	1		
10	-	Spring guide	1		
11	-	Lock nut	1		
12	-	Setting lug	1		
13	4812157068	Setting lug pin	1		
14	-	Set screw	1		
15	-	Button head screw	1		
16	-	Plug assembly	2		
17	--	O-ring	2		
18	-	Screw	8		
19	-	Plug assembly	2		
20	--	O-ring	2		
21	4812157069	Valve segment assembly	1		
22	-	Control housing, proportional	1		
23	4812156999	Shuttle valve assembly	1		
24	-	Plug assembly	1		
25	--	O-ring	1		
26	-	Plug assembly	3		
27	--	O-ring	3		
28	4812157070	Spool	1		
29	-	Screw	4		
30	-	Control seal	1		
31	4812157071	Solenoid proportional valve 24V	1		
32	4812157072	Coil kit 24V	1		
33	4812157371	O-ring	1		
34	-	Plastic cap	1		
35	-	Screw	3		
36	-	Spring retainer	2		
50	-	Loop flushing	1		

Refer to Parts Online for the most up to date information. The printed information might be outdated.

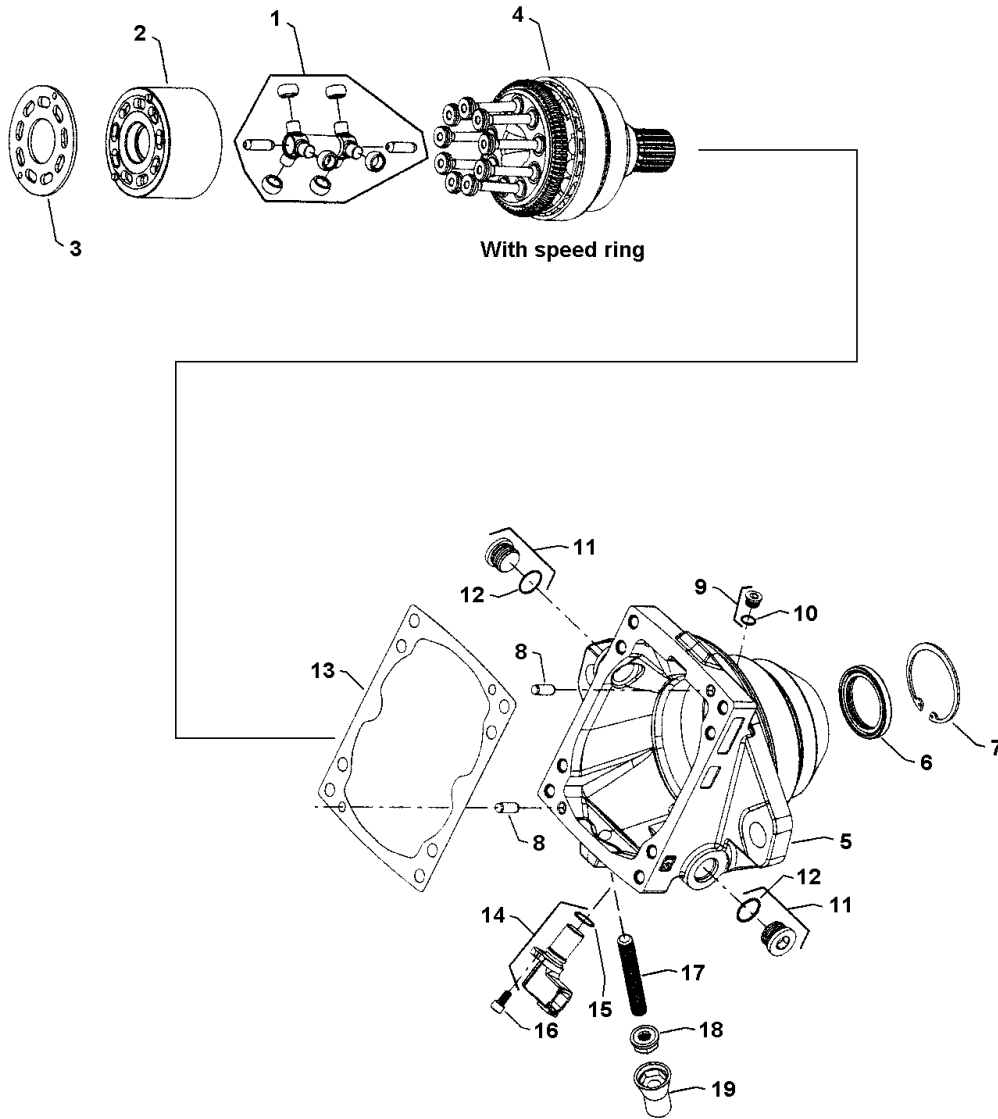
Wed Nov 14 15:03:02 UTC 2018

4812112202 Drum motor Loop flushing



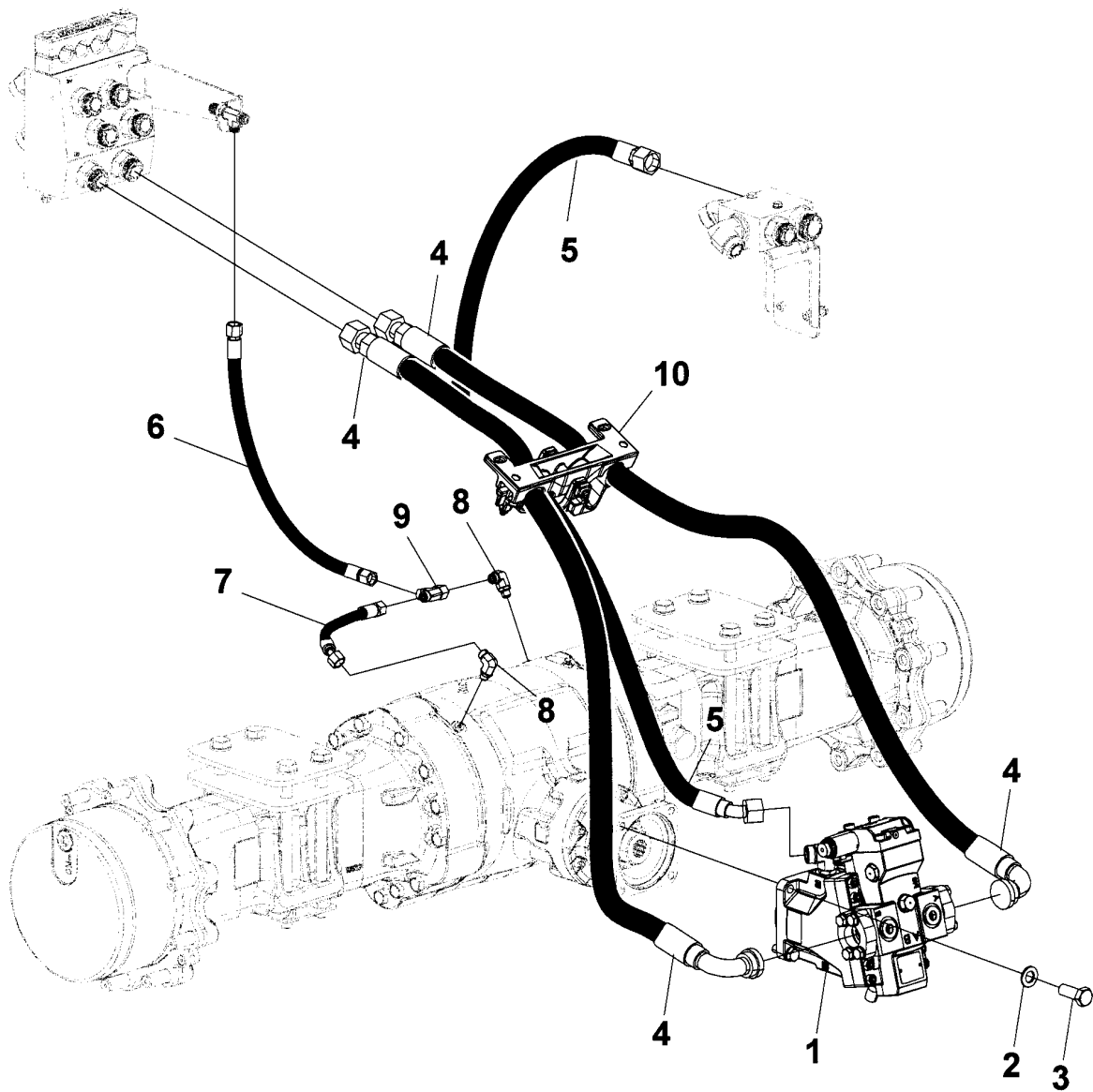
Item	Part No.	Name	Qty	L	SN INFO
1	4812157060	Spool	1		
2	4812157061	Spring	2		
3	-	Plug assembly	2		
4	--	O-ring	2		
5	4812157062	Loop flushing relief valve 10 l/min	1		
6	4812157063	O-ring	1		

4812112202 Drum motor Drum motor. Rear section



Item	Part No.	Name	Qty	L	SN INFO
1	-	Synch shaft assembly	1		
2	-	Cylinder block assembly	1		
3	4812157056	Bearing plate	1		
4	-	Shaft assembly, 14 tooth, DIN, speed ring	1		
5	-	Housing, cartridge with speed sensor port	1		
6	4812157058	Lip seal	1		
7	4812157059	Retaining ring	1		
8	-	Pin	2		
9	-	Plug assembly	1		
10	--	O-ring	1		
11	-	Plug assembly	2		
12	--	O-ring	2		
13	4812157064	Gasket	1		
14	4700396601	Pulse sensor (6-pol)	1		
15	4812157057	O-ring	1		
16	-	Screw	1		
17	-	Set screw, 0-19 cc, M12x65mm	1		
18	4700909525	Seal nut	1		
19	4700902996	Plastic cap, green	1		

Hydraulic system, rear axle Traction control, limited slip Hydraulic system, rear axle Traction control, limited slip

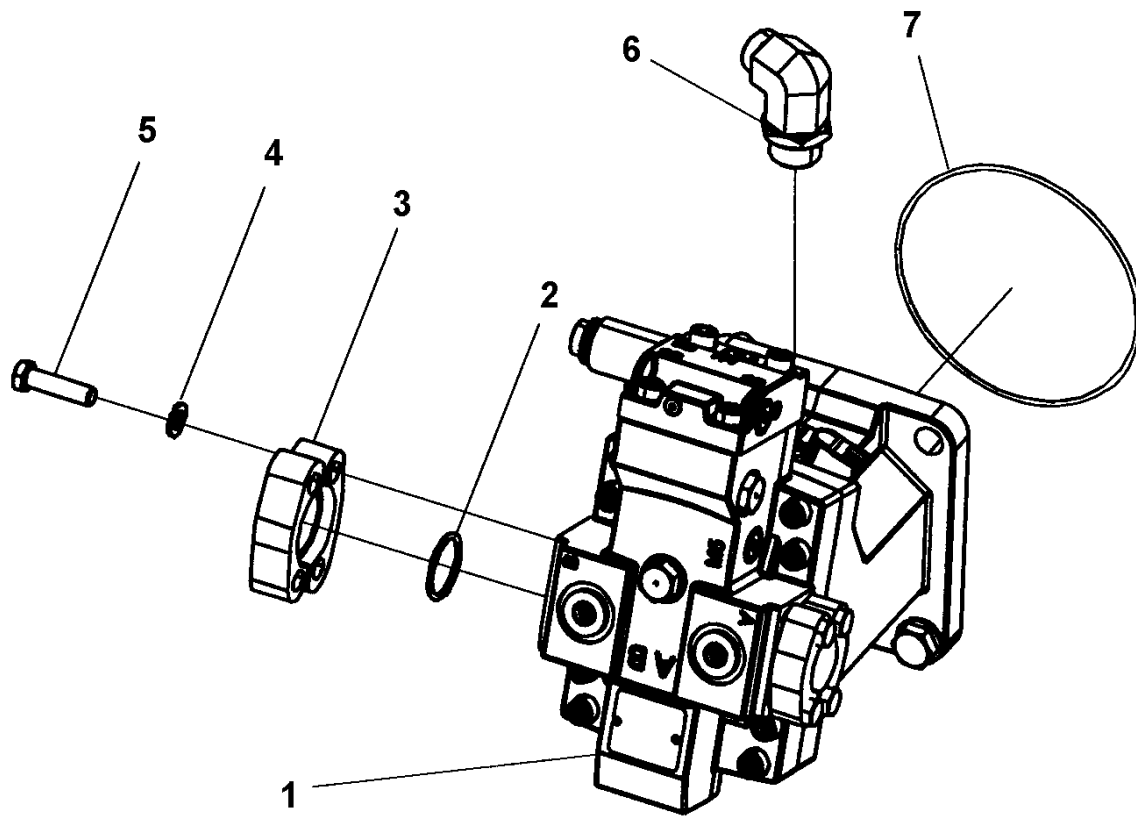


Refer to Parts Online for the most up to date information. The printed information might be outdated.

Wed Nov 14 15:03:03 UTC 2018

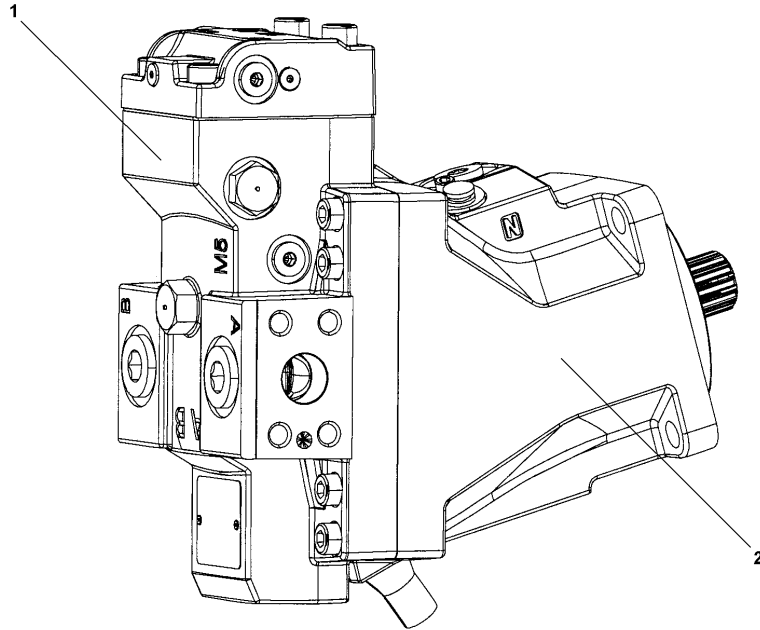
Item	Part No.	Name	Qty	L	SN INFO
1	-	Hydraulic motor, propulsion	1		
2	4700904231	Washer, 13x24x2 mm 300 HV	4		
3	4700500194	Hexagon head screw w Tuflok M12x40H 8.8 A3K	4		
4	4812127111	Hydraulic hose	2		
5	4811000230	Hydraulic hose	1		
6	4811000228	Hydraulic hose	1		
7	4811000229	Hydraulic hose	1		
8	4700791846	Adapter	2		
9	4700791414	T-connection, O-ring with swivel	1		
10	-	Hose holder	1		

Hydraulic system, rear axle Traction control, limited slip Hydraulic motor



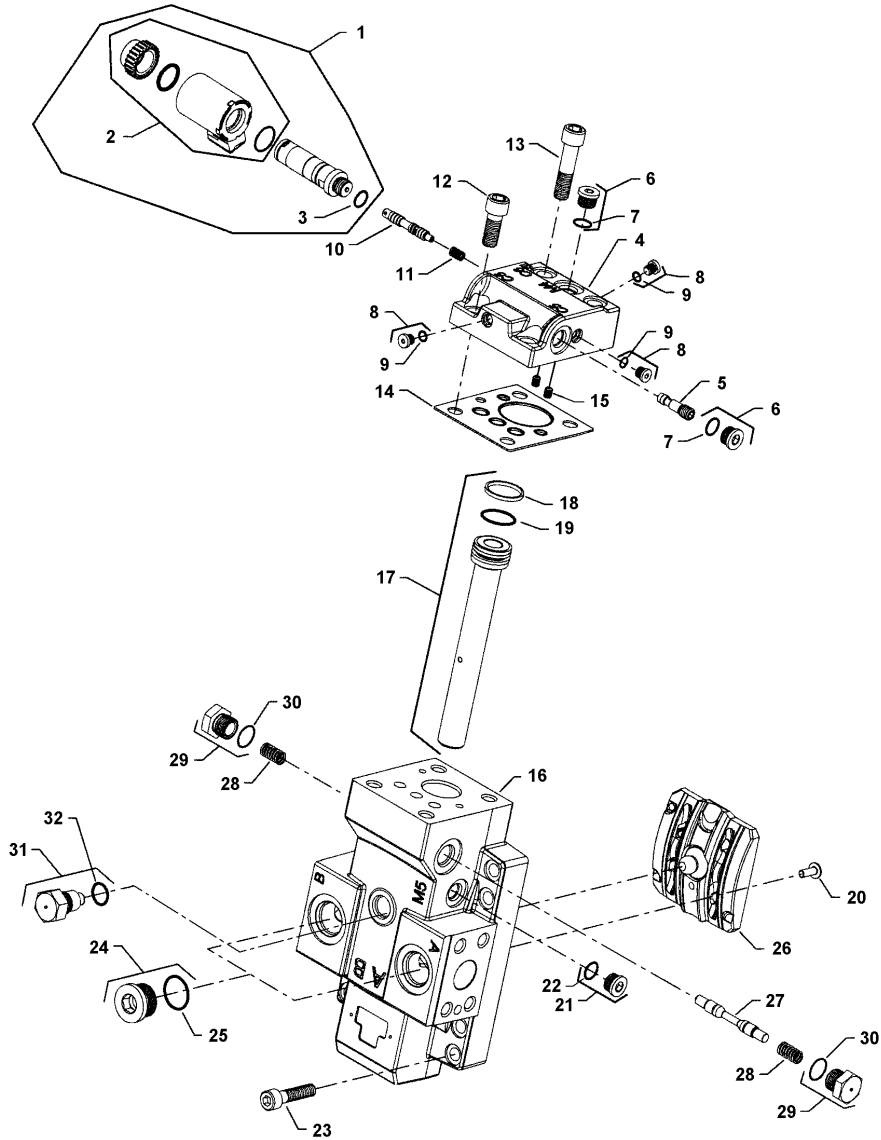
Item	Part No.	Name	Qty	L	SN INFO
1	4812112208	Rear axle motor	1		To A016907 incl. 17442
1	4812122931	Rear axle motor	1		From A016908 excl. 17442
2	4700904005	O-ring	2		
3	4700923384	Split flange	4		
4	4700904638	Washer 12x22x2	8		
5	4700928791	Screw, M12x45	8		
6	4700791838	Adapter	1		
7	4700160132	O-ring 70	1		

4812112208 Rear axle motor 4812112208 Rear axle motor



Item	Part No.	Name	Qty	L	SN INFO
1	-	Front section	1		
2	-	Rear section	1		
3	4812158273	Sealing kit	1		

4812112208 Rear axle motor Front section

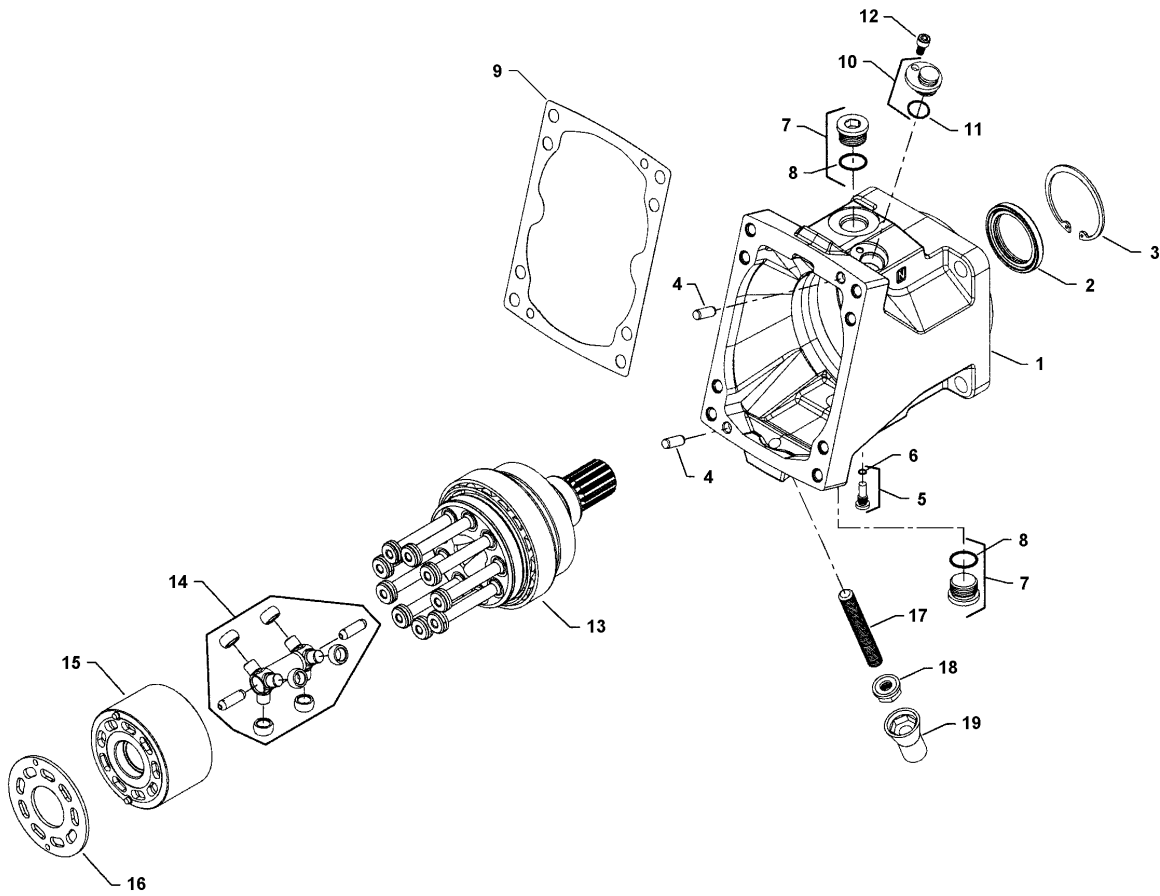


Refer to Parts Online for the most up to date information. The printed information might be outdated.

Wed Nov 14 15:03:04 UTC 2018

Item	Part No.	Name	Qty	L	SN INFO
1	4812157074	Solenoid On/off, 24 volt	1		
2	4812157075	Coil kit, 24 volt	1		
3	--	O-ring	1		
4	-	Control housing, 2 position	1		
5	4812156999	Shuttle valve assembly	1		
6	-	Plug assy	2		
7	--	O-ring	2		
8	-	Plug assy	3		
9	--	O-ring	3		
10	4812157051	Spool	1		
11	4812157052	Spring	1		
12	-	Screw	2		
13	-	Screw	2		
14	4812157053	Control seal	1		
15	-	Orifice plug	2		
16	-	End cap	1		
17	4812158270	Servo piston	1		
18	-	Piston ring	1		
19	-	O-ring	1		
20	-	Button head screw	1		
21	-	Plug assy	1		
22	-	O-ring	1		
23	-	Screw	8		
24	-	Plug assy	2		
25	-	O-ring	2		
26	4812158271	Valve segment assembly	1		
27	4812157060	Spool	1		
28	4812157061	Spring	2		
29	-	Plug assy	2		
30	--	O-ring	2		
31	4812157062	Loop flushing relief valve 10 l/min	1		
32	4812157063	O-ring	1		

4812112208 Rear axle motor Rear section

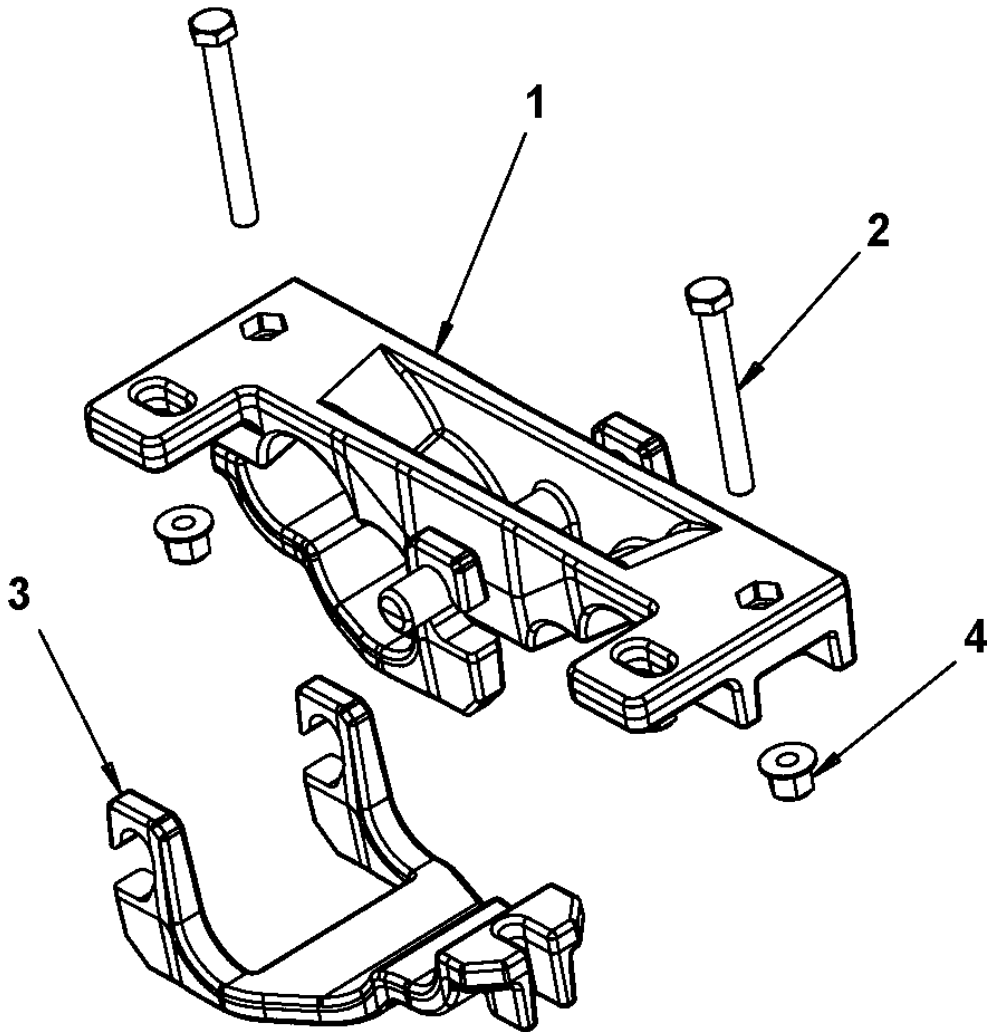


Refer to Parts Online for the most up to date information. The printed information might be outdated.

Wed Nov 14 15:03:04 UTC 2018

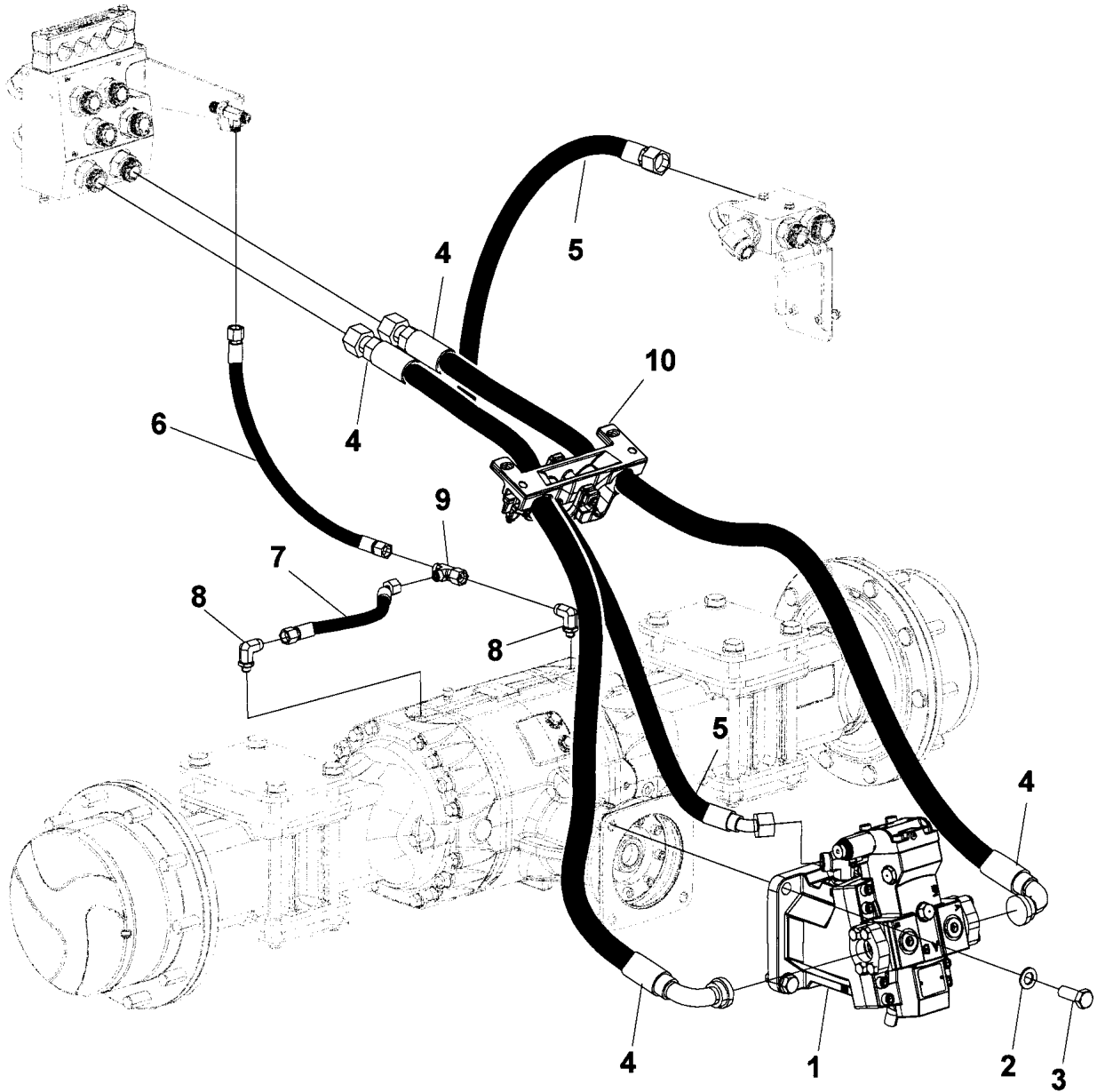
Item	Part No.	Name	Qty	L	SN INFO
1	-	Housing	1		
2	4812157058	Lip seal	1		
3	4812157059	Retaining ring	1		
4	-	Pin	2		
5	-	Shaft locating plug assy	1		
6	--	O-ring	1		
7	-	Plug assy	2		
8	--	O-ring	2		
9	4812158274	Gasket	1		
10	-	PPU Plug assy	1		
11	4812157057	O-ring	1		
12	-	Screw	1		
13	-	Shaft assembly, 14 tooth	1		
14	-	Synch shaft assembly	1		
15	-	Cylinder block assy	1		
16	4812158272	Bearing plate	1		
17	-	Set screw	1		
18	4700909525	Seal nut	1		
19	4700902996	Plastic cap, green	1		

Hydraulic system, rear axle Traction control, limited slip Hose holder



Item	Part No.	Name	Qty	L	SN INFO
1	4812114652	Hose holder	1		
2	4700500189	Screw	2		
3	4812114622	Hose holder	2		
4	4700902286	Lock nut, M8x1.25 mm A2K	4		

Hydraulic system, rear axle Traction control, no slip Hydraulic system, rear axle Traction control, no slip

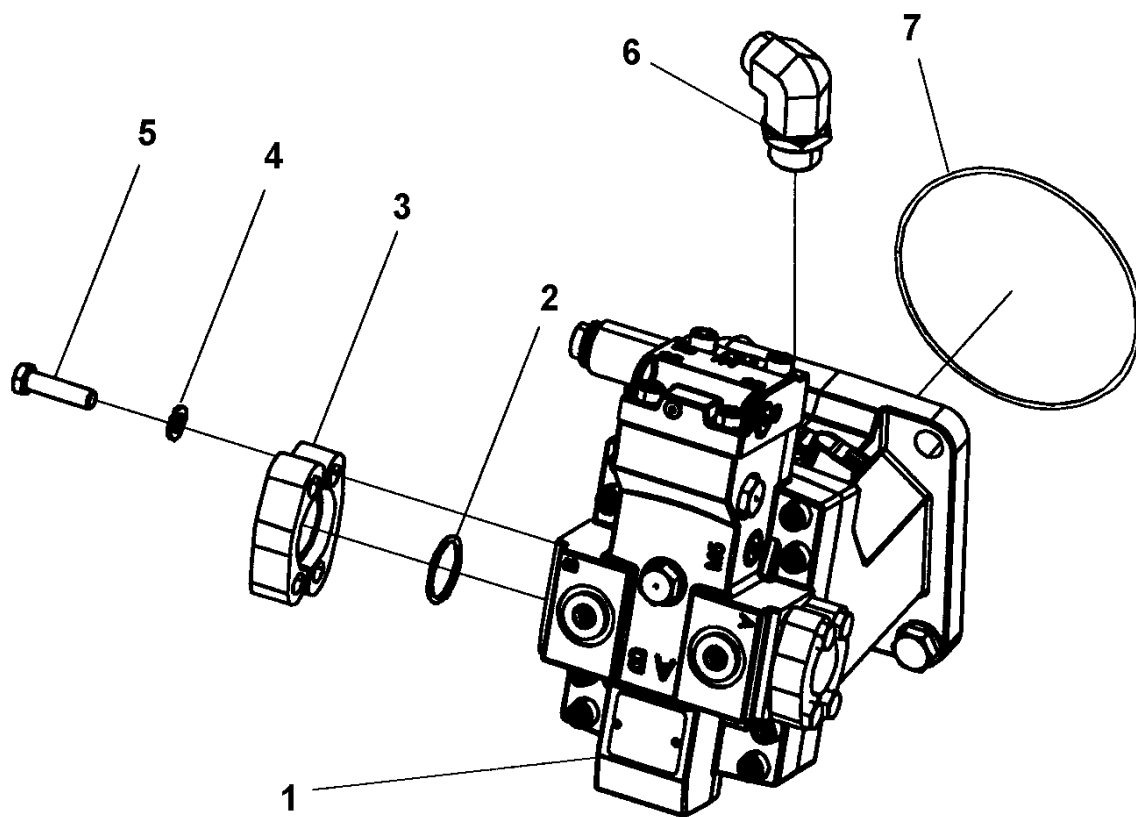


Refer to Parts Online for the most up to date information. The printed information might be outdated.

Wed Nov 14 15:03:04 UTC 2018

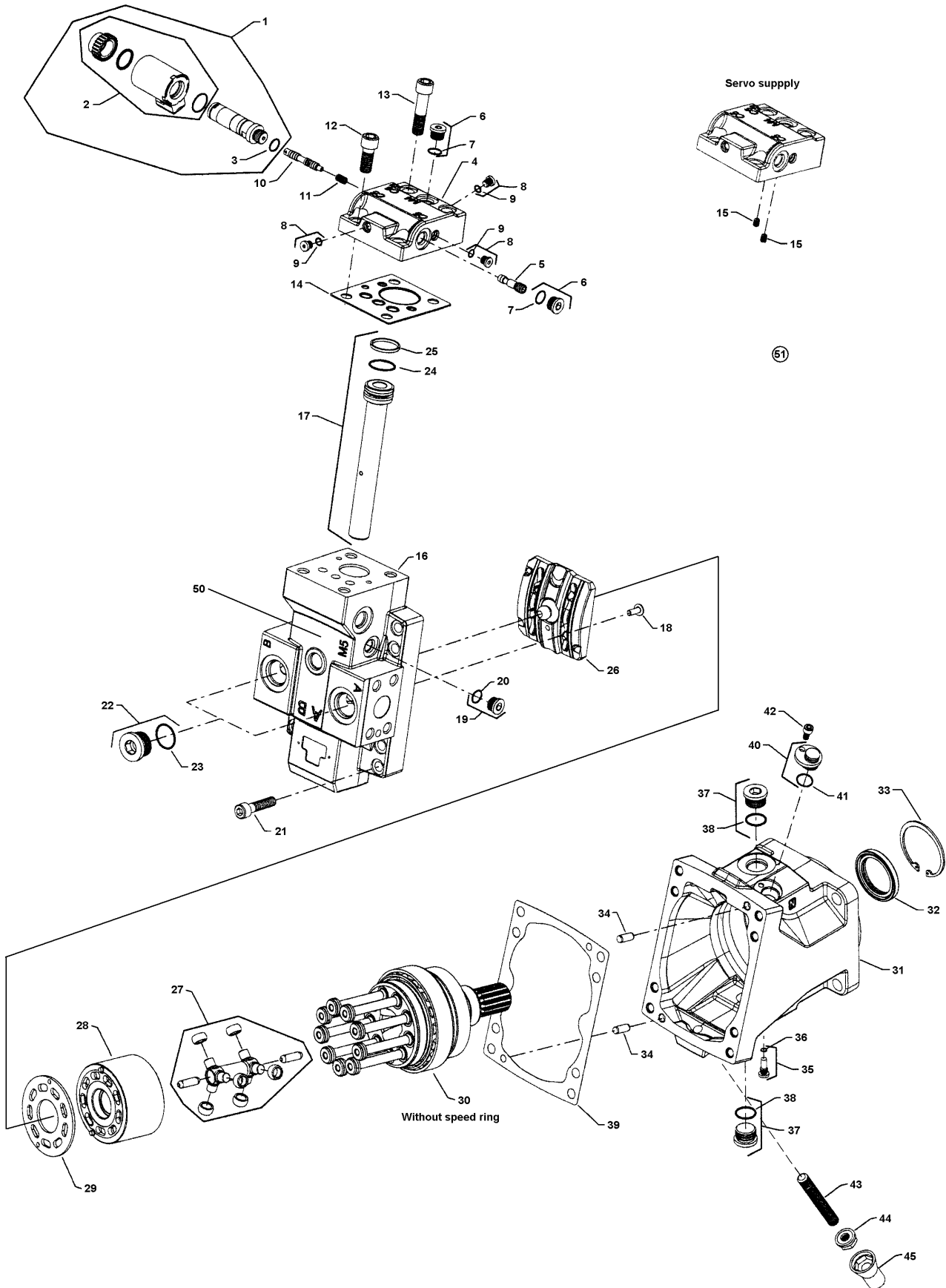
Item	Part No.	Name	Qty	L	SN INFO
1	-	Hydraulic motor, propulsion	1		
2	4700904793	Steel plain washer	4		
3	4811000310	Hexagon head screw	4		
4	4812127111	Hydraulic hose	2		
5	4811000230	Hydraulic hose	1		
6	4811000228	Hydraulic hose	1		
7	4811000229	Hydraulic hose	1		
8	4811000086	Elbow 90 orfs	2		
9	4700791414	T-connection, O-ring with swivel	1		
10	-	Hose holder	1		

Hydraulic system, rear axle Traction control, no slip Hydraulic motor



Item	Part No.	Name	Qty	L	SN INFO
1	4812112211	Rear axle motor	1		To A018406 excl. 17059
1	4812122932	Rear axle motor	1		From A018407 incl. 17059
2	4700904005	O-ring	2		
3	4700923384	Split flange	4		
4	4700904638	Washer 12x22x2	8		
5	4700928791	Screw, M12x45	8		
6	4700791231	Adapter	1		
7	4700160043	O-ring	1		

4812112211 Rear axle motor 4812112211 Rear axle motor



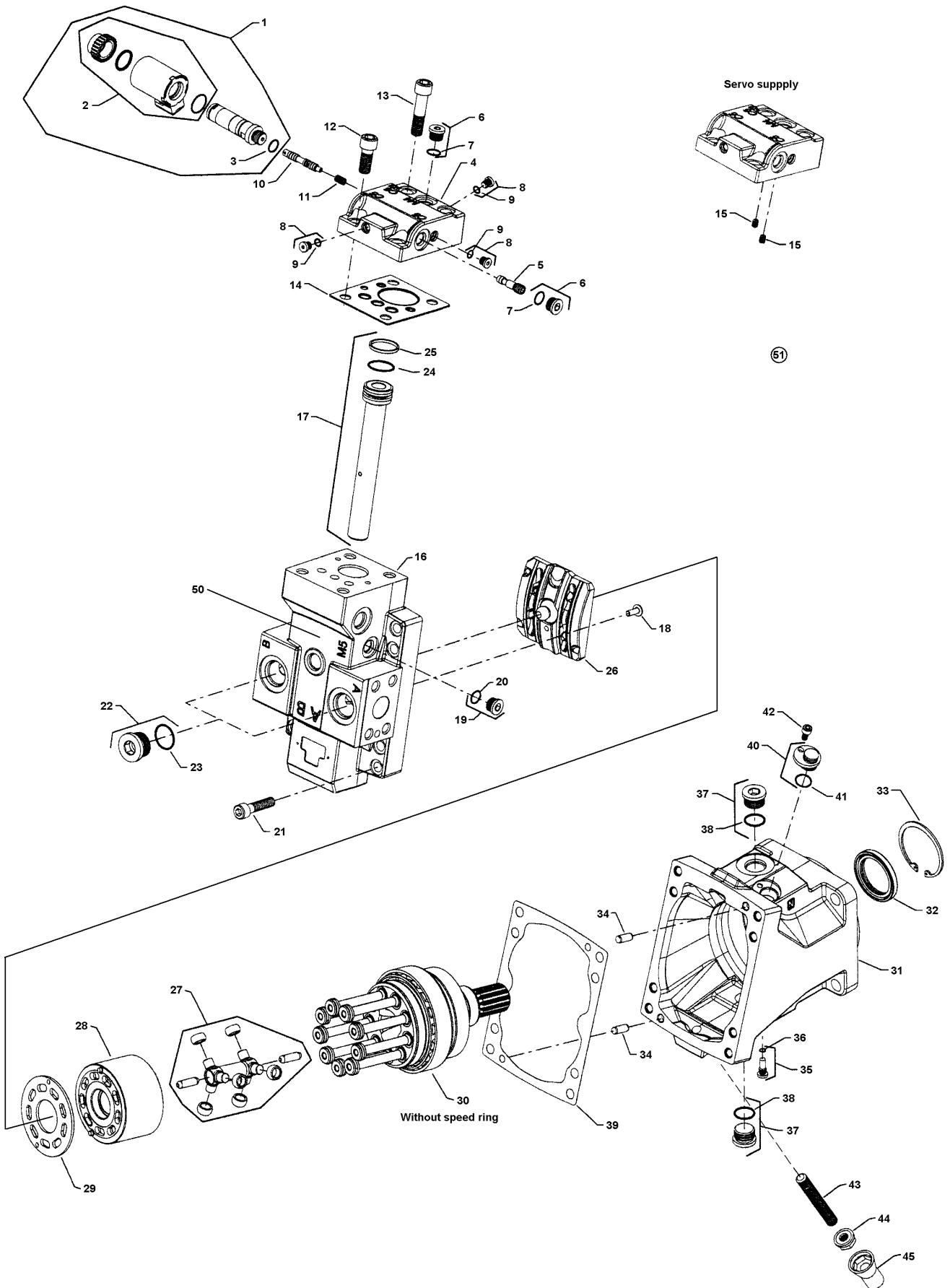
Refer to Parts Online for the most up to date information. The printed information might be outdated.

Wed Nov 14 15:03:05 UTC 2018

Item	Part No.	Name	Qty	L	SN INFO
1	4812157074	Solenoid On/off, 24 volt	1		
2	4812157075	Coil kit, 24 volt	1		
3	-	O-ring	1		
4	-	Control housing, 2 position	1		
5	4812156999	Shuttle valve assembly	1		
6	-	Plug assembly	2		
7	--	O-ring	2		
8	-	Plug assembly	3		
9	--	O-ring	3		
10	4812157051	Spool	1		
11	4812157052	Spring	1		
12	-	Screw	2		
13	-	Screw	2		
14	4812157053	Control seal	1		
15	-	Orifice plug, 1.2 mm	2		
16	-	End cap	1		
17	4812157076	Servo piston	1		
18	-	Button head screw	1		
19	-	Plug assembly	1		
20	--	O-ring	1		
21	-	Screw	8		
22	-	Plug assembly	2		
23	--	O-ring	2		
24	-	O-ring	1		
25	-	Piston ring	1		
26	4812157077	Valve segment assembly	1		
27	-	Synch shaft assembly	1		
28	-	Cylinder block assembly	1		
29	4700902930	Bearing plate	1		
30	-	Shaft assembly, 13 tooth, 8/12 pitch	1		
31	-	Housing, SAE flange with speed sensor port	1		
32	4700945757	Shaft seal	1		
33	4812157078	Retaining ring	1		
34	-	Pin	2		
35	-	Shaft locating plug assembly	1		
36	--	O-ring	1		
37	-	Plug assembly	2		
38	--	O-ring	2		

Refer to Parts Online for the most up to date information. The printed information might be outdated.

Wed Nov 14 15:03:05 UTC 2018

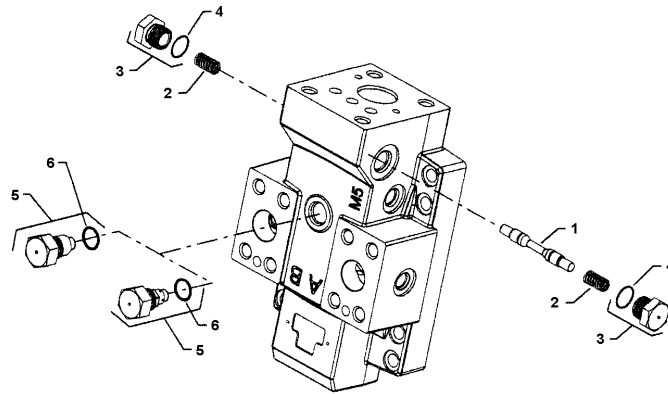


Refer to Parts Online for the most up to date information. The printed information might be outdated.

Wed Nov 14 15:03:06 UTC 2018

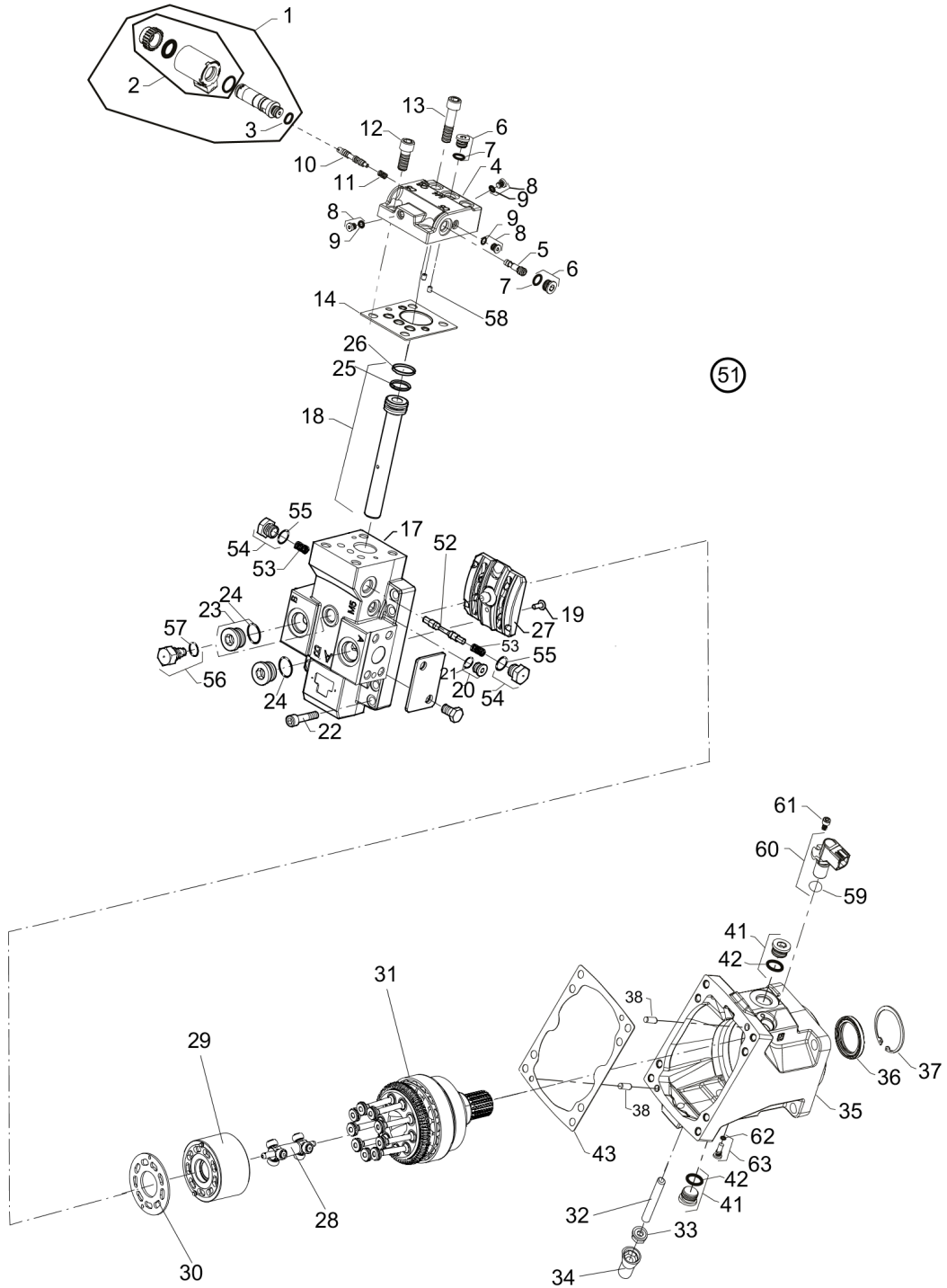
Item	Part No.	Name	Qty	L	SN INFO
39	4812157079	Gasket	1		
40	-	PPU Plug assembly	1		
41	4812157057	O-ring	1		
42	-	Screw	1		
43	-	Set screw, 32-60cc, M12x90mm	1		
44	4700909525	Seal nut	1		
45	4700902996	Plastic cap, green	1		
50	-	Loop flusing	1		
51	4812158153	Seal kit,cpl	1		

4812112211 Rear axle motor Loop flusing



Item	Part No.	Name	Qty	L	SN INFO
1	4812157060	Spool	1		
2	4812157061	Spring	2		
3	-	Plug assembly	2		
4	--	O-ring	2		
5	4812157062	Loop flushing relief valve 10 l/min	1		
6	4812157063	O-ring	1		

Hydraulic system, rear axle Traction control, no slip 4812122932 Hydraulic motor



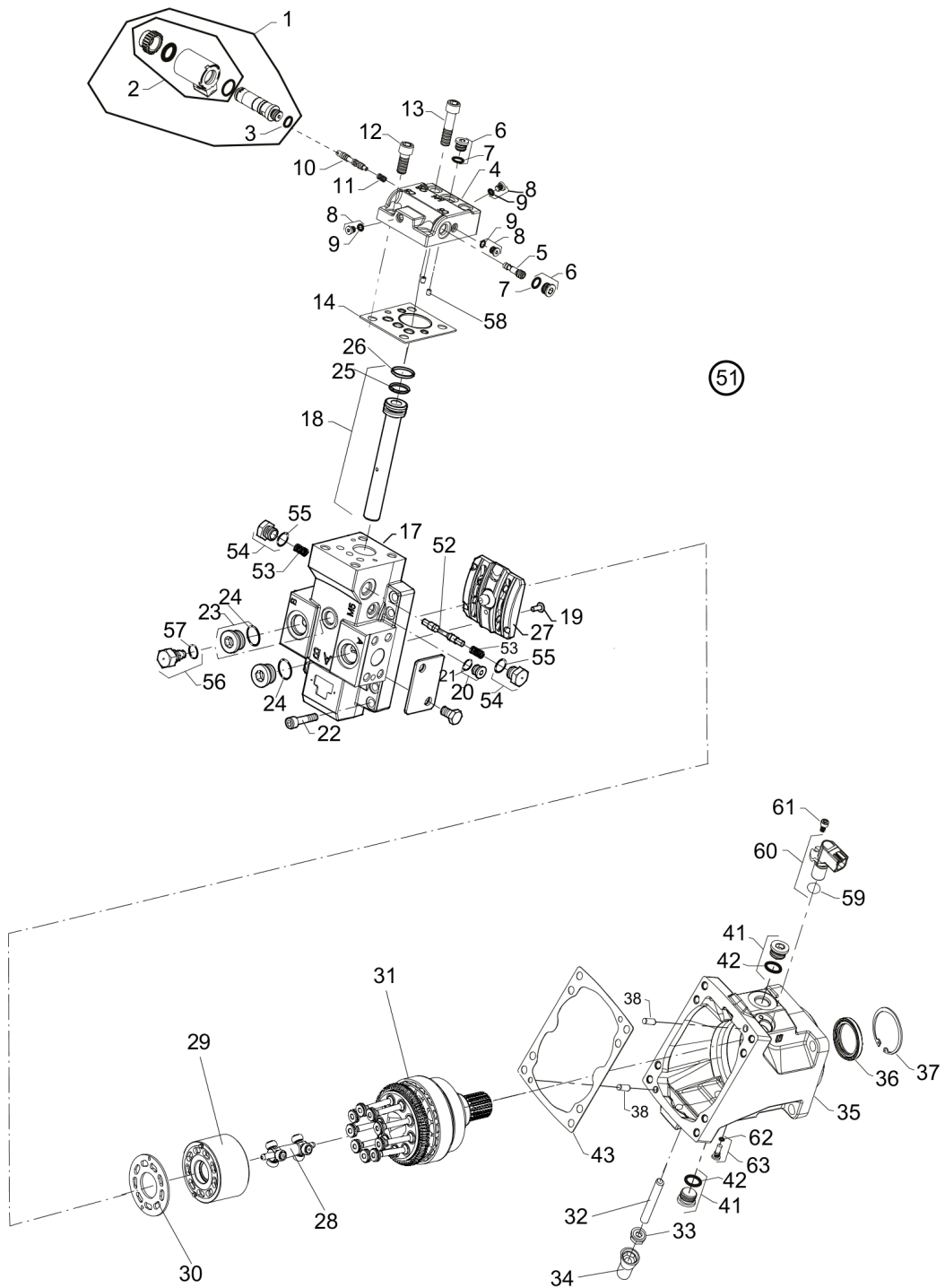
Refer to Parts Online for the most up to date information. The printed information might be outdated.

Wed Nov 14 15:03:07 UTC 2018

Item	Part No.	Name	Qty	L	SN INFO
1	-	Solenoid On/off, 24 volt	1		
2	--	Coil kit, 24 volt	1		
3	4700923087	O-ring	1		
4	-	Control housing, 2 position	1		
5	4812156999	Shuttle valve assembly	1		
6	-	Plug	2		
7	4700923087	O-ring	2		
8	4700908426	Plug, cpl	3		
9	4700908440	O-ring	3		
10	4812157051	Spool	1		
11	4812157052	Spring	1		
12	4812158452	Screw	2		
13	4700902944	Screw	2		
14	4812157053	Control seal	1		
17	-	End cap	1		
18	4812157076	Servo piston	1		
19	-	Button head screw	1		
20	-	Plug assembly	1		
21	--	O-ring	1		
22	4700902944	Screw	8		
23	4700902928	Plug	2		
24	--	O-ring	2		
25	4700935525	O-ring	1		
26	4700935524	Seal plug	1		
27	4812157077	Valve segment assembly	1		
28	-	Synch shaft assembly	1		
29	-	Cylinder block assembly	1		
30	4700902930	Bearing plate	1		
31	-	Shaft assembly, 14 tooth, DIN	1		
32	-	Set screw, 0-19cc, M12x65mm	1		
33	4700909525	Seal nut	1		
34	4700902996	Plastic cap, green	1		
35	-	Housing, cartridge with speed sensor port	1		
36	-	Lip seal	1		
37	4812157078	Retaining ring	1		
38	-	Pin	2		
41	-	Plug assembly	2		
42	--	O-ring	2		

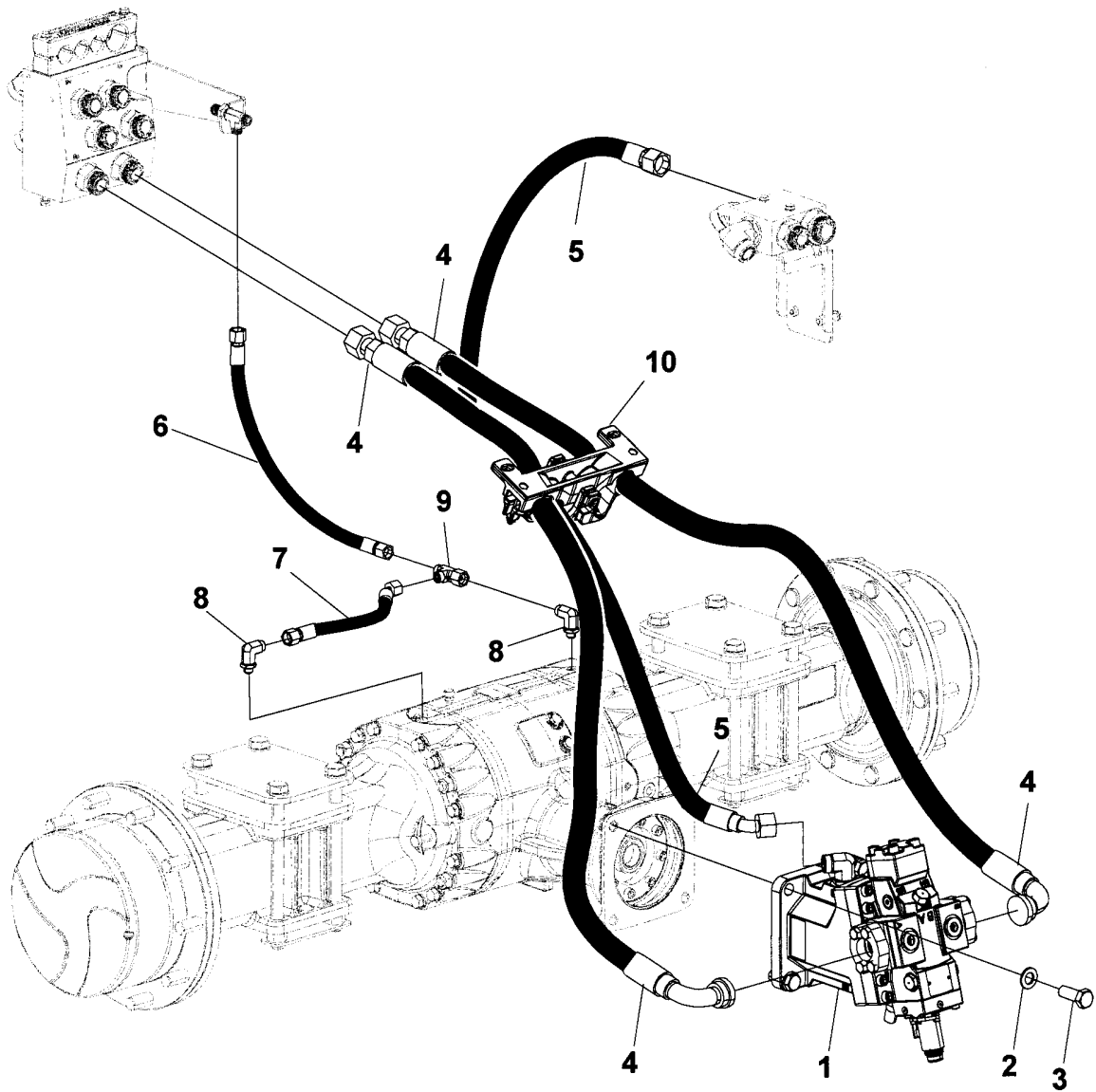
Refer to Parts Online for the most up to date information. The printed information might be outdated.

Wed Nov 14 15:03:07 UTC 2018



Item	Part No.	Name	Qty	L	SN INFO
43	-	Plain washer	1		
50	-	Loop flushing	1		
51	4812158153	Seal kit,cpl	1		
52	4812157060	Spool	1		
53	4812157061	Spring	2		
54	-	Plug assembly	2		
55	--	O-ring	2		
56	4812157062	Loop flushing relief valve 10 l/min	1		
57	4812157063	O-ring	1		
58	-	Orifice plug, 1.2 mm	1		
59	-	O-ring	1		
60	4812157073	Speed sensor	1		
61	-	Screw	1		
62	4700908440	O-ring	1		
63	-	Plug assembly	1		

Hydraulic system, rear axle Anti-spin system Hydraulic system, rear axle Anti-spin system

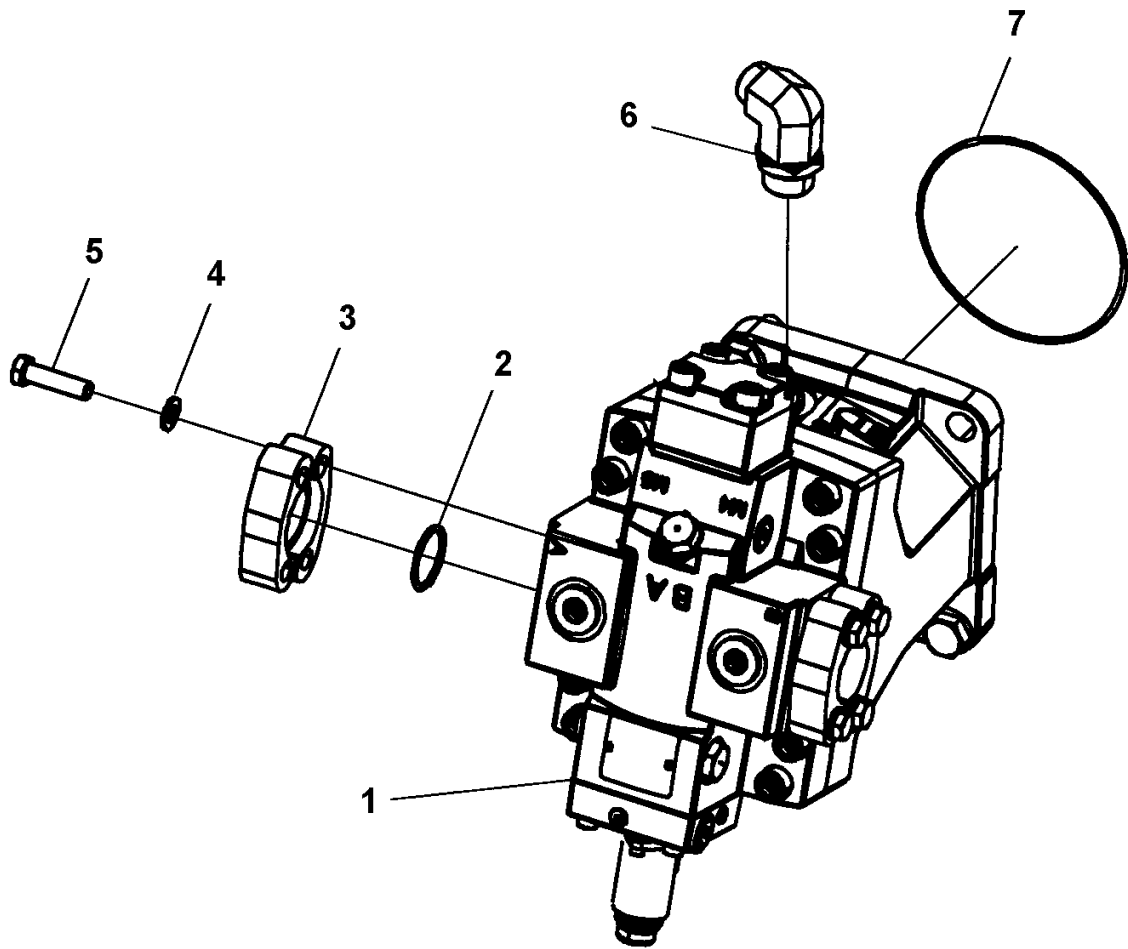


Refer to Parts Online for the most up to date information. The printed information might be outdated.

Wed Nov 14 15:03:07 UTC 2018

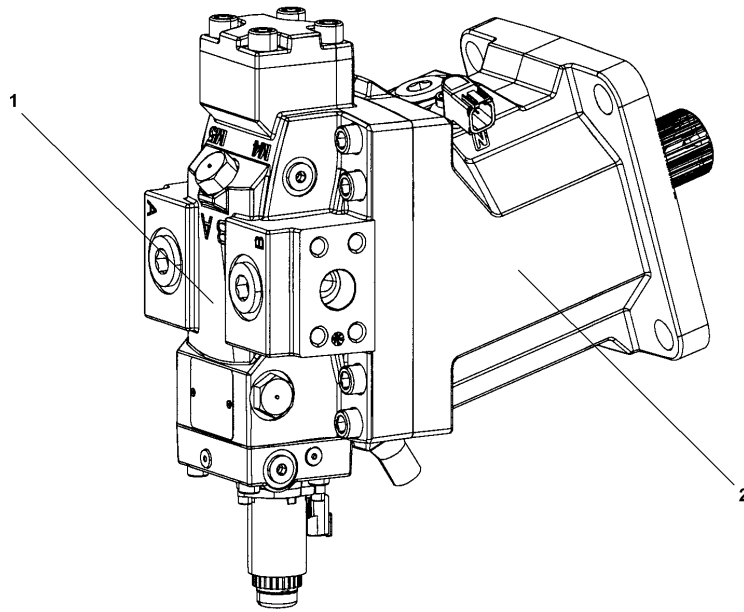
Item	Part No.	Name	Qty	L	SN INFO
1	-	Hydraulic motor, propulsion	1		
2	4700904793	Steel plain washer	4		
3	4811000310	Hexagon head screw	4		
4	4812127111	Hydraulic hose	2		
5	4811000230	Hydraulic hose	1		
6	4811000228	Hydraulic hose	1		
7	4811000229	Hydraulic hose	1		
8	4811000086	Elbow 90 orfs	2		
9	4700791414	T-connection, O-ring with swivel	1		
10	-	Hose holder	1		

Hydraulic system, rear axle Anti-spin system Hydraulic motor



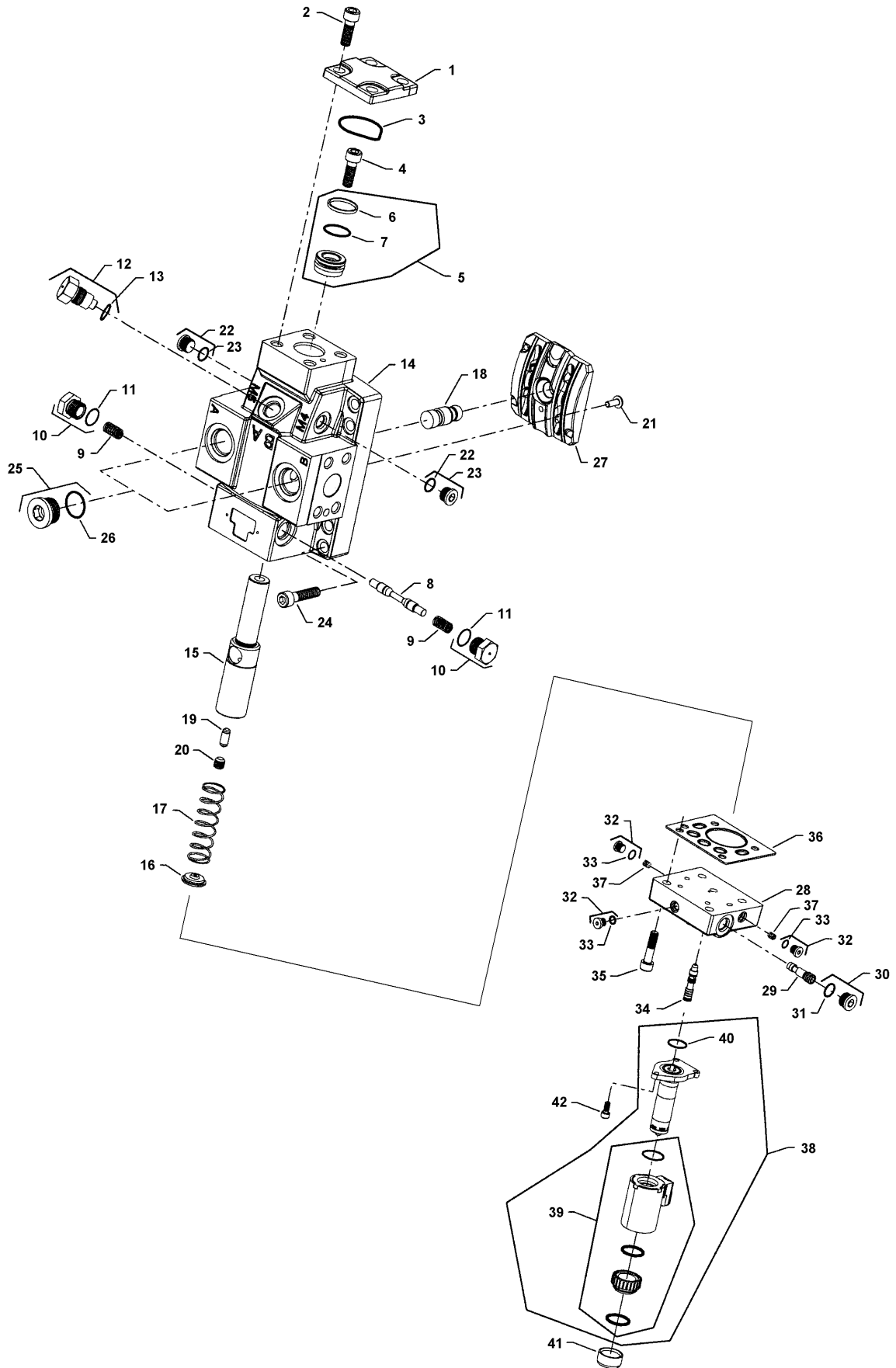
Item	Part No.	Name	Qty	L	SN INFO
1	4812112210	Rear axle motor	1		
2	4700904005	O-ring	2		
3	4700923384	Split flange	4		
4	4700904638	Washer 12x22x2	8		
5	4700928791	Screw, M12x45	8		
6	4700791231	Adapter	1		
7	4700160043	O-ring	1		

4812112210 Rear axle motor 4812112210 Rear axle motor



Item	Part No.	Name	Qty	L	SN INFO
1	-	Front section	1		
2	-	Rear section	1		
3	4812158153	Seal kit,cpl	1		

4812112210 Rear axle motor Front section



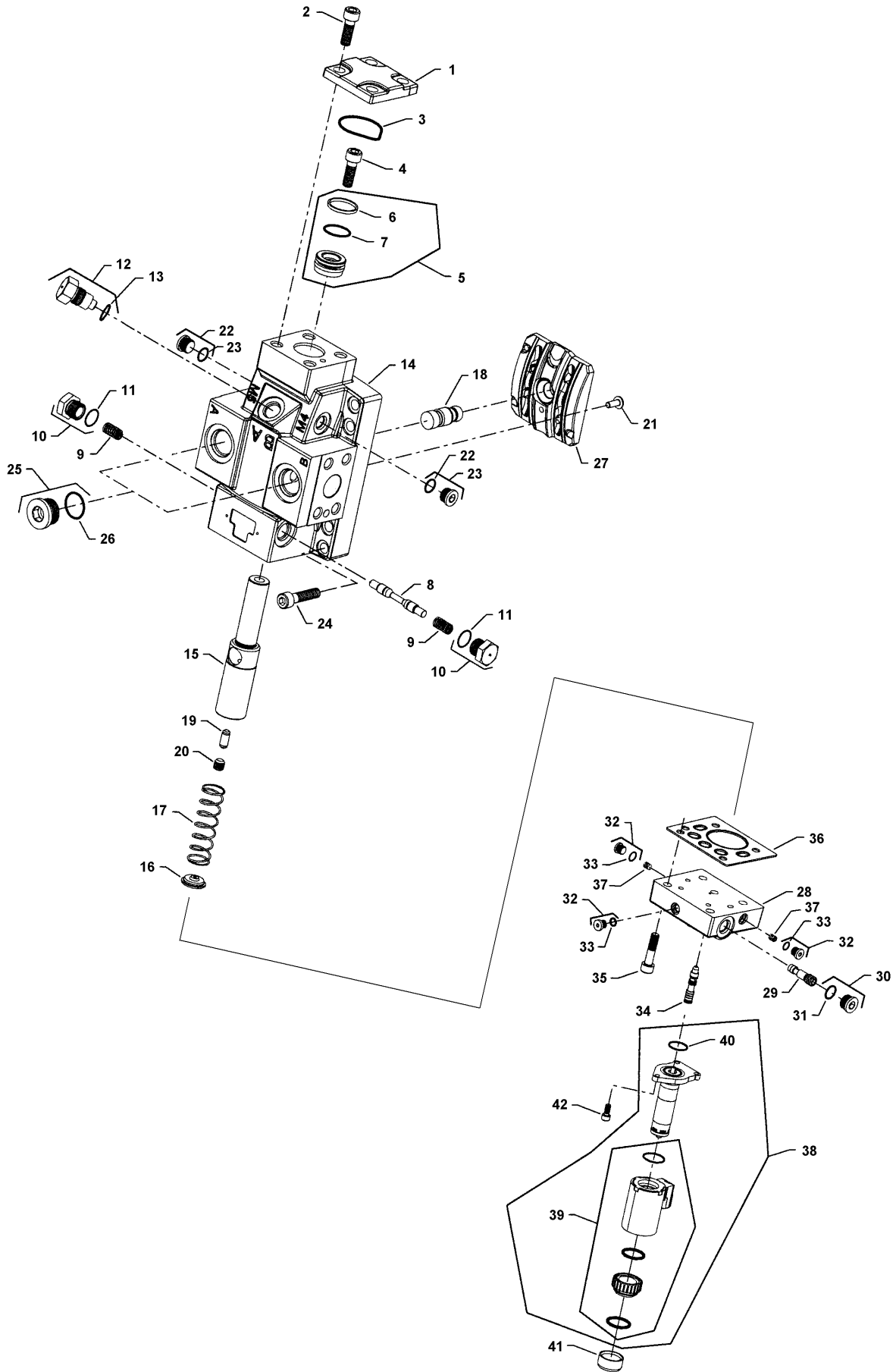
Refer to Parts Online for the most up to date information. The printed information might be outdated.

Wed Nov 14 15:03:08 UTC 2018

Item	Part No.	Name	Qty	L	SN INFO
1	-	Servo piston cover	1		
2	-	Screw	4		
3	4812157065	O-ring	1		
4	-	Screw	1		
5	4812158266	Servo piston assy	1		
6	-	O-ring	1		
7	-	Piston ring	1		
8	4812157060	Spool	1		
9	4812157061	Spring	2		
10	-	Plug assy	2		
11	--	O-ring	2		
12	4812157062	Loop flushing relief valve 10 l/min	1		
13	4812157063	O-ring	1		
14	-	End cap	1		
15	-	Servo piston	1		
16	-	Spring guide	1		
17	-	Lock nut	1		
18	-	Setting lug	1		
19	-	Setting lug pin	1		
20	-	Set screw	1		
21	-	Button head screw	1		
22	-	Plug assy	2		
23	--	O-ring	2		
24	-	Screw	8		
25	-	Plug assy	2		
26	--	O-ring	2		
27	4812158265	Valve segment assembly	1		
28	-	Control housing	1		
29	4812156999	Shuttle valve assembly	1		
30	-	Plug assy	1		
31	--	O-ring	1		
32	-	Plug assy	3		
33	--	O-ring	3		
34	4812157070	Spool	1		
35	-	Screw	4		
36	4812157080	Control seal	1		
37	-	Orifice plug, 1,2 mm	2		
38	4812157071	Solenoid proportional valve 24V	1		

Refer to Parts Online for the most up to date information. The printed information might be outdated.

Wed Nov 14 15:03:08 UTC 2018

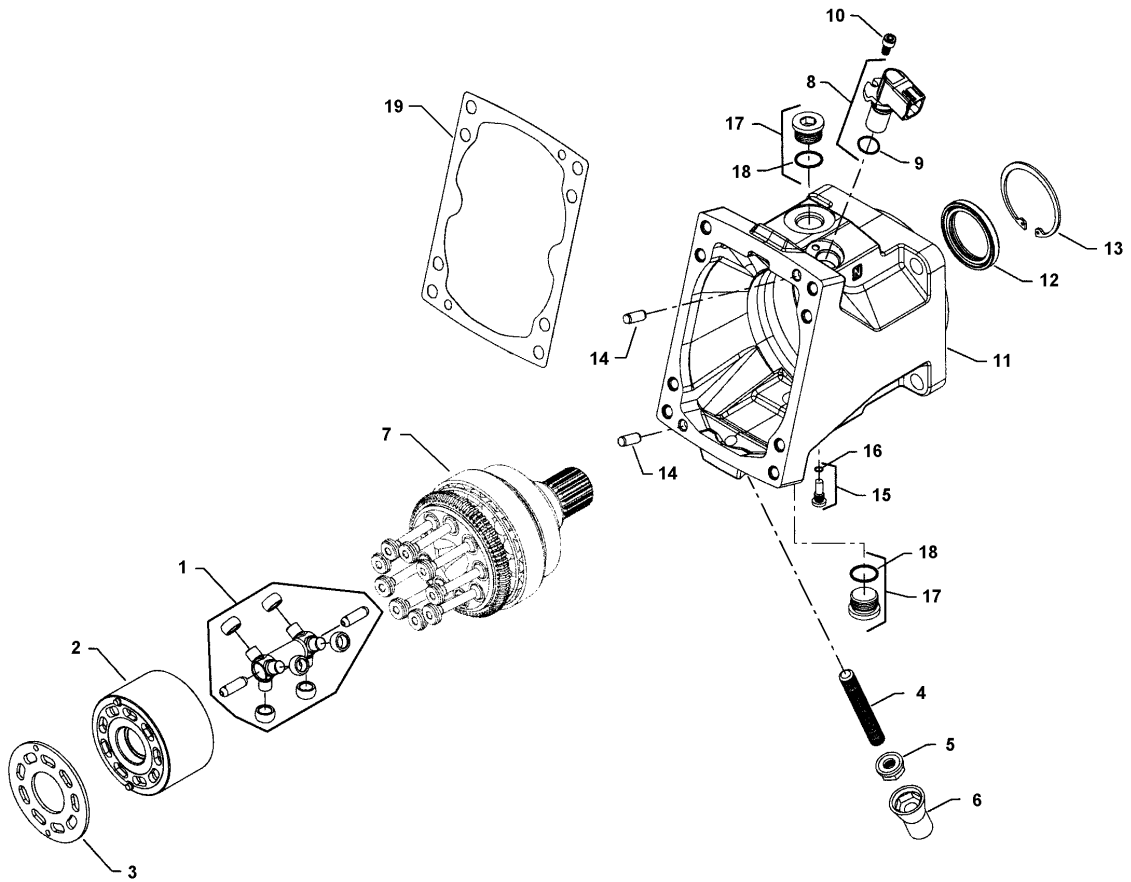


Refer to Parts Online for the most up to date information. The printed information might be outdated.

Wed Nov 14 15:03:08 UTC 2018

Item	Part No.	Name	Qty	L	SN INFO
39	4812157072	Coil kit 24V	1		
40	4812157371	O-ring	1		
41	-	Plastic cap	1		
42	-	Screw	3		

4812112210 Rear axle motor Rear section

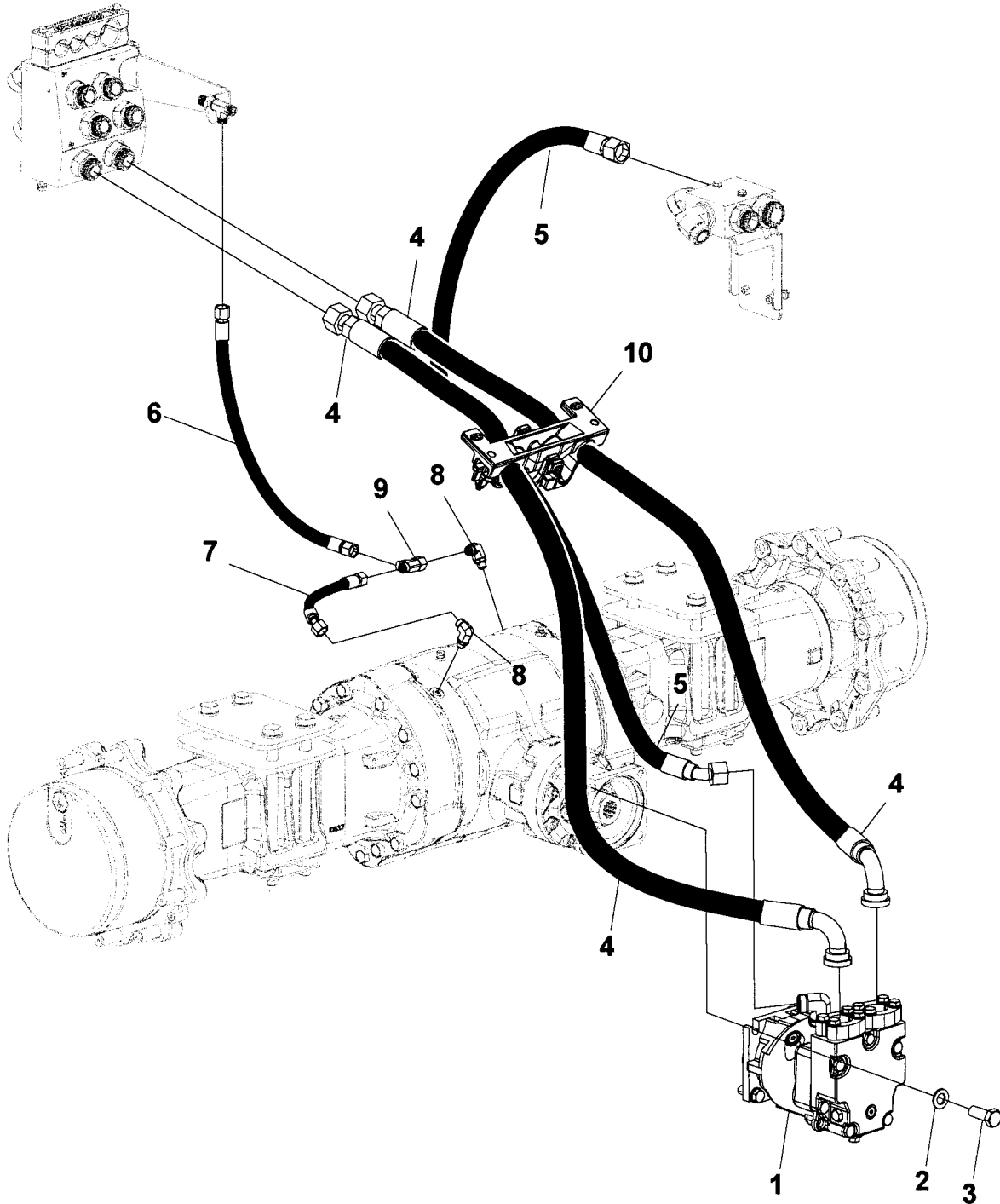


Refer to Parts Online for the most up to date information. The printed information might be outdated.

Wed Nov 14 15:03:09 UTC 2018

Item	Part No.	Name	Qty	L	SN INFO
1	-	Synch shaft assy	1		
2	-	Cylinder block assy	1		
3	4700902930	Bearing plate	1		
4	-	Set screw	1		
5	4700909525	Seal nut	1		
6	4700902996	Plastic cap, green	1		
7	-	Shaft assy, 13 tooth	1		
8	4700396601	Pulse sensor (6-pol)	1		
9	4812157057	O-ring	1		
10	-	Screw	1		
11	-	Housing	1		
12	4700945757	Shaft seal	1		
13	4812157078	Retaining ring	1		
14	-	Pin	2		
15	-	Shaft locating plug assy	1		
16	--	O-ring	1		
17	-	Plug assy	2		
18	--	O-ring	2		
19	4812157079	Gasket	1		

Hydraulic system, rear axle Dual speed Hydraulic system, rear axle Dual speed

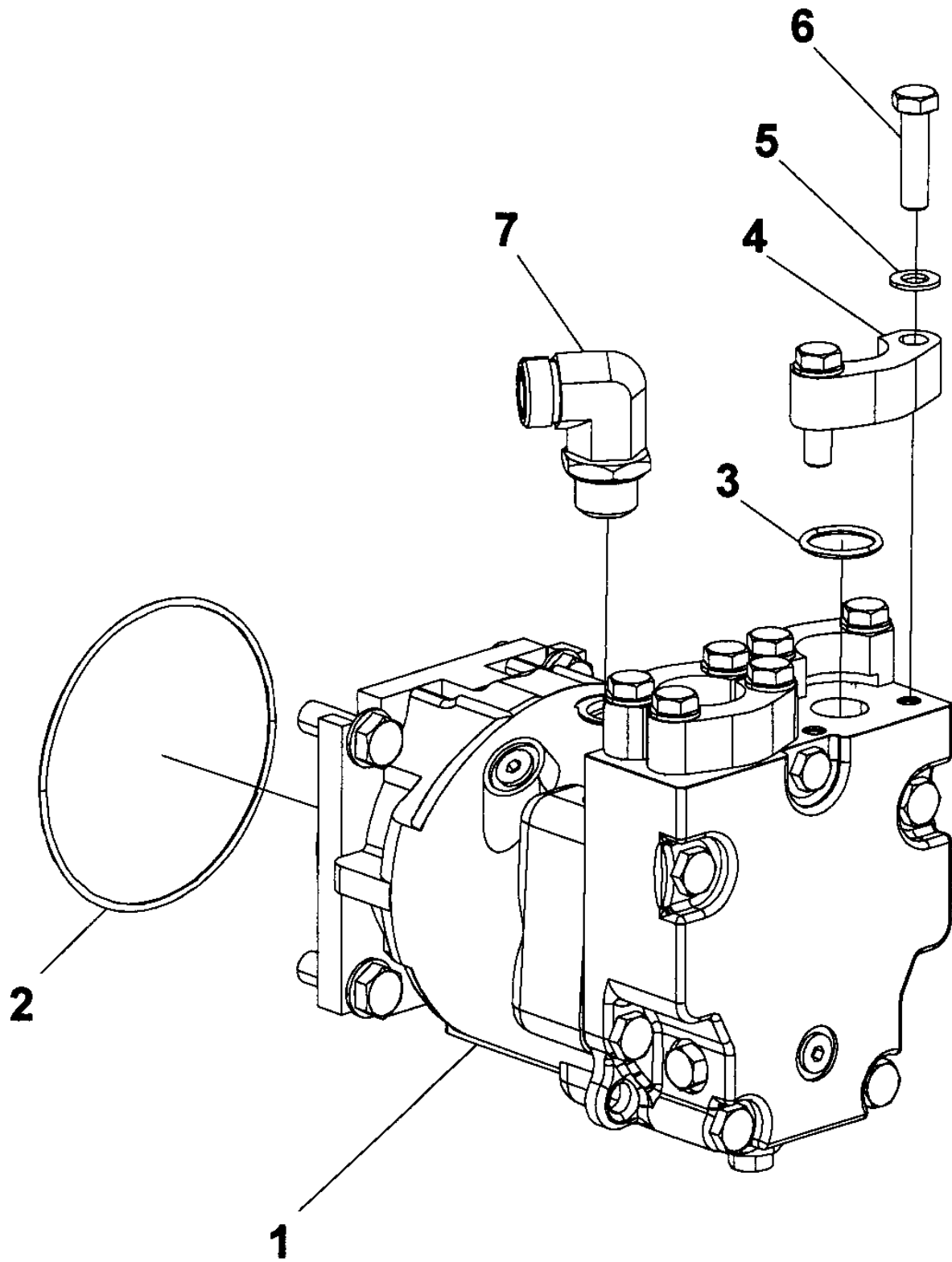


Refer to Parts Online for the most up to date information. The printed information might be outdated.

Wed Nov 14 15:03:09 UTC 2018

Item	Part No.	Name	Qty	L	SN INFO
1	-	Hydraulic motor, propulsion	1		
2	4700904703	Plain washer 13x24x4 mm	4		
3	4700500194	Hexagon head screw w Tuflok M12x40H 8.8 A3K	4		
4	4812127151	Hydraulic hose	2		
5	4811000230	Hydraulic hose	1		
6	4811000228	Hydraulic hose	1		
7	4812110229	Screw M12x50	1		
8	4700791846	Adapter	2		
9	4700791414	T-connection, O-ring with swivel	1		
10	-	Hose holder	1		

Hydraulic system, rear axle Dual speed Hydraulic motor

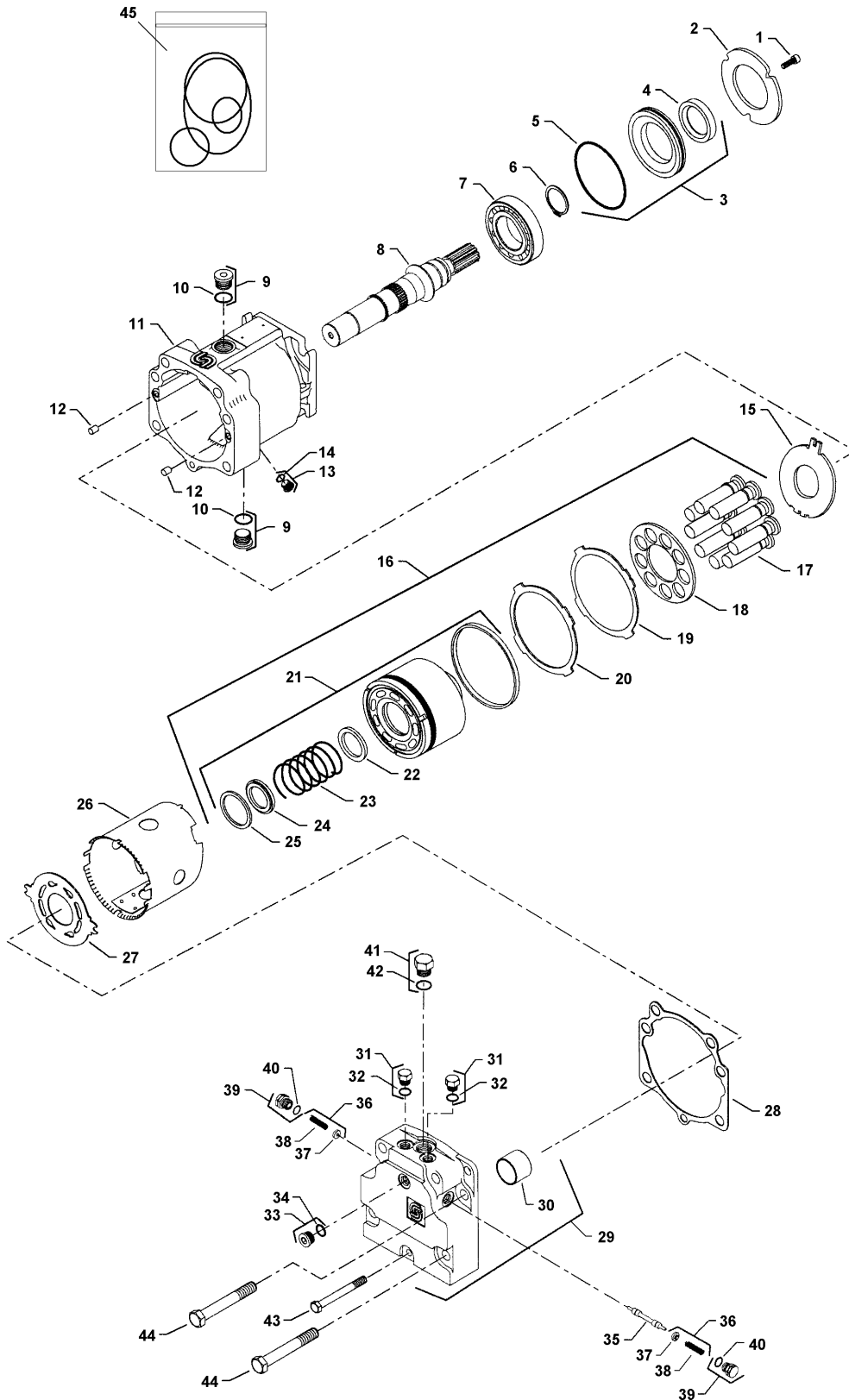


Refer to Parts Online for the most up to date information. The printed information might be outdated.

Wed Nov 14 15:03:09 UTC 2018

Item	Part No.	Name	Qty	L	SN INFO
1	4812112207	Axle motor	1		
2	4700160132	O-ring 70	1		
3	4700904005	O-ring	2		
4	4700923384	Split flange	4		
5	4700904638	Washer 12x22x2	8		
6	4700928791	Screw, M12x45	8		
7	4700791231	Adapter	1		

Hydraulic system, rear axle Dual speed 4812112207 Axle motor



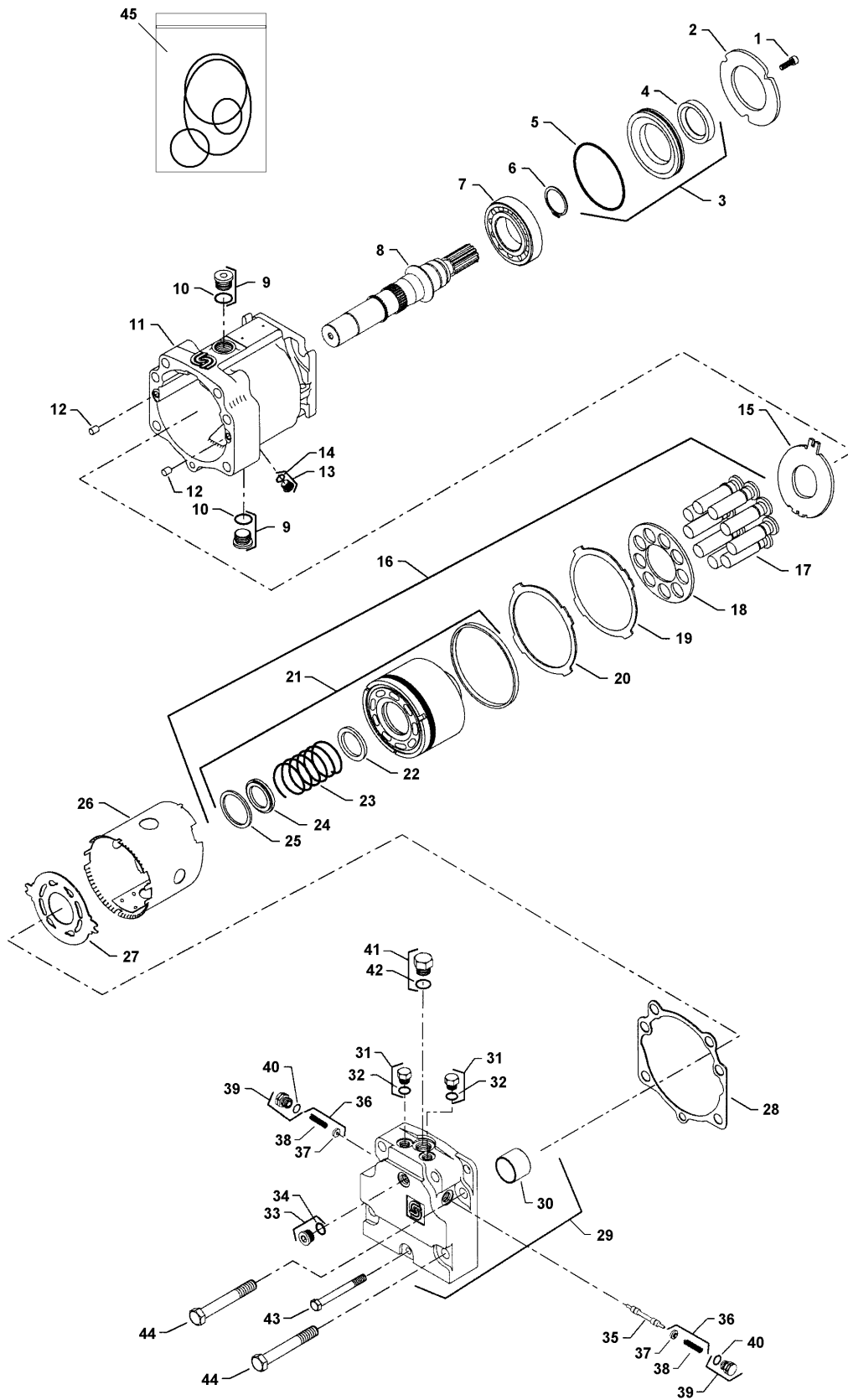
Refer to Parts Online for the most up to date information. The printed information might be outdated.

Wed Nov 14 15:03:10 UTC 2018

Item	Part No.	Name	Qty	L	SN INFO
-	4812112207	Axle motor	1		
1	-	Screw	3		
2	-	Retainer plate	1		
3	-	Seal assy	1		
4	4700901327	Lip seal	1		
5	4700935633	O-ring	1		
6	-	Retaining ring	1		
7	4700901465	Bearing	1		
8	4812158456	Shaft 14 tooth spline	1		
9	-	Plug assy	2		
10	--	O-ring	2		
11	-	Housing	1		
12	-	Pin	2		
13	-	Plug assy	1		
14	--	O-ring	1		
15	-	Thrust plate	1		
16	4812158454	Cylinder block kit	1		
17	--	Piston assy	9		
18	--	Slipper guide	1		
19	--	Slipper guide retainer	1		
20	--	Slipper guide retainer spacer	1		
21	--	Cylinder block assy	1		
22	---	Spring seat	1		
23	---	Cylinder block spring	1		
24	---	Spring retainer	1		
25	---	Retaining ring	1		
26	-	Hold down tube	1		
27	4700935626	Valve plate	1		
28	4812158453	End cap gasket	1		
29	-	End cap assy, twin ports	1		
30	4812158455	Journal bearing	1		
31	-	Plug assy	2		
32	--	O-ring	2		
33	-	Plug assy	1		
34	--	O-ring	1		
35	-	Loop flushing spool	1		
36	-	Spring guide assy	2		
37	--	Spring guide	2		

Refer to Parts Online for the most up to date information. The printed information might be outdated.

Wed Nov 14 15:03:10 UTC 2018

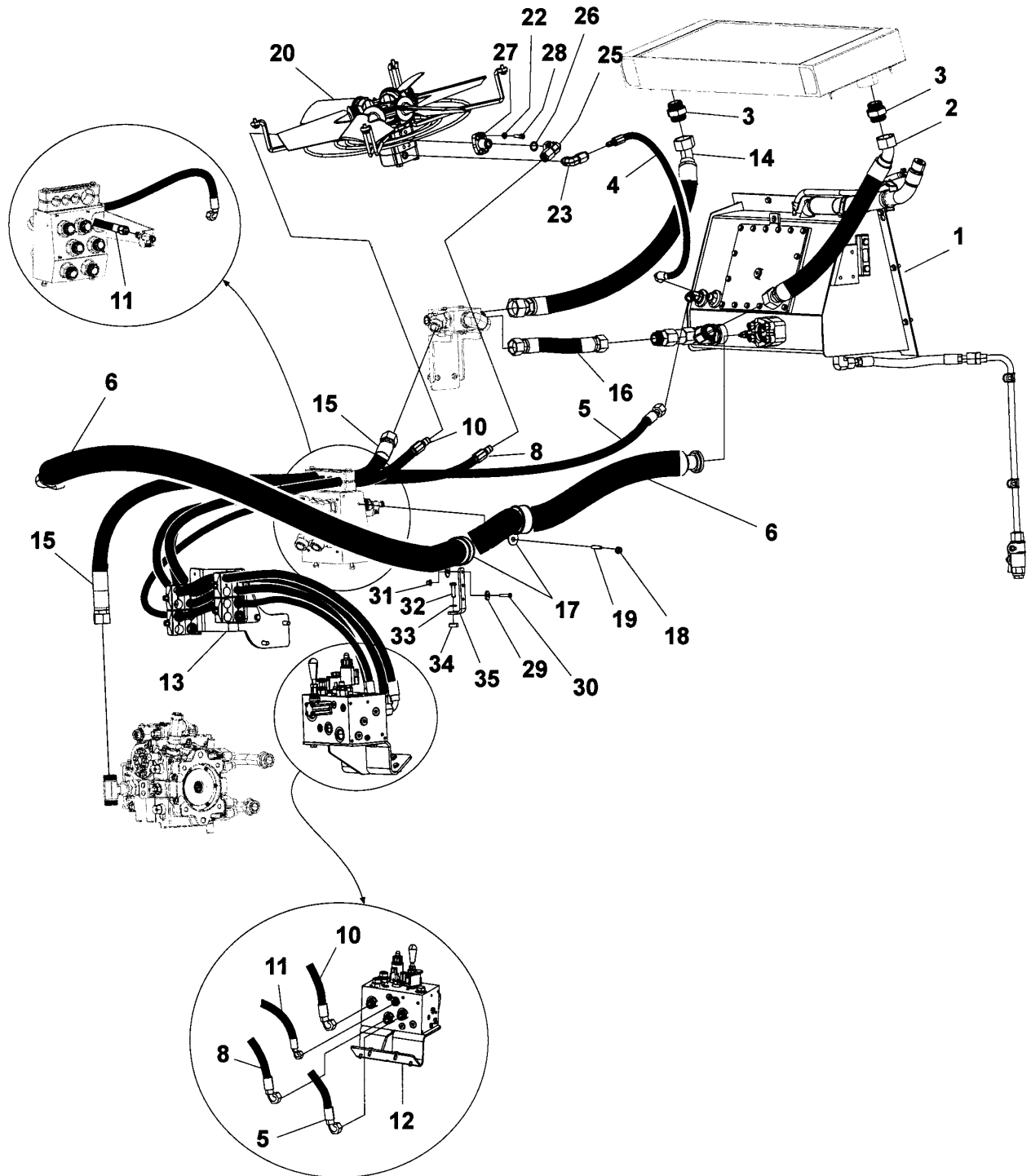


Refer to Parts Online for the most up to date information. The printed information might be outdated.

Wed Nov 14 15:03:10 UTC 2018

Item	Part No.	Name	Qty	L	SN INFO
38	--	Lock nut	2		
39	-	Plug assy	2		
40	4700923087	O-ring	2		
41	-	Plug assy	1		
42	--	O-ring	1		
43	-	Screw	1		
44	-	Screw	4		
45	4700937283	Seal kit	1		

Hydraulic system, oil tank Hydraulic system, oil tank

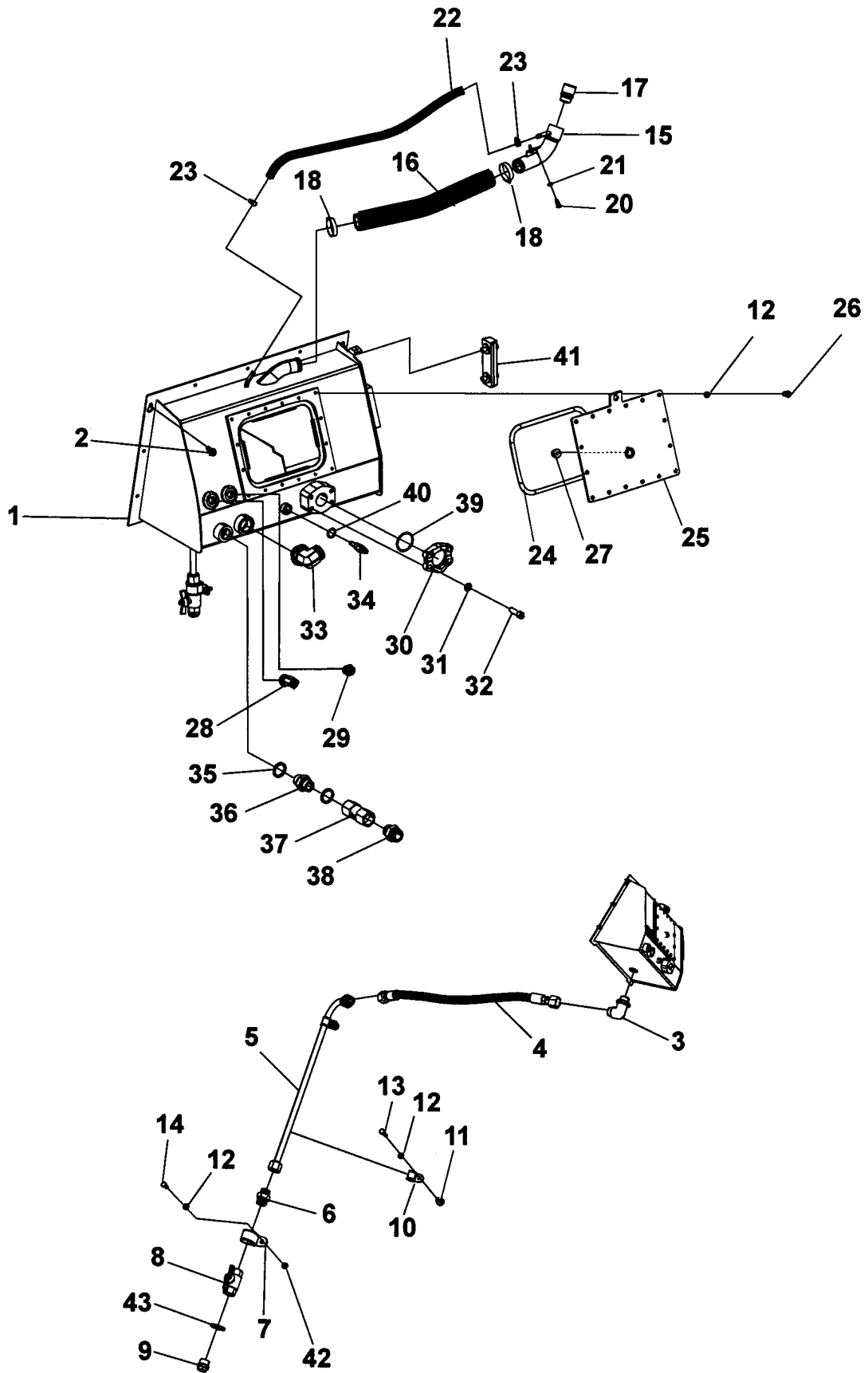


Refer to Parts Online for the most up to date information. The printed information might be outdated.

Wed Nov 14 15:03:11 UTC 2018

Item	Part No.	Name	Qty	L	SN INFO
1	-	Hydraulic oil tank assembly	1		
2	4811000197	Hydraulic hose	1		
3	4812112555	Adapter	2		
4	4812117445	Hydraulic hose upto	1		
5	4811000214	Hydraulic hose	1		
6	4811000411	Hydraulic hose	1		
8	4812117447	Hydraulic hose upto	1		
10	4812117446	Hydraulic hose upto	1		
11	4811000402	Hydraulic hose	1		
12	-	Hydraulic valve module	1		
13	-	Connector assy	1		
14	4811000400	Hydraulic hose	1		
15	4811000403	Hydraulic hose	1		
16	4811000199	Hydraulic hose	1		
17	4700903703	Clamp	2		
18	4700902286	Lock nut, M8x1.25 mm A2K	1		
19	4700903768	Threaded stud	1		
20	-	Fan module	1		
22	4700904229	Washer, 8.4x 6x1.5 mm 300HV	8		
23	4812117434	Connector upto	1		
25	4812115064	Elbow connector 90°	2		
26	4700904774	O-ring	2		
27	4812117732	Flange connector	2		
28	4700508048	Hexagon socket head cap screw M	8		
29	4700904735	Steel plain washer	1		
30	4700500075	Screw, M6-1,0x25 mm 8.8	1		
31	4700902285	Nut	1		
32	4700500022	Screw	1		
33	4700904229	Washer, 8.4x 6x1.5 mm 300HV	1		
34	4700388446	Spacer	1		
35	4812123044	Bracket	1		

Hydraulic system, oil tank Hydraulic oil tank assembly



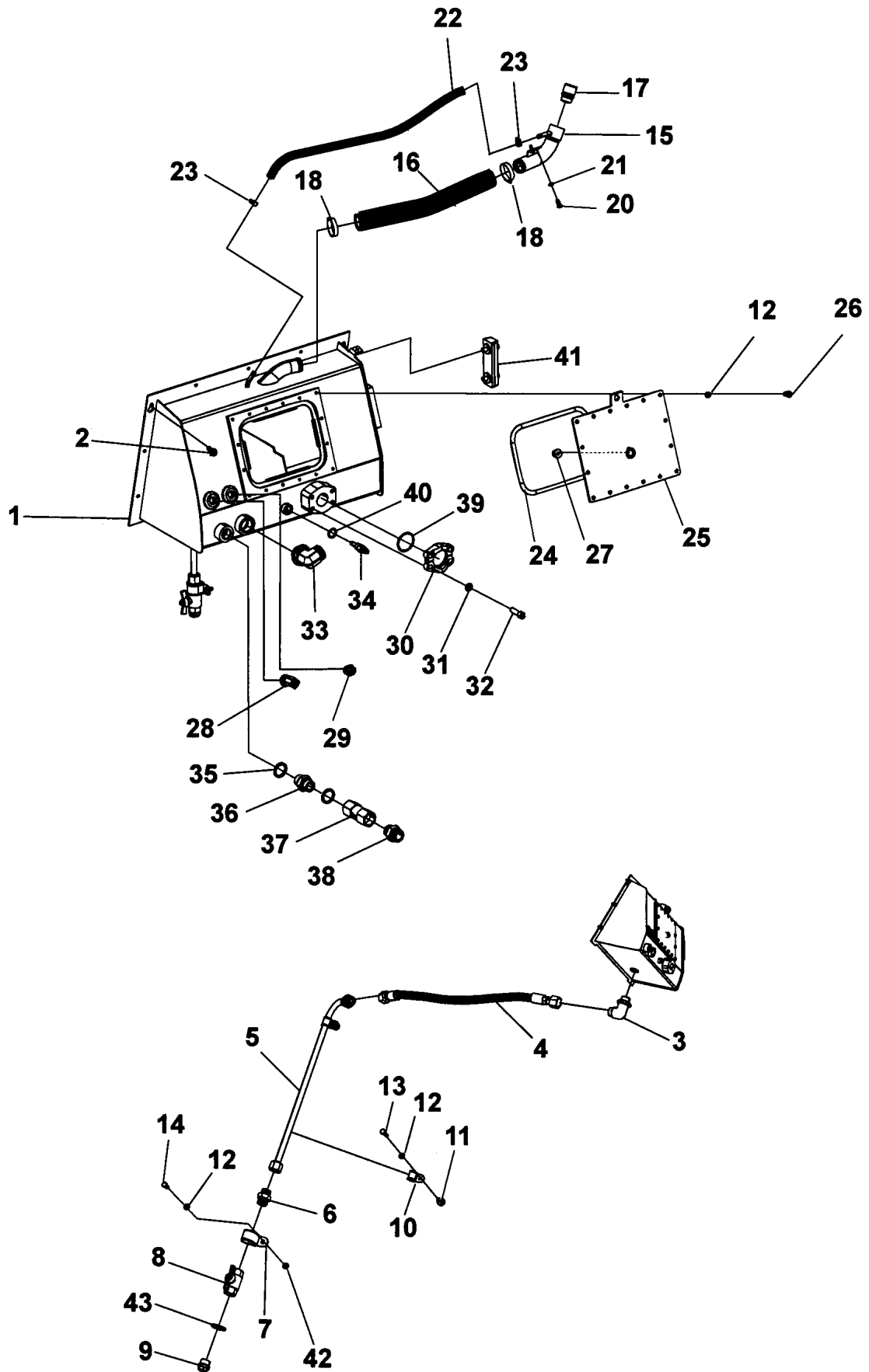
Refer to Parts Online for the most up to date information. The printed information might be outdated.

Wed Nov 14 15:03:11 UTC 2018

Item	Part No.	Name	Qty	L	SN INFO
1	4812118960	Hydraulic oil tank, cpl	1	A	
2	4700500505	Screw, M8x20 mm 8.8 A2K	9		
3	4700792068	Elbow 90°	1		
4	4811000202	Hydraulic hose	1		
5	4812114205	Hydraulic pipe	1		
6	0570702503	Straight connector	1		
7	4700923008	Clamp	1		
8	4700233304	Ball valve	1		
9	4700232039	Steel plug threaded	1		
10	4700904346	Clamp	2		
11	4700343748	Spacer sleeve	2		
12	4700904229	Washer, 8.4x 6x1.5 mm 300HV	19	D	
13	4700500022	Screw	2		
14	4700500053	Screw, M8x20 mm 8.8 A2K	1		
15	4812112648	Pipe assembly	1		
16	4812116645	Rubber hose	1		
17	4700357138	Ventilating filter	1		
18	4700313009	Hose clamp	2		
20	4700500013	Screw, M6x16 mm 8.8 A2K	2		
21	4700904228	Washer 6,4x12x1,5	2		
22	4700904985	Fuel hose, fire-resistant	1XL	B	
23	4700313001	Hose clamp, 11-18 x 9 mm	2		
24	4700390926	O-ring	1	C	
25	4812118961	Cover	1	C	
26	4700500019	Hexagon screw	16	C	
27	4700792295	Steel plug	1	C	
28	4700792809	Elbow 90 orfs	1		
29	4700791405	Straight o-ring connector	1		
30	4700232118	Flange	2		
31	4700904638	Washer 12x22x2	4		
32	4700508063	Screw, M12x40 mm 8.8	4		
33	4812112556	Connector elbow 90 orfs	1		
34	4700792276	Temperature sensor	1		
35	4700162008	Seal washer	2		
36	4700792264	Straight connector	1		
37	4700374059	Check valve	1		
38	4700792338	Adapter	1		
39	4700160191	O-ring	1		

Refer to Parts Online for the most up to date information. The printed information might be outdated.

Wed Nov 14 15:03:11 UTC 2018



Refer to Parts Online for the most up to date information. The printed information might be outdated.

Wed Nov 14 15:03:11 UTC 2018

Item	Part No.	Name	Qty	L	SN INFO
40	4700330331	Washer 18,2x23,9x1,5	1		
41	4700989151	Oil level glass	1		
42	4700904556	Steel plain washer 8,4x16x3,0	1		
43	4700791120	Washer sealing	1		

Comments for Page: Hydraulic oil tank assembly

(L)OCAL REMARKS

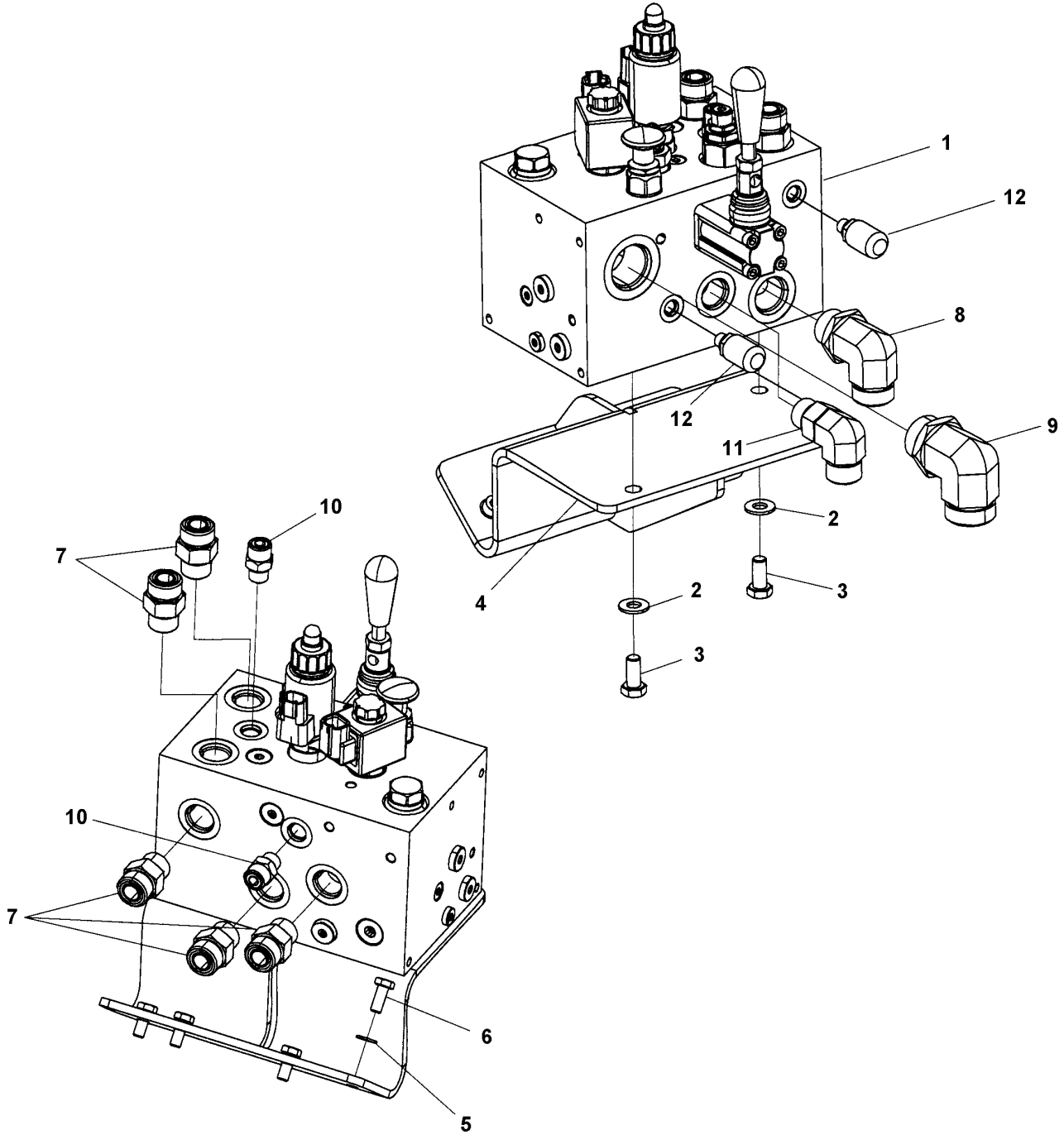
A | en_US | Includes item 24, 25, 26, 27 and 12 (16 pcs).

B | en_US | L=0.68m

C | en_US | Part of item 1.

D | en_US | 16 pcs part of item 1.

Hydraulic system, oil tank Hydraulic valve module

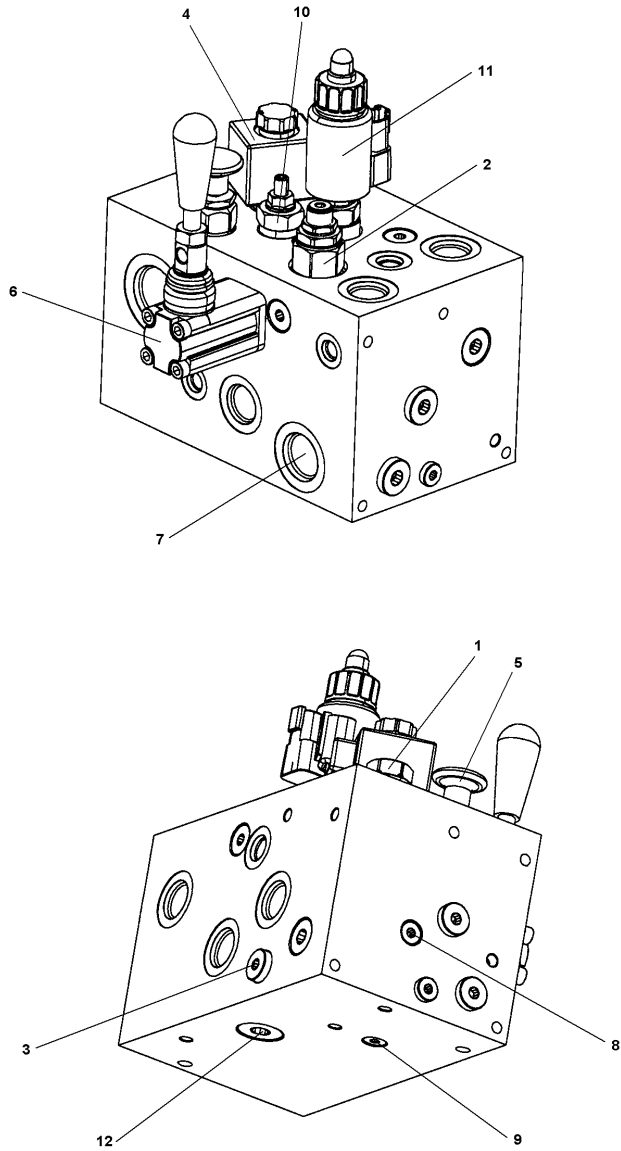


Refer to Parts Online for the most up to date information. The printed information might be outdated.

Wed Nov 14 15:03:12 UTC 2018

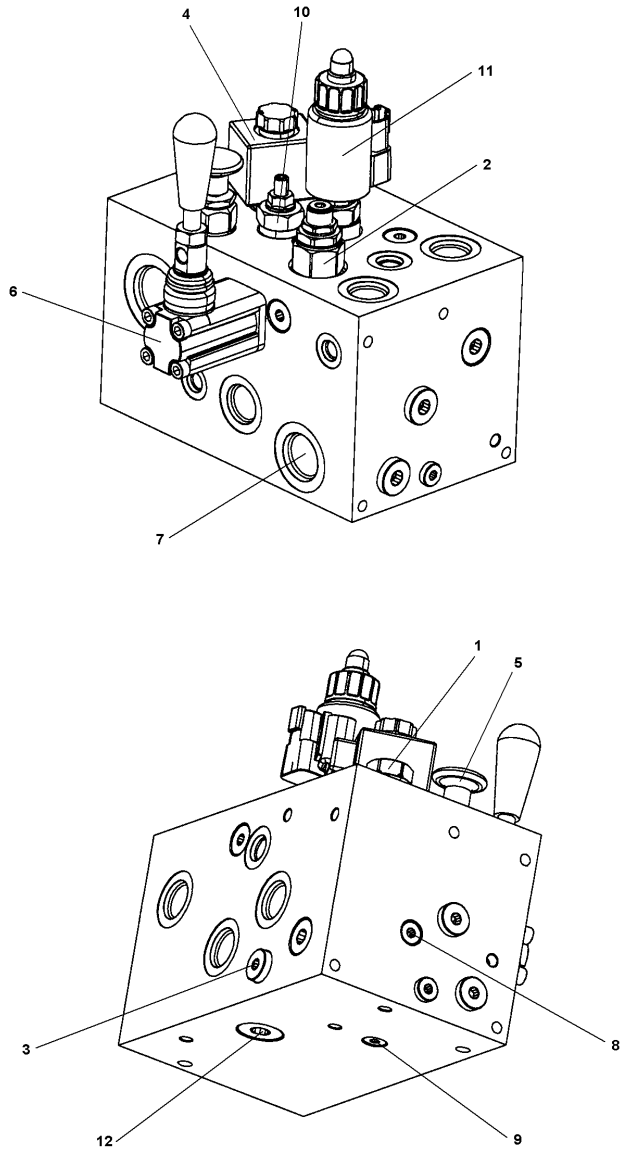
Item	Part No.	Name	Qty	L	SN INFO
1	4812112238	Hydraulic valve	1		To A016753 excl. 16659, 16726, 16727
1	4812120840	Hydraulic valve	1		From A016754 incl. 16659, 16726, 16727
2	4700904230	Steel plain washer	2		
3	4700500027	Screw M10-1,55x22 8.8	2		
4	4812114434	Bracket	1		
5	4700904229	Washer, 8.4x 6x1.5 mm 300HV	4		
6	4700508092	Screw	4		
7	4700791743	Straight connector orfs	5		
8	4700791231	Adapter	1		
9	4700792299	Adapter	1		
10	4700791409	Straight connector orfs	2		
11	4700791843	Elbow 90, O-ring with swivel	1		
12	4700910162	Measuring nipple	2		

Hydraulic system, oil tank 4812120840 Hydraulic valve



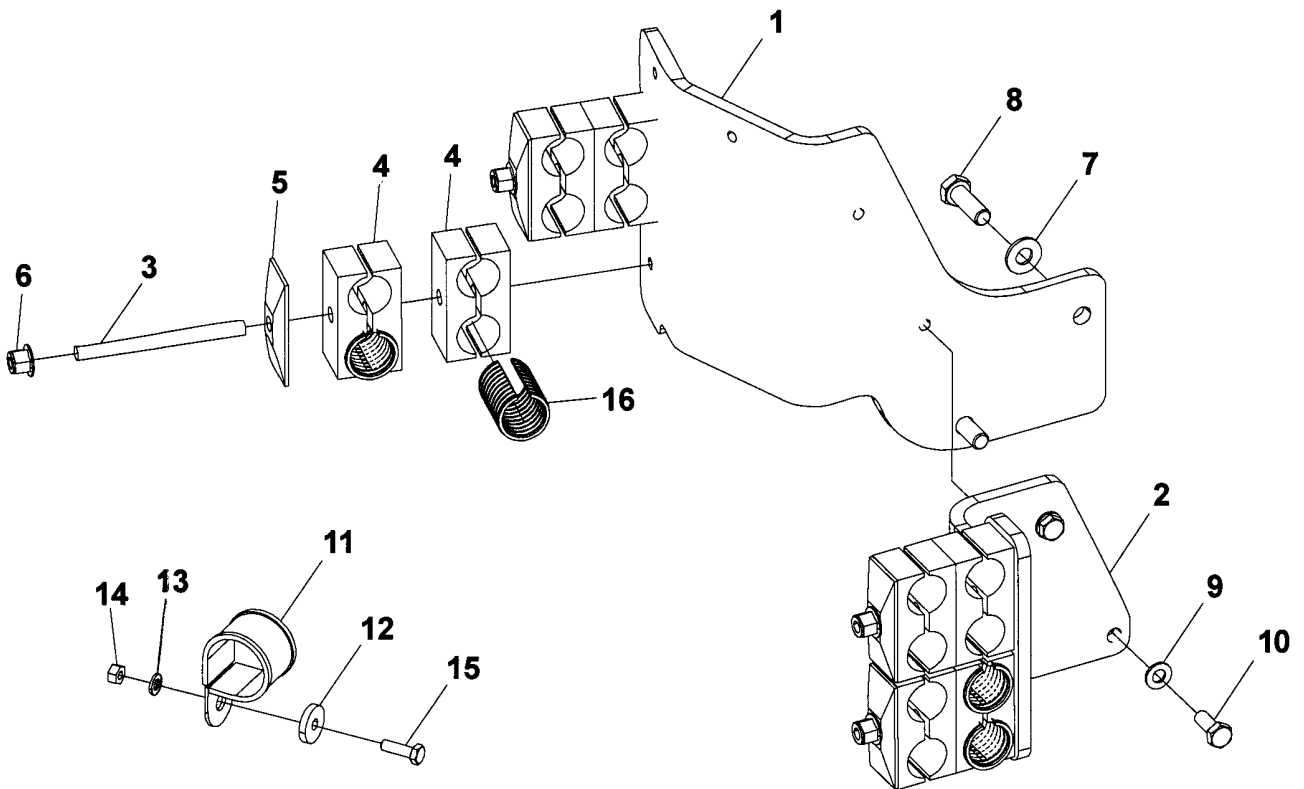
Item	Part No.	Name	Qty	L	SN INFO
0	4812120840	Hydraulic valve	1		
1	4812157654	Pressure compensator	1		
2	-	Pressure relief valve	1		
3	4812157681	Shuttle valve	1		
4	4812157770	Electric 3/2 valve	1		
4	4812157771	Coil	1		
5	4812157682	2/2 Valve	1		
6	4812157772	Hand pump	1		
6	4812157773	Kit manual lever	1		
7	-	Orifice	1		
8	4812157684	Orifice	1		
9	4812157685	Orifice	1		
10	4812157686	Brake pressure relief valve	1		
11	4812157687	Proportional pressure relief valve	1		
11	4812160654	Coil	1		
12	-	Check valve	1		

Hydraulic system, oil tank 4812112238 Hydraulic valve



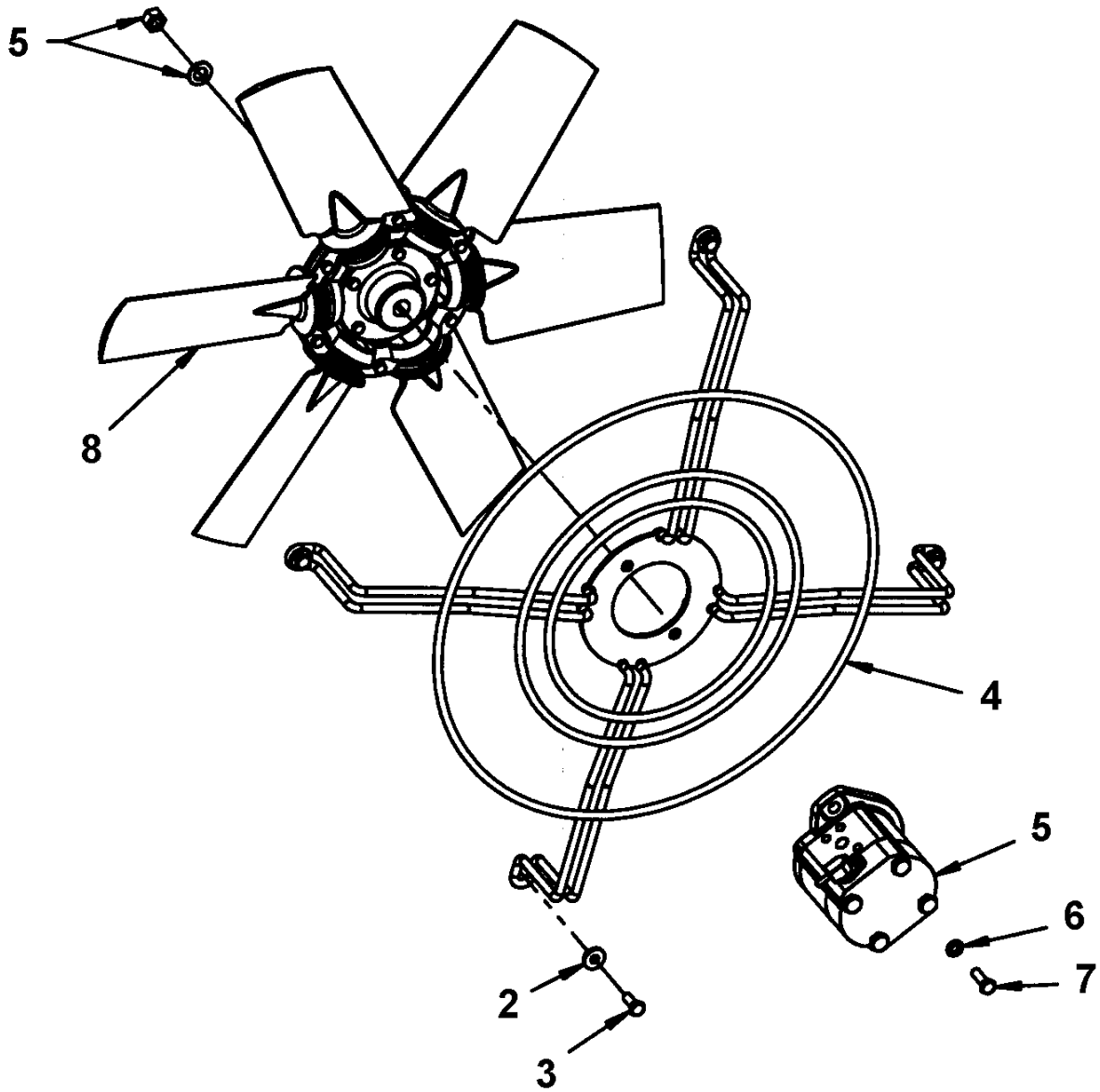
Item	Part No.	Name	Qty	L	SN INFO
0	4812112238	Hydraulic valve	1		
1	4812157654	Pressure compensator	1		
2	4812157655	Pressure relief valve	1		
3	4812157681	Shuttle valve	1		
4	4812157770	Electric 3/2 valve	1		
4	4812157771	Coil	1		
5	4812157682	2/2 Valve	1		
6	4812157772	Hand pump	1		
6	4812157773	Kit manual lever	1		
7	4812157683	Orifice	1		
8	4812157684	Orifice	1		
9	4812157685	Orifice	1		
10	4812157686	Brake pressure relief valve	1		
11	4812157687	Proportional pressure relief valve	1		
11	4812160654	Coil	1		
12	4812157688	Check valve	1		

Hydraulic system, oil tank Connector assy



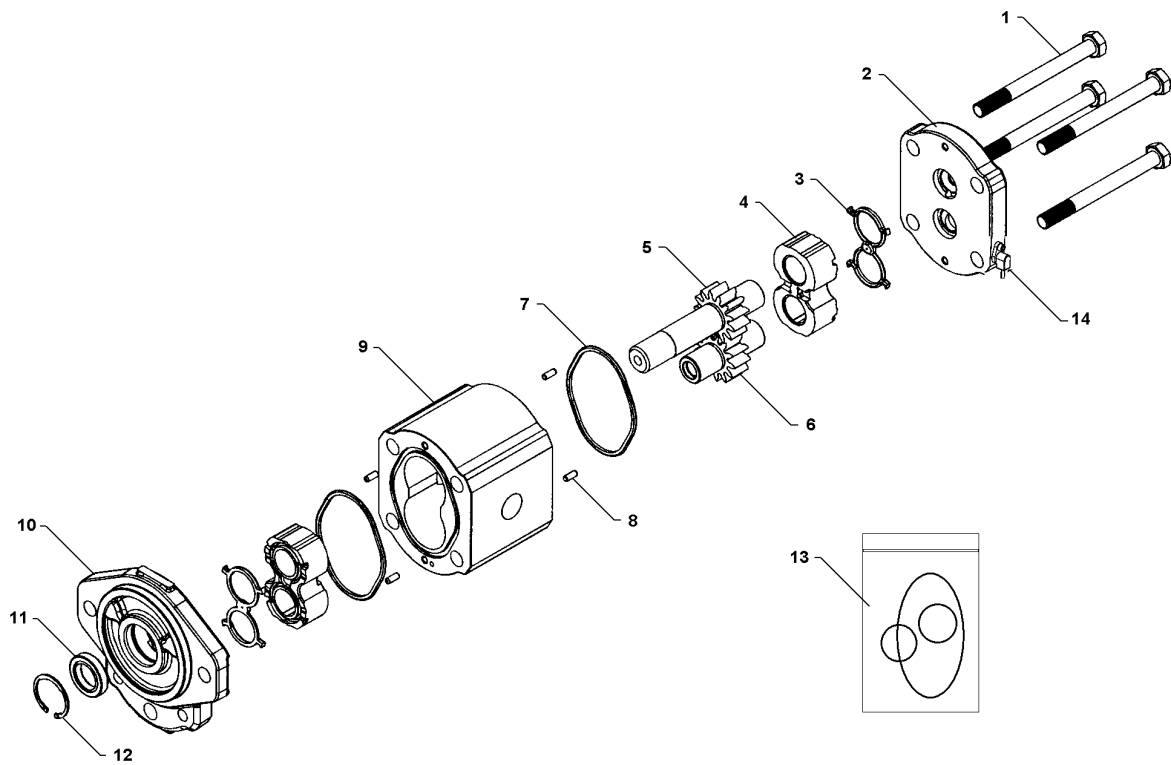
Item	Part No.	Name	Qty	L	SN INFO
1	4812113237	Bracket	1		
2	4812113338	Bracket	1		
3	4700791807	Stud	4		
4	4700287295	Clamp	8		
5	4700904872	Cover plate	4		
6	4700902286	Lock nut, M8x1.25 mm A2K	4		
7	4700904230	Steel plain washer	2		
8	4700500029	Steel plain washer	2		
9	4700904229	Washer, 8.4x 6x1.5 mm 300HV	2		
10	4700500053	Screw, M8x20 mm 8.8 A2K	2		
11	4700923008	Clamp	1		
12	4700904735	Steel plain washer	1		
13	4700904228	Washer 6,4x12x1,5	1		
14	4700570004	Hexagon nut M6	1		
15	4700500040	Screw, M6x20 mm 8.8 A2K	1		
16	4812113941	Hose holder clip	4		

Hydraulic system, oil tank Fan module



Item	Part No.	Name	Qty	L	SN INFO
2	4700904640	Washer, 8.4x22x3 mm 300HV	4		
3	4700500053	Screw, M8x20 mm 8.8 A2K	4		
4	4812113678	Bracket	1		
5	4812117796	Hydraulic motor	1		To A019521
5	4812121764	Hydraulic motor	1		From A019522
6	4700904229	Washer, 8.4x 6x1.5 mm 300HV	2		
7	4700500021	Screw, M8x25 mm 8.8 A2K	2		
8	4812113679	Fan	1		

Hydraulic system, oil tank 4812117796 Hydraulic motor



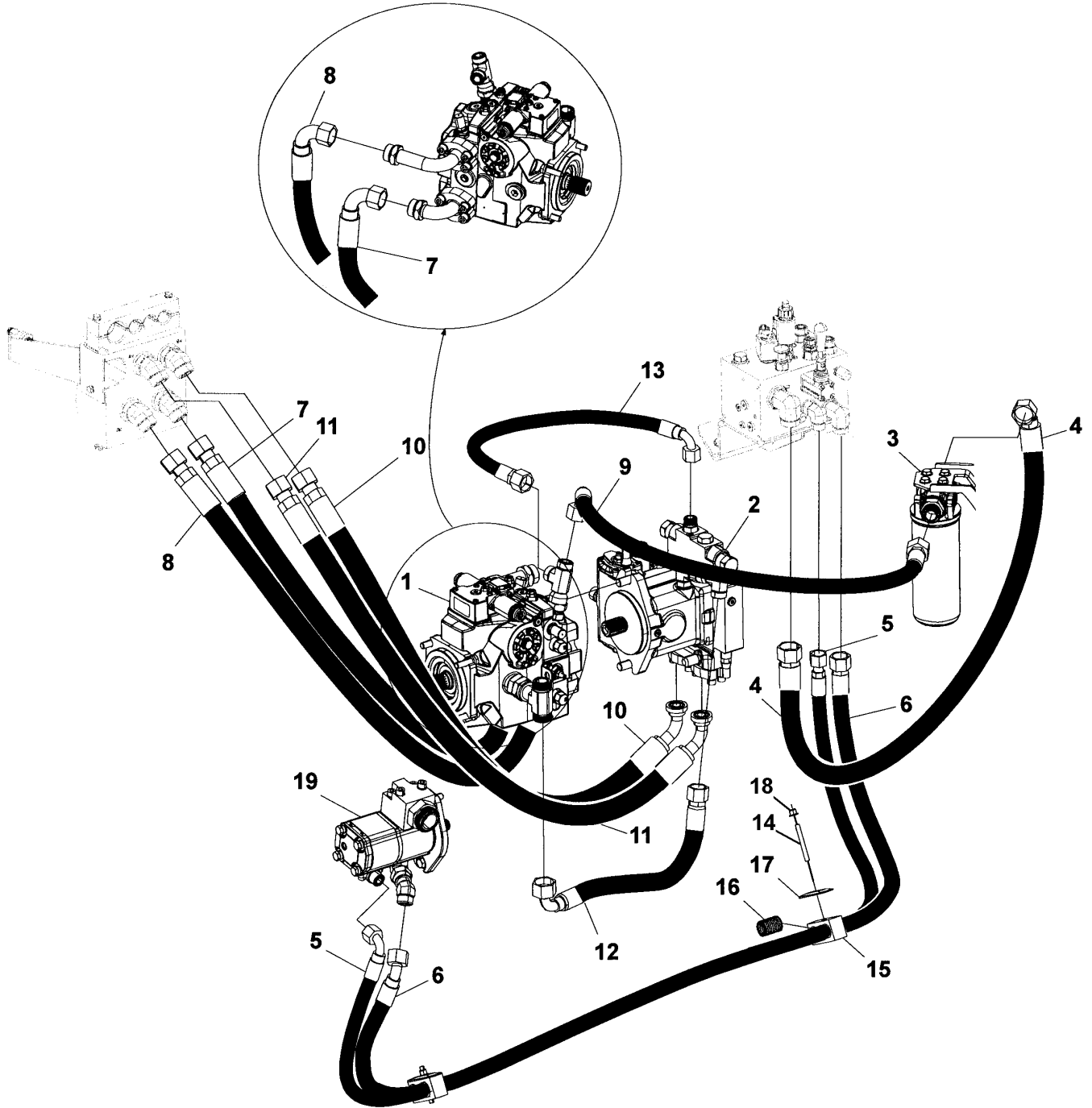
Item	Part No.	Name	Qty	L	SN INFO
-	4812117796	Hydraulic motor	1		
1	--	Screw	4		
2	--	End cover	1		
3	--	Seal	2	A	
4	--	Bearing block	2		
5	--	Drive gear	1		
6	--	Idler gear	1		
7	--	Shaft seal	2	A	
8	--	Dowel pin	4		
9	--	Gear housing	1		
10	--	Mounting flange	1		
11	--	Shaft seal	1	A	
12	--	Snap ring	1		
13	4700903431	Seal kit	1		
14	4812159763	Sensor w cable	1		

Comments for Page: 4812117796 Hydraulic motor

(L)OCAL REMARKS

A | en_US | Included in seal kit.

Hydraulic system, engine room Hydraulic system, engine room

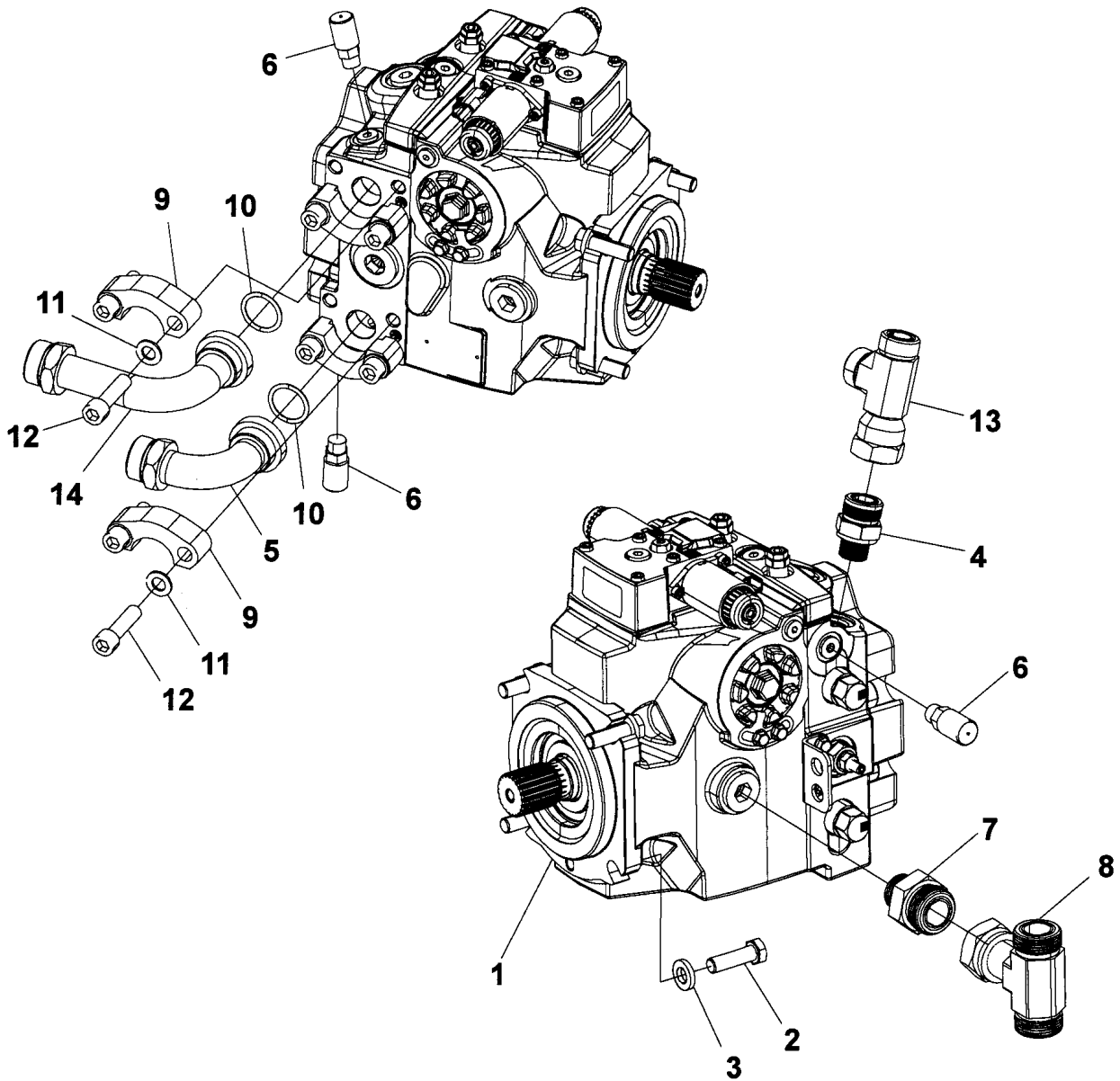


Refer to Parts Online for the most up to date information. The printed information might be outdated.

Wed Nov 14 15:03:13 UTC 2018

Item	Part No.	Name	Qty	L	SN INFO
1	-	Hydraulic pump module	1		
2	-	Hydraulic pump module	1		
3	-	Hydraulic oil filter assy	1		
4	4811000212	Hydraulic hose	1		
5	4811000412	Hydraulic hose	1		
6	4811000410	Hydraulic hose	1		
7	4812127149	Bracket	1		
8	4812127150	Hydraulic hose	1		
9	4812114516	Hydraulic hose	1		
10	4812127101	Hydraulic hose	1		
11	4812127102	Hydraulic hose	1		
12	4812114519	Hydraulic hose	1		
13	4812117324	Hydraulic hose	1		
14	4700791805	Stud	2		
15	4700791711	Pipe clamp	2		
16	4812113941	Hose holder clip	2		
17	4700791712	Cover plate	2		
18	4700902286	Lock nut, M8x1.25 mm A2K	2		
19	-	Hydraulic pump module	1		

Hydraulic system, engine room Hydraulic pump module

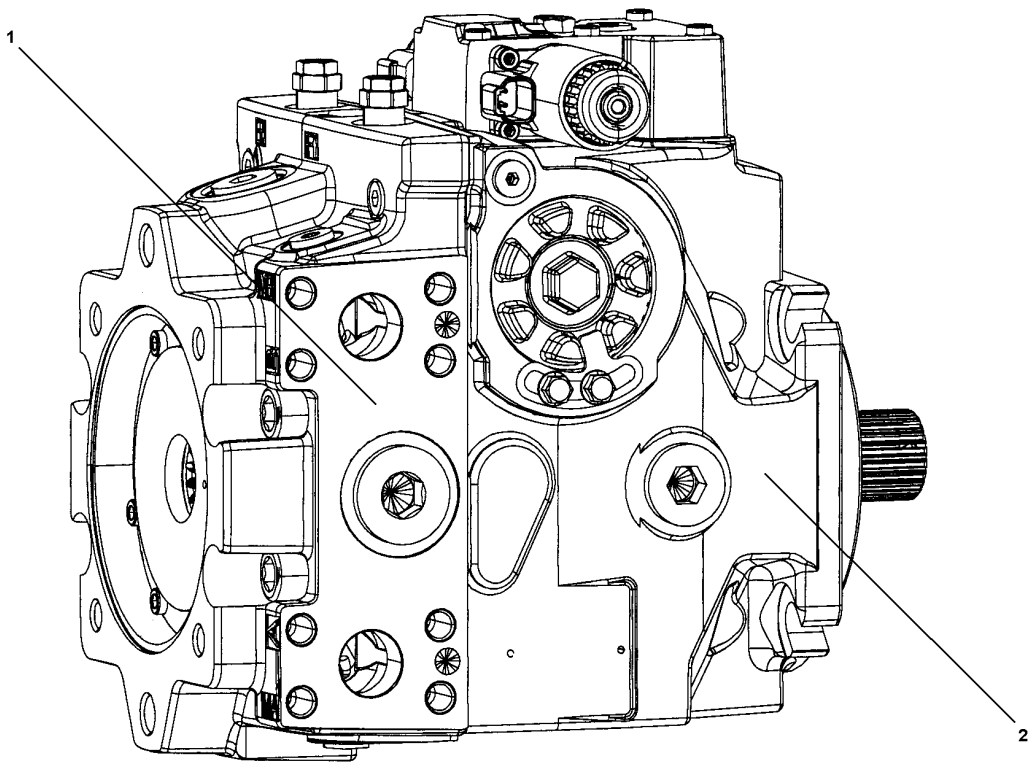


Refer to Parts Online for the most up to date information. The printed information might be outdated.

Wed Nov 14 15:03:14 UTC 2018

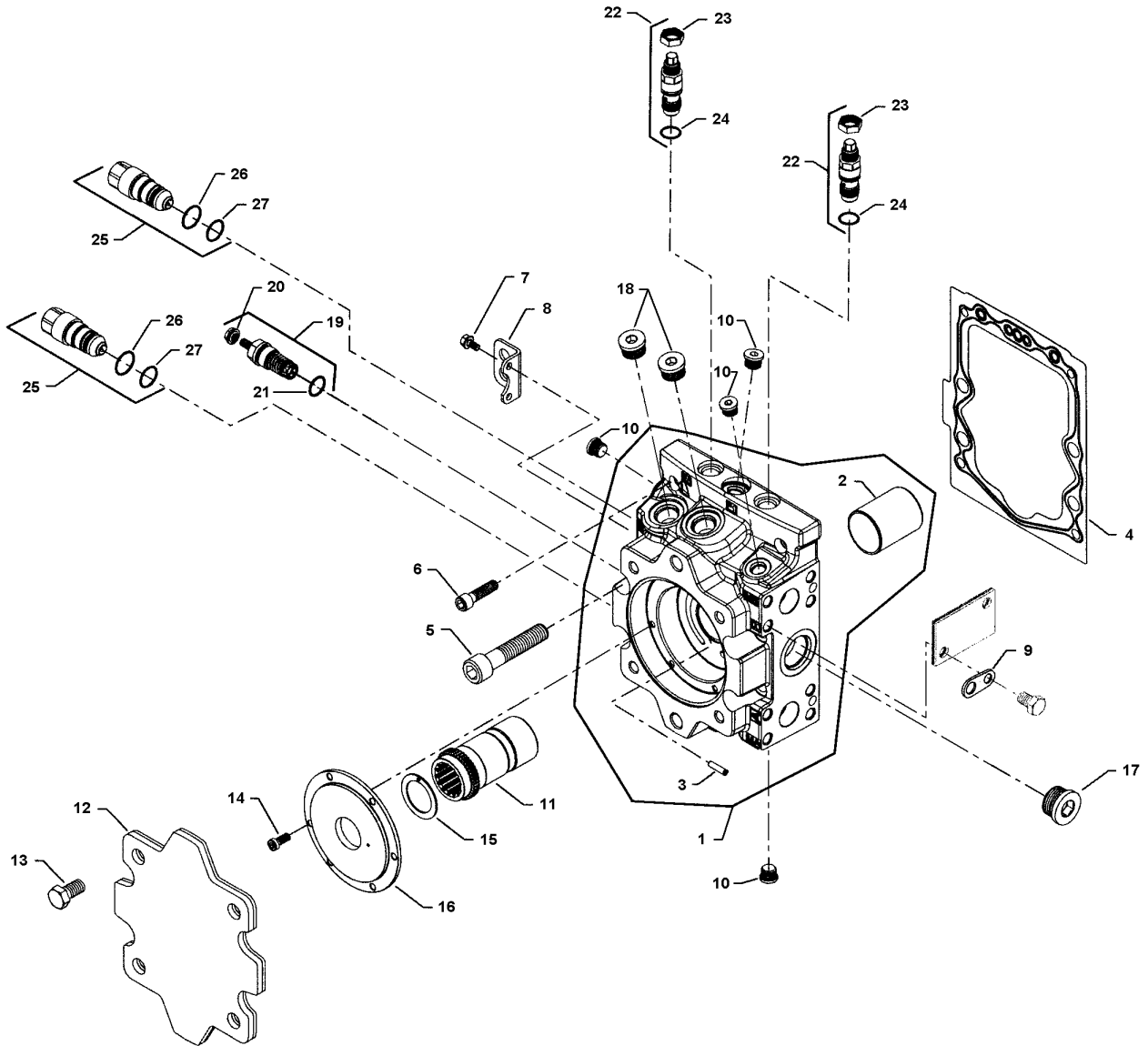
Item	Part No.	Name	Qty	L	SN INFO
1	4812112170	Hydraulic pump, propul pump	1		
2	4700500037	Hex. screw	4		
3	4700904703	Plain washer 13x24x4 mm	4		
4	4812115051	Straight connector orfs	1		
5	4700791213	Flange fitting 90	1		
6	4700900229	Measuring fitting	3		
7	4812112560	Straight connector orfs	1		
8	4812112561	T-adapter	1		
9	4700923384	Split flange	4		
10	4700904005	O-ring	2		
11	4700904638	Washer 12x22x2	8		
12	4700928791	Screw, M12x45	8		
13	4700904496	Adapter	1		
14	4812115965	Flange fitting 90	1		

4812112170 Hydraulic pump, propul pump 4812112170 Hydraulic pump, propul pump



Item	Part No.	Name	Qty	L	SN INFO
0	-	Hydraulic pump, Cpl	1		
1	-	Front section	1		
2	-	Rear section	1		
3	4812158362	Seal kit, cpl	1		

4812112170 Hydraulic pump, propul pump Front section

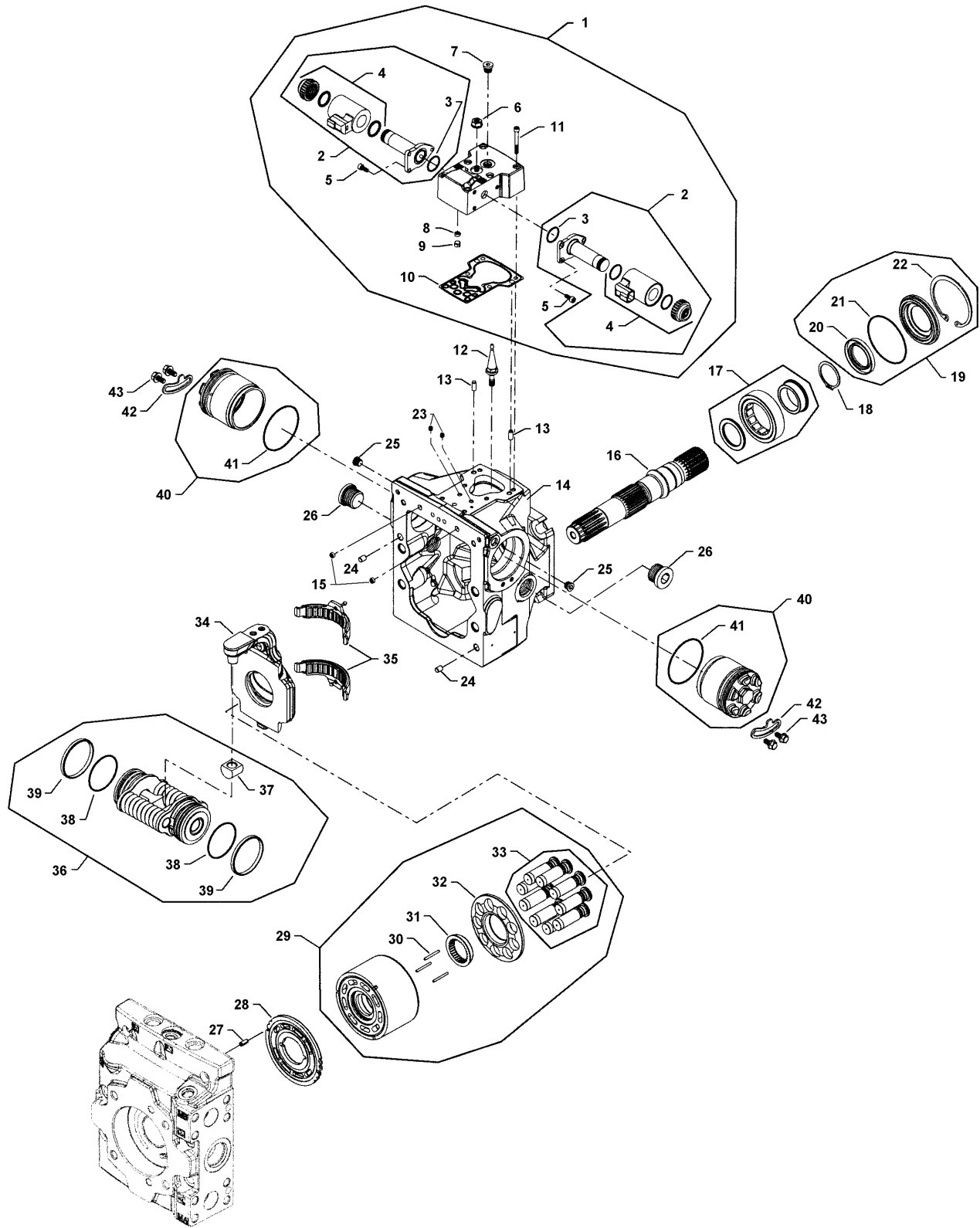


Refer to Parts Online for the most up to date information. The printed information might be outdated.

Wed Nov 14 15:03:14 UTC 2018

Item	Part No.	Name	Qty	L	SN INFO
1	-	End cap assy	1		
2	4812158353	Bearing journal	1		
3	-	Pin	1		
4	4812158352	End cap gasket	1		
5	-	Screw	4		
6	-	Screw	2		
7	-	Screw	2		
8	-	Lifting bracket	1		
9	-	Lifting bracket	1		
10	-	Plug assy	4		
11	4812158356	Coupling, 14 tooth	1		
12	-	Flange cover	1		
13	-	Screw	4		
14	-	Screw	6		
15	4812157383	Thrust washer	1		
16	-	Charge pump cover	1		
17	-	Plug assy	1		
18	-	Plug assy	2		
19	4812158361	Charge relief valve kit	1		
20	4700908774	Sealing nut	1		
21	D902899008	O-ring	1		
22	4812158360	Pressure limiter kit	2		
23	4812158358	Nut	2		
24	4812158357	O-ring	2		
25	4812158359	High pressure relief valve, towing valve	2		
26	4812159460	O-ring	2		
27	4812159461	O-ring	2		
5	-	Screw	4		

4812112170 Hydraulic pump, propul pump Rear section



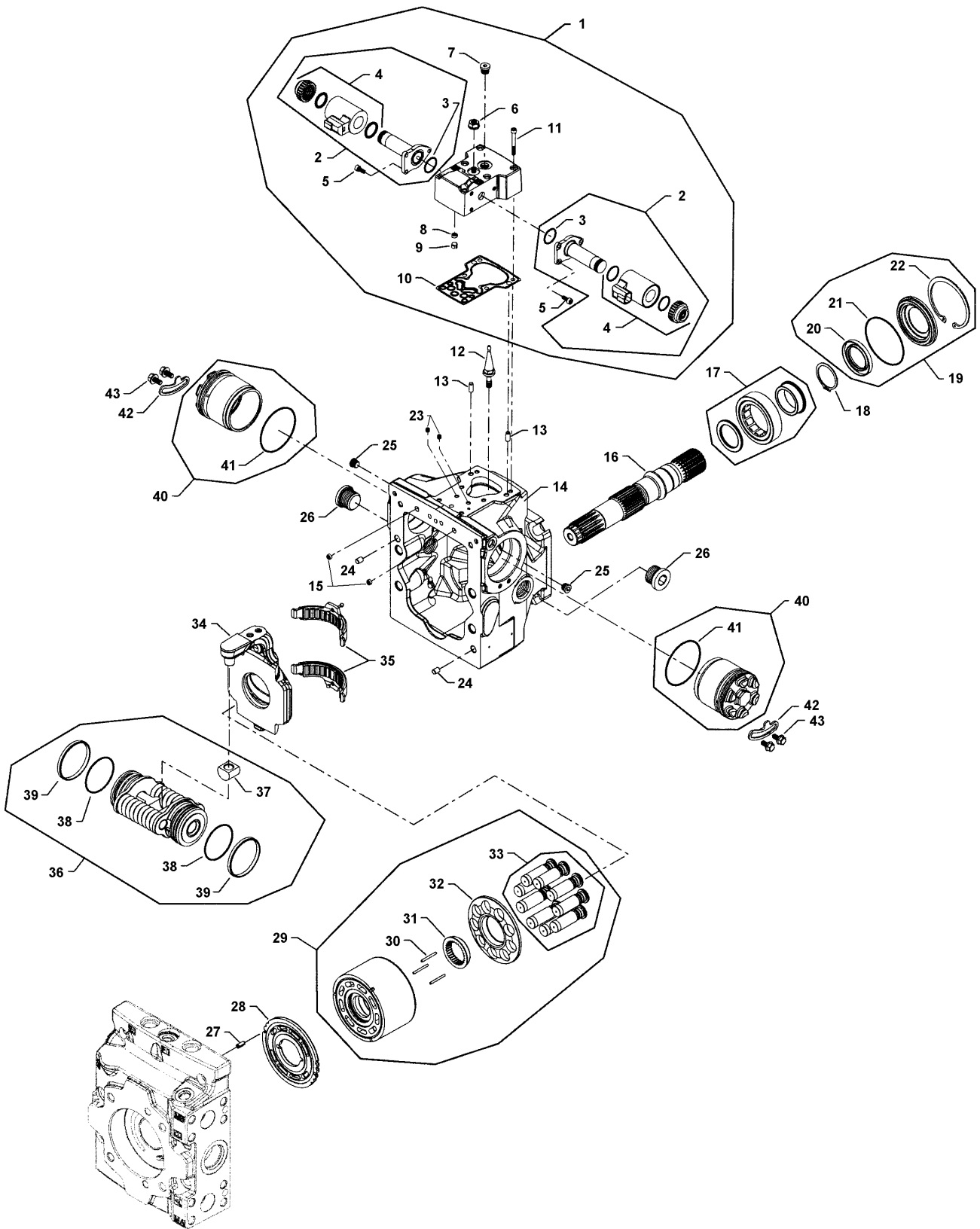
Refer to Parts Online for the most up to date information. The printed information might be outdated.

Wed Nov 14 15:03:15 UTC 2018

Item	Part No.	Name	Qty	L	SN INFO
1	4812157369	Control unit kit	1		
2	4812157370	Solenoid	2		
3	4812157371	O-ring	2		
4	4812157372	Coil kit 24V	2		
5	--	Screw	6		
6	--	Seal nut	1		
7	--	Plug	1		
8	--	Screen	1		
9	--	Locking ring	1		
10	4812157373	Control gasket	1		
11	--	Screw	6		
12	-	Swashplate feedback link	1		
13	-	Dowel pin	2		
14	-	Housing	1		
15	-	Screen	2		
16	4812158354	Shaft, 21 tooth spline	1		
17	4812158364	Roller bearing	1		
18	4700901727	Snap ring	2		
19	4812158355	Shaft seal kit	1		
20	--	Lip seal	1		
21	--	O-ring	1		
22	--	Retaining ring	1		
23	4812157376	Orifice 1.3, M6x0.75mm	2		
24	-	Dowel pin	2		
25	-	Plug assy	2		
26	-	Plug assy	2		
27	-	Valve plate pin	1		
28	-	Valve plate	1		
29	4812158299	Cylinder block kit	1		
30	--	Slipper hold down pin	1		
31	--	Slipper retainer guide	1		
32	--	Slipper retainer	1		
33	--	Slipper / piston kit	1		
34	4812158297	Swashplate	1		
35	4812158298	Swashplate bearing kit	1		
36	-	Servo piston assy	1		
37	4812157374	Slider block	1		
38	--	O-ring	2		

Refer to Parts Online for the most up to date information. The printed information might be outdated.

Wed Nov 14 15:03:15 UTC 2018

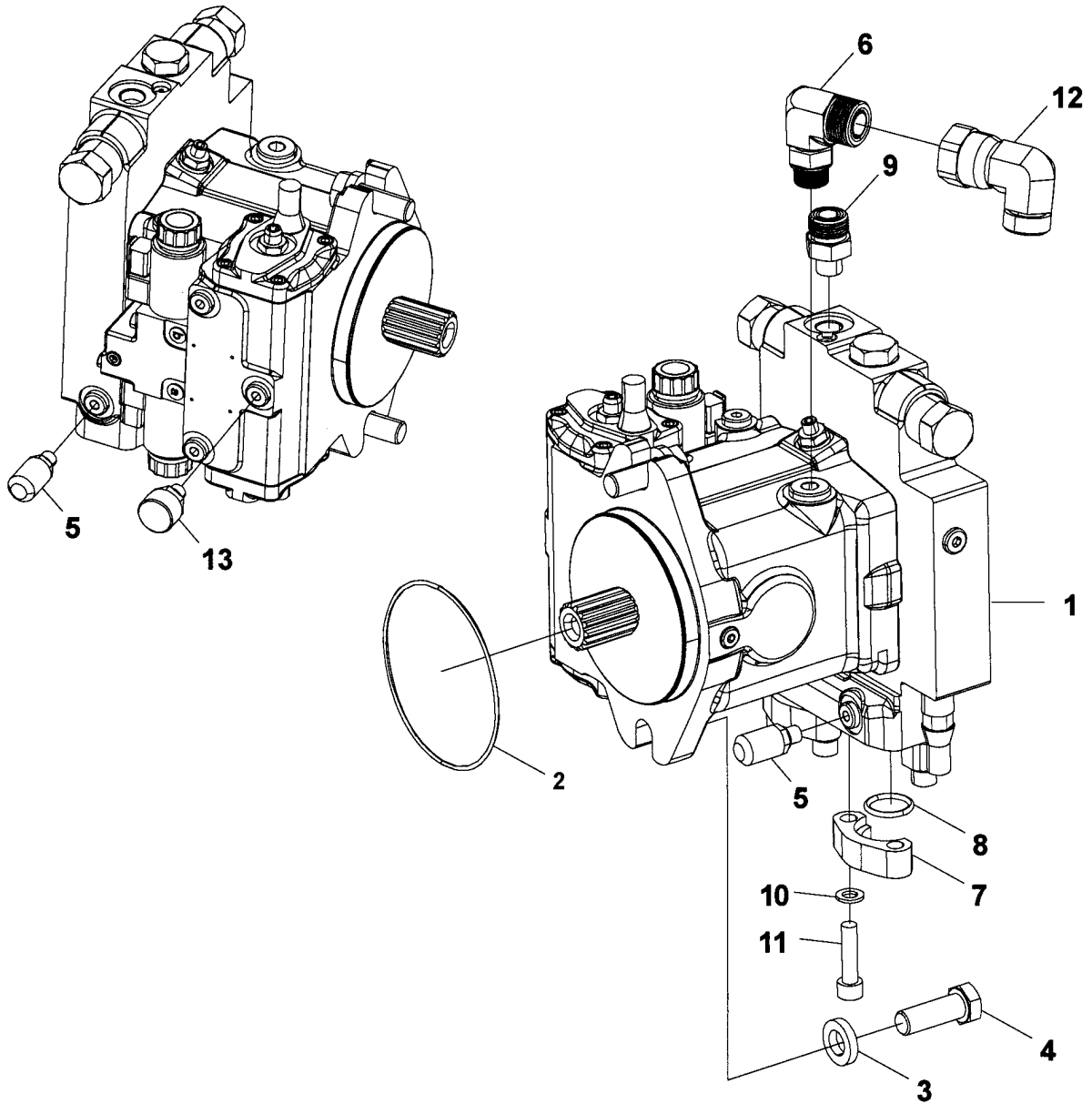


Refer to Parts Online for the most up to date information. The printed information might be outdated.

Wed Nov 14 15:03:15 UTC 2018

Item	Part No.	Name	Qty	L	SN INFO
39	--	Piston seal ring	2		
40	-	Servo cylinder assy	1		
41	4812158351	O-ring	2		
42	-	Locking plate	2		
43	-	Screw	4		

Hydraulic system, engine room Hydraulic pump module

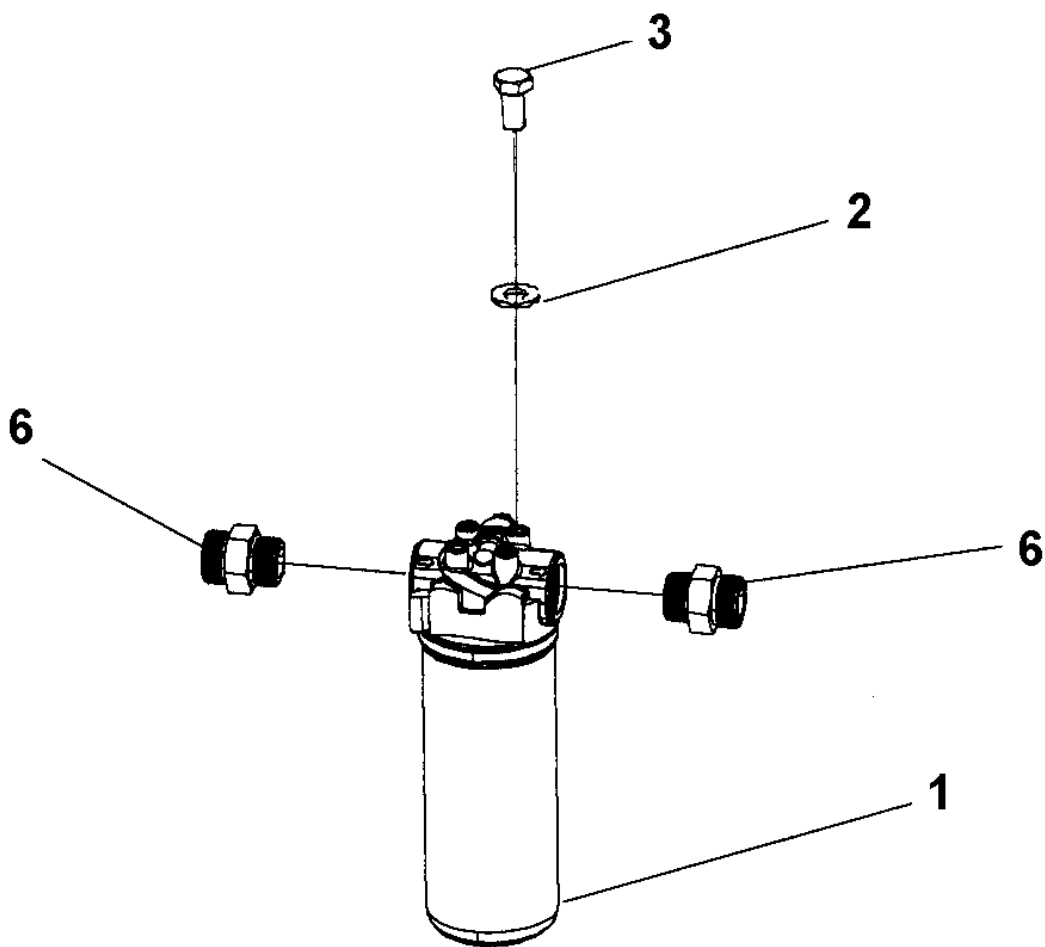


Refer to Parts Online for the most up to date information. The printed information might be outdated.

Wed Nov 14 15:03:15 UTC 2018

Item	Part No.	Name	Qty	L	SN INFO
1	4812112174	Hydraulic pump	1		
2	4700160231	O-ring	1		
3	4700904558	Washer, 17x30x6 mm 300 HV	2		
4	4700500102	Hex. screw	2		
5	4700901157	Measuring nipple	2		
6	4811000417	Connector elbow 90 orfs	1		
7	4700929226	Flange half	4		
8	4700904004	O-ring 90	2		
9	4700792465	Straight connector orfs	1		
10	4700904637	Washer	8		
11	4700508080	Screw	8		
12	4700904584	Connector elbow 90 ORFS	1		
13	4812116781	Oil filling plug	1		

Hydraulic system, engine room Hydraulic oil filter assy

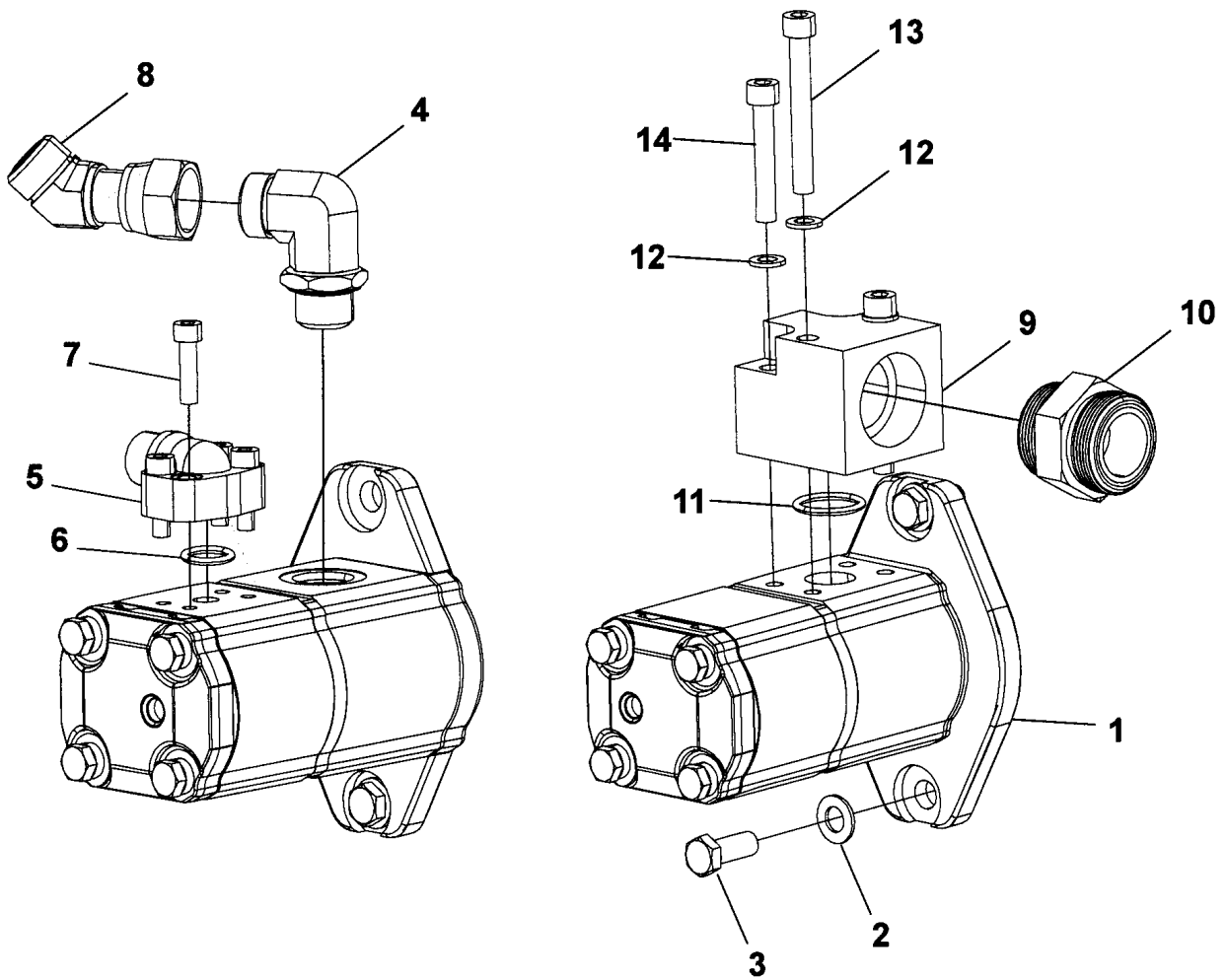


Refer to Parts Online for the most up to date information. The printed information might be outdated.

Wed Nov 14 15:03:16 UTC 2018

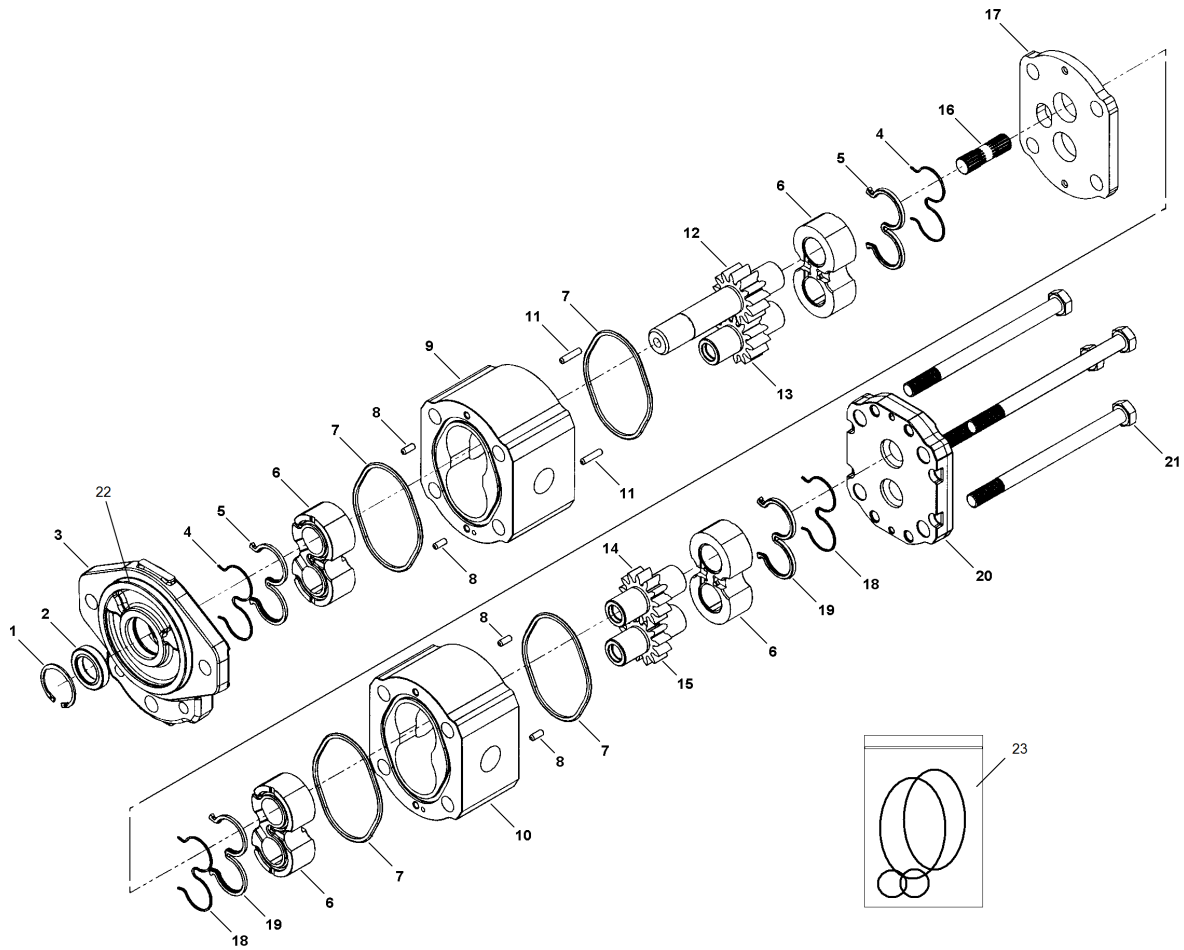
Item	Part No.	Name	Qty	L	SN INFO
1	4812112260	Hydraulic oil filter	1		
1	4812112262	Hydraulic oil filter element	1		
1	4812160664	Fiction ring, filter head	1		
1	4700936898	Sensor Red (RW)	1		
2	4700904230	Steel plain washer	4		
3	4700500048	Screw, M10x20 mm 8.8 A3K	4		
6	4700792339	Adapter	2		

Hydraulic system, engine room Hydraulic pump module



Item	Part No.	Name	Qty	L	SN INFO
1	4812118150	Hydraulic pump, steering	1		
2	4700904231	Washer, 13x24x2 mm 300 HV	2		
3	4700500046	Hex. head screw M12x030H	2		
4	4700791231	Adapter	1		
5	4812113633	Flange connector	1		
6	4700904774	O-ring	1		
7	4700508048	Hexagon socket head cap screw M	4		
8	4700904586	Elbow 45°	1		
9	4812113215	Hydraulic block	1		
10	4812114189	Adapter	1		
11	4700904005	O-ring	1		
12	4700904637	Washer	4		
13	4700508060	Screw	2		
14	4700508014	Hexagon socket head cap screw	2		

Hydraulic system, engine room 4812118150 Hydraulic pump, steering

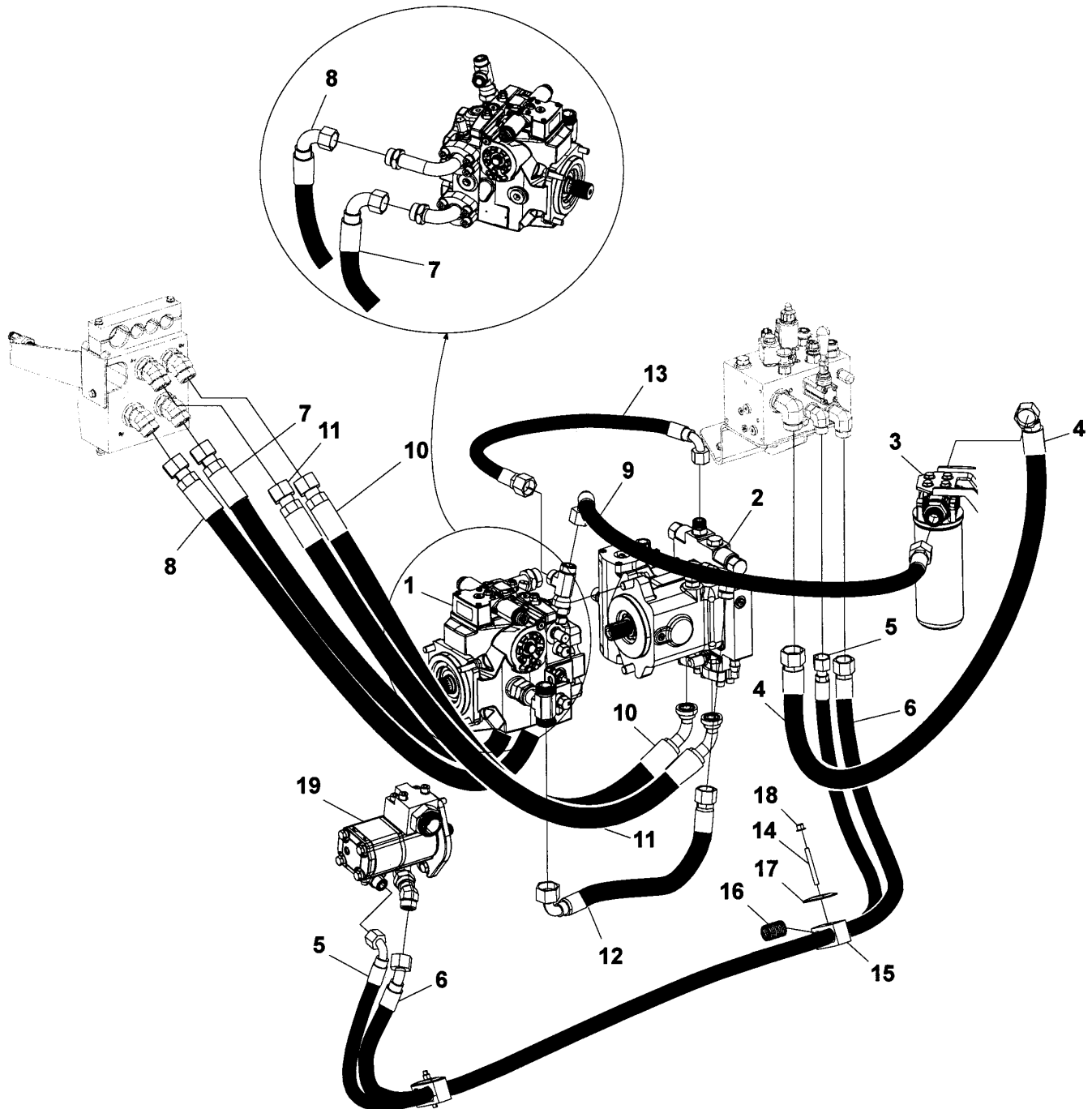


Refer to Parts Online for the most up to date information. The printed information might be outdated.

Wed Nov 14 15:03:16 UTC 2018

Item	Part No.	Name	Qty	L	SN INFO
-	4812118150	Hydraulic pump, steering	1		
1	--	Snap ring	1		
2	--	Shaft seal	1		
3	--	Mounting flange	1		
4	--	Back-up ring	2		
5	--	Seal	2		
6	--	Bearing block	4		
7	--	O-ring	4		
8	--	Dowel pin 1	4		
9	--	Gear housing 1	1		
10	--	Gear housing 2	1		
11	--	Dowel pin 2	2		
12	--	Drive gear 1	1		
13	--	Idler gear 1	1		
14	--	Drive gear 2	1		
15	--	Idler gear 2	1		
16	--	Coupling	1		
17	--	Distance plate	1		
18	--	Back-up ring	2		
19	--	Seal	2		
20	--	End cover	1		
21	--	Screw	4		
22	4700937055	O-ring	1		
23	4812158395	Seal kit, cpl	1		

Hydraulic system, engine room Adjustable frequency, eco opti Hydraulic system, engine room Adjustable frequency, eco opti



Refer to Parts Online for the most up to date information. The printed information might be outdated.

Wed Nov 14 15:03:16 UTC 2018

Item	Part No.	Name	Qty	L	SN INFO
1	-	Hydraulic pump module	1		
2	-	Hydraulic Pump	1		
3	-	Hydraulic oil filter assy	1		
4	4811000212	Hydraulic hose	1		
5	4811000412	Hydraulic hose	1		
6	4811000410	Hydraulic hose	1		
7	4812127149	Bracket	1		
8	4812127150	Hydraulic hose	1		
9	4812114516	Hydraulic hose	1		
10	4812127101	Hydraulic hose	1		
11	4812127102	Hydraulic hose	1		
12	4812114519	Hydraulic hose	1		
13	4812117324	Hydraulic hose	1		
14	4700791805	Stud	2		
15	4700791711	Pipe clamp	2		
16	4812113941	Hose holder clip	2		
17	4700791712	Cover plate	2		
18	4700902286	Lock nut, M8x1.25 mm A2K	2		
19	-	Hydraulic pump module	1	A	
19	-	Hydraulic pump module	1	B	

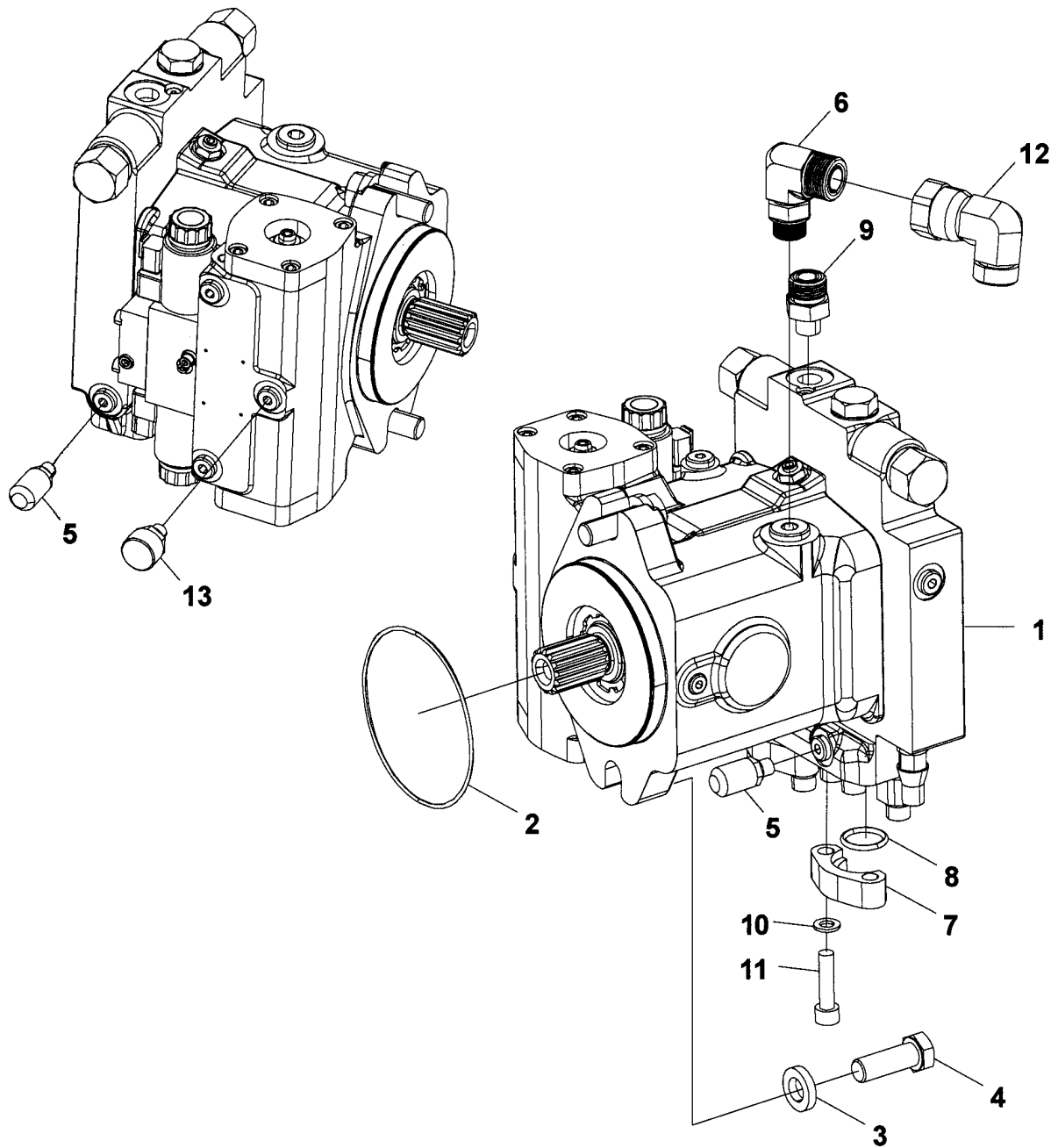
Comments for Page: Hydraulic system, engine room Adjustable frequency, eco opti

(L)OCAL REMARKS

A | en_US | Adjustable frequency, option.

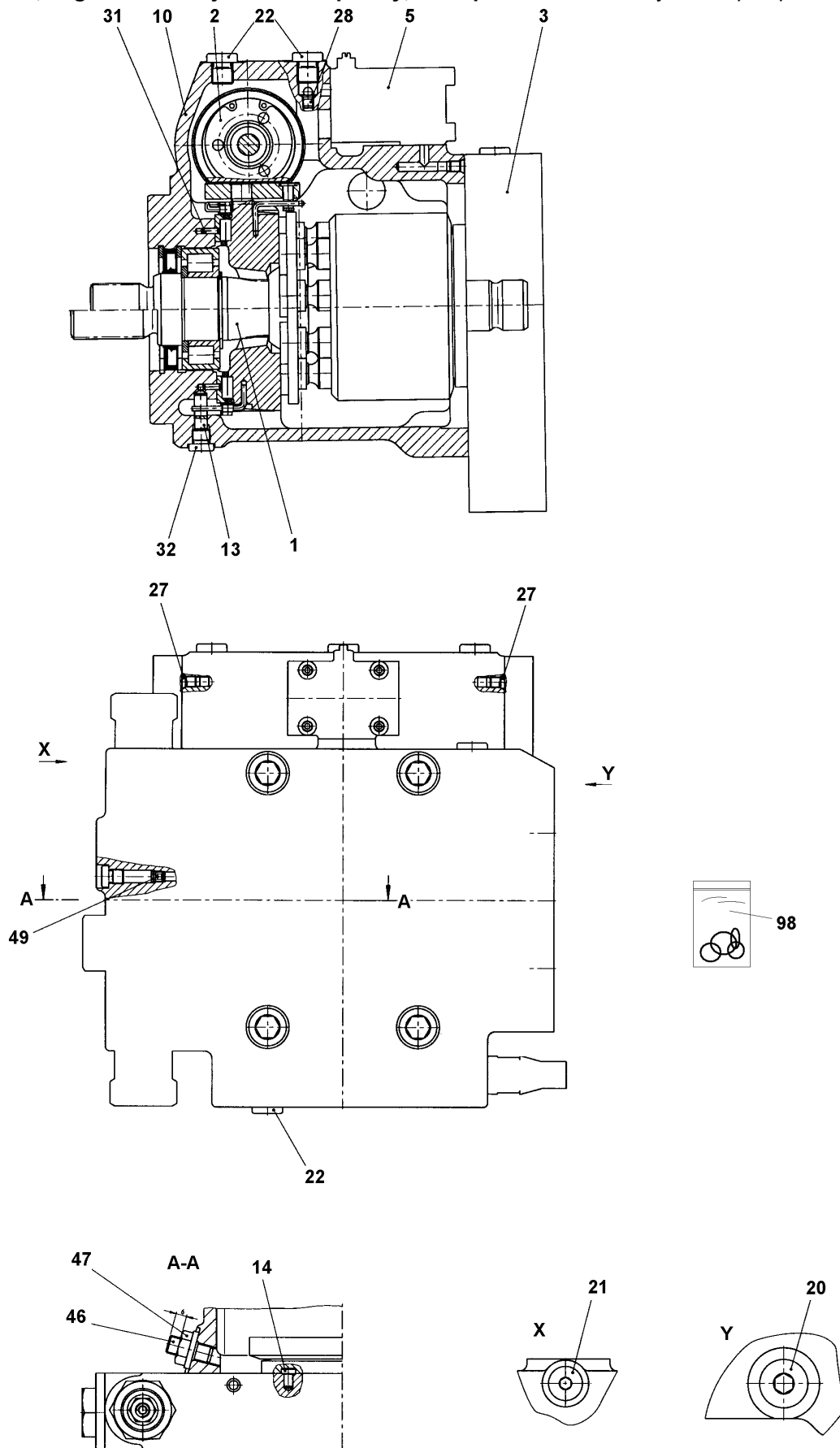
B | en_US | Eco, option.

Hydraulic system, engine room Adjustable frequency, eco opti Hydraulic pump



Item	Part No.	Name	Qty	L	SN INFO
1	4812112180	Hydraulic pump	1		
2	4700160231	O-ring	1		
3	4700904558	Washer, 17x30x6 mm 300 HV	2		
4	4700500070	Hex. screw	2		
5	4700901157	Measuring nipple	2		
6	4811000417	Connector elbow 90 orfs	1		
7	4700929226	Flange half	4		
8	4700904004	O-ring 90	2		
9	4700792465	Straight connector orfs	1		
10	4700904637	Washer	8		
11	4700508080	Screw	8		
12	4700904584	Connector elbow 90 ORFS	1		
13	4812116781	Oil filling plug	1		

Hydraulic system, engine room Adjustable frequency, eco opti 4812112180 Hydraulic pump

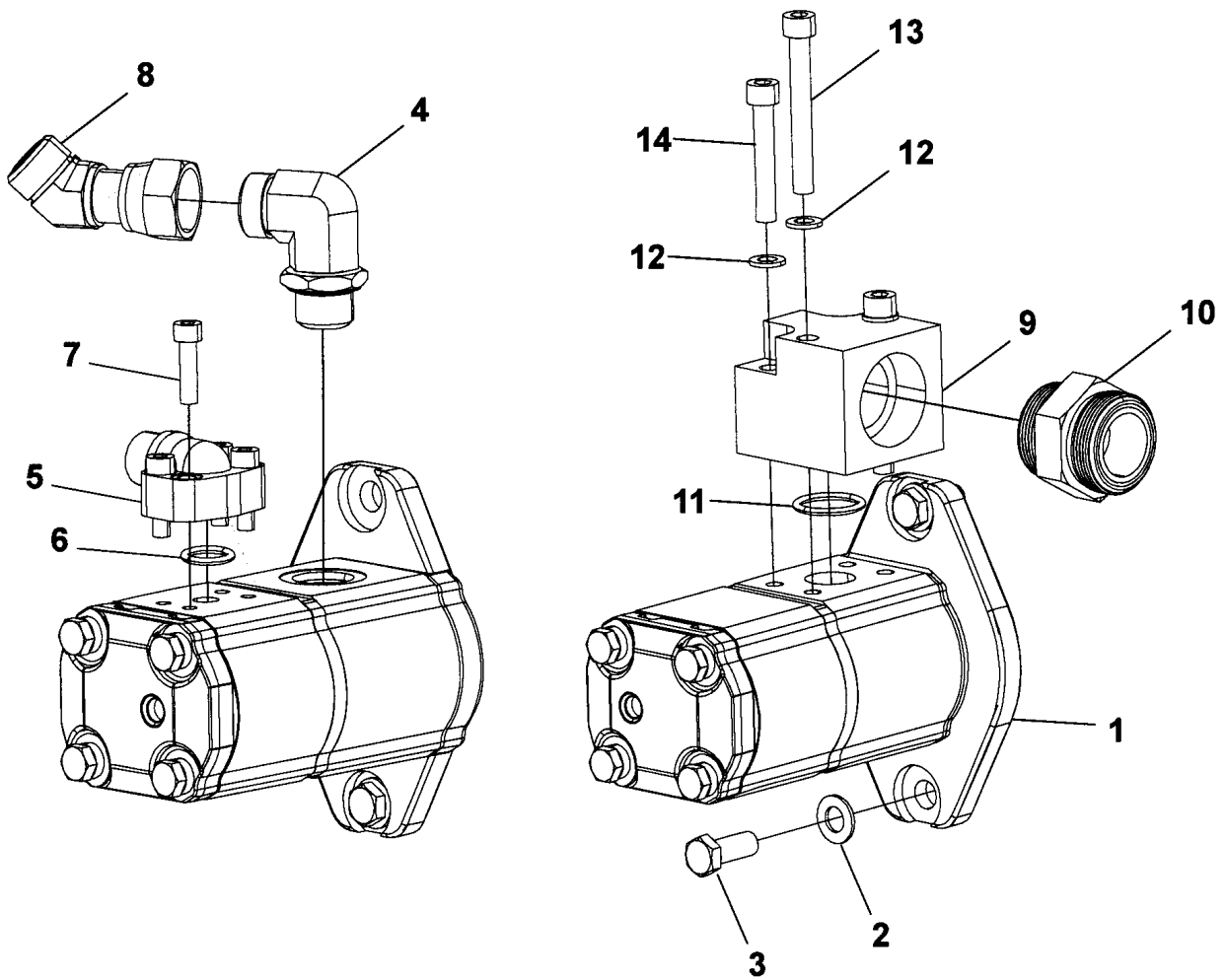


Refer to Parts Online for the most up to date information. The printed information might be outdated.

Wed Nov 14 15:03:17 UTC 2018

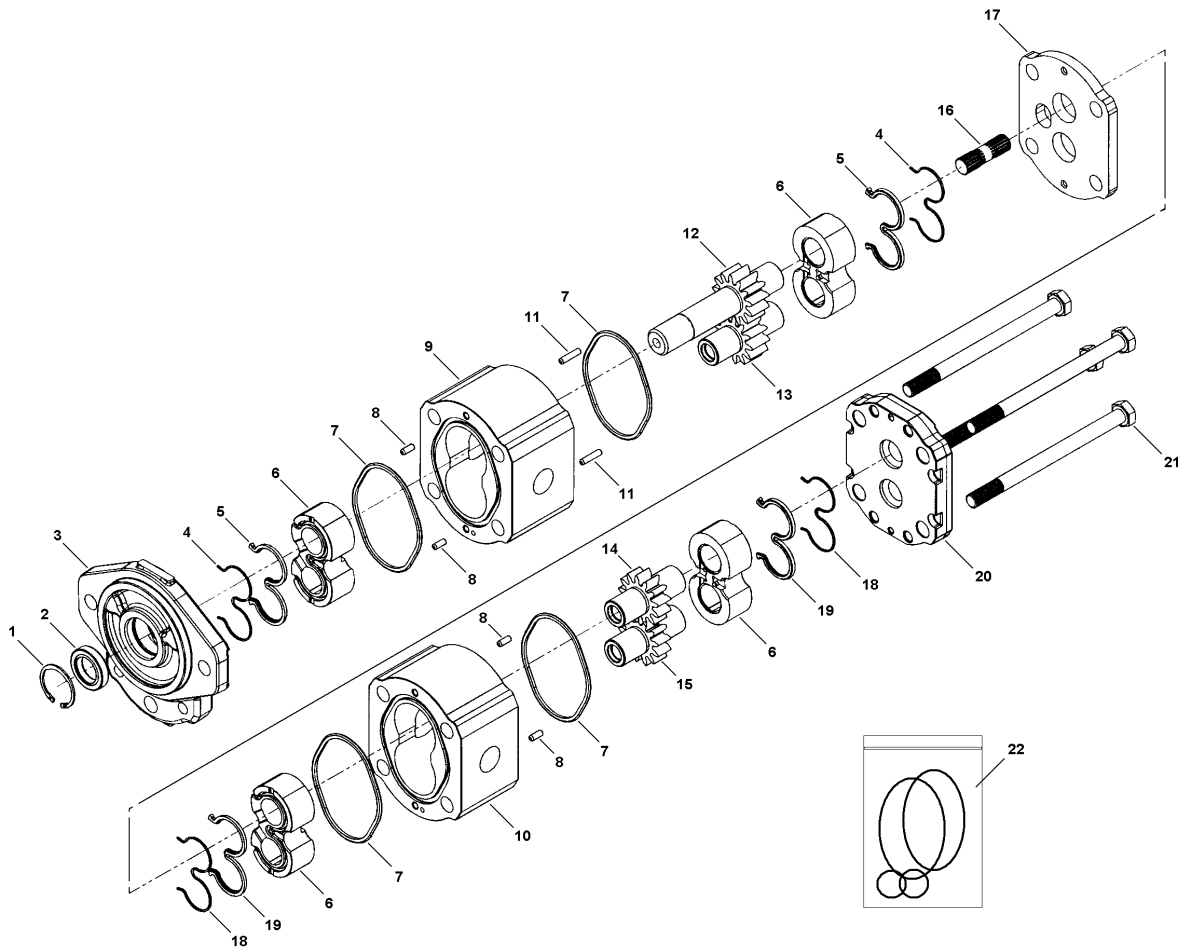
Item	Part No.	Name	Qty	L	SN INFO
1	-	Rotary group	1		
2	-	Control, hydraulic	1		
3	-	Subplate	1		
5	-	Control module	1		
10	-	Housing	1		
13	-	Joint pin	1		
14	-	Eccentric bolt	1		
20	-	Locking screw	1		
21	-	Locking screw	1		
22	-	Locking screw	4		
27	-	Double break-off plug	2		
28	4812158198	Orifice	2		
31	-	Clamping pin	2		
32	-	Locking screw	1		
46	-	Threaded pin	1		
47	-	Sealing nut	1		
49	4700936313	Orifice	1		
98	4700940676	Seal kit	1		

Hydraulic system, engine room Adjustable frequency, eco opti Hydraulic pump module, Eco



Item	Part No.	Name	Qty	L	SN INFO
1	4812118151	Hydraulic pump	1		
2	4700904231	Washer, 13x24x2 mm 300 HV	2		
3	4700500046	Hex. head screw M12x030H	2		
4	4700791231	Adapter	1		
5	4812113633	Flange connector	1		
6	4700904774	O-ring	1		
7	4700508048	Hexagon socket head cap screw M	4		
8	4700904586	Elbow 45°	1		
9	4812113621	Hydraulic block	1		
10	4812114189	Adapter	1		
11	4700904171	O-ring	1		
12	4700904637	Washer	4		
13	4700508060	Screw	2		
14	4700508014	Hexagon socket head cap screw	2		

Hydraulic system, engine room Adjustable frequency, eco opti 4812118151 Hydraulic pump

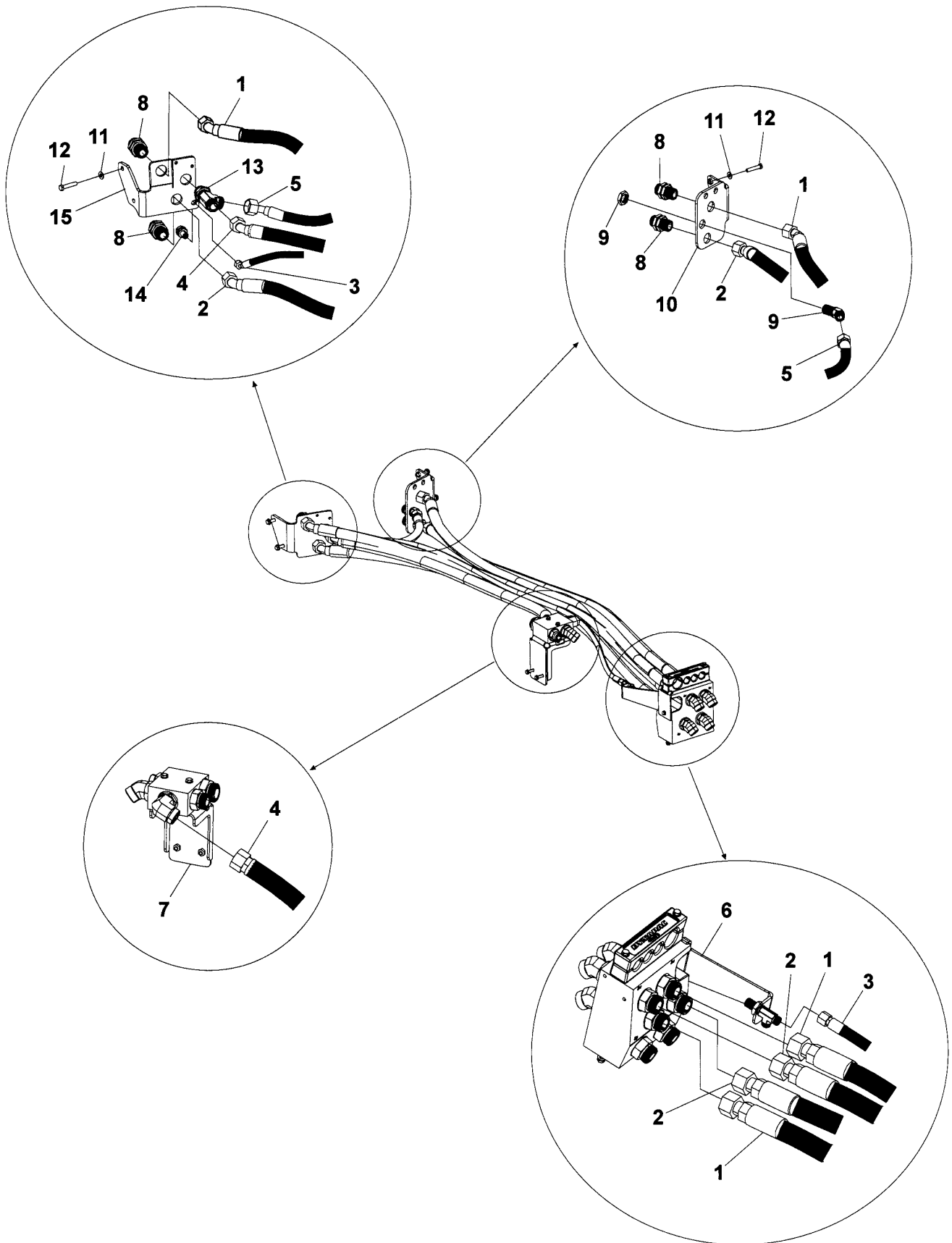


Refer to Parts Online for the most up to date information. The printed information might be outdated.

Wed Nov 14 15:03:17 UTC 2018

Item	Part No.	Name	Qty	L	SN INFO
-	4812118151	Hydraulic pump	1		
1	--	Snap ring	1		
2	--	Shaft seal	1		
3	--	Mounting flange	1		
4	--	Back-up ring	2		
5	--	Seal	2		
6	--	Bearing block	4		
7	--	O-ring	4		
8	--	Dowel pin 1	4		
9	--	Gear housing 1	1		
10	--	Gear housing 2	1		
11	--	Dowel pin 2	2		
12	--	Drive gear 1	1		
13	--	Idler gear 1	1		
14	--	Drive gear 2	1		
15	--	Idler gear 2	1		
16	--	Coupling	1		
17	--	Distance plate	1		
18	--	Back-up ring	2		
19	--	Seal	2		
20	--	End cover	1		
21	--	Screw	4		
22	4812158395	Seal kit, cpl	1		

Hydraulic system, frame rear Hydraulic system, frame rear

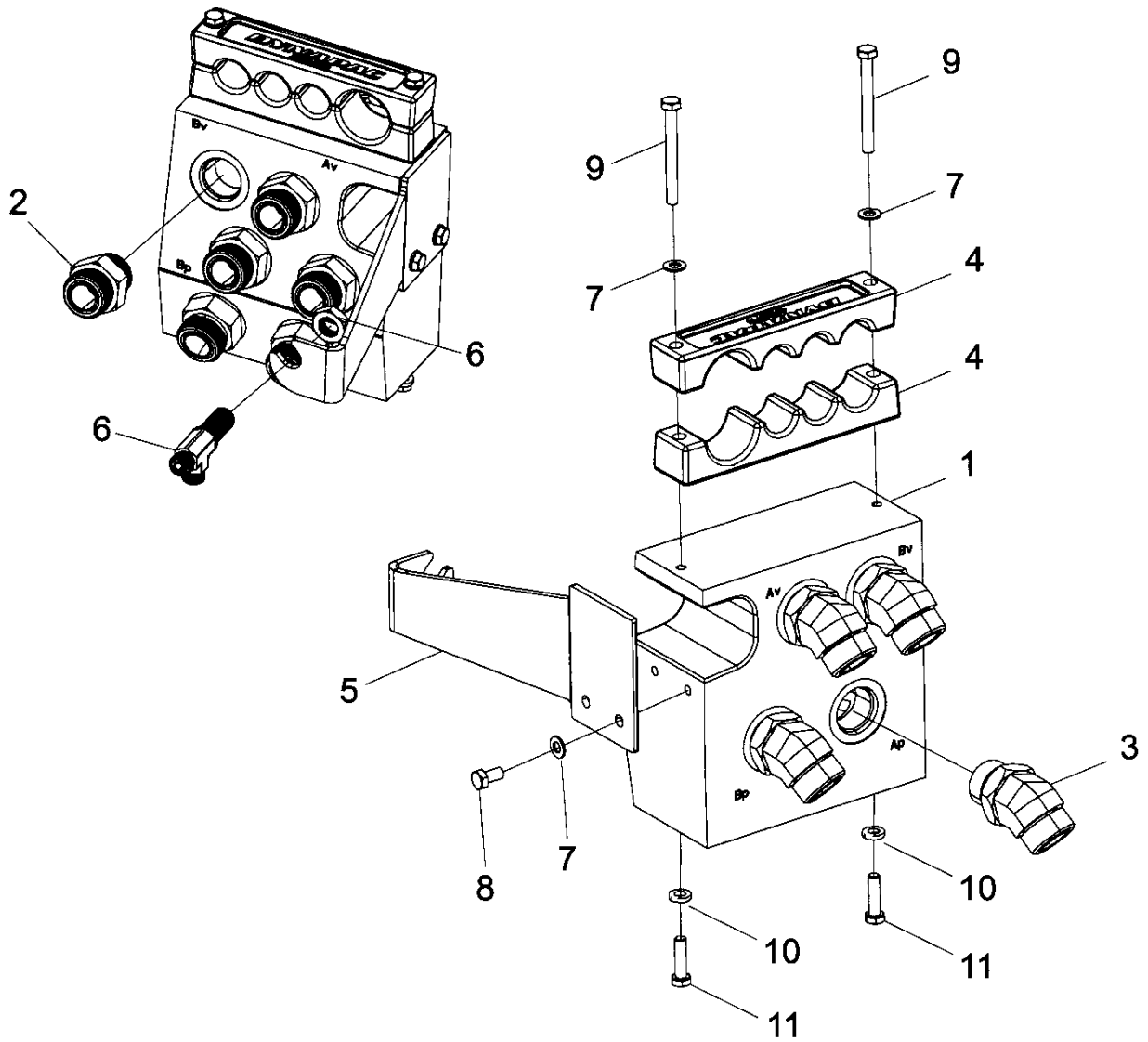


Refer to Parts Online for the most up to date information. The printed information might be outdated.

Wed Nov 14 15:03:17 UTC 2018

Item	Part No.	Name	Qty	L	SN INFO
1	4812127103	Hydraulic hose	2		
2	4812127104	Hydraulic hose	2		
3	4811000205	Hydraulic hose	1		
4	4811000201	Hydraulic hose	1		
5	4811000200	Hydraulic hose	1		
6	-	Connector kit	1		
7	-	Connector kit	1		
8	4812112559	Bulkhead union	1		
9	4811000261	Bulkhead elbow 45	1		
10	4812112341	Bracket	1		
11	4700904230	Steel plain washer	4		
12	4700500161	Screw	4		
13	4811000263	Bulkhead union	1		
14	4700791830	Adapter	1		
15	4812115832	Bracket	1		

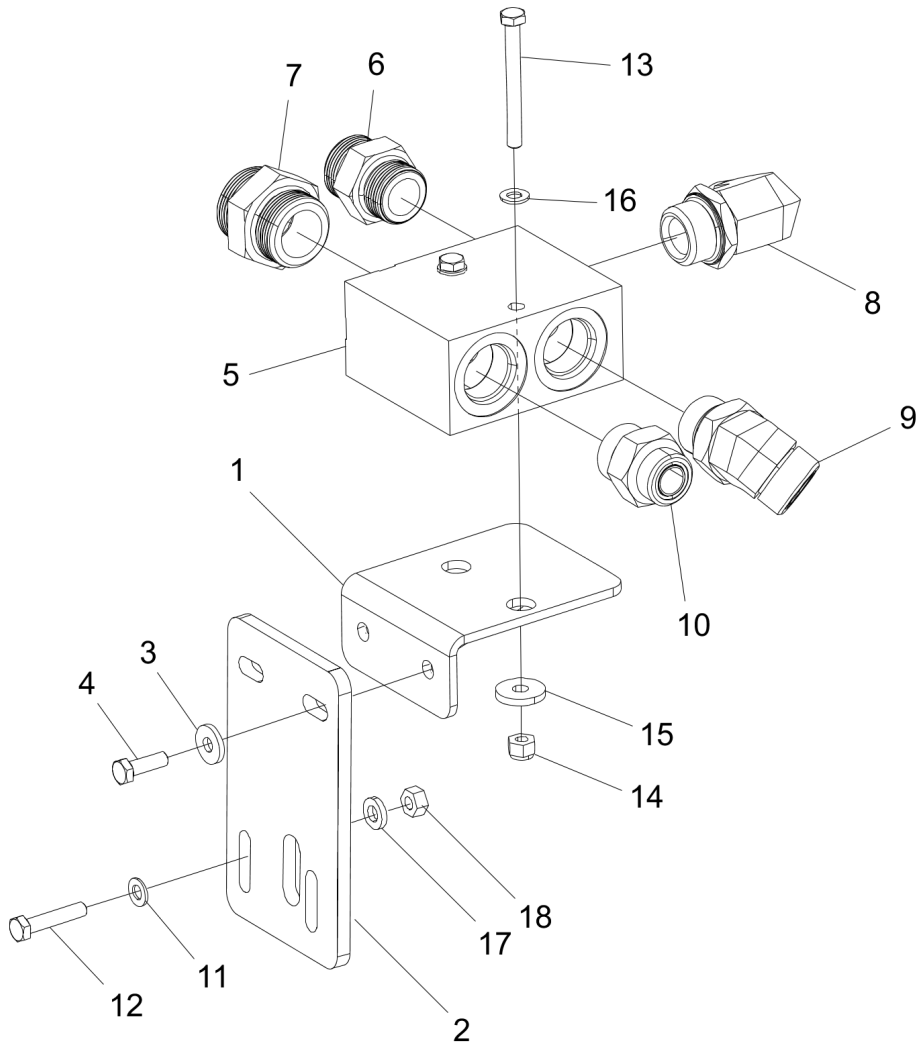
Hydraulic system, frame rear Connector kit



Refer to Parts Online for the most up to date information. The printed information might be outdated.

Wed Nov 14 15:03:18 UTC 2018

Item	Part No.	Name	Qty	L	SN INFO
1	4812111768	Hydraulic block	1		
2	4700792339	Adapter	6		
3	4700791212	Adapter	4		
4	4812111771	Hose holder	2		
5	4812111770	Holder	1		
6	4812114492	Bulkhead union	1		
7	4700904229	Washer, 8.4x 6x1.5 mm 300HV	4		
8	4700500019	Hexagon screw	2		
9	4700500090	Screw	2		
10	4700904556	Steel plain washer 8,4x16x3,0	2		
11	4700500022	Screw	2		

Hydraulic system, frame rear Connector kit

Refer to Parts Online for the most up to date information. The printed information might be outdated.

Wed Nov 14 15:03:18 UTC 2018

Item	Part No.	Name	Qty	L	SN INFO
1	4812115463	Holder	1		
2	4812121550	Holder	1		
3	4700904640	Washer, 8.4x22x3 mm 300HV	2		
4	4700500021	Screw, M8x25 mm 8.8 A2K	2		
5	4812111769	Hydraulic block	1		
6	4700792339	Adapter	1		
7	4812112555	Adapter	1		
8	4700792299	Adapter	1		
9	4700791212	Adapter	1		
10	4700791318	Adapter	1		
11	4700904229	Washer, 8.4x 6x1.5 mm 300HV	2		
12	4700500025	Screw, M8x50 mm 8.8 A2K	2		
13	4700500249	Screw	2		
14	4700586003	Lock nut M8	2		
15	4700904734	Washer, 8.4x26x4 mm 300 HV	2		
16	4700604005	Spring washer	1		
17	4700904556	Steel plain washer 8,4x16x3,0	2		
18	4700570005	Hexagon nut	2		

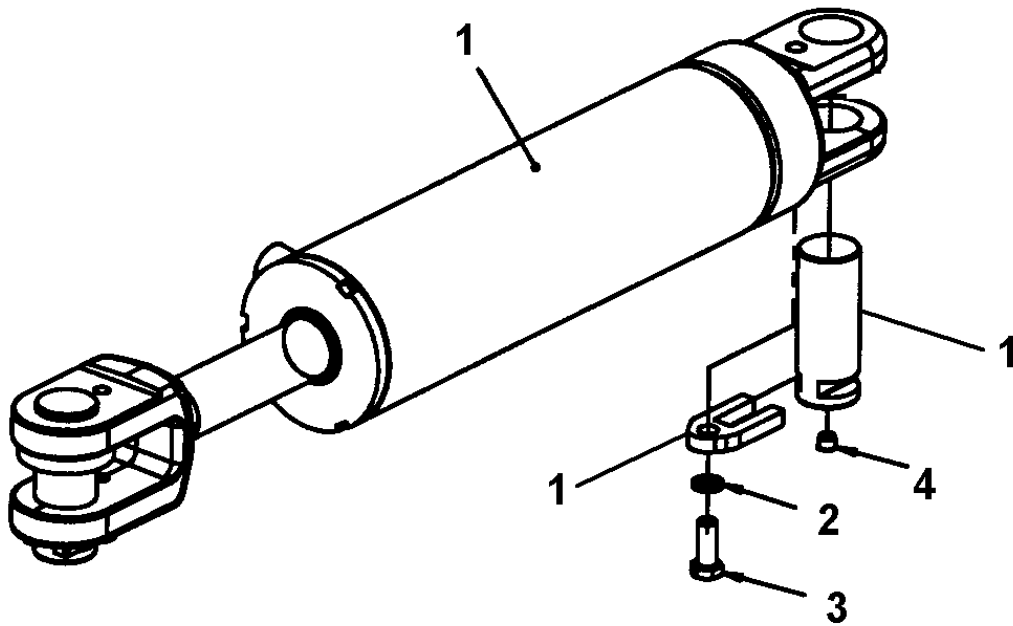
Item	Part No.	Name	Qty	L	SN INFO
1	-	Hydraulic Cylinder	2		
2	4811000207	Hydraulic hose	2		
3	4700792586	T-connector ORFS	2		
4	4811000206	Hydraulic hose	2		
5	4700904623	Hose guard	1XL	A	
6	4700791799	Straight connector orfs	2		
7	4700903456	Pipe clamp	2		
8	4700904872	Cover plate	2		
9	4700792500	Stud	1		
10	4700902286	Lock nut, M8x1.25 mm A2K	2		
11	4700791807	Stud	1		
12	4700287295	Clamp	1		
13	4812113983	Bracket	1		
15	4700904229	Washer, 8.4x 6x1.5 mm 300HV	2		
16	4700500053	Screw, M8x20 mm 8.8 A2K	2		
34	-	Steering valve module	1		

Comments for Page: Hydraulic system, steering

(L)OCAL REMARKS

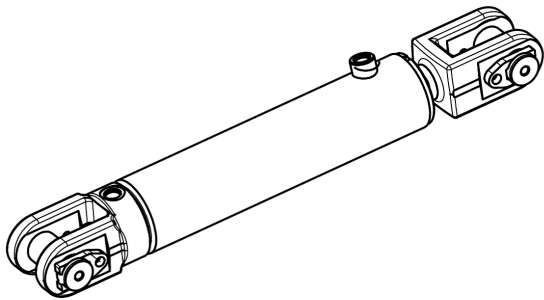
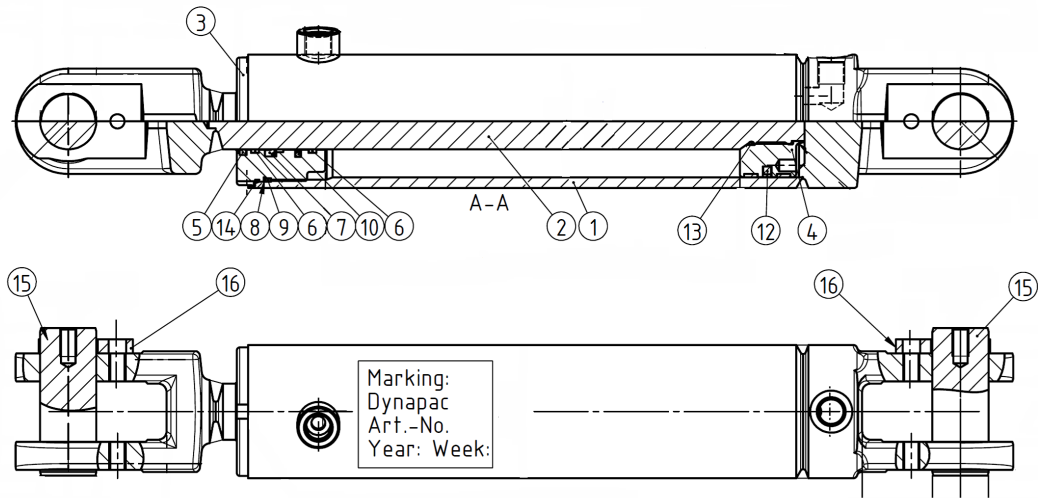
A | en_US | L=0.4m

Hydraulic system, steering Hydraulic cylinder



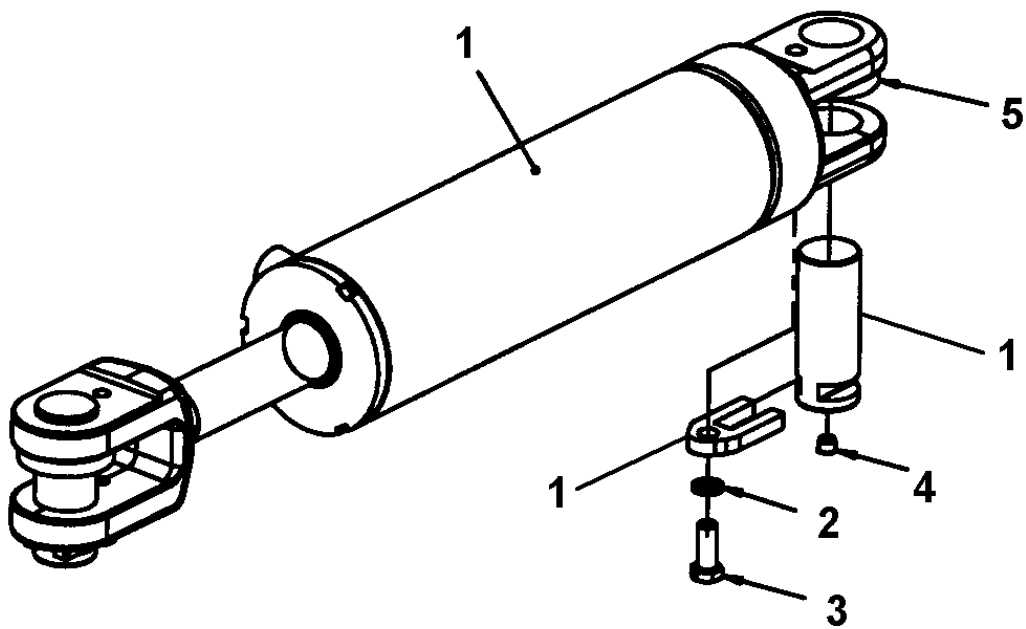
Item	Part No.	Name	Qty	L	SN INFO
1	4812120831	Hydraulic cylinder	1		
1	4812157781	Seal kit	1		
1	4812121946	Hydraulic cylinder	1		
1	4812160852	Seal kit	1		
2	4700900994	Lock washer	2		
3	4700500046	Hex. head screw M12x030H	2		
4	4700792083	Plug	2		

Hydraulic system, steering 4812121946 Hydraulic cylinder



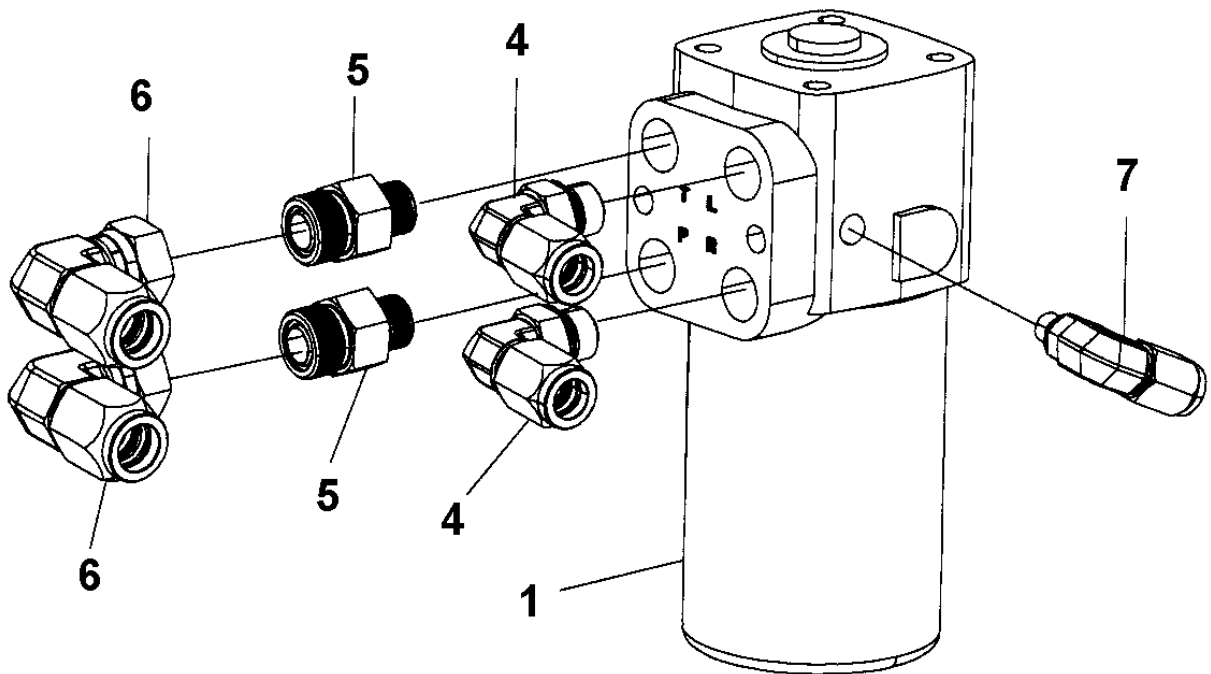
Item	Part No.	Name	Qty	L	SN INFO
0	4812121946	Hydraulic cylinder	1		
1	--	Cylinder pipe	1		
2	--	Piston rod	1		
3	--	Guide block	1		
4	--	Piston	1		
5A	4812160852	Seal kit	1		
5	---	Wiper	1		
6	---	Guide Ring	2		
7	---	Rod seal	1		
8	---	Backup ring	1		
9	---	O-ring	1		
10	---	O-ring	1		
11	---	O-ring	2		
12	---	O-ring	1		
13	---	O-ring	1		
14	---	O-ring	1		
15	4812161153	Pin	2		
16	4812157759	Locking fork	2		

Hydraulic system, steering Hydraulic cylinder



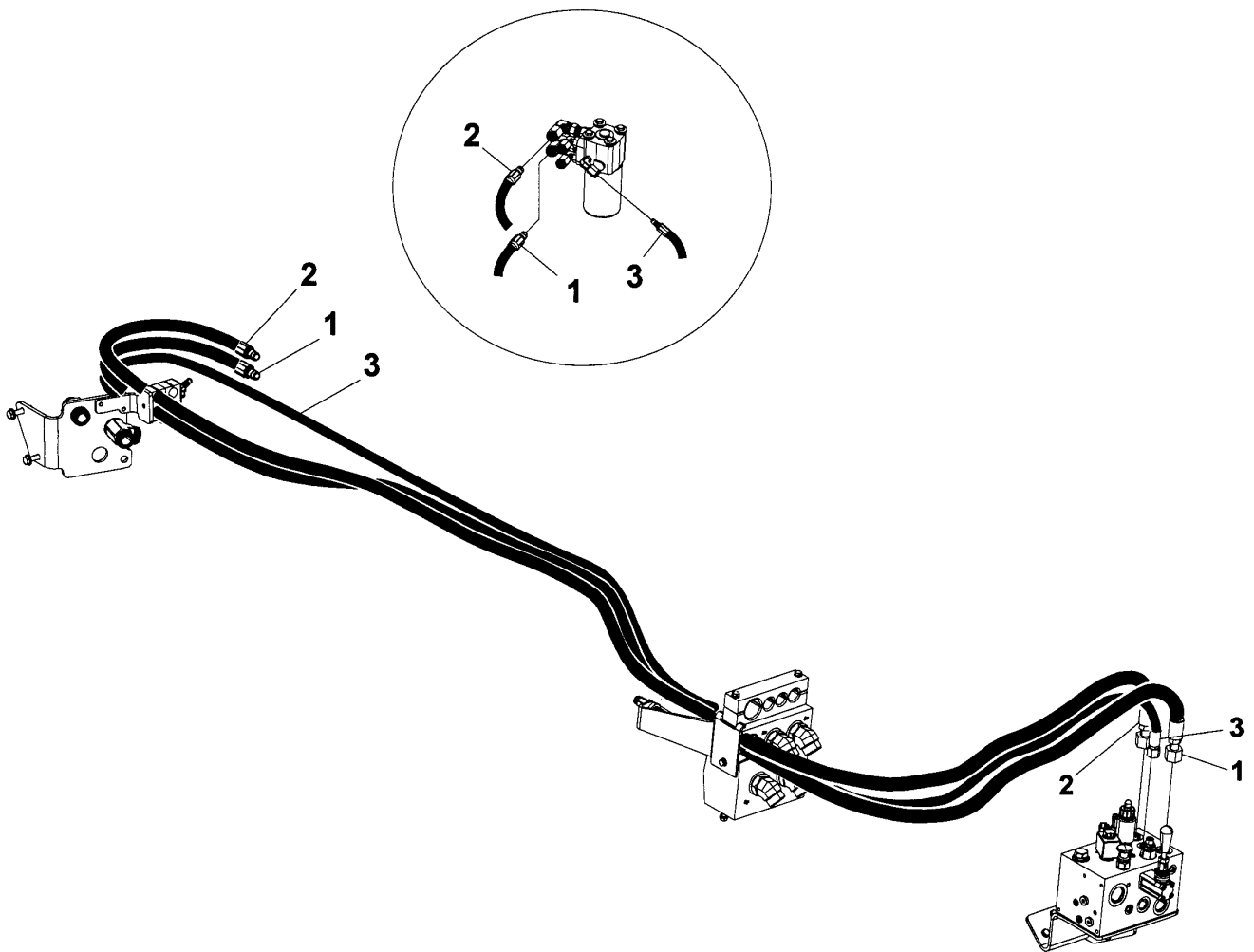
Item	Part No.	Name	Qty	L	SN INFO
1	4812121946	Hydraulic cylinder	1		
2	4700900994	Lock washer	2		
3	4700500046	Hex. head screw M12x030H	2		
4	4700792083	Plug	2		
5	4812117297	Sealing strip	2		

Hydraulic system, steering Steering valve module



Item	Part No.	Name	Qty	L	SN INFO
1	4812112290	Steering valve	1		
4	4812115063	Elbow connector 90°	2		
5	4811000074	Straight connector orfs	2		
6	4812115064	Elbow connector 90°	2		
7	4812115065	Elbow connector 90°	1		

Hydraulic system, steering Hydraulic hoses, steering

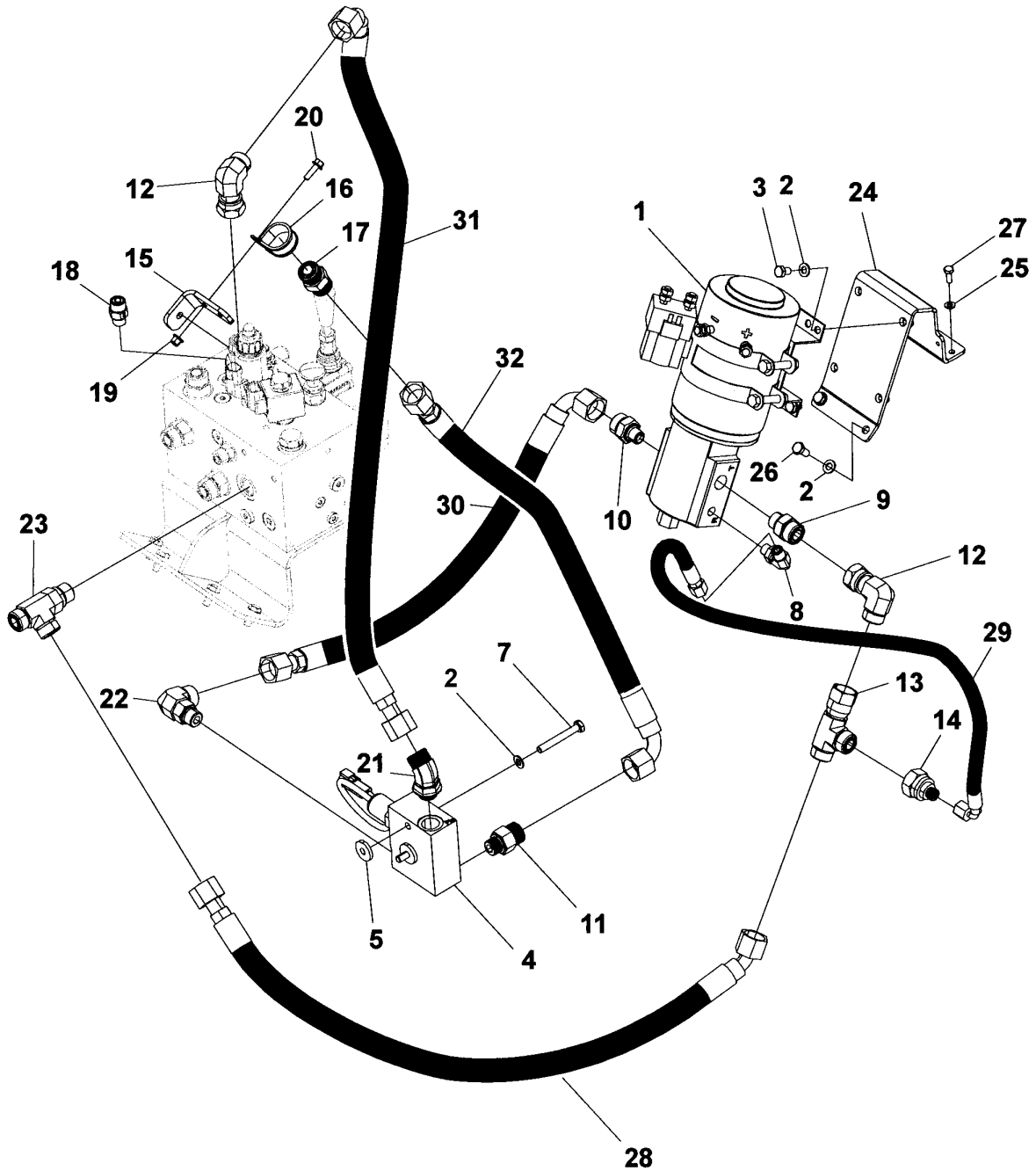


Refer to Parts Online for the most up to date information. The printed information might be outdated.

Wed Nov 14 15:03:19 UTC 2018

Item	Part No.	Name	Qty	L	SN INFO
1	4811000407	Hydraulic hose uptc	1		
2	4811000408	Hydraulic hose uptc	1		
3	4811000409	Hydraulic hose uptc	1		

Hydraulic system, emergency steering Hydraulic system, emergency steering

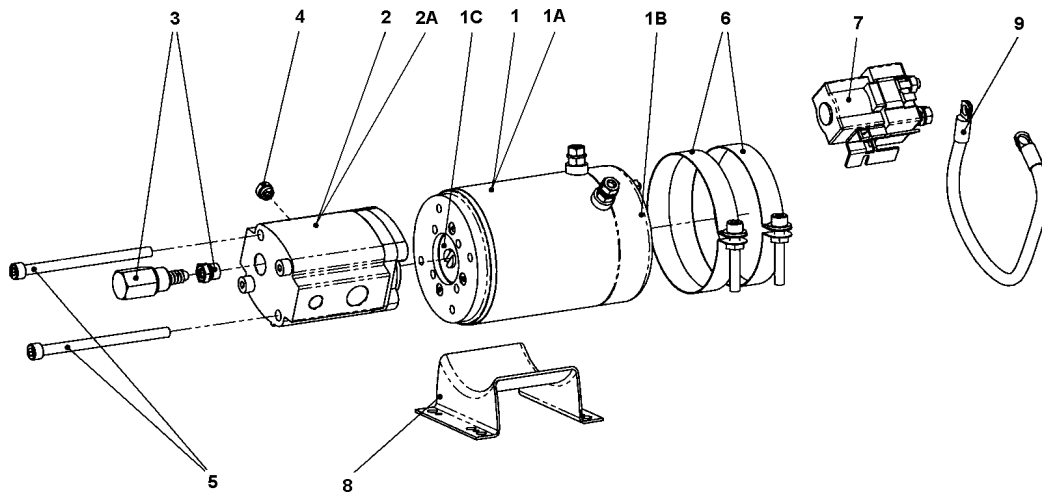


Refer to Parts Online for the most up to date information. The printed information might be outdated.

Wed Nov 14 15:03:19 UTC 2018

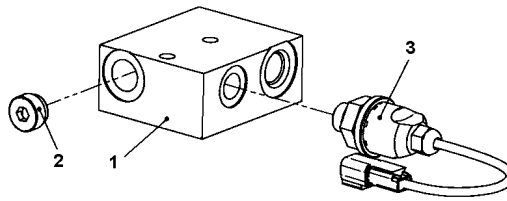
Item	Part No.	Name	Qty	L	SN INFO
1	4812112188	Hydraulic pump Emergency steering unit	1		
2	4700904229	Washer, 8.4x 6x1.5 mm 300HV	8		
3	4700500018	Hex. screw	4		
4	4812112236	Hydraulic valve	1		
5	4700904734	Washer, 8.4x26x4 mm 300 HV	2		
7	4700500026	Screw M8-1,25x60 mm 8.8	2		
8	4700791397	Connector	1		
9	4700792074	Straight connector	1		
10	4700792093	Straight connector orfs	1		
11	4811000074	Straight connector orfs	1		
12	4700904766	Elbow connector 90°	2		
13	4700791832	Tee-connector	1		
14	4811000305	Reducer	1		
15	4812116807	Bracket	1		
16	4700921084	Pipe clamp	1		
17	4700904943	Connector	1		
18	4812117024	Check valve	1		
19	4700902285	Nut	1		
20	4700500501	Screw M6x20	1		
21	4700792809	Elbow 90 orfs	1		
22	5501178300	Connector elbow 90 orfs	1		
23	4700791834	Adapter ORFS	1		
24	4812118887	Bracket	1		
25	4700904228	Washer 6,4x12x1,5	2		
26	4700500019	Hexagon screw	2		
27	4700500013	Screw, M6x16 mm 8.8 A2K	2		
28	4812118917	Hydraulic hose	1		
29	4812118918	Hydraulic hose	1		
30	4811000393	Hydraulic hose	1		
31	4812118920	Hydraulic hose	1		
32	4812118921	Hydraulic hose	1		

Hydraulic system, emergency steering 4812112188 Hydraulic pump Emergency steering unit



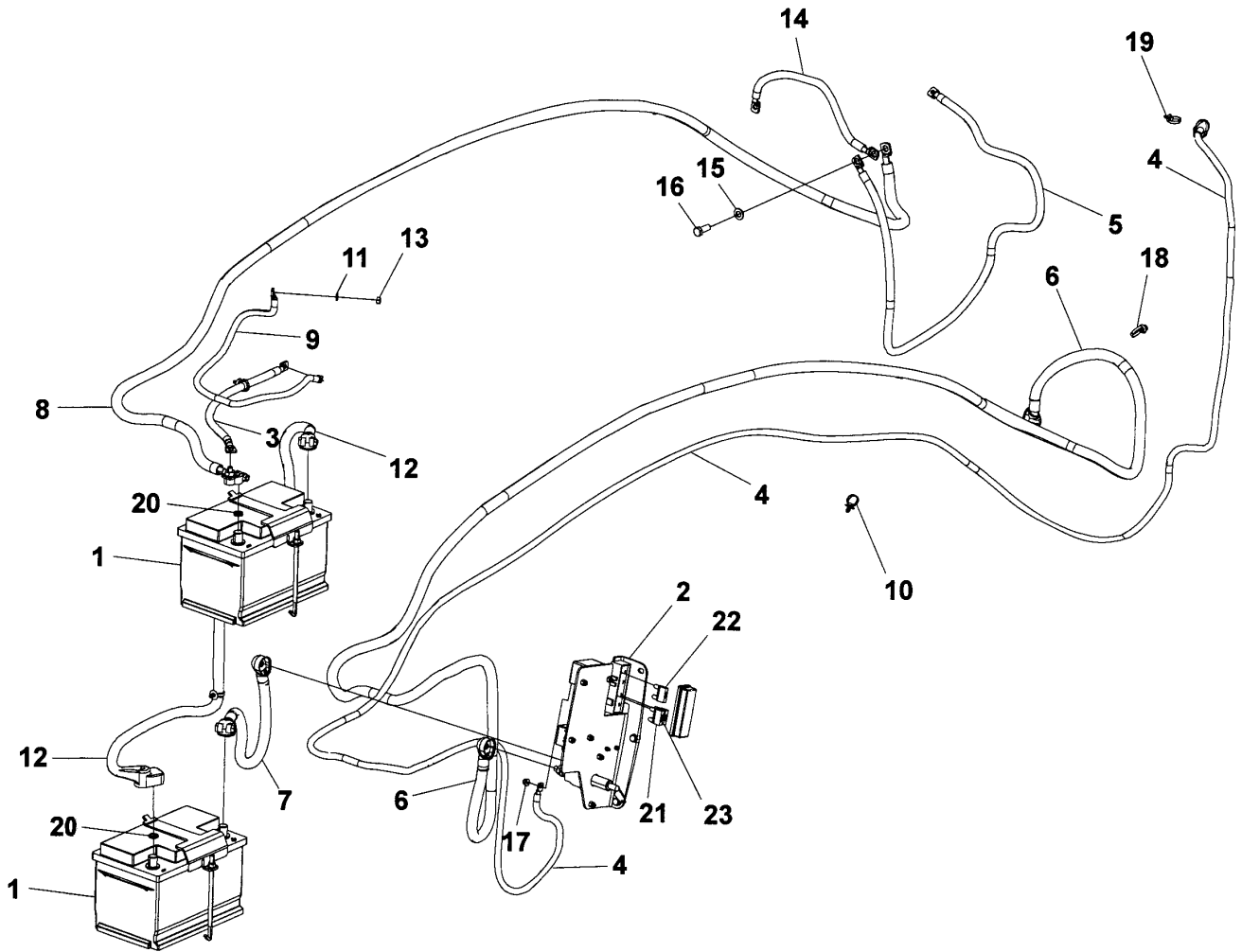
Item	Part No.	Name	Qty	L	SN INFO
0	4812112188	Hydraulic pump Emergency steering unit	1		
1	4812157656	Motor	1		
1-A	-	Brush kit	1		
1-B	4812157471	Ball bearing	1		
1-C	4812157472	Ball bearing	1		
2	4812157657	Pump	1		
2-A	4812157473	Seal kit	1		
3	-	Relief valve kit	1		
4	-	Check valve	1		
5	-	Screw	2		
6	-	Clamp cpl	2		
7	4812157474	Start switch	1		
8	-	Motor bracket	1		
9	-	Connection cable	1		

Hydraulic system, emergency steering 4812112236 Hydraulic valve



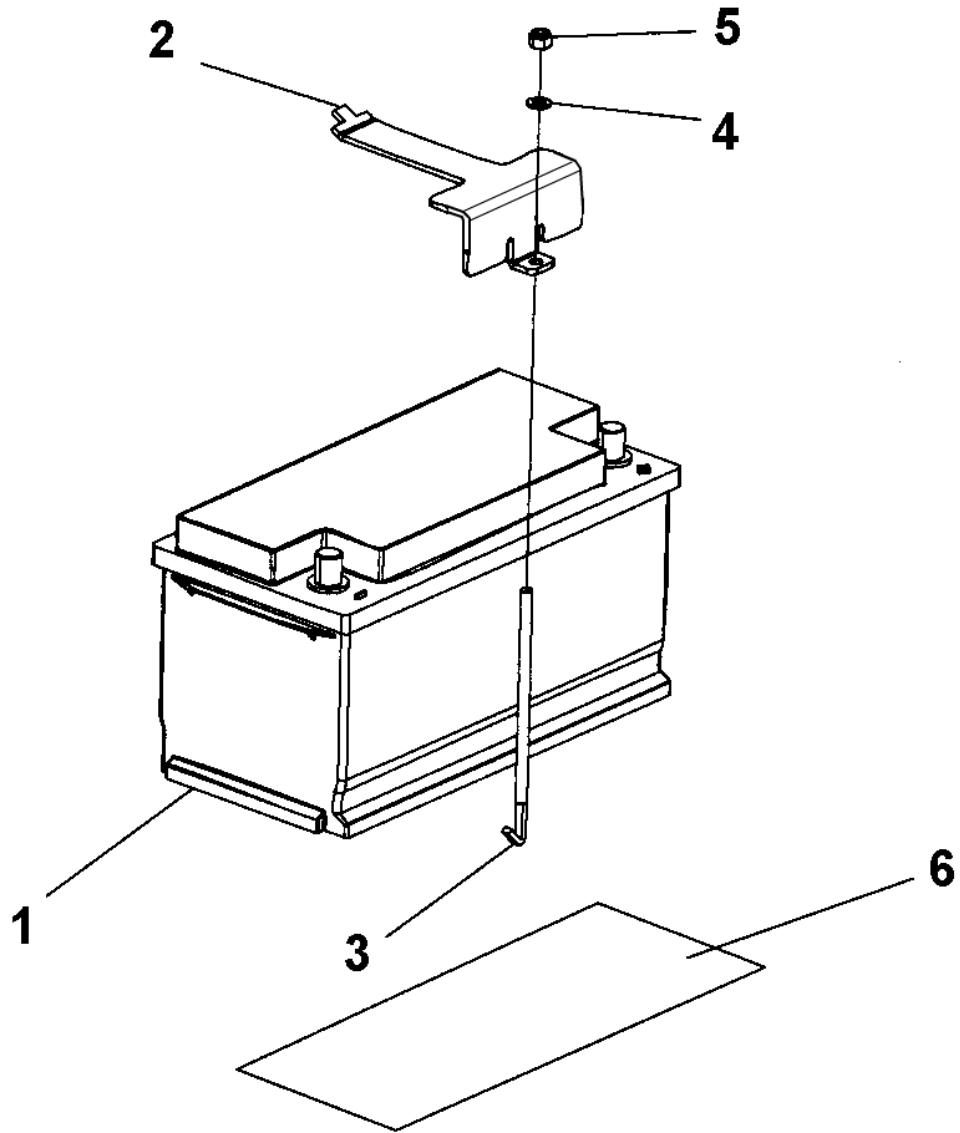
Item	Part No.	Name	Qty	L	SN INFO
0	4812112236	Hydraulic valve	1		
1	-	Control Block	1		
2	-	Check valve	1		
3	-	Pressure switch cpl	1		

Electric cables, power supply, 1-pole Electric cables, power supply, 1-pole



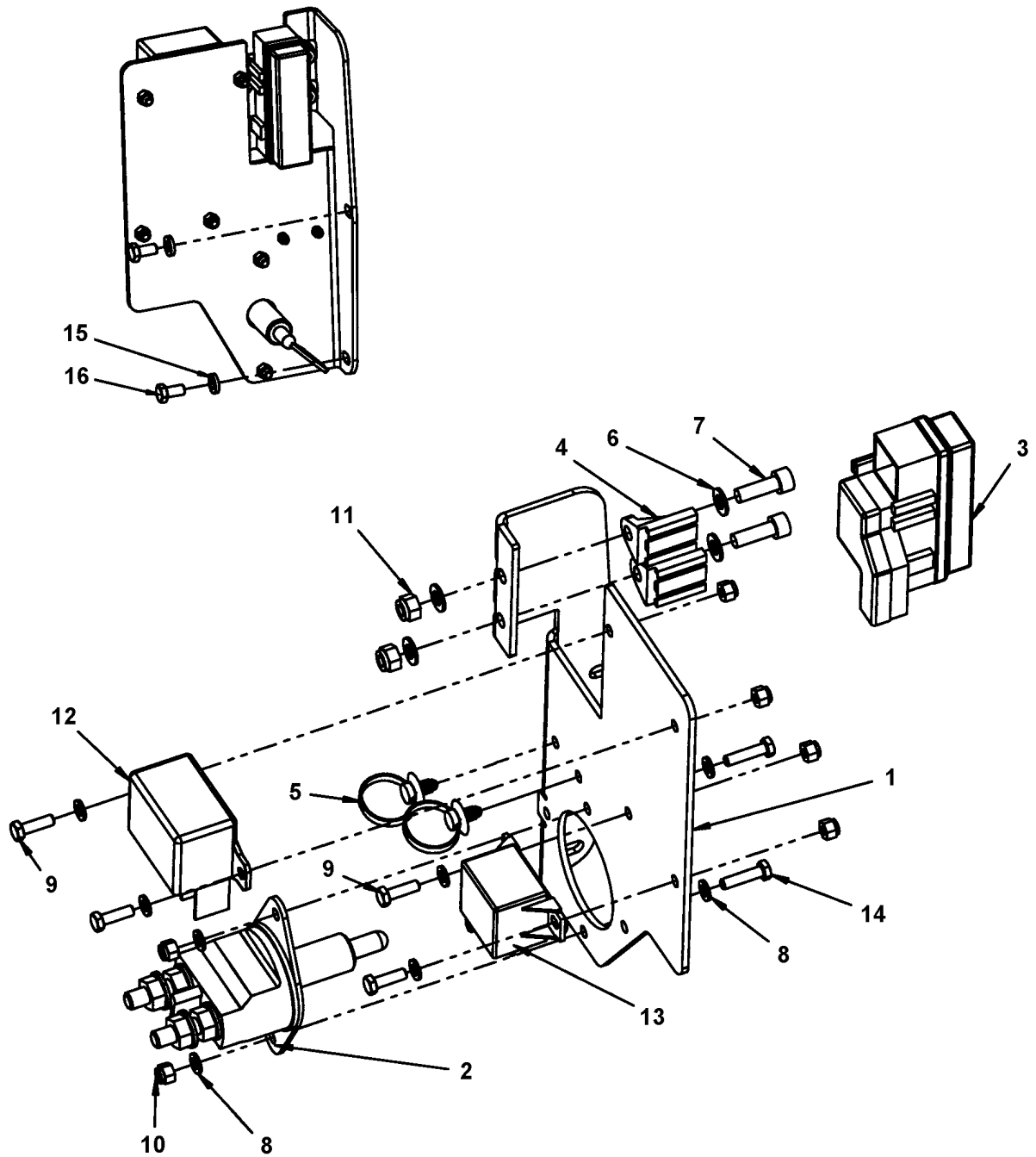
Item	Part No.	Name	Qty	L	SN INFO
1	-	Battery module	2		
2	-	Battery disconnecter module	1		
3	4811000178	Connection cable, coarse	1		
4	4812115912	Connection cable	1		
5	4700792769	Connection cable, coarse	1		
6	4812119062	Connection cable, coarse	1		
7	4811000176	Battery cable	1		
8	4812118752	Battery cable	1		
9	4700791518	Connection cable, coarse	1		
10	4700792441	Cable tie with holder	N		
11	4700904229	Washer, 8.4x 6x1.5 mm 300HV	1		
12	4812118467	Battery union cable	1		
13	4700570005	Hexagon nut	1		
14	4700335607	Connection cable, coarse	1		
15	4700904231	Washer, 13x24x2 mm 300 HV	1		
16	4700500046	Hex. head screw M12x030H	1		
17	4700570101	Nut M6	1		
18	4700792602	Cable tie with holder	1		
19	4812115911	Cable tie with holder	1		
20	4812118154	Spacer	2		
21	4700791450	Fuse 100A Violet High	1		
22	4700904039	Fuse 50A Red	1		
23	4700904037	Fuse 30A Green	1		

Electric cables, power supply, 1-pole Battery module



Item	Part No.	Name	Qty	L	SN INFO
1	-	Battery 12V, 74 Ah (278x175x190)	1		
2	4812123035	Battery holder	1		
3	4700396635	Battery screw	1		
4	4700904229	Washer, 8.4x 6x1.5 mm 300HV	1		
5	4700586003	Lock nut M8	1		
6	4700355608	Slip protection	1		

Electric cables, power supply, 1-pole Battery disconnecter module



Refer to Parts Online for the most up to date information. The printed information might be outdated.

Wed Nov 14 15:03:20 UTC 2018

Item	Part No.	Name	Qty	L	SN INFO
1	4812116861	Holder	1		
2	4700903640	Battery switch	1		
2	4700903641	Battery key	1		
3	4812111981	Fuse holder	1		
4	4812112000	Fuse holder	2		
5	4700792441	Cable tie with holder	2		
6	4700904229	Washer, 8.4x 6x1.5 mm 300HV	4		
7	4700508019	Cylinder screw	2		
8	4700904228	Washer 6,4x12x1,5	8		
9	4700500040	Screw, M6x20 mm 8.8 A2K	4		
10	4700586002	Lock nut M6 -8	6		
11	4700586003	Lock nut M8	2		
12	4700792310	Relay 120A	1	B	
13	4700792309	Relay	1	A	
14	4700500075	Screw, M6-1,0x25 mm 8.8	2		
15	4700904556	Steel plain washer 8,4x16x3,0	2		
16	4700500019	Hexagon screw	2		

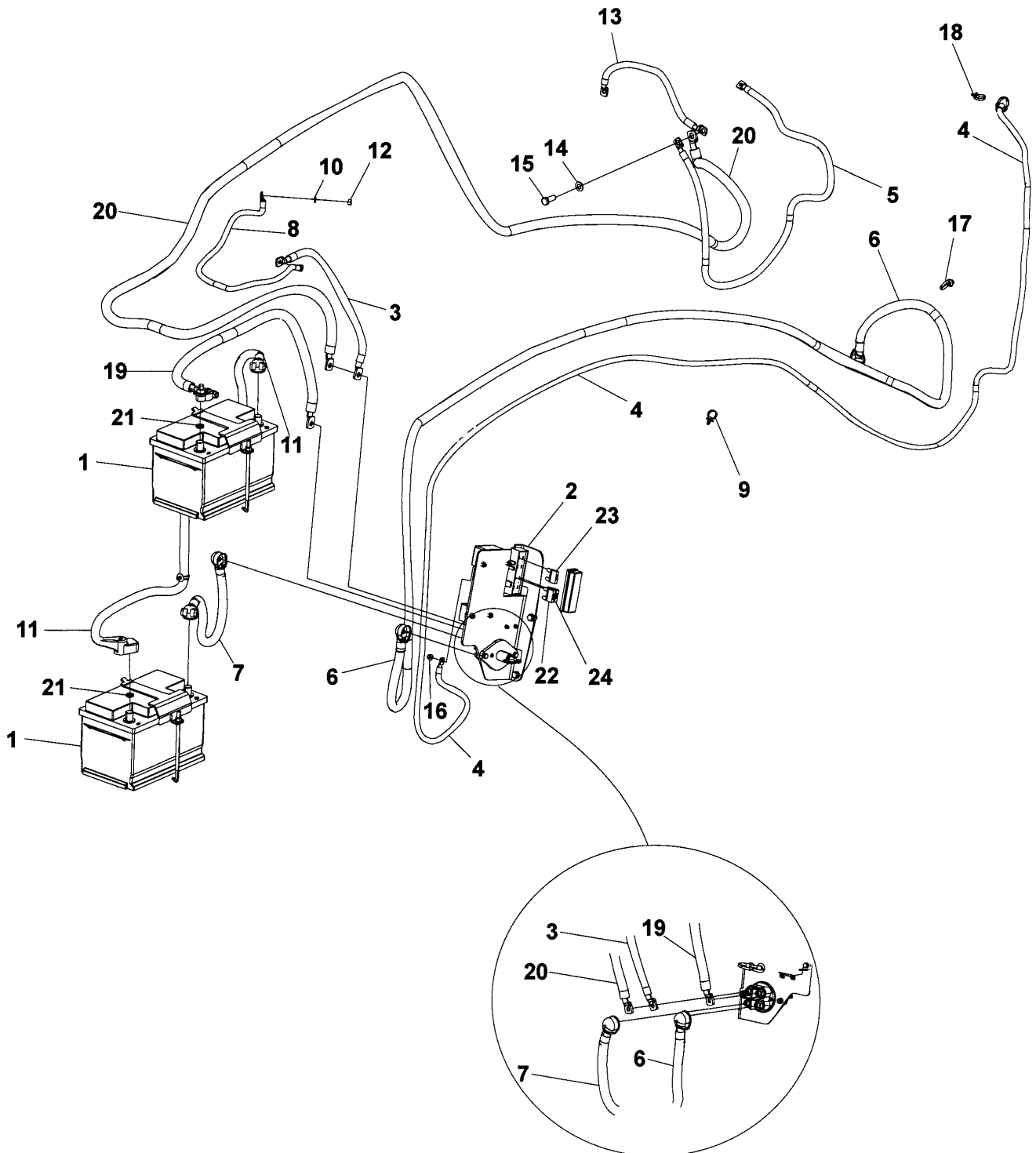
Comments for Page: Battery disconnecter module

(L)OCAL REMARKS

A | en_US | Starter relay.

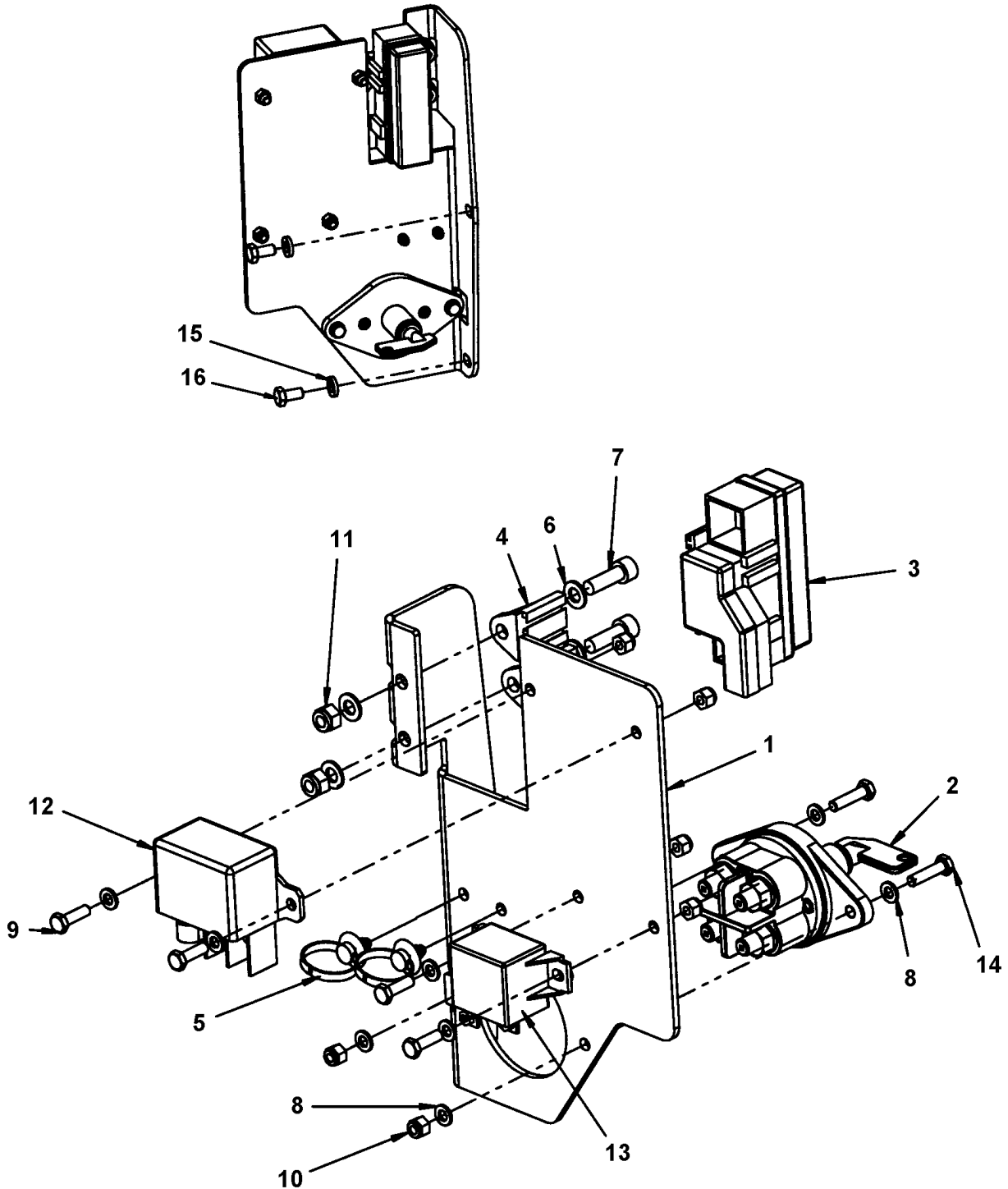
B | en_US | Grid heater relay.

Electric cables, power supply, 2-pole, option Electric cables, power supply, 2-pole, option



Item	Part No.	Name	Qty	L	SN INFO
1	-	Battery module	2		
2	-	Battery disconnecter, 2-pole	1		
3	4812118385	Connection cable, coarse	1		
4	4812115912	Connection cable	1		
5	4700792769	Connection cable, coarse	1		
6	4812119062	Connection cable, coarse	1		
7	4811000176	Battery cable	1		
8	4700791518	Connection cable, coarse	1		
9	4700792441	Cable tie with holder	N		
10	4700904229	Washer, 8.4x 6x1.5 mm 300HV	1		
11	4812118467	Battery union cable	1		
12	4700570005	Hexagon nut	1		
13	4700335607	Connection cable, coarse	1		
14	4700904231	Washer, 13x24x2 mm 300 HV	1		
15	4700500046	Hex. head screw M12x030H	1		
16	4700570101	Nut M6	1		
17	4700792602	Cable tie with holder	1		
18	4812115911	Cable tie with holder	1		
19	4812116362	Battery cable	1		
20	4812116972	Connection cable, coarse	1		
21	4812118154	Spacer	2		
22	4700791450	Fuse 100A Violet High	1		
23	4700904039	Fuse 50A Red	1		
24	4700904037	Fuse 30A Green	1		

Electric cables, power supply, 2-pole, option Battery disconnecter, 2-pole



Refer to Parts Online for the most up to date information. The printed information might be outdated.

Wed Nov 14 15:03:20 UTC 2018

Item	Part No.	Name	Qty	L	SN INFO
1	4812116861	Holder	1		
2	4812116877	Battery switch	1		
3	4812111981	Fuse holder	1		
4	4812112000	Fuse holder	2		
5	4700792441	Cable tie with holder	2		
6	4700904229	Washer, 8.4x 6x1.5 mm 300HV	4		
7	4700508019	Cylinder screw	2		
8	4700904228	Washer 6,4x12x1,5	8		
9	4700500040	Screw, M6x20 mm 8.8 A2K	4		
10	4700586002	Lock nut M6 -8	6		
11	4700586003	Lock nut M8	2		
12	4700792310	Relay 120A	1	B	
13	4700792309	Relay	1	A	
14	4700500075	Screw, M6-1,0x25 mm 8.8	2		
15	4700904556	Steel plain washer 8,4x16x3,0	2		
16	4700500019	Hexagon screw	2		

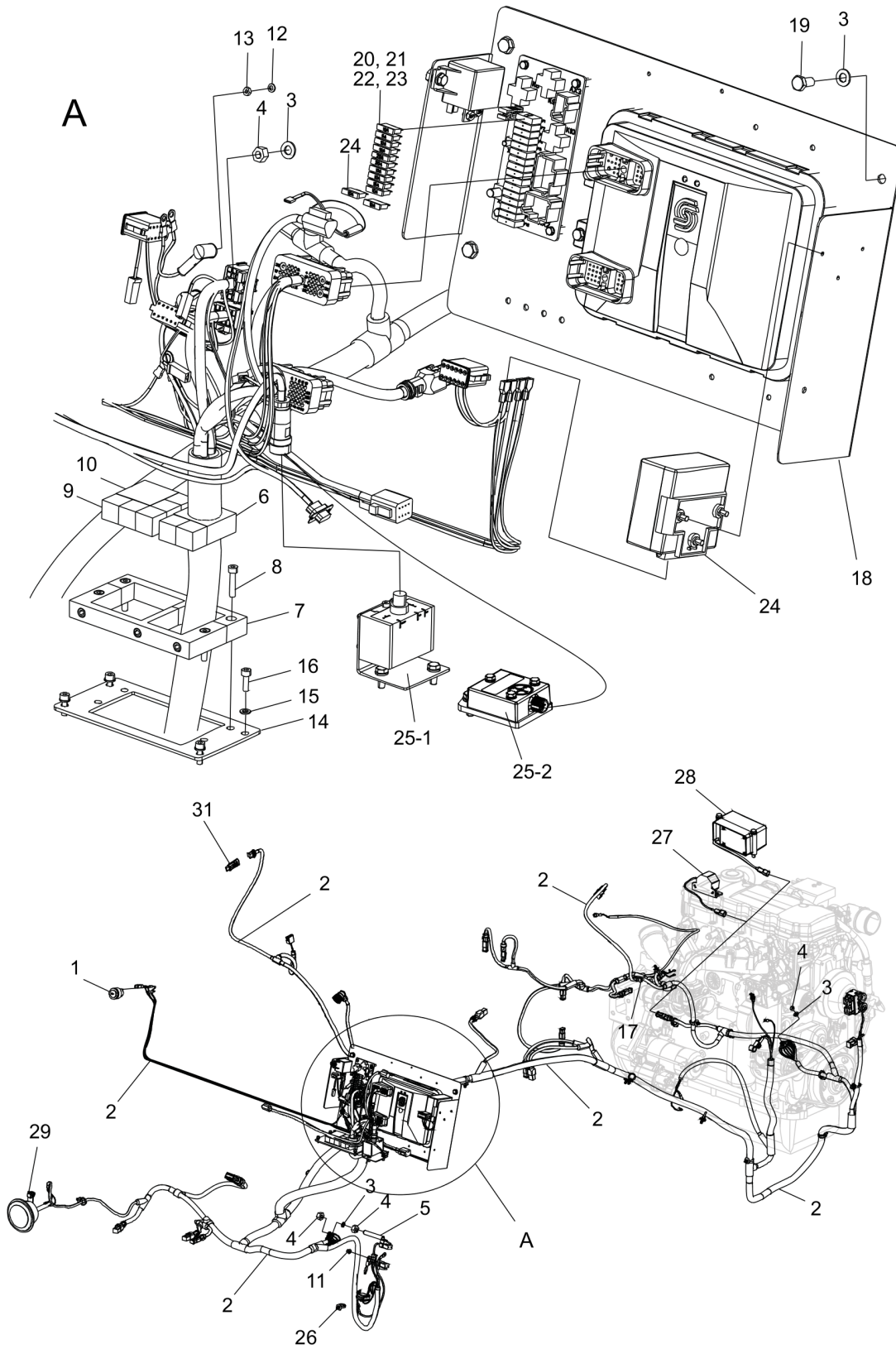
Comments for Page: Battery disconnecter, 2-pole

(L)OCAL REMARKS

A | en_US | Starter relay.

B | en_US | Grid heater relay.

Electrical cables, engine - ECU Horn, back-up alarm Electrical cables, engine - ECU Horn, back-up alarm



Refer to Parts Online for the most up to date information. The printed information might be outdated.

Wed Nov 14 15:03:21 UTC 2018

Item	Part No.	Name	Qty	L	SN INFO
1	4812110560	Power socket 12V	1	A	
2	4812120534	Cable harness	1		
3	4700904229	Washer, 8.4x 6x1.5 mm 300HV	7		
4	4700570005	Hexagon nut	4		
5	0248998073	Threaded stud	1		
6	4812120959	Cable entry insert	1		
7	4812112065	Cable entry frame	1		
8	4700508023	Screw	4		
9	4812112066	Cable entry insert	7		
10	4812112070	Cable entry insert	1		
11	4700902285	Nut	1		
12	4700904698	Plain washer	1		
13	4700570002	Nut M4	1		
14	4812114426	Holder	1		
15	4700904281	Washer, 5,3x10x1 300HV	4		
16	4700926537	Screw	4		
17	4700792537	Cable tie with holder	1		
18	-	Standard ECU assembly	1		
19	4700500019	Hexagon screw	4		
20	4700901225	Fuse 5A Tan	1		
21	4700901227	Fuse 10A Red	7		
22	4700903741	Fuse 20A Yellow	2		
23	4700901228	Fuse, 15A Blue	1		
24	-	Power converter module	1		
25-1	-	Inclination sensor module	1		To A017098
25-2		Inclination sensor module	1		From A017099
26	4700792441	Cable tie with holder	N		
27	-	Back-up alarm module	1		
28	-	Back-up alarm module	1	B	
29	-	Horn module	1		
30	-	Bracket module	1		
31	4812120672	Plug with resistor	1		

Comments for Page: Electrical cables, engine - ECU Horn, back-up alarm

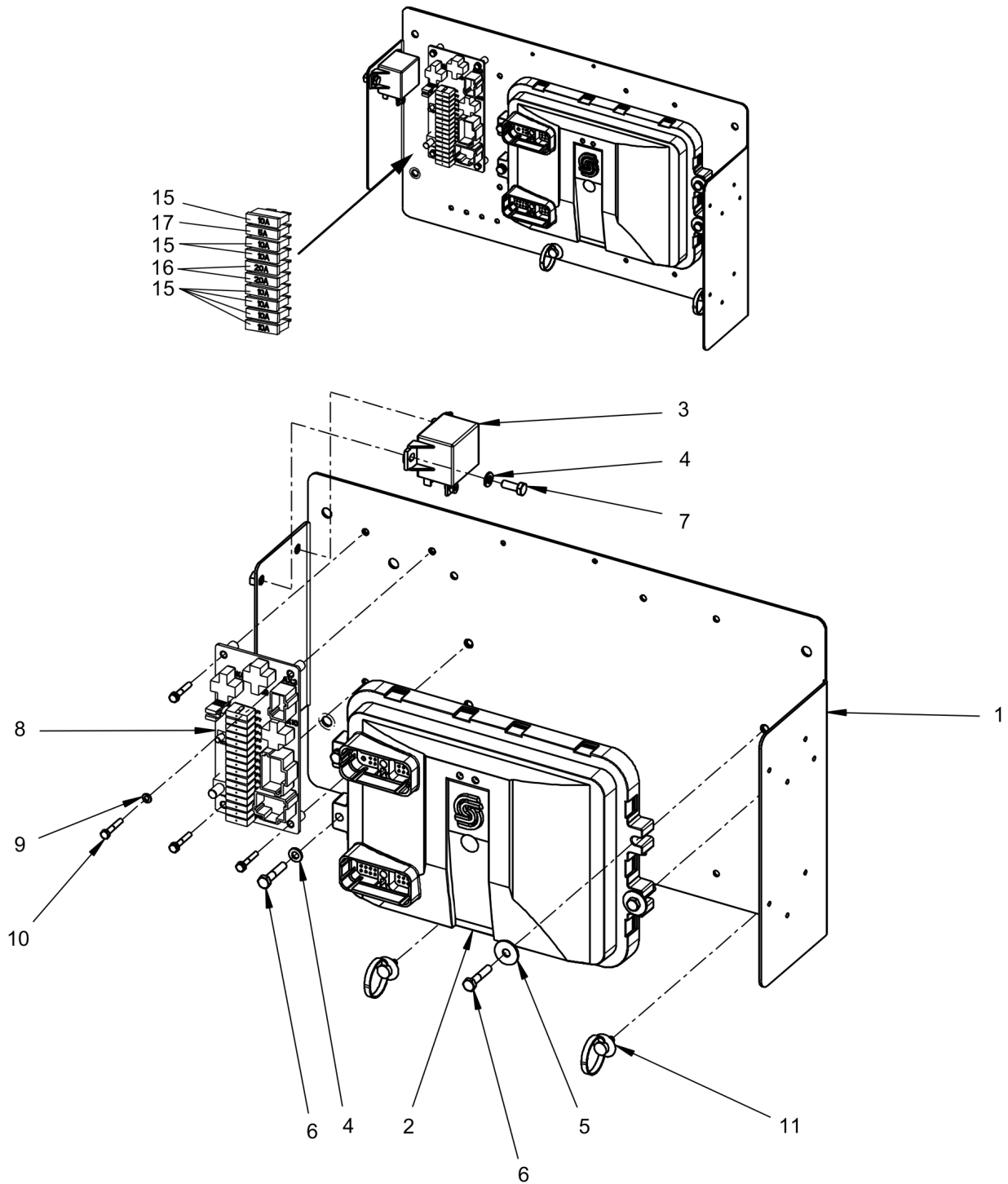
(L)OCAL REMARKS

A | en_US | Option.

B | en_US | Quacker.

This page intentionally left blank

Electrical cables, engine - ECU Horn, back-up alarm Standard ECU assembly



Refer to Parts Online for the most up to date information. The printed information might be outdated.

Wed Nov 14 15:03:22 UTC 2018

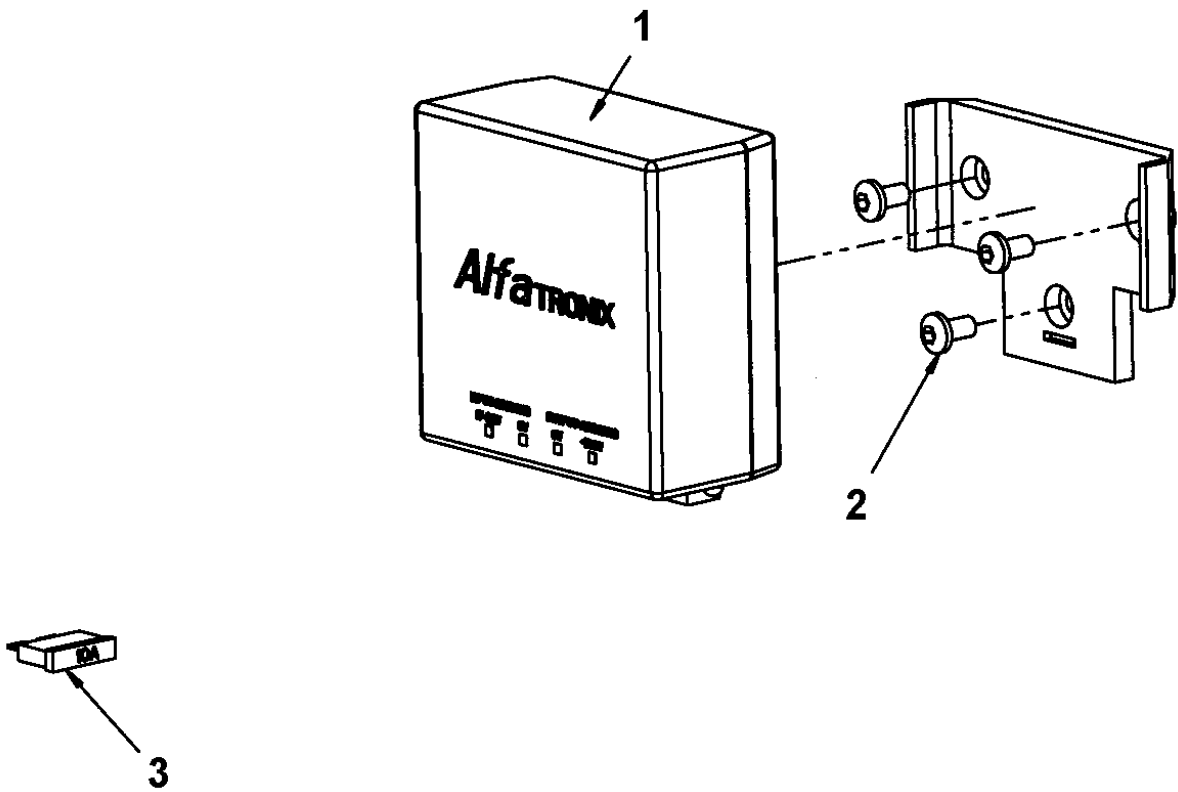
Item	Part No.	Name	Qty	L	SN INFO
1	4812114619	Mounting plate	1		
2	4700390860	Control unit, main	1		
3	4700792309	Relay	1	A	
4	4700904228	Washer 6,4x12x1,5	4		
5	4700928467	Washer	2		
6	4700500015	Hex. screw	4		
7	4700500013	Screw, M6x16 mm 8.8 A2K	2		
8	4812114655	Circuit board	1		
9	4700904698	Plain washer	4		
10	4700904312	Screw	4		
11	4700792441	Cable tie with holder	2		
15	4700901227	Fuse 10A Red	7		
16	4700903741	Fuse 20A Yellow	2		
17	4700901225	Fuse 5A Tan	1		

Comments for Page: Standard ECU assembly

(L)OCAL REMARKS

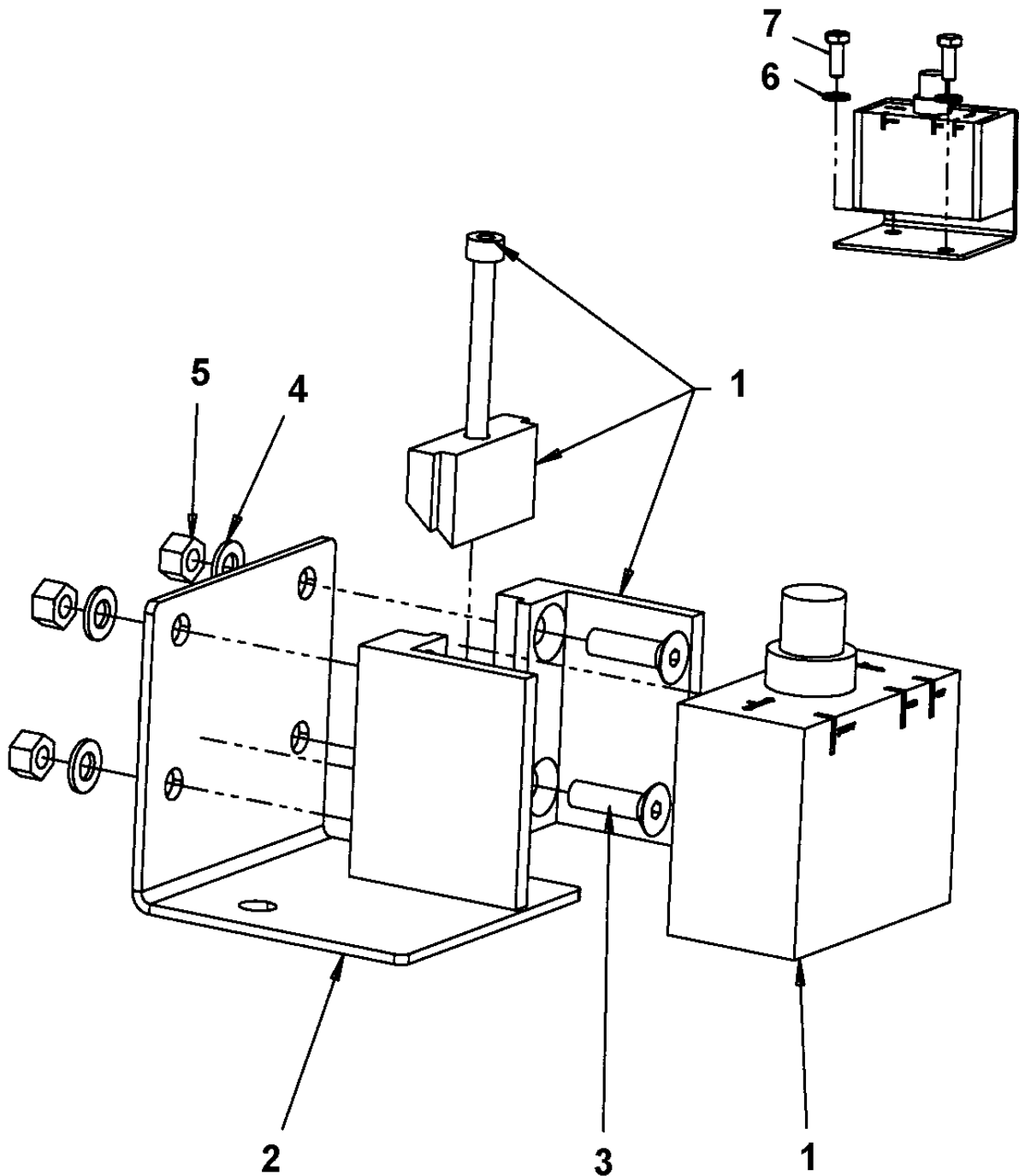
A | en_US | Main.

Electrical cables, engine - ECU Horn, back-up alarm Power converter module



Item	Part No.	Name	Qty	L	SN INFO
1	4812112017	Power converter	1		
2	4700792210	Screw torx	3		
3	4700901227	Fuse 10A Red	1		

Electrical cables, engine - ECU Horn, back-up alarm Inclination sensor module

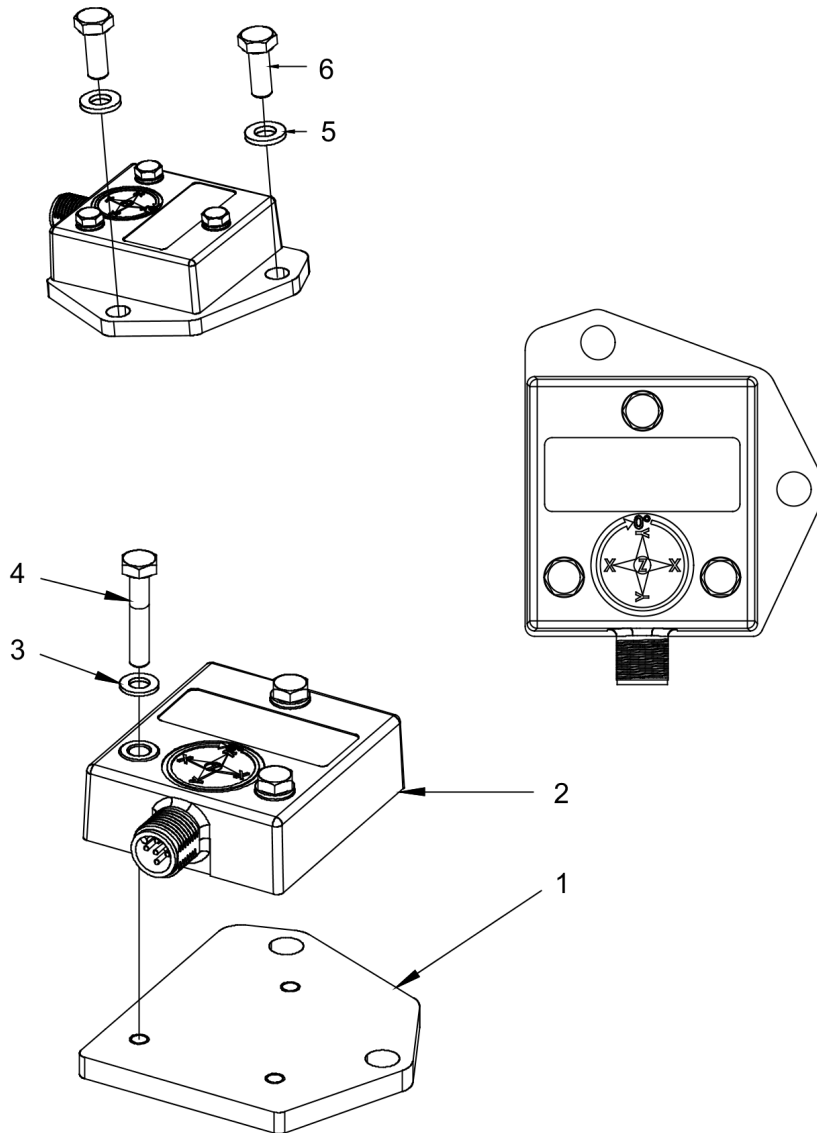


Refer to Parts Online for the most up to date information. The printed information might be outdated.

Wed Nov 14 15:03:22 UTC 2018

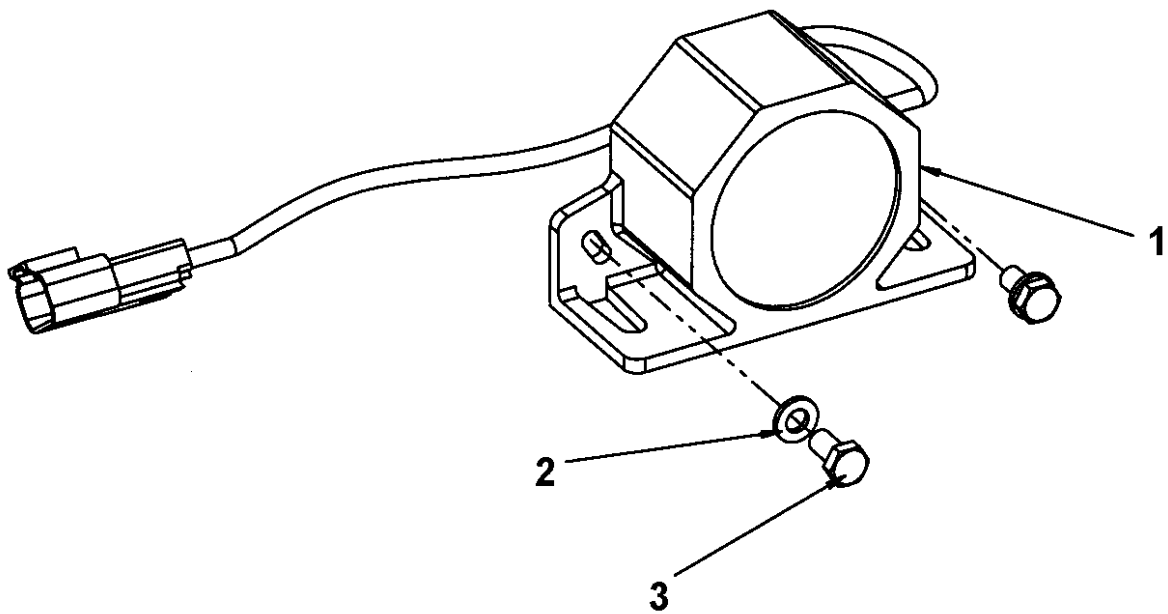
Item	Part No.	Name	Qty	L	SN INFO
1	4812112686	Inclination sensor	1		
2	4812112691	Holder	1		
3	4700904504	Screw M5 x 18	4		
4	4700904281	Washer, 5,3x10x1 300HV	4		
5	4700570003	Hex. nut	4		
6	4700904228	Washer 6,4x12x1,5	2		
7	4700500013	Screw, M6x16 mm 8.8 A2K	2		

Electrical cables, engine - ECU Horn, back-up alarm Inclination sensor module



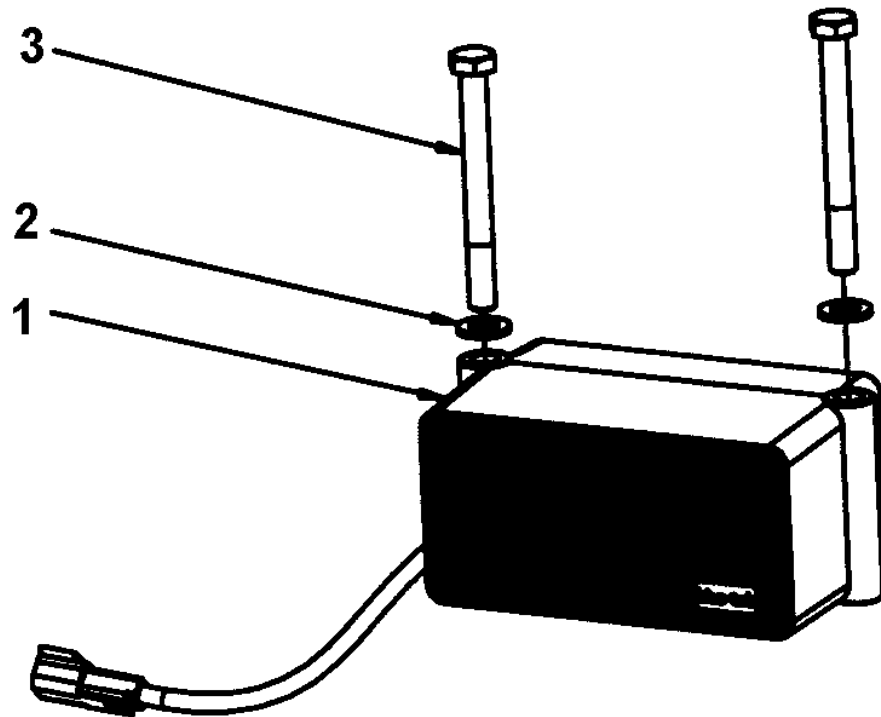
Item	Part No.	Name	Qty	L	SN INFO
1	4812124239	Bracket	1		
2	4812124238	Inclination sensor	1		
3	4700904698	Plain washer	3		
4	4700904311	Hexagon head screw	3		
5	4700904228	Washer 6,4x12x1,5	2		
6	4700500013	Screw, M6x16 mm 8.8 A2K	2		

Electrical cables, engine - ECU Horn, back-up alarm Back-up alarm module



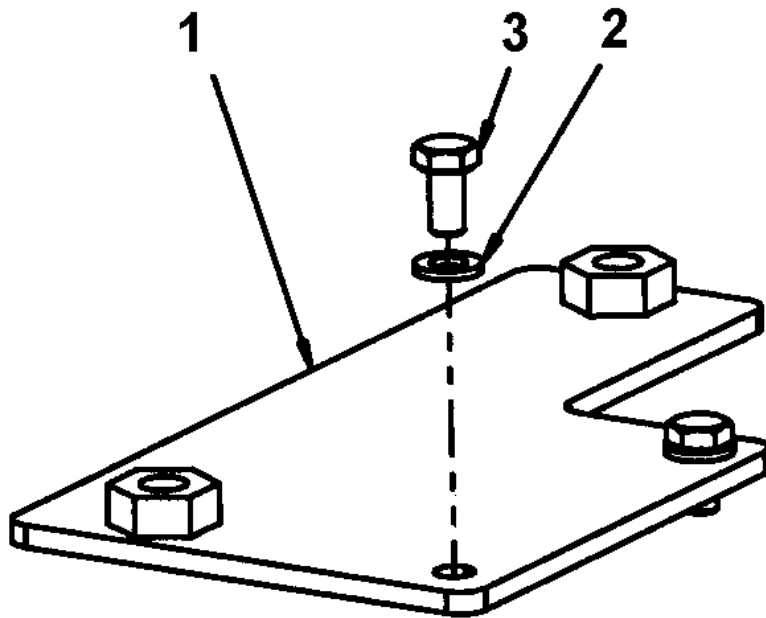
Item	Part No.	Name	Qty	L	SN INFO
1	4700904911	Back-up alarm	1		
2	4700904228	Washer 6,4x12x1,5	2		
3	4700500013	Screw, M6x16 mm 8.8 A2K	2		

Electrical cables, engine - ECU Horn, back-up alarm Back-up alarm module, Quacker



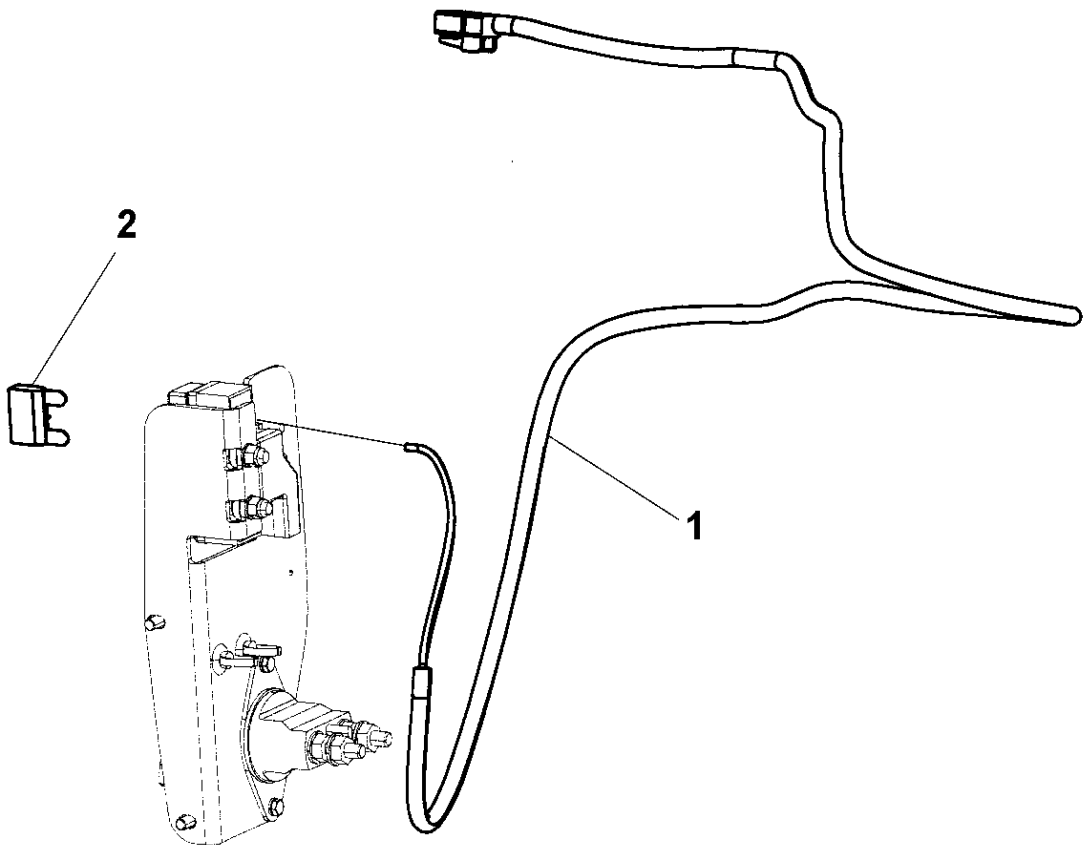
Item	Part No.	Name	Qty	L	SN INFO
1	4812117108	Back-up alarm	1		
2	4700904570	Steel plain washer	2		
3	4700792776	Screw	2		

Electrical cables, engine - ECU Horn, back-up alarm Bracket module



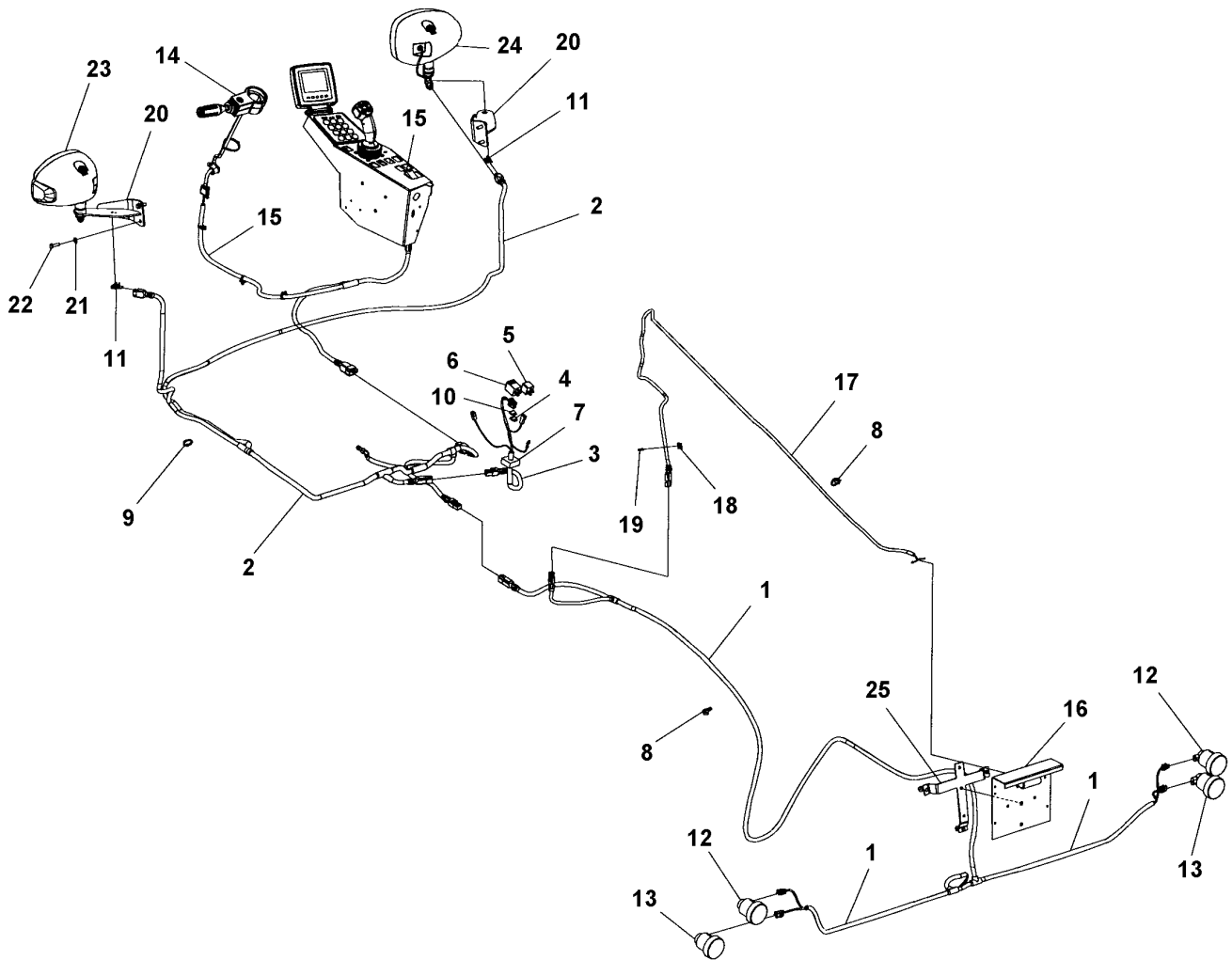
Item	Part No.	Name	Qty	L	SN INFO
1	4812117149	Bracket	1		
2	4700904228	Washer 6,4x12x1,5	2		
3	4700500012	Hex. screw	2		

Electric equipment Cable harness kit Power supply cab



Item	Part No.	Name	Qty	L	SN INFO
1	4812111241	Cable harness	1		
2	4700904037	Fuse 30A Green	1		

Driving & side direction lights, number plate light, option Driving & side direction lights, number plate light, option



Refer to Parts Online for the most up to date information. The printed information might be outdated.

Wed Nov 14 15:03:23 UTC 2018

Item	Part No.	Name	Qty	L	SN INFO
1	4812110884	Cable harness	1		
2	4812112374	Cable harness	1		
3	4812114656	Cable harness	1		
4	4700901227	Fuse 10A Red	1		
5	4700792422	Relay 24V 20A	1		
6	4811000163	Flash relay	1		
7	4811000429	Cable entry insert	1		
8	4700792441	Cable tie with holder	26		
9	4700313041	Cable ties	11		
10	4700901226	Fuse 7.5A Brown	1		
11	4812114873	Connector holder	2		
12	4700792520	Direction indicator	2		
13	4700792519	Brake/position light	2		
14	-	Steering column switch module	1		
15	-	Cable harness kit	1		
16	-	Registration plate light module	1		
17	4812112916	Cable harness	1		
18	4700395352	Cable tie holder	5		
19	4700313068	Cable ties, L=92 mm	5		
20	4812112793	Bracket	2		
21	4700904229	Washer, 8.4x 6x1.5 mm 300HV	4		
22	4700500021	Screw, M8x25 mm 8.8 A2K	4		
23	4812113117	Head light, right hand asymmetric	1	A	
23	4812113140	Head light, left hand asymmetric	1	A	
24	4812113118	Head light, right hand asymmetric	1	B	
24	4812113141	Head light, left hand asymmetric	1	B	
25	-	Holder, Registration plate light	1		

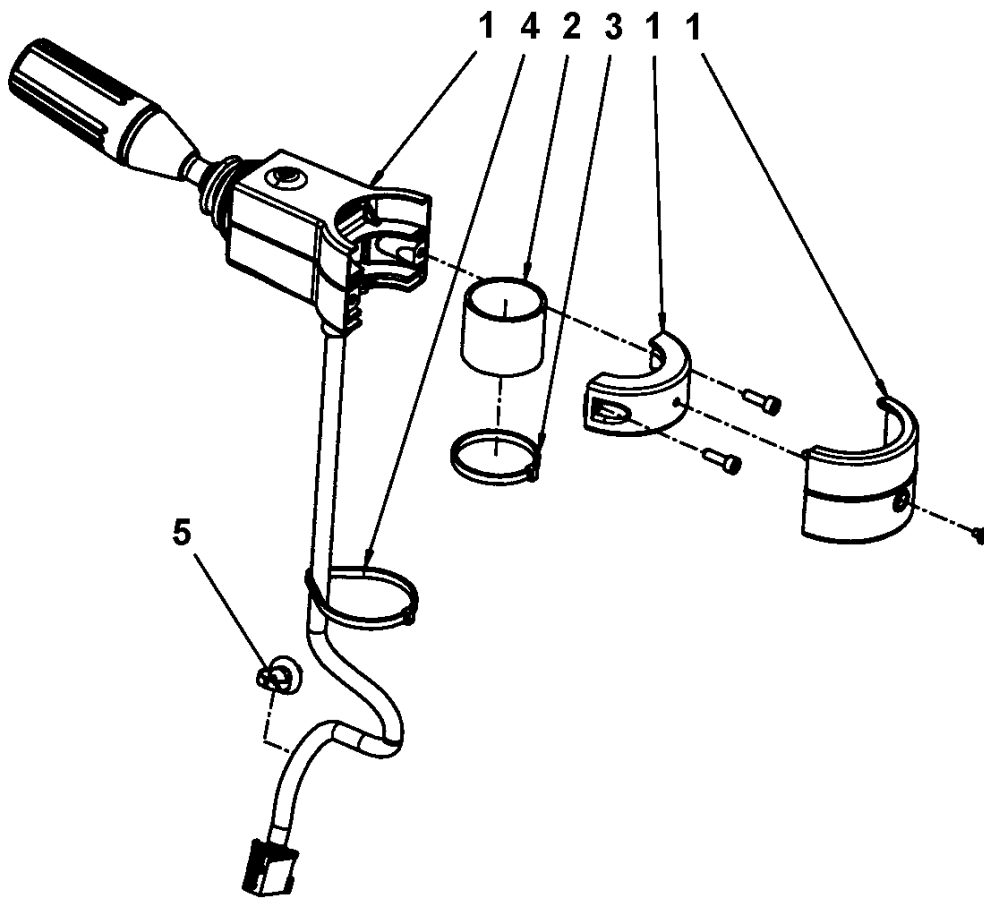
Comments for Page: Driving & side direction lights, number plate light, option

(L)OCAL REMARKS

A | en_US | Left

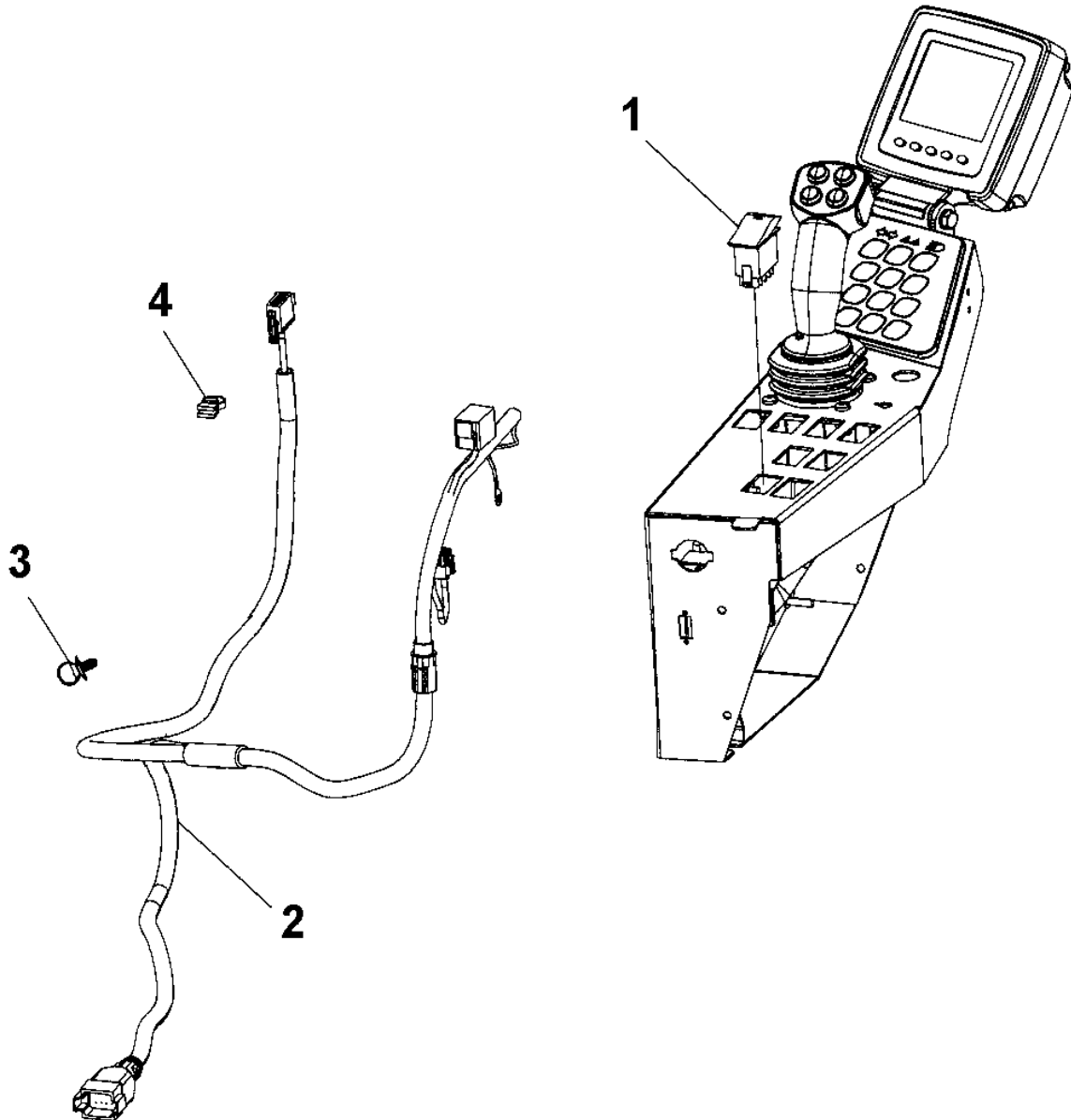
B | en_US | Right

Driving & side direction lights, number plate light, option Steering column switch module



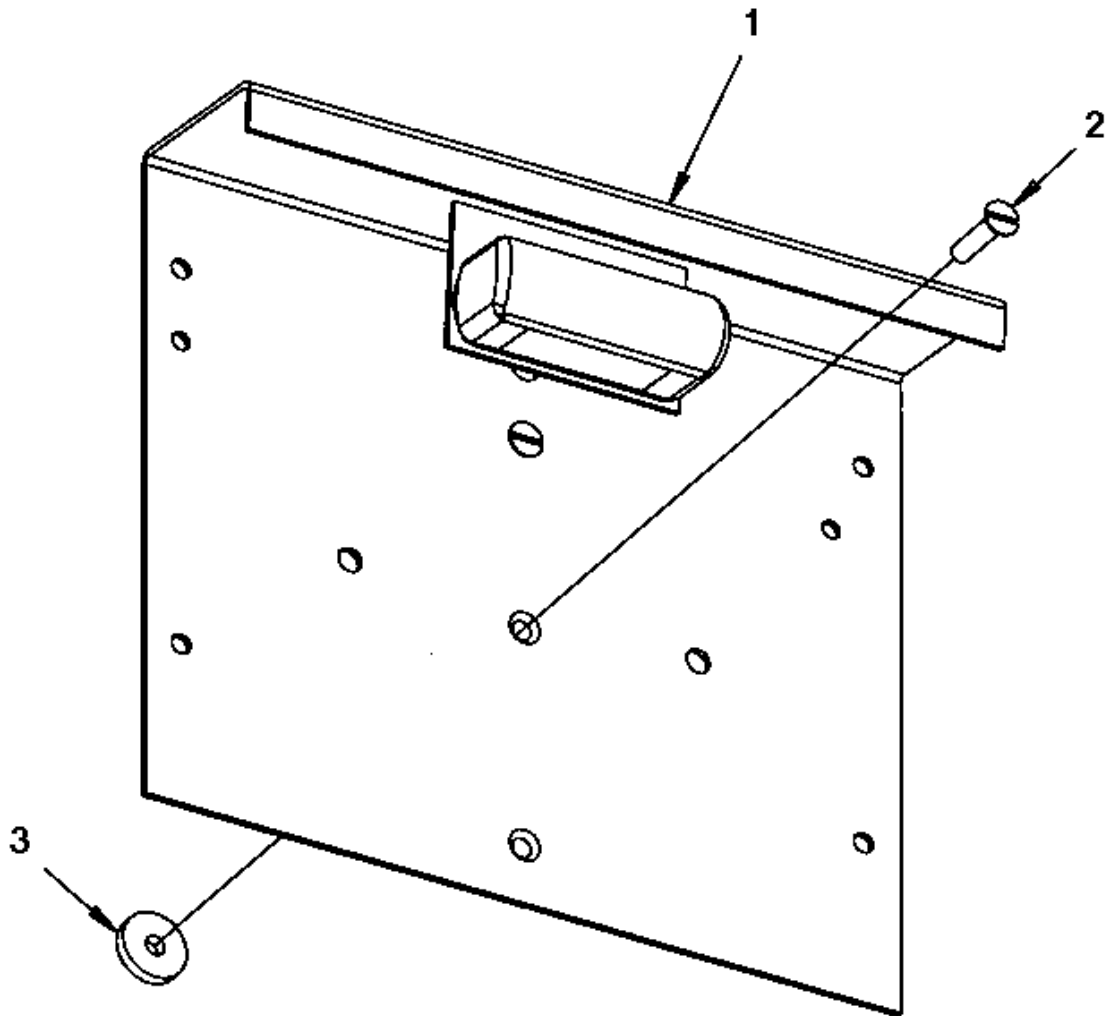
Item	Part No.	Name	Qty	L	SN INFO
1	4700392450	Steering column switch	1		
2	4700392451	Rubber cloth	1		
3	4700313041	Cable ties	1		
4	4700792609	Cable ties	1		
5	4700921080	Clamp	1		

Driving & side direction lights, number plate light, option Cable harness kit



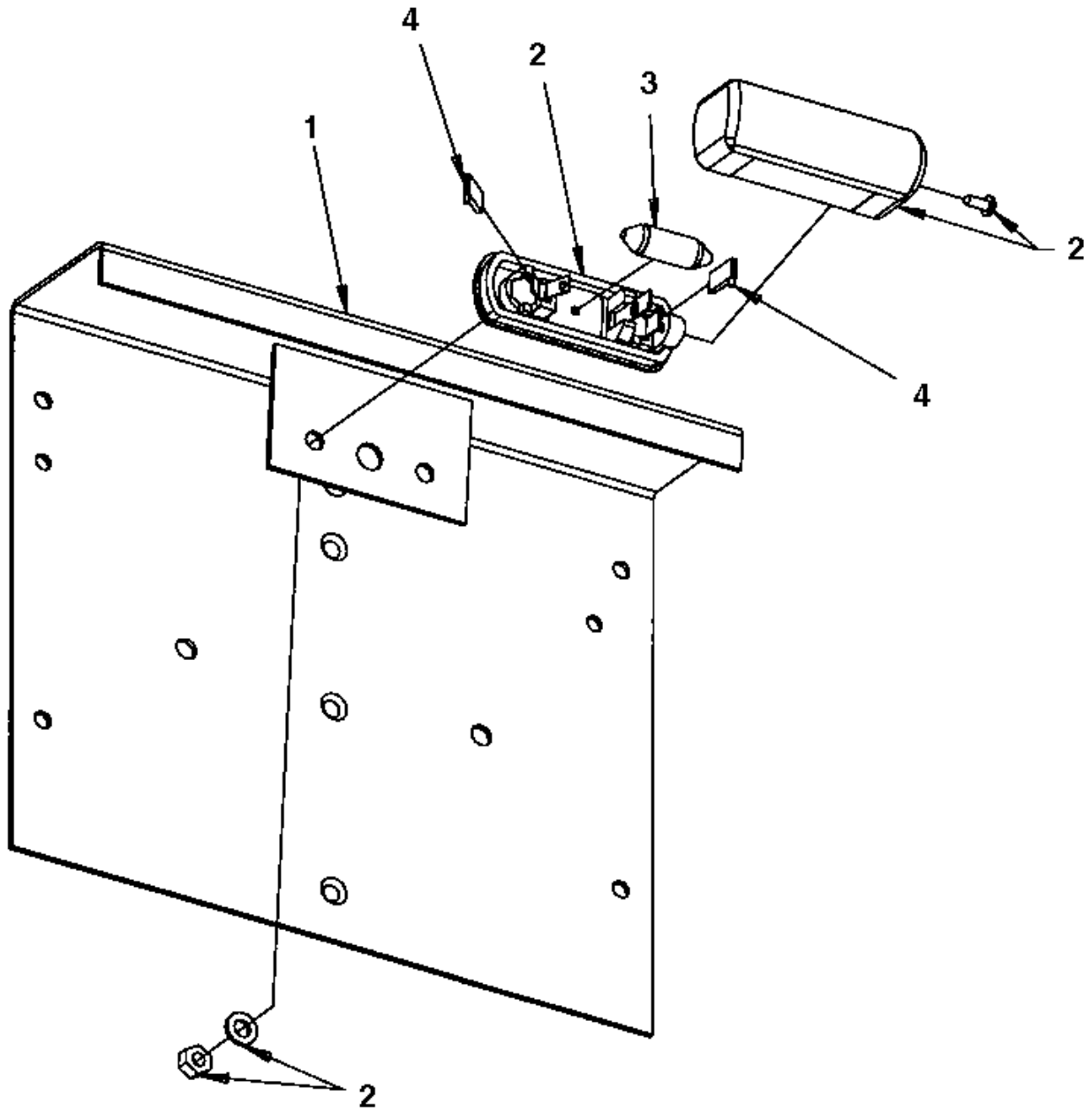
Item	Part No.	Name	Qty	L	SN INFO
1	4700792398	Switch	1		
2	4812111248	Cable harness	1		
3	4700792441	Cable tie with holder	2		
4	4700792537	Cable tie with holder	1		

Driving & side direction lights, number plate light, option Registration plate light module



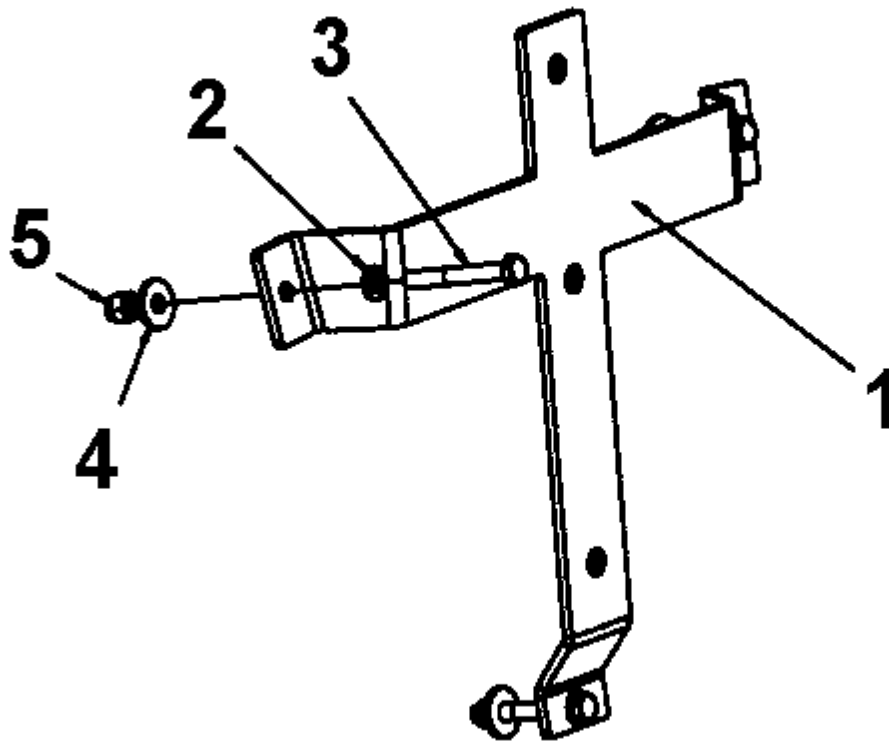
Item	Part No.	Name	Qty	L	SN INFO
1	-	Registration plate light	1		
2	4700928784	Screw	2		
3	4700904735	Steel plain washer	2		

Driving & side direction lights, number plate light, option Registration plate light



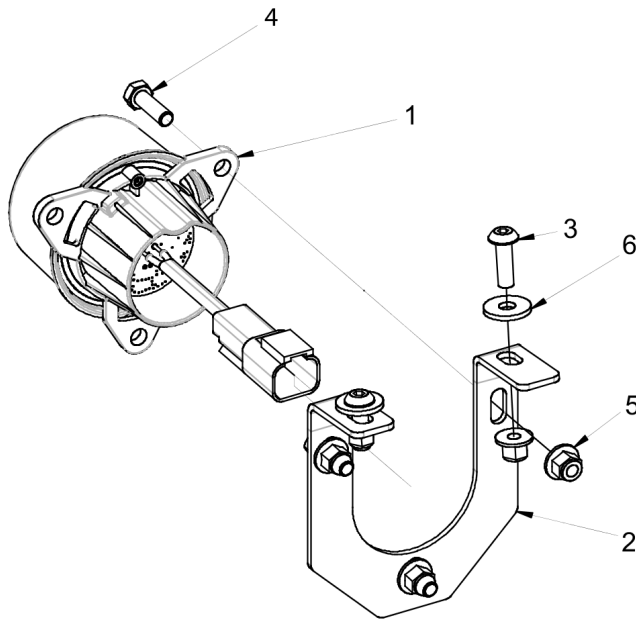
Item	Part No.	Name	Qty	L	SN INFO
1	4700355797	Licence plate holder	1		
2	4700929455	Licence plate light	1		
3	4700792354	Bulb 24V 5W	1		
4	4700792035	Push-on terminal	2		

Driving & side direction lights, number plate light, option Holder, Registration plate light



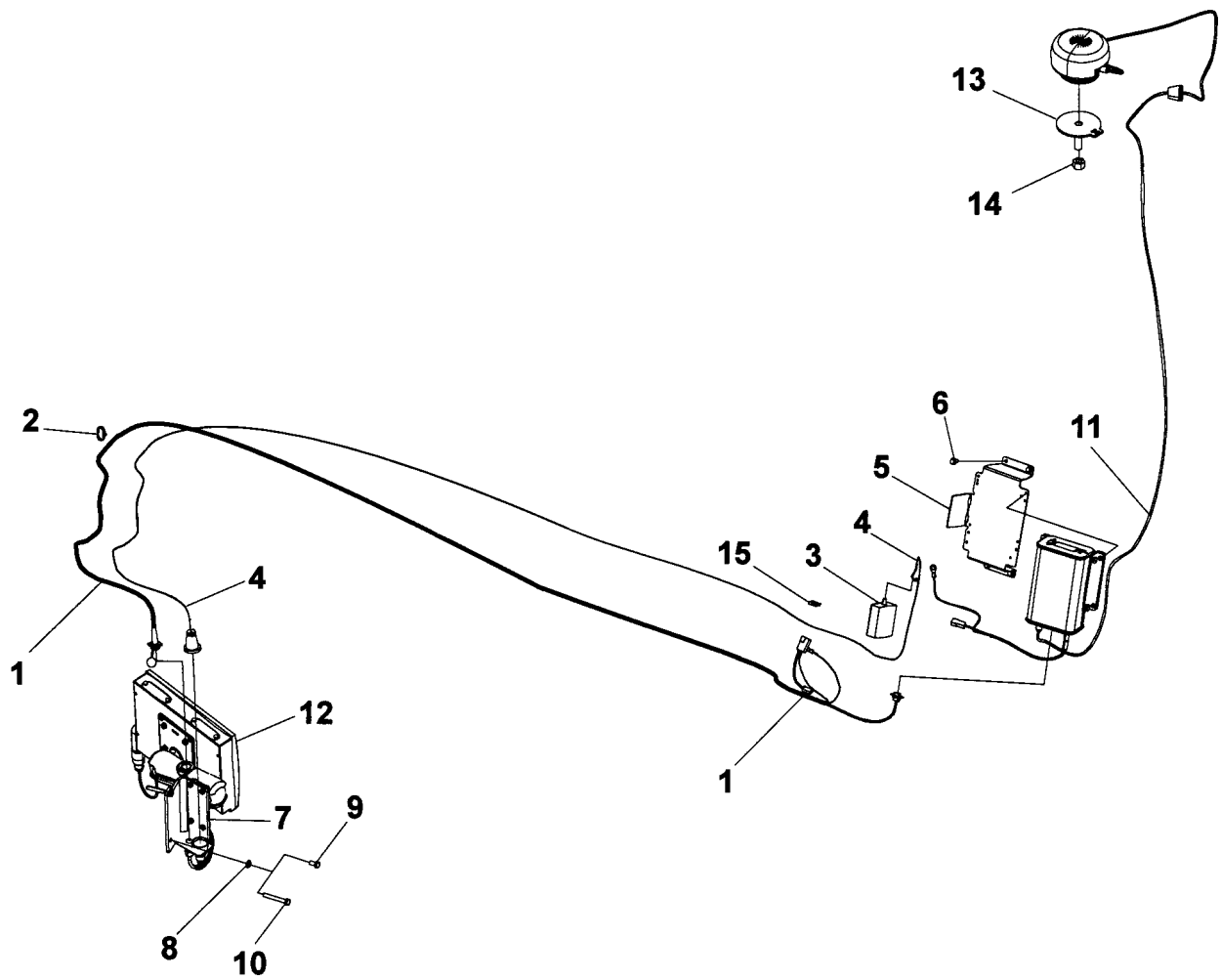
Item	Part No.	Name	Qty	L	SN INFO
1	4812112924	Holder	1		
2	4700904281	Washer, 5,3x10x1 300HV	3		
3	4700500010	Screw	3		
4	4700601001	Washer	3		
5	4700586001	Lock nut	3		

Electric equipment Reversing light module



Item	Part No.	Name	Qty	L	SN INFO
1	4812120334	Reverse light LED	1		
2	4812120790	Bracket	1		
3	4700904653	Screw M5x16 A2-70	2		
4	4700500006	Screw M5x16	3		
5	4700902284	Nut M5	5		
6	4700601001	Washer	2		

DCA/GPS equipment module, option DCA/GPS equipment module, option



Refer to Parts Online for the most up to date information. The printed information might be outdated.

Wed Nov 14 15:03:24 UTC 2018

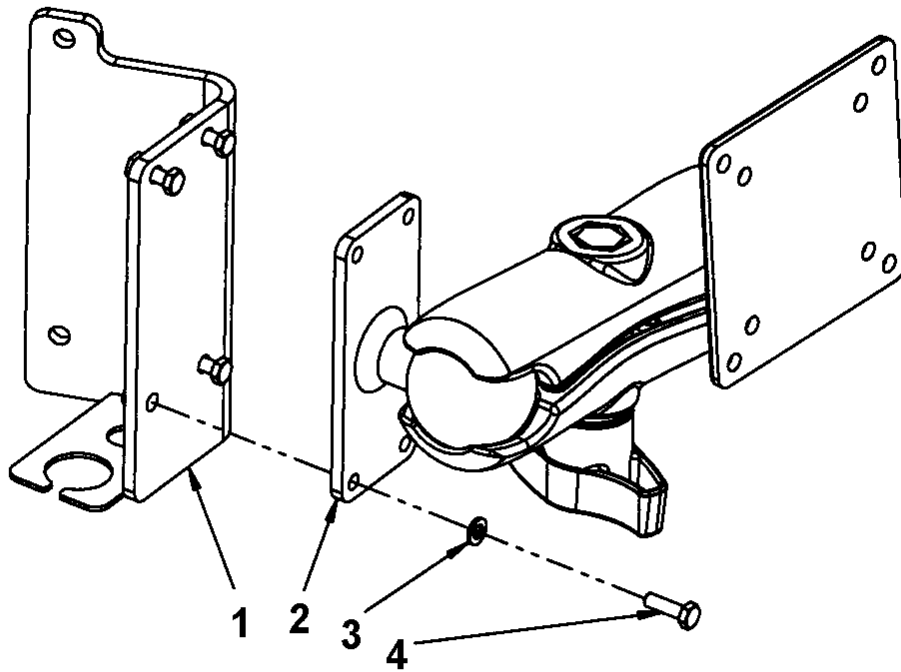
Item	Part No.	Name	Qty	L	SN INFO
1	4812113167	Cable harness	1		
2	4700313041	Cable ties	6		
3	4700792660	Gateway CAN/BUS	1		
4	4812115093	Cable harness	1		
5	4700394276	Bracket	1		
6	4700541702	Screw M6x12	4		
7	-	Holder	1		
8	4700904229	Washer, 8.4x 6x1.5 mm 300HV	2		
9	4700500019	Hexagon screw	2		
10	4700500026	Screw M8-1,25x60 mm 8.8	2	A	
11	-	GPS equipment module	1		
12	-	Computer	1		
13	4700394275	Bracket	1		
14	4700570008	Hex. nut	1		
15	4700901227	Fuse 10A Red	1		

Comments for Page: DCA/GPS equipment module, option

(L)OCAL REMARKS

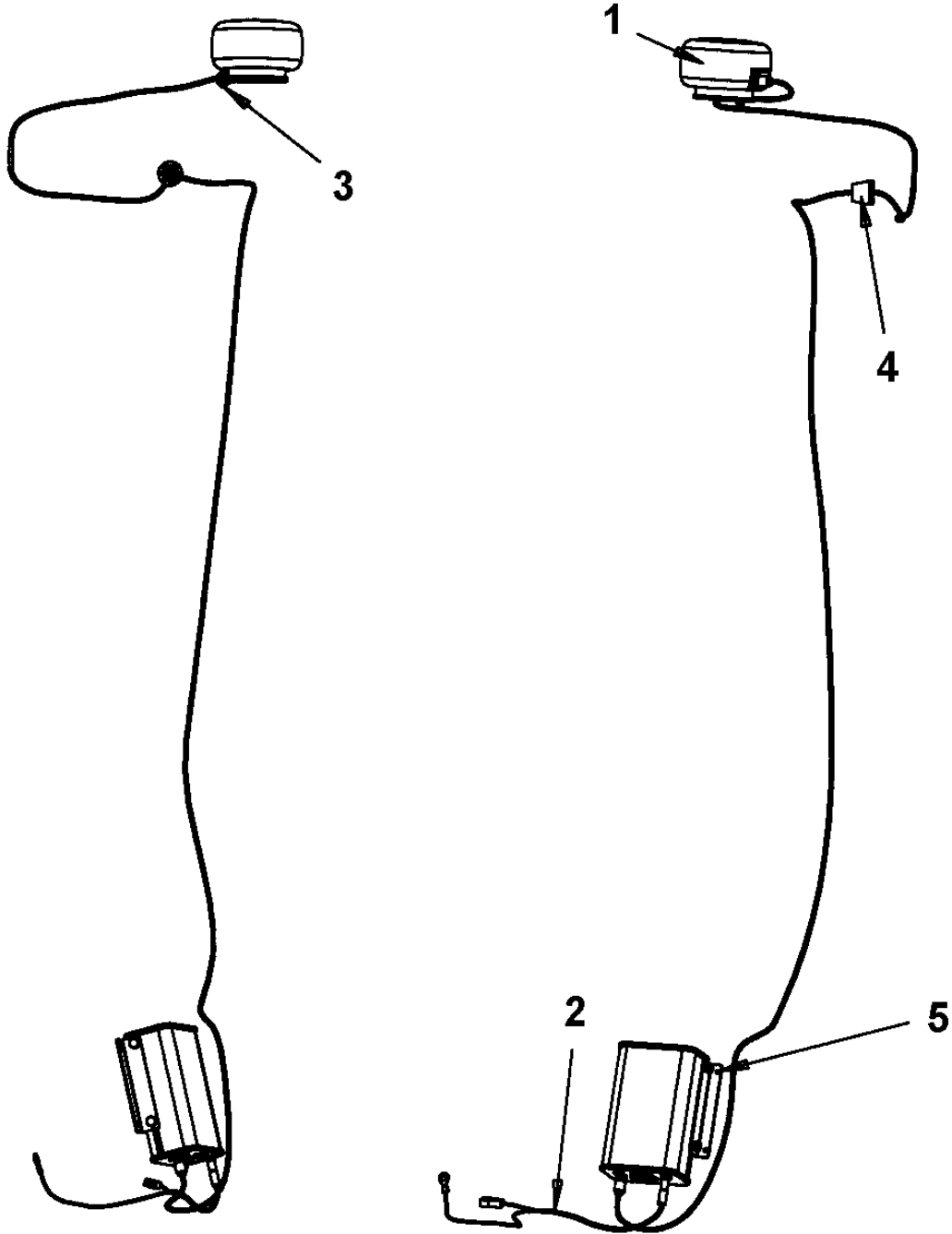
A | en_US | Used with comfort cab.

DCA/GPS equipment module, option Holder



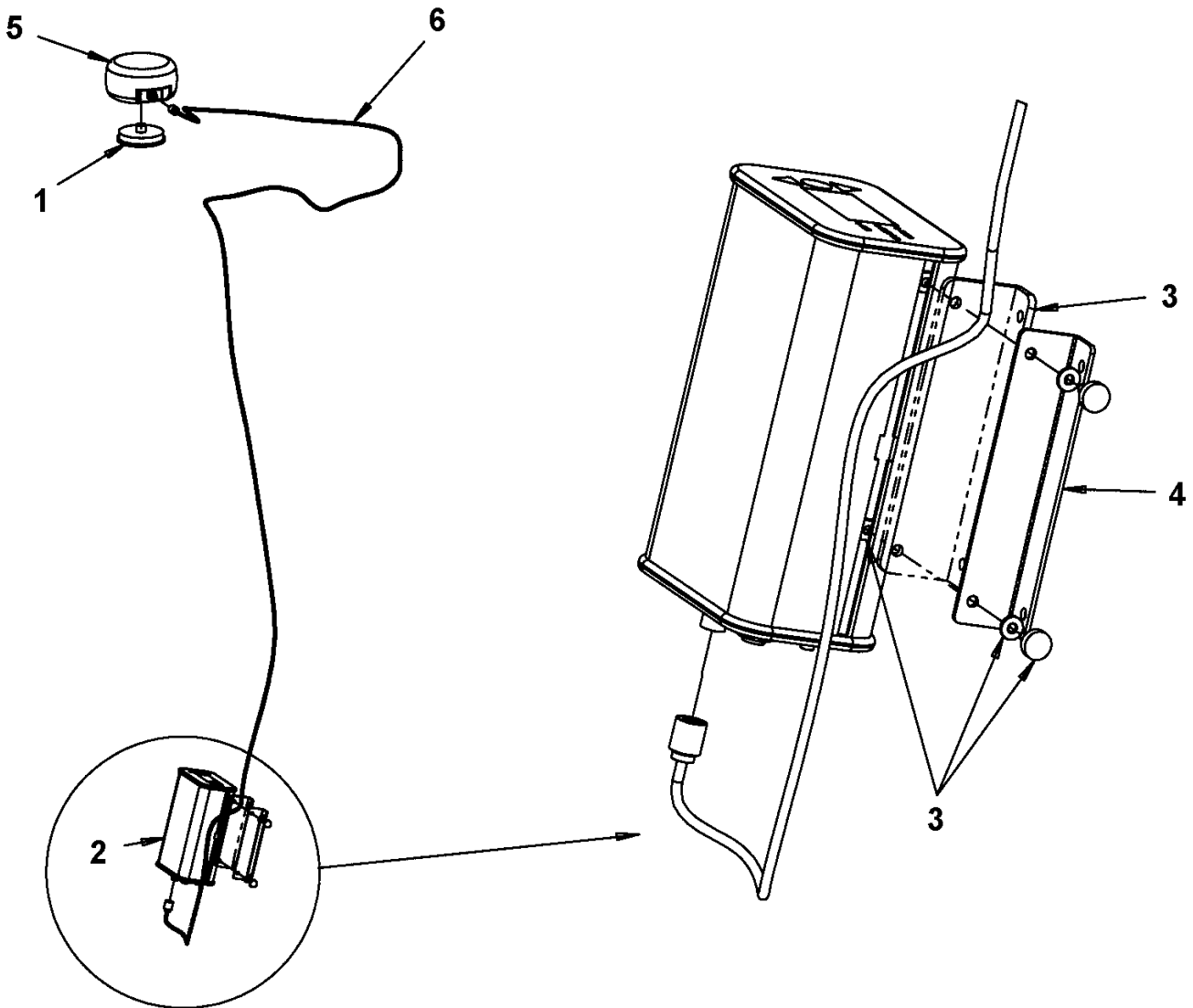
Item	Part No.	Name	Qty	L	SN INFO
1	4700395888	Bracket	1		
2	4700394542	Ball joint	1		
3	4700904228	Washer 6,4x12x1,5	4		
4	4700500040	Screw, M6x20 mm 8.8 A2K	4		

DCA/GPS equipment module, option GPS equipment module



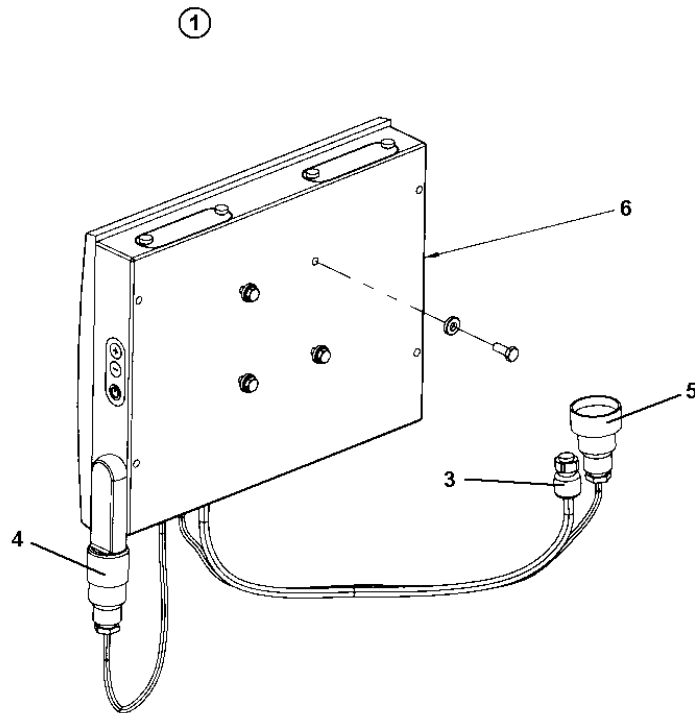
Item	Part No.	Name	Qty	L	SN INFO
1	-	GPS equipment assy	1		
2	4812113238	Cable harness	1		
3	4700313041	Cable ties	N		
4	4700792392	Grommet with membrane	1		
5	4700792210	Screw torx	4		

DCA/GPS equipment module, option GPS equipment assy



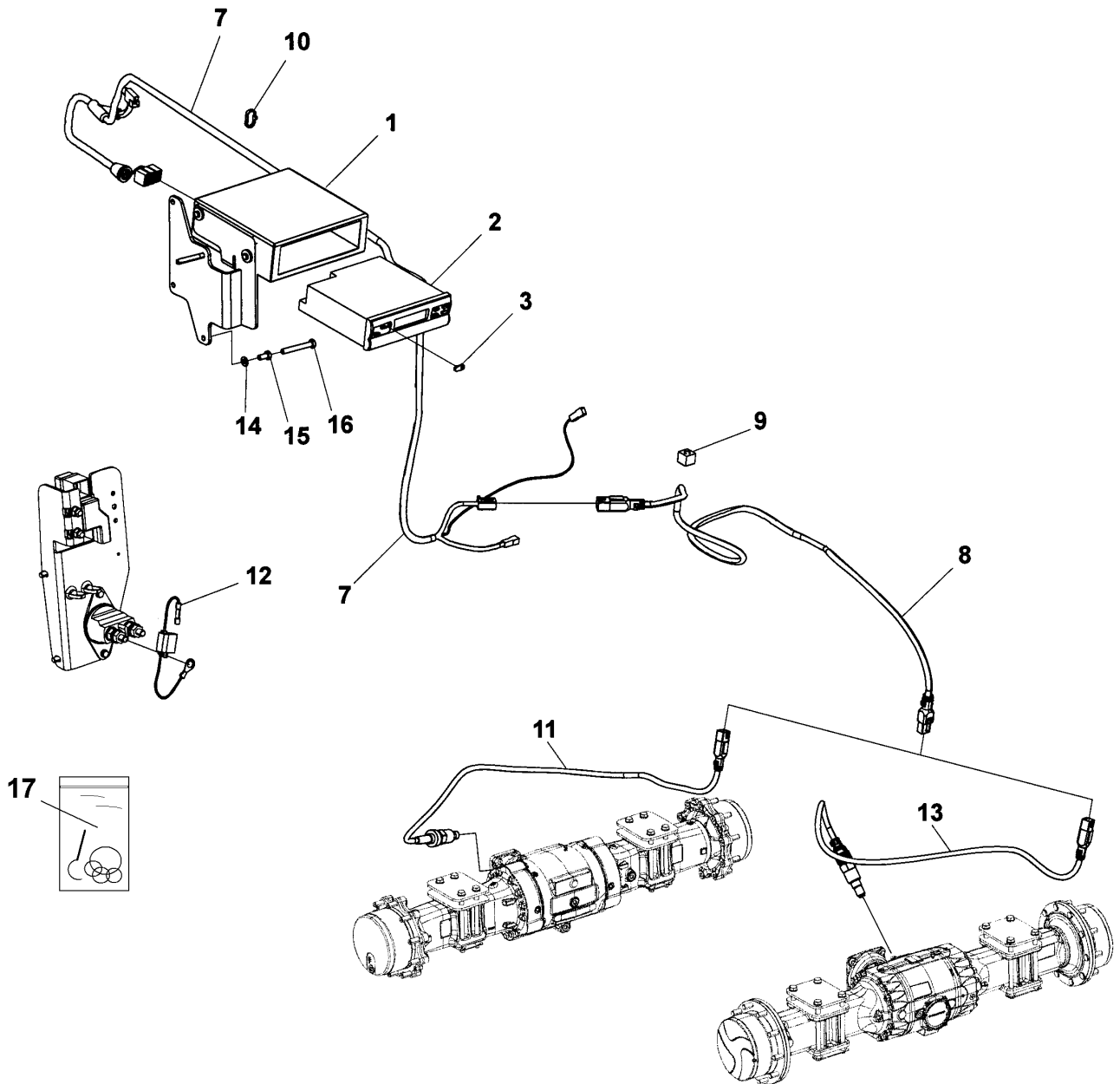
Item	Part No.	Name	Qty	L	SN INFO
1	4812113160	Bracket	1		
2	4812114146	Reciever	1		
3	4811000395	Bracket	1		
4	4812114156	Holder	2		
5	4812113058	Antenna	1		
6	4812113158	Antenna lead	1		

DCA/GPS equipment module, option Computer



Item	Part No.	Name	Qty	L	SN INFO
1	4700396119	Computer, cpl.	1		
2	4700792795	Voltage adapter	1		
3	4700792761	Power and serial cable	1		
4	4700792762	USB cable L = 300mm	1		
5	4700792763	USB cable L = 500mm	1		
6	4700396536	Computer	1		

Tachograph, option Tachograph, option



Refer to Parts Online for the most up to date information. The printed information might be outdated.

Wed Nov 14 15:03:24 UTC 2018

Item	Part No.	Name	Qty	L	SN INFO
1	-	Holder assy	1		
2	4811000292	Tachograph	1		
3	4811000529	Cover cap	1		
7	4812112417	Cable harness	1		
8	4812112917	Cable harness	1		
9	4812112068	Cable entry insert	1		
10	4700313041	Cable ties	3		
11	4812112419	Pulse sensor cpl	1	A	
12	-	Power supply module	1		
13	4812115707	Pulse sensor cpl	1	B	
14	4700904229	Washer, 8.4x 6x1.5 mm 300HV	2		
15	4700500019	Hexagon screw	2		
16	4700500026	Screw M8-1,25x60 mm 8.8	2	C	
17	4812118625	Seal kit	1		

Comments for Page: Tachograph, option

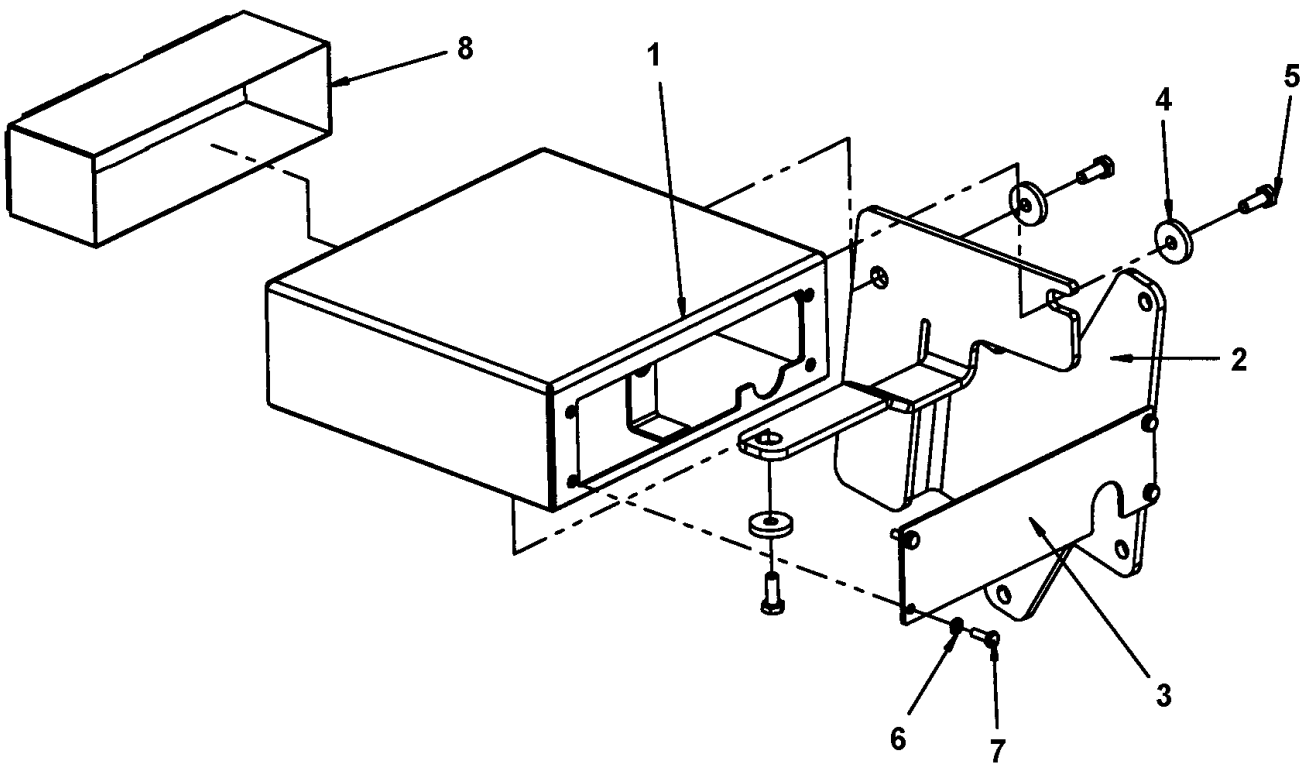
(L)OCAL REMARKS

A | en_US | Limited slip.

B | en_US | No spin.

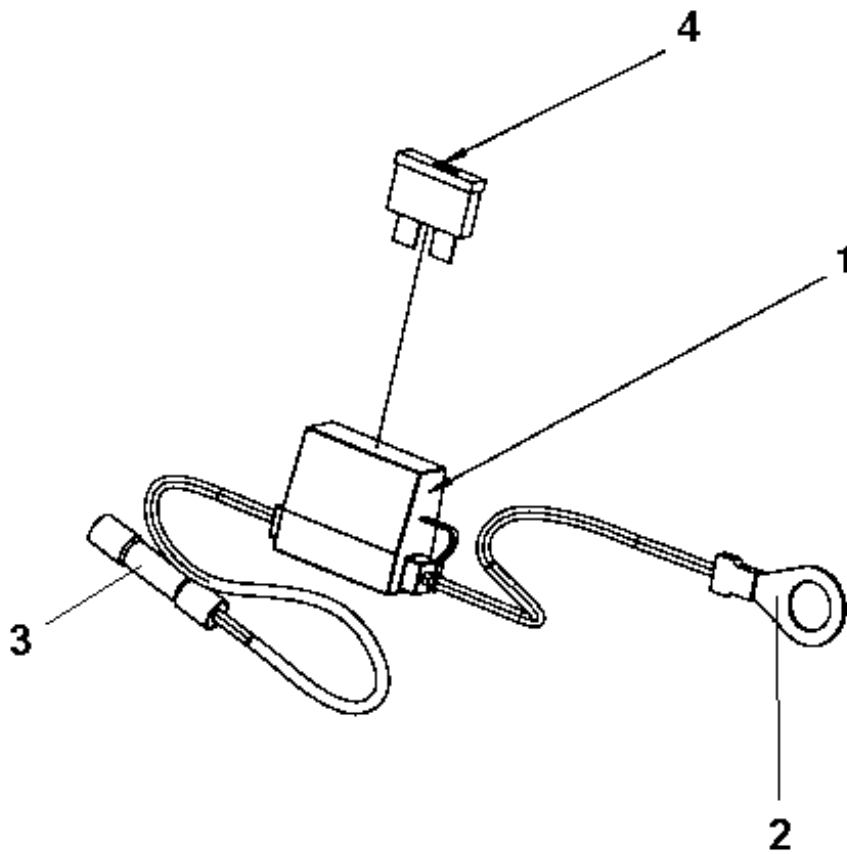
C | en_US | Used with comfort cab.

Tachograph, option Holder assy



Item	Part No.	Name	Qty	L	SN INFO
1	4812118641	Holder	1		
2	4812112837	Holder	1		
3	4812112838	Cover	1		
4	4700904735	Steel plain washer	3		
5	4700500013	Screw, M6x16 mm 8.8 A2K	3		
6	4700904698	Plain washer	4		
7	4700500002	Screw M4-0,7x12H 8.8	4		
8	4812118624	Mounting frame	1		

Tachograph, option Power supply module



Item	Part No.	Name	Qty	L	SN INFO
1	4700904015	Fuse holder	1		
2	4700960067	Cable clip	1		
3	4700904024	Splicing sleeve	1		
4	4700901227	Fuse 10A Red	1		

Speed sensor, frequency sensor, option Speed sensor, frequency sensor, option



Item	Part No.	Name	Qty	L	SN INFO
1	4812112062	Cable harness, displacement	1	A	
2	4812112227	Cable harness, Speed sensor front	1	B, E	
3	4812112231	Cable harness, Speed sensor rear	1	B, E	
4	4812112229	Cable harness	1	C	
5	4812111268	Cable harness, Frequency (6-pol)	1	D	
6	4700921078	Clamp	1		
7	4700904228	Washer 6,4x12x1,5	1		
8	4700500015	Hex. screw	1		
9	4700313041	Cable ties	2		
10	-	Pulse sensor module	1	D	
11	4812112419	Pulse sensor cpl	1	B, F	
11	4812115707	Pulse sensor cpl	1	B,G	
12	4700396601	Pulse sensor (6-pol)	2		

Comments for Page: Speed sensor, frequency sensor, option

(L)OCAL REMARKS

A | en_US | Displacement shift front.

B | en_US | Speed sensor.

C | en_US | Displacement shift rear.

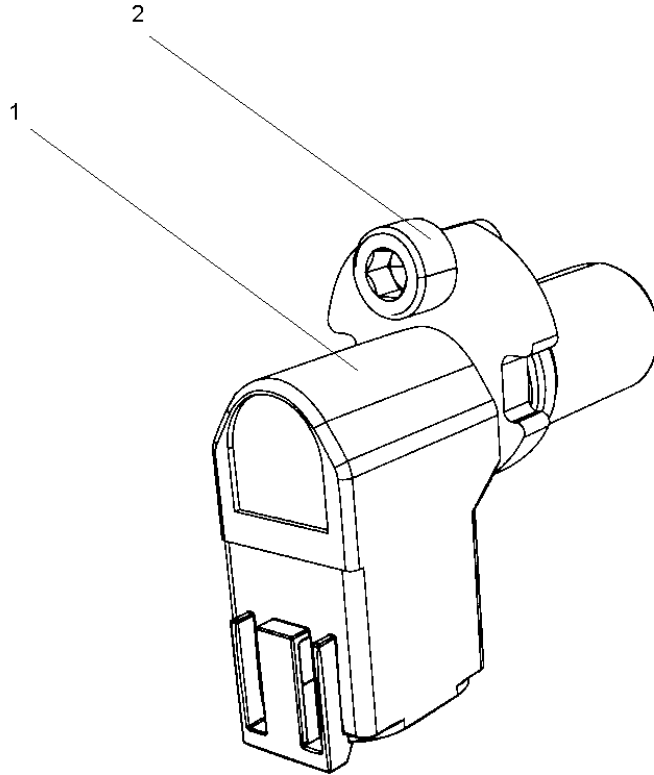
D | en_US | Frequency sensor.

E | en_US | Anti-spin, option.

F | en_US | Limited slip.

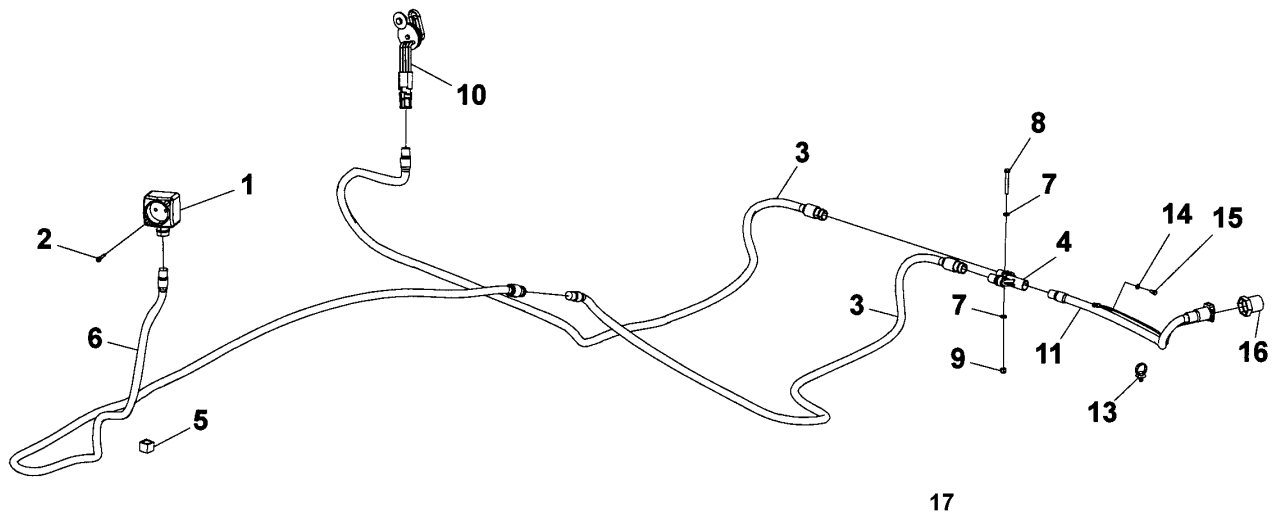
G | en_US | No spin.

Speed sensor, frequency sensor, option Pulse sensor module (6-pol)



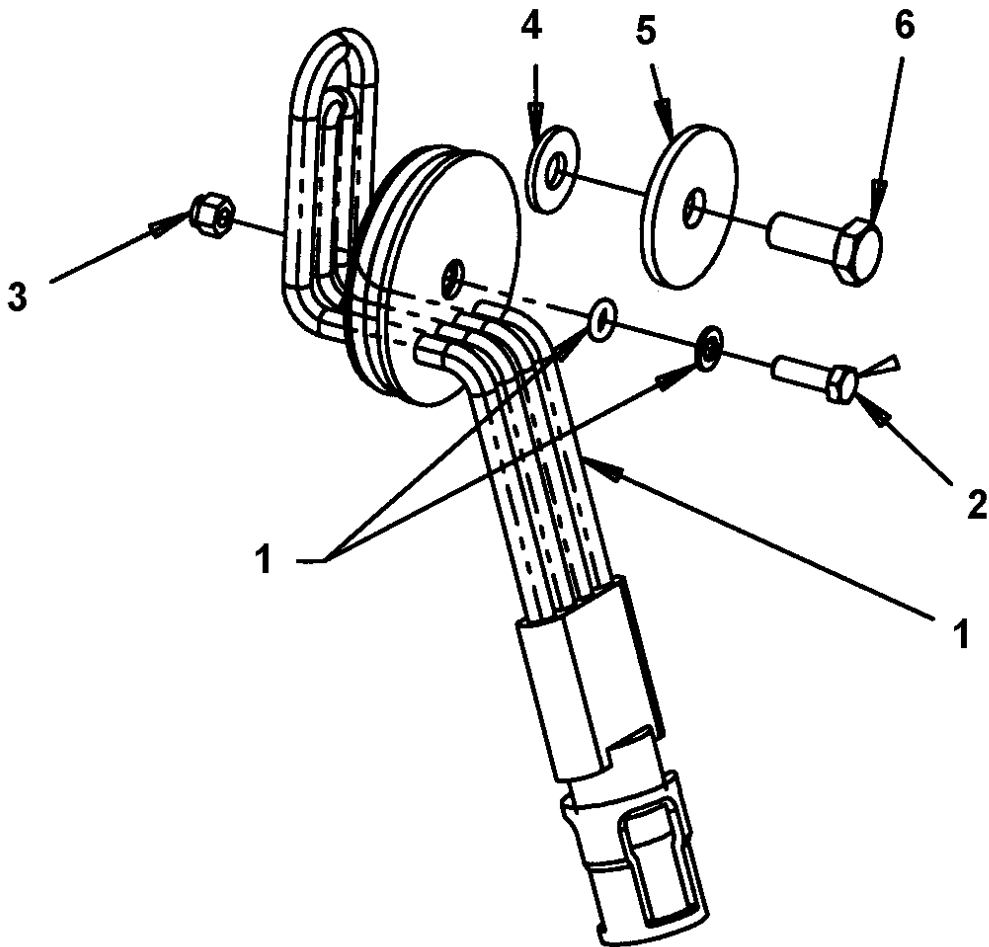
Item	Part No.	Name	Qty	L	SN INFO
1	4700396601	Pulse sensor (6-pol)	1		
2	4700508001	Screw M6x12	1		

Pre-heater installation, option Pre-heater installation, option



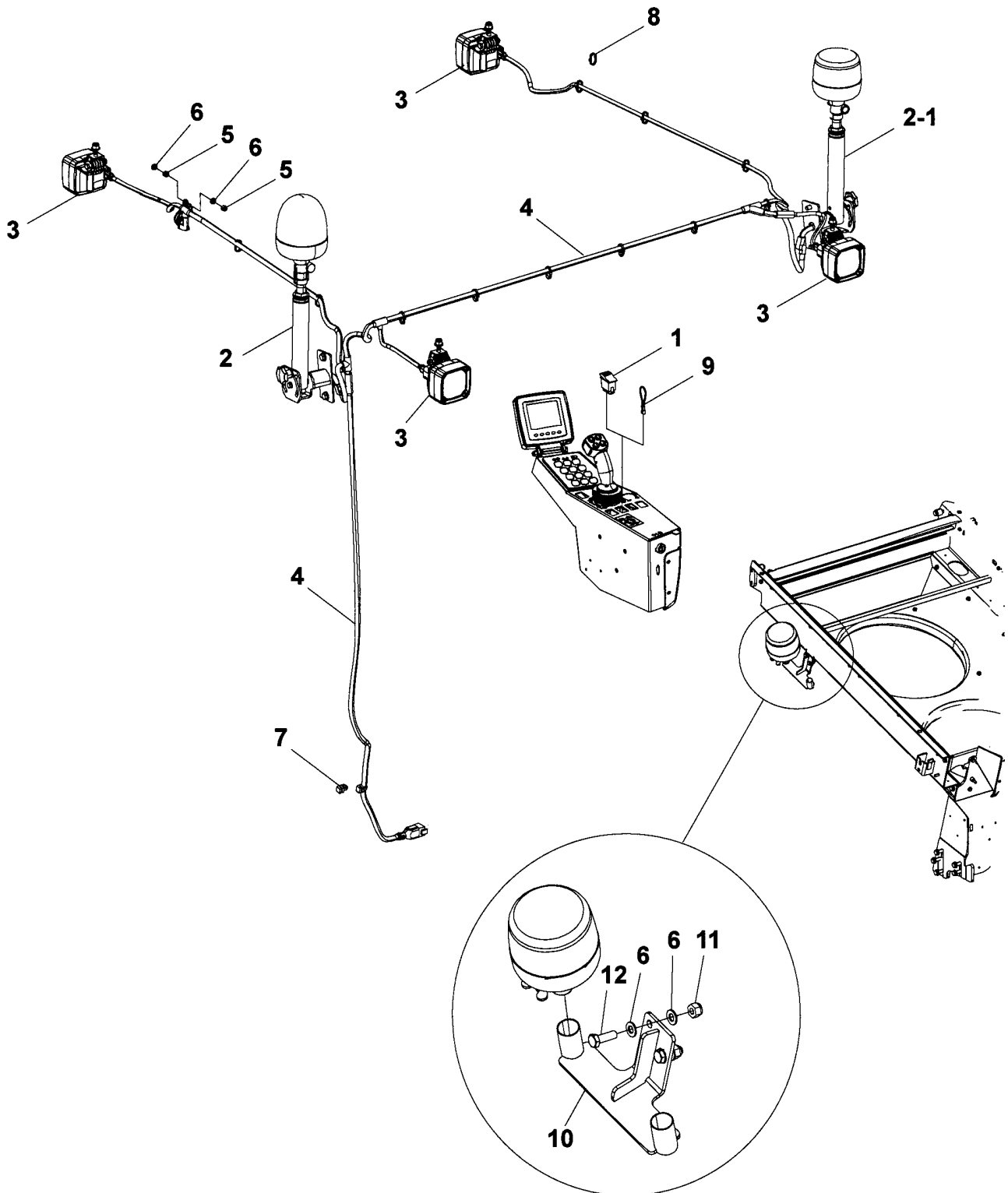
Item	Part No.	Name	Qty	L	SN INFO
1	4700396044	Connector	1		
2	4700792186	Thread forming screw	2		
3	4700396047	Cable	2		
4	4700396043	Branching	1		
5	4812112071	Cable entry insert	1		
6	4700396047	Cable	1		
7	4700904228	Washer 6,4x12x1,5	2		
8	4700500079	Screw M6-1x50 8,8	1		
9	4700586002	Lock nut M6 -8	1		
10	-	Heater	1		
11	4811000316	Cable	1		
13	4700792441	Cable tie with holder	4		
14	4700904281	Washer, 5,3x10x1 300HV	1		
15	4700500003	Hex. screw	1		
16	4812114984	Nut	1		
17	4700396048	Cable 230V	1		

Pre-heater installation, option Heater



Item	Part No.	Name	Qty	L	SN INFO
1	4700396041	Heater	1		
2	4700500006	Screw M5x16	1		
3	4700586001	Lock nut	1		
4	4700791304	Steel plain washer	1		
5	4700901688	Washer	1		
6	4700500053	Screw, M8x20 mm 8.8 A2K	1		

Rotating beacon, working light, option Rotating beacon, working light, option



Refer to Parts Online for the most up to date information. The printed information might be outdated.

Wed Nov 14 15:03:25 UTC 2018

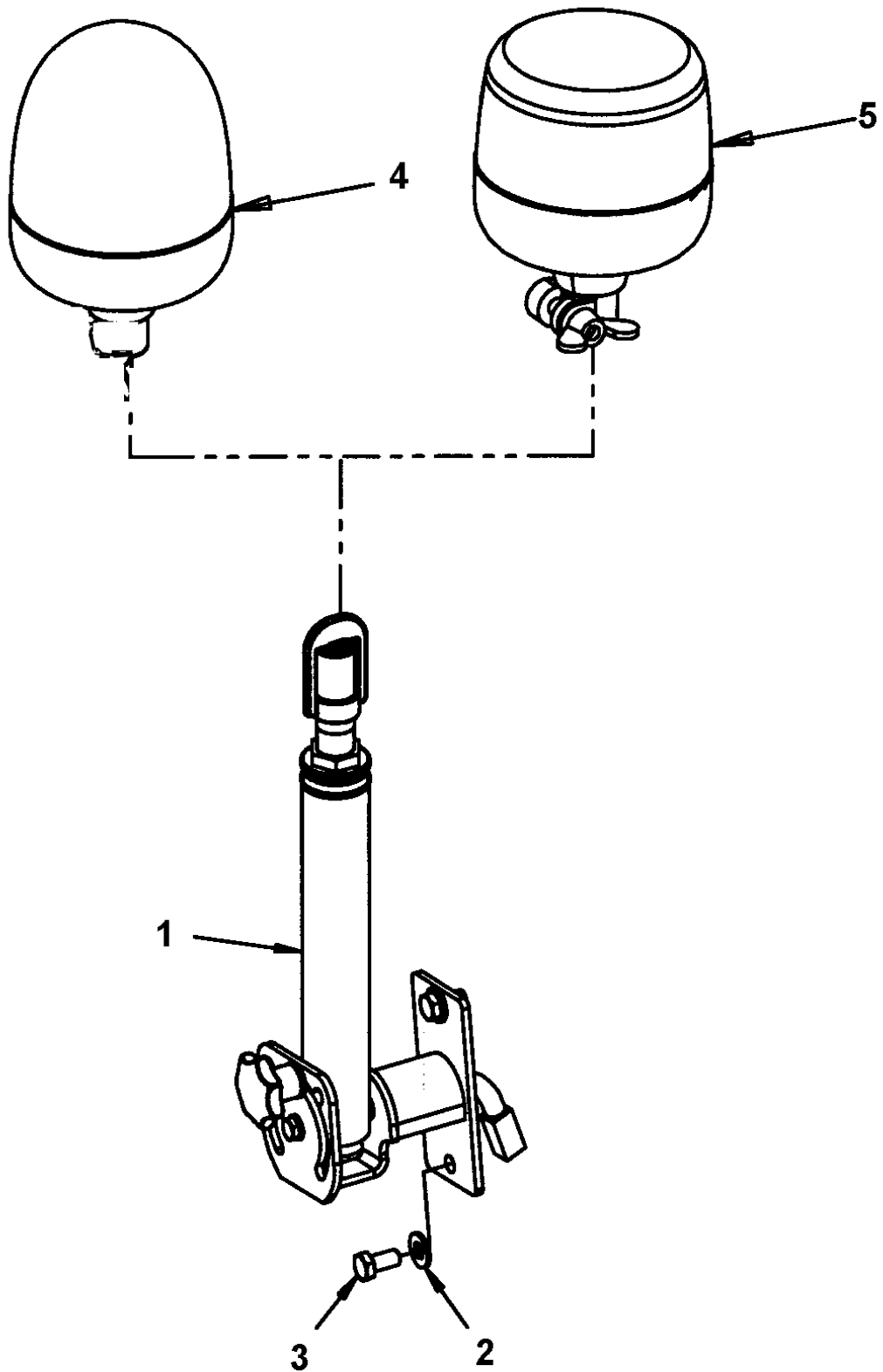
Item	Part No.	Name	Qty	L	SN INFO
1	4700792397	Switch	1		
2	-	Rotating beacon module	1		
2-1	-	Rotating beacon module	2	A	
3	4812126778	Working light, LED 25W	4		
3	4812126777	Working light, LED 15W	4		
3	-	Working light module H3	4		
4	4812112325	Cable harness	1		
5	4700570005	Hexagon nut	2		
6	4700904229	Washer, 8.4x 6x1.5 mm 300HV	6		
7	4700792667	Cable tie holder	1		
8	4700313041	Cable ties	N		
9	4811000077	Connection cable	1		
10	4812116799	Holder	1		
11	4700586003	Lock nut M8	2		
12	4700500021	Screw, M8x25 mm 8.8 A2K	2		

Comments for Page: Rotating beacon, working light, option

(L)OCAL REMARKS

A | en_US | Dual LED

Rotating beacon, working light, option Rotating beacon module



Refer to Parts Online for the most up to date information. The printed information might be outdated.

Wed Nov 14 15:03:26 UTC 2018

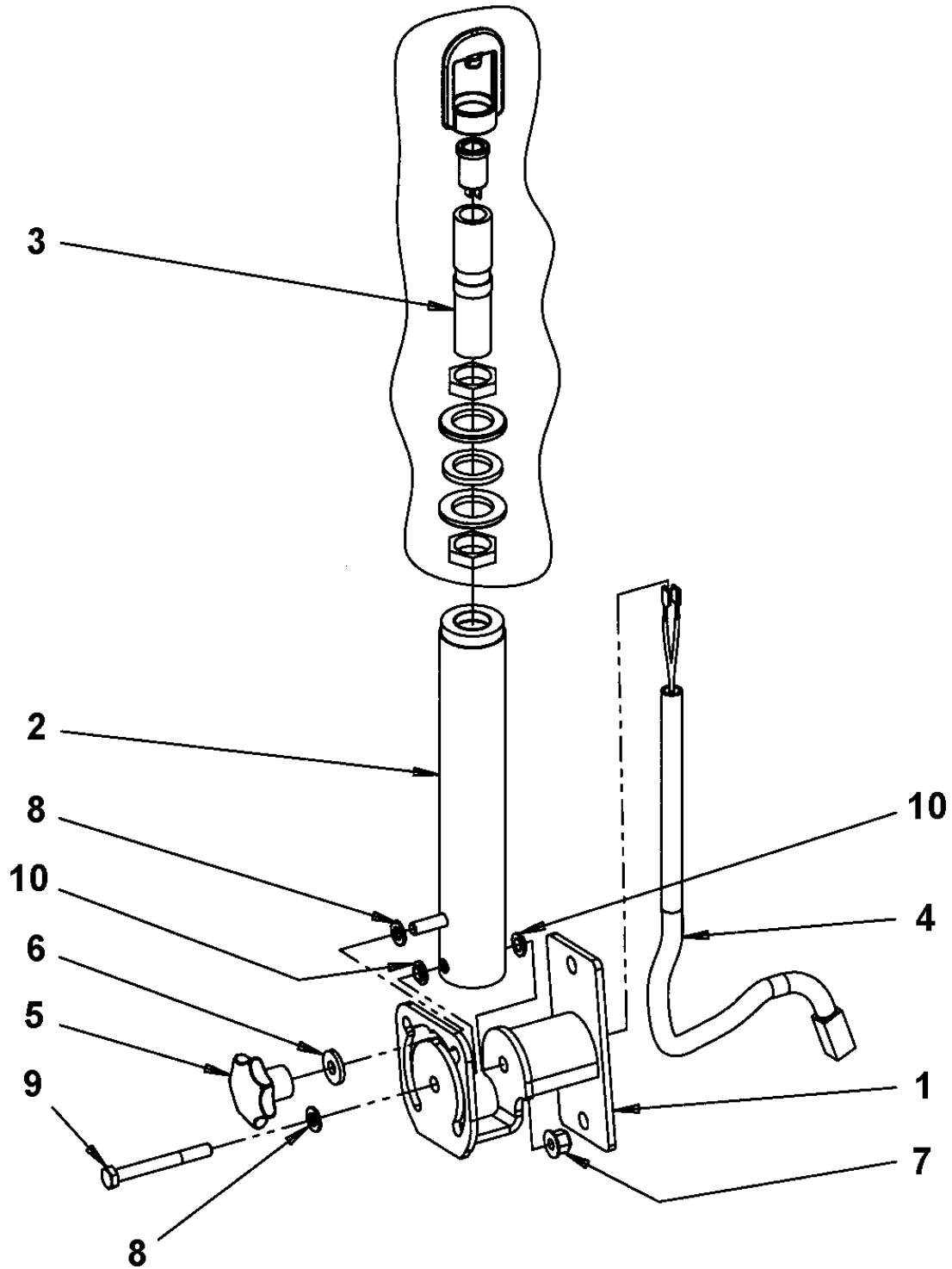
Item	Part No.	Name	Qty	L	SN INFO
1	-	Bracket, Rotating beacon	1		
2	4700904230	Steel plain washer	2		
3	4700500048	Screw, M10x20 mm 8.8 A3K	2		
4	4812122611	Rotating beacon	1		
5	4812121848	Rotating beacon, LED	1	A	

Comments for Page: Rotating beacon module

(L)OCAL REMARKS

A | en_US | Dual LED

Rotating beacon, working light, option Bracket, Rotating beacon



Refer to Parts Online for the most up to date information. The printed information might be outdated.

Wed Nov 14 15:03:26 UTC 2018

Item	Part No.	Name	Qty	L	SN INFO
1	4812116622	Bracket	1		
2	4812112460	Bracket	1		
2	4812120468	Bracket	1	A	
3	4700392321	Bracket	1		
3	4812120469	Bracket	1	B	
4	4812115020	Wiring harness	1		
5	4700792410	Hand knob nut	1		
6	4700904640	Washer, 8.4x22x3 mm 300HV	1		
7	4700902286	Lock nut, M8x1.25 mm A2K	1		
8	4700904229	Washer, 8.4x 6x1.5 mm 300HV	2		
9	4700500189	Screw	1		
10	4812112774	Bushing	2		

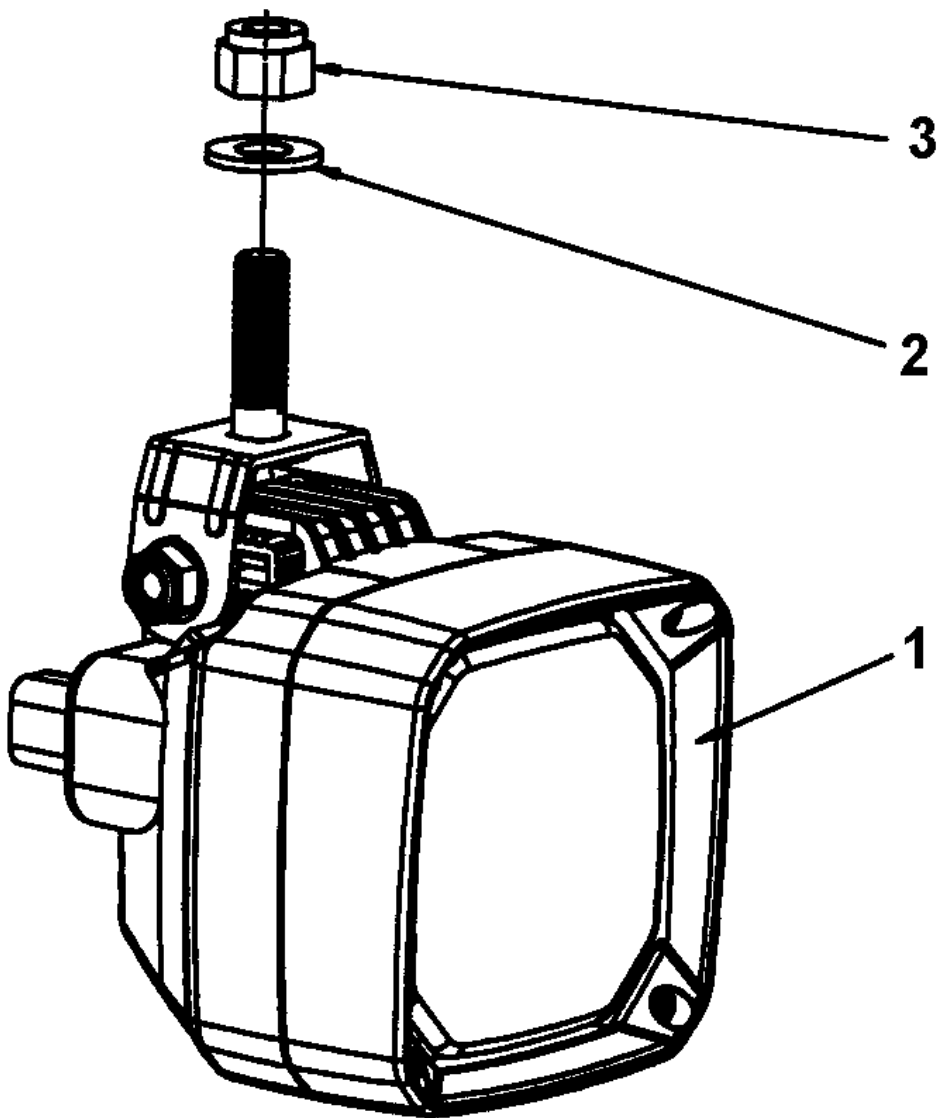
Comments for Page: Bracket, Rotating beacon

(L)OCAL REMARKS

A | en_US | interchangeable with part 4812120469

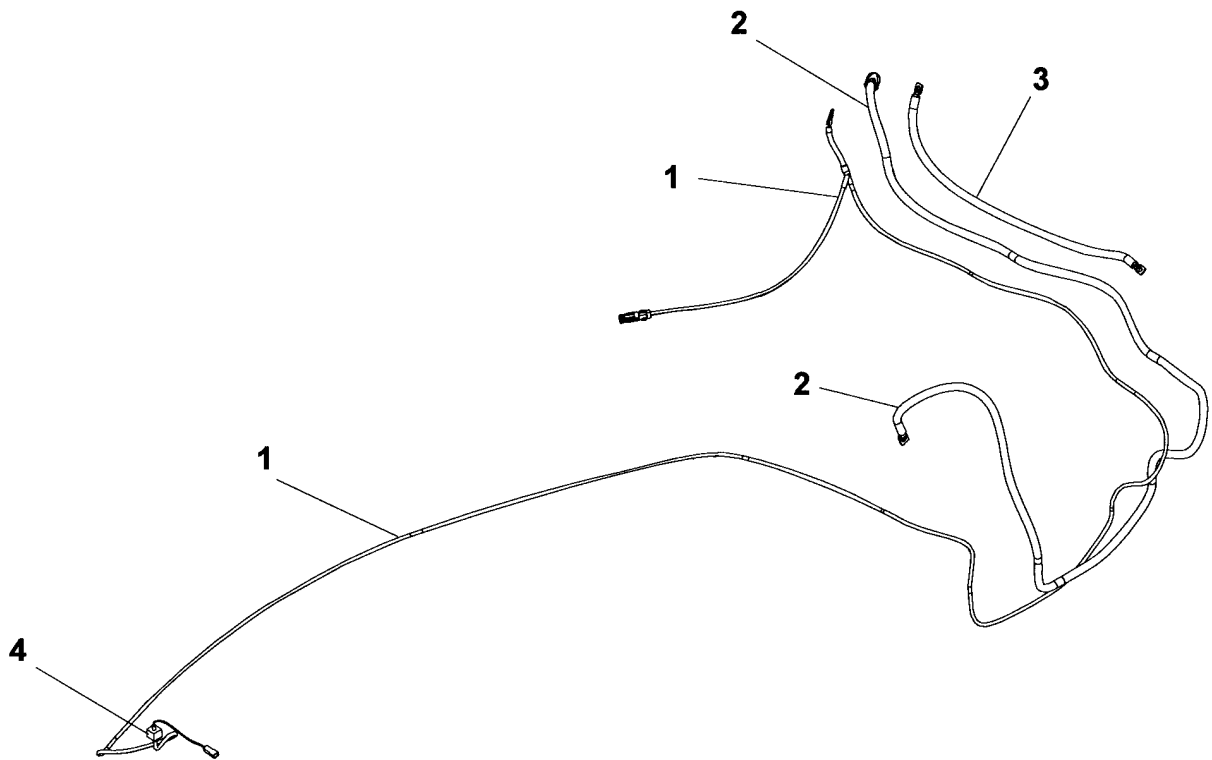
B | en_US | interchangeable with part 4812120468

Rotating beacon, working light, option Working light module H3



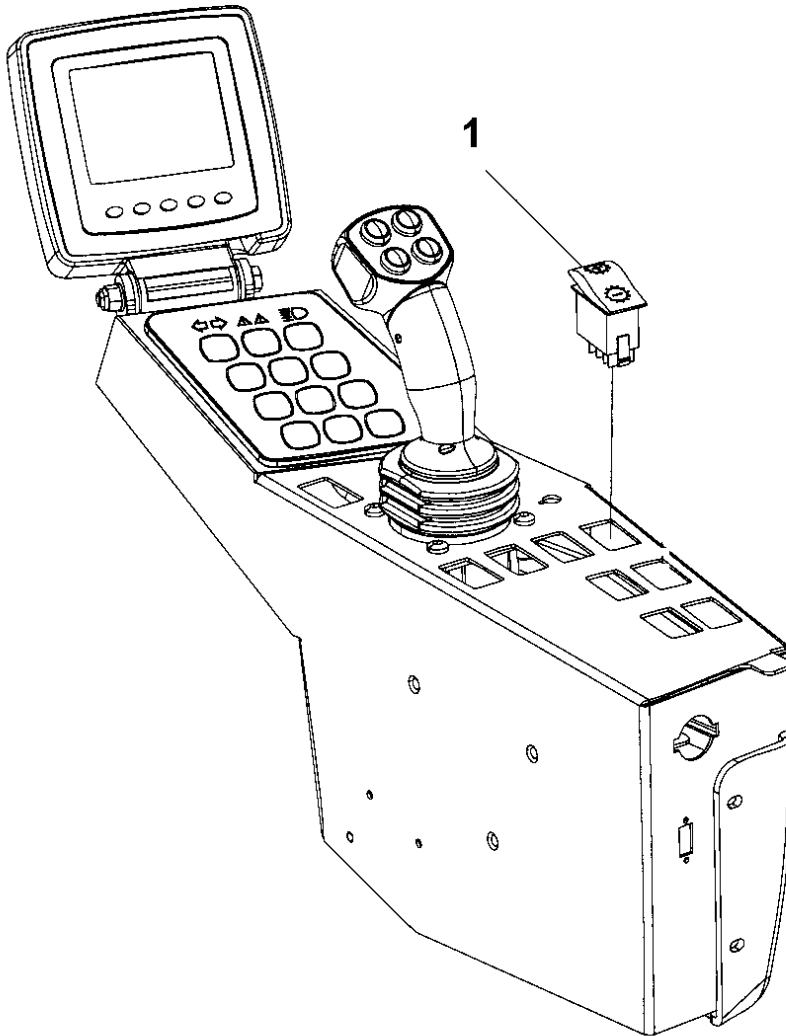
Item	Part No.	Name	Qty	L	SN INFO
1	4812114720	Working light	1		
2	4700904230	Steel plain washer	1		
3	4700586018	Lock nut M10	1		

Electric equipment Cable harness, emergency steering, option



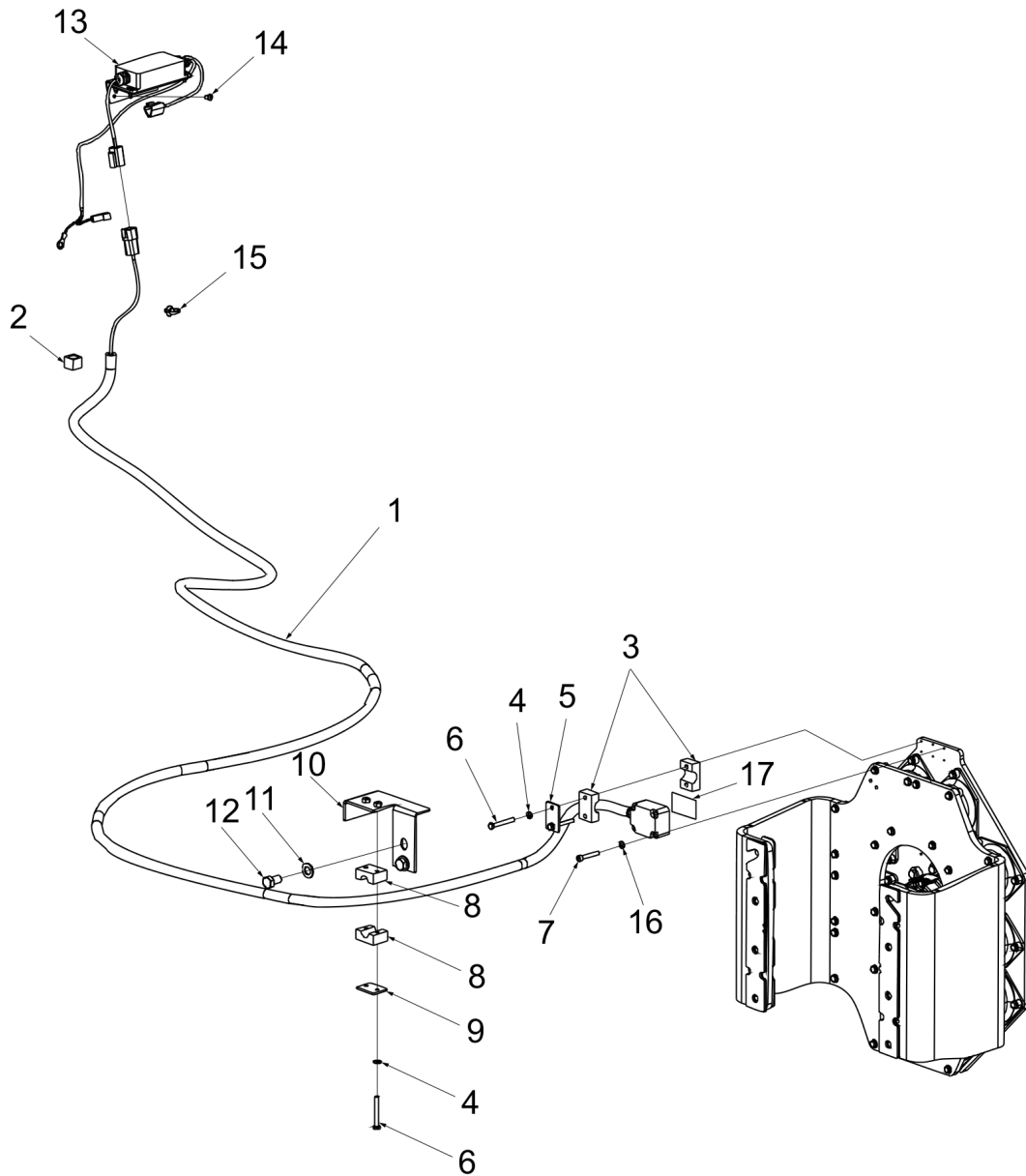
Item	Part No.	Name	Qty	L	SN INFO
1	4812118852	Cable harness	1		
2	4812118883	Connection cable, coarse	1		
3	4812118884	Connection cable, coarse	1		
4	4812114433	Cable entry insert	1		

Electric equipment Displacement shift



Item	Part No.	Name	Qty	L	SN INFO
1	4812115810	Switch, displacement shift	1		

Compaction meter, option Compaction meter, option

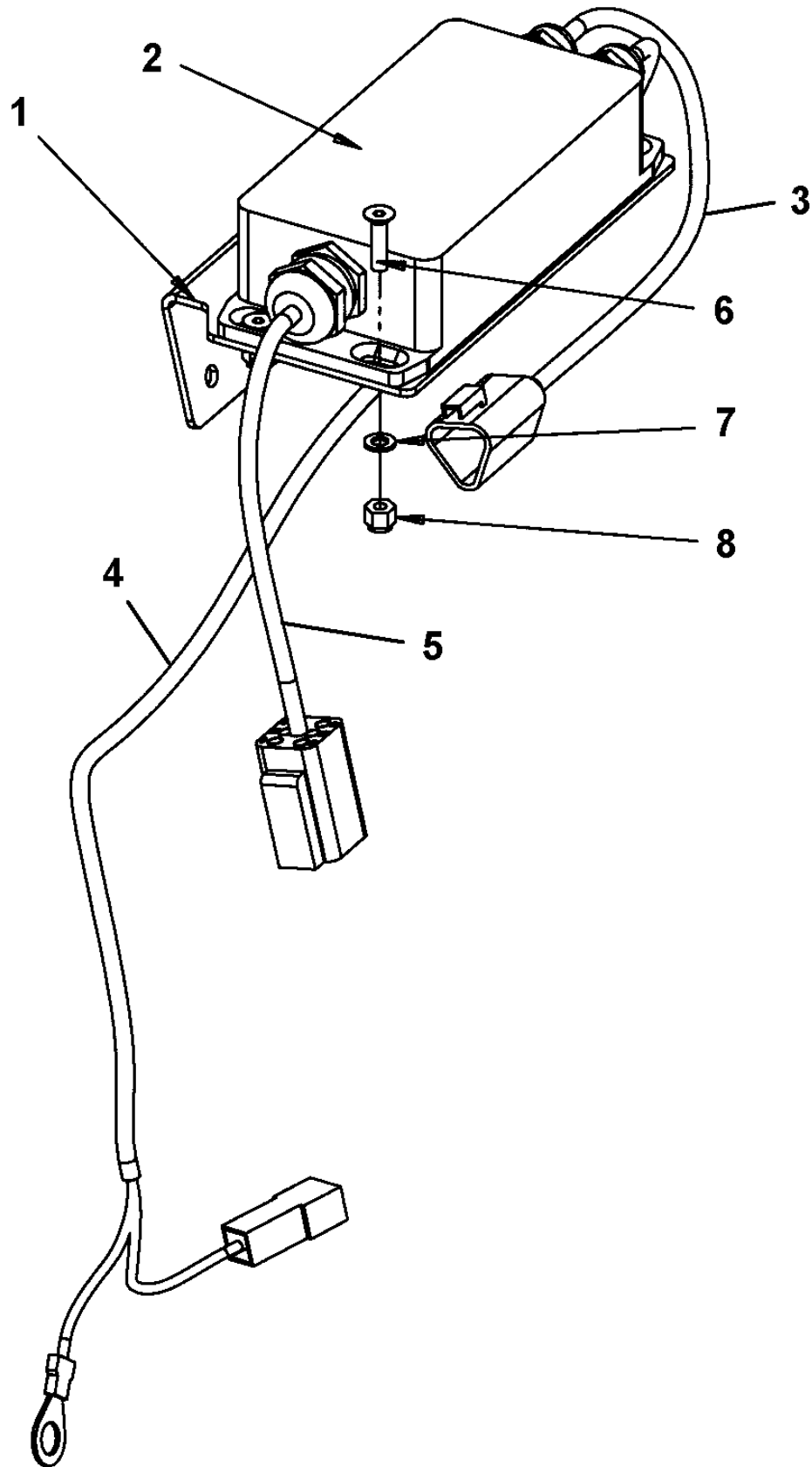


Refer to Parts Online for the most up to date information. The printed information might be outdated.

Wed Nov 14 15:03:27 UTC 2018

Item	Part No.	Name	Qty	L	SN INFO
1	4812115921	Dcm unit	1		
2	4812112072	Cable entry insert	1		
3	4700923876	Clamp	1		
4	4700904228	Washer 6,4x12x1,5	4		
5	4700923859	Cover plate	1		
6	4700500079	Screw M6-1x50 8,8	4		
7	4812121264	Screw	4		
8	4700791453	Pipe clamp block	1		
9	4700791454	Cover plate	1		
10	4812116181	Bracket	1		
11	4700904231	Washer, 13x24x2 mm 300 HV	2		
12	4700500035	Hexagon screw, M12x20H	2		
13		Power supply	1		
14	4700792210	Screw torx	2		
15	4700792441	Cable tie with holder	2		
16	4700606003	Washer	4		
17	4812121118	Gasket	1		

Compaction meter, option Power supply

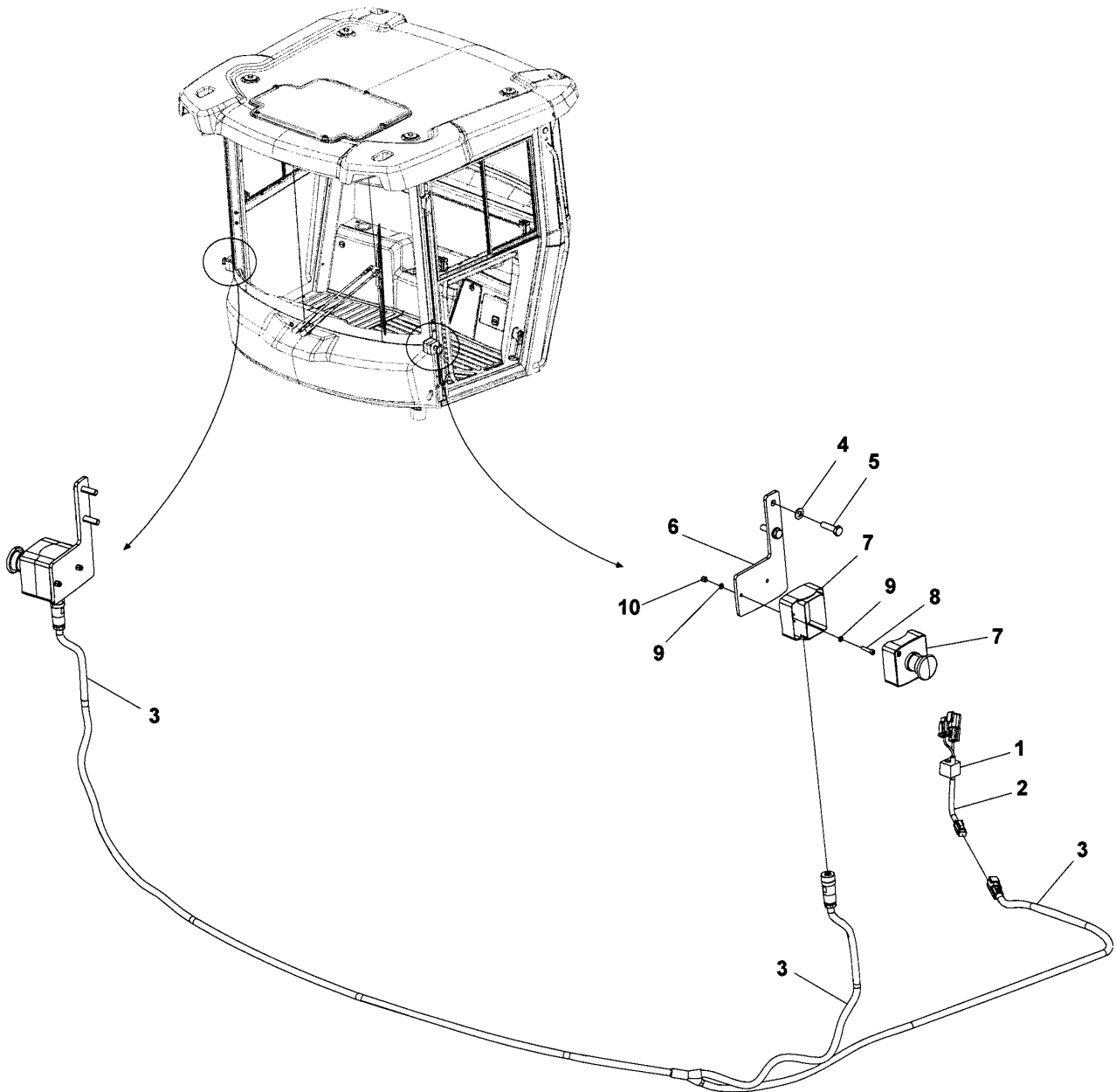


Refer to Parts Online for the most up to date information. The printed information might be outdated.

Wed Nov 14 15:03:27 UTC 2018

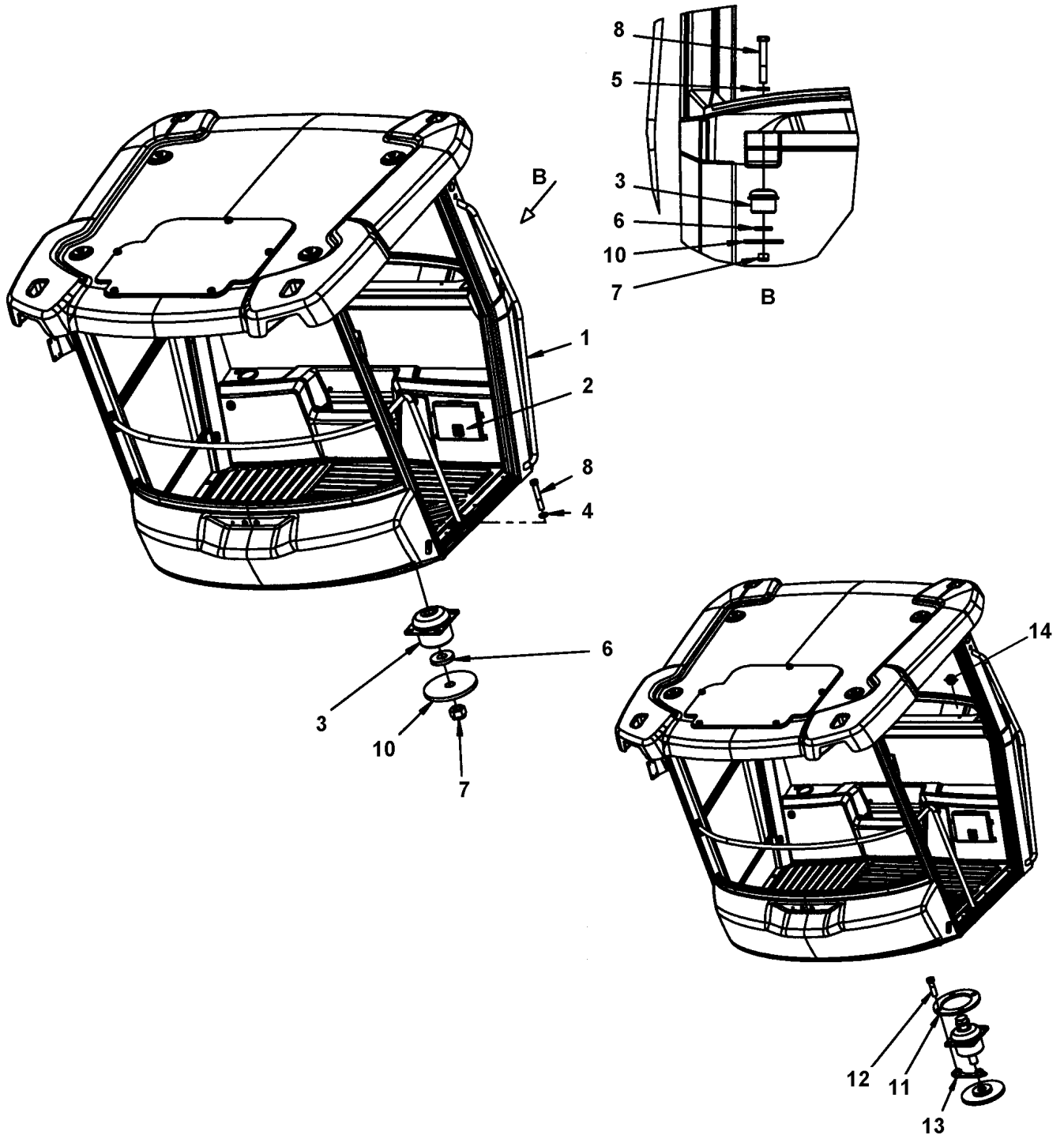
Item	Part No.	Name	Qty	L	SN INFO
1	4812112792	Holder	1		
2	4812113123	Power supply unit	1		
3	4812112640	Cable harness	1		
4	4812112641	Cable harness	1		
5	4812112642	Cable harness	1		
6	4700513027	Screw M4x16H 10,9	4		
7	4700904698	Plain washer	4		
8	4700923976	Lock nut	4		

Electric equipment External emergency stop, option



Item	Part No.	Name	Qty	L	SN INFO
1	4812116367	Cable entry frame and inserts	1		
2	4812116346	Cable harness	1		
3	4812116354	Cable harness	1		
4	4700904229	Washer, 8.4x 6x1.5 mm 300HV	4		
5	4700500022	Screw	4		
6	4812116588	Holder	2		
7	4812116587	Emergency stop box	2		
8	4700903386	Screw	4		
9	4700904698	Plain washer	8		
10	4700923976	Lock nut	4		

Platform, rops Platform, rops

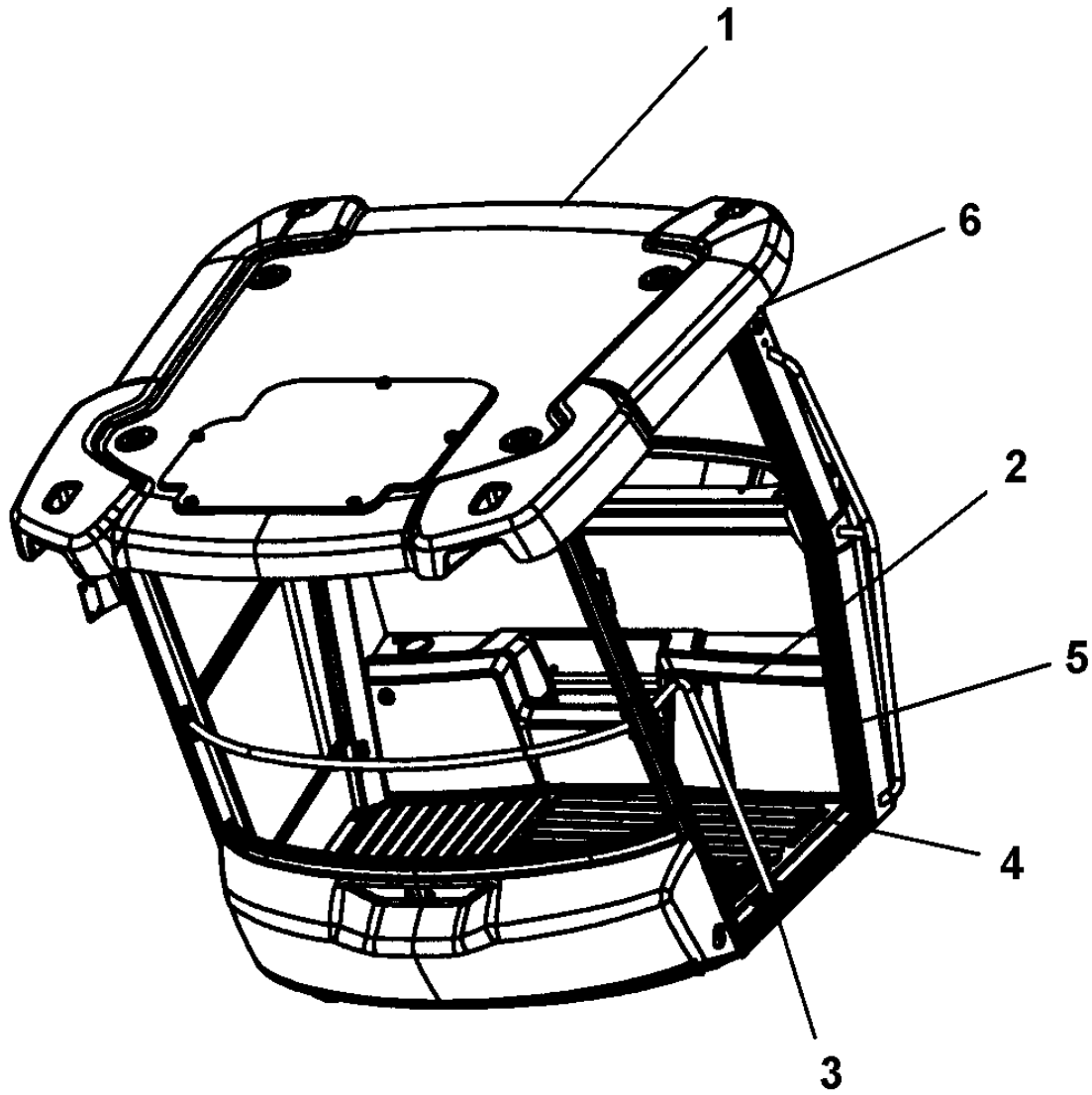


Refer to Parts Online for the most up to date information. The printed information might be outdated.

Wed Nov 14 15:03:28 UTC 2018

Item	Part No.	Name	Qty	L	SN INFO
1	4812120545	Platform with 4-post ROPS	1		
2	-	Manual box	1		
3	4812116884	Shock absorber	4		
4	4700904233	Steel plain washer 21x36x3	2		
5	4700903290	Steel plain washer 21x36x6	2		
6	4700927410	Washer	4		
7	4700901145	Lock nut M20-10	4		
8	4700902282	Screw	4		
10	4812116867	Spacer	4		
11	4700359998	Back-up ring	4		
12	4700500056	Screw, M12x45 mm 8.8 A3K	16		
13	4700393525	Holder	8		
14	4812115387	Protective plug	2		

4812120545 Platform with 4-post ROPS 4812120545 Platform with 4-post ROPS

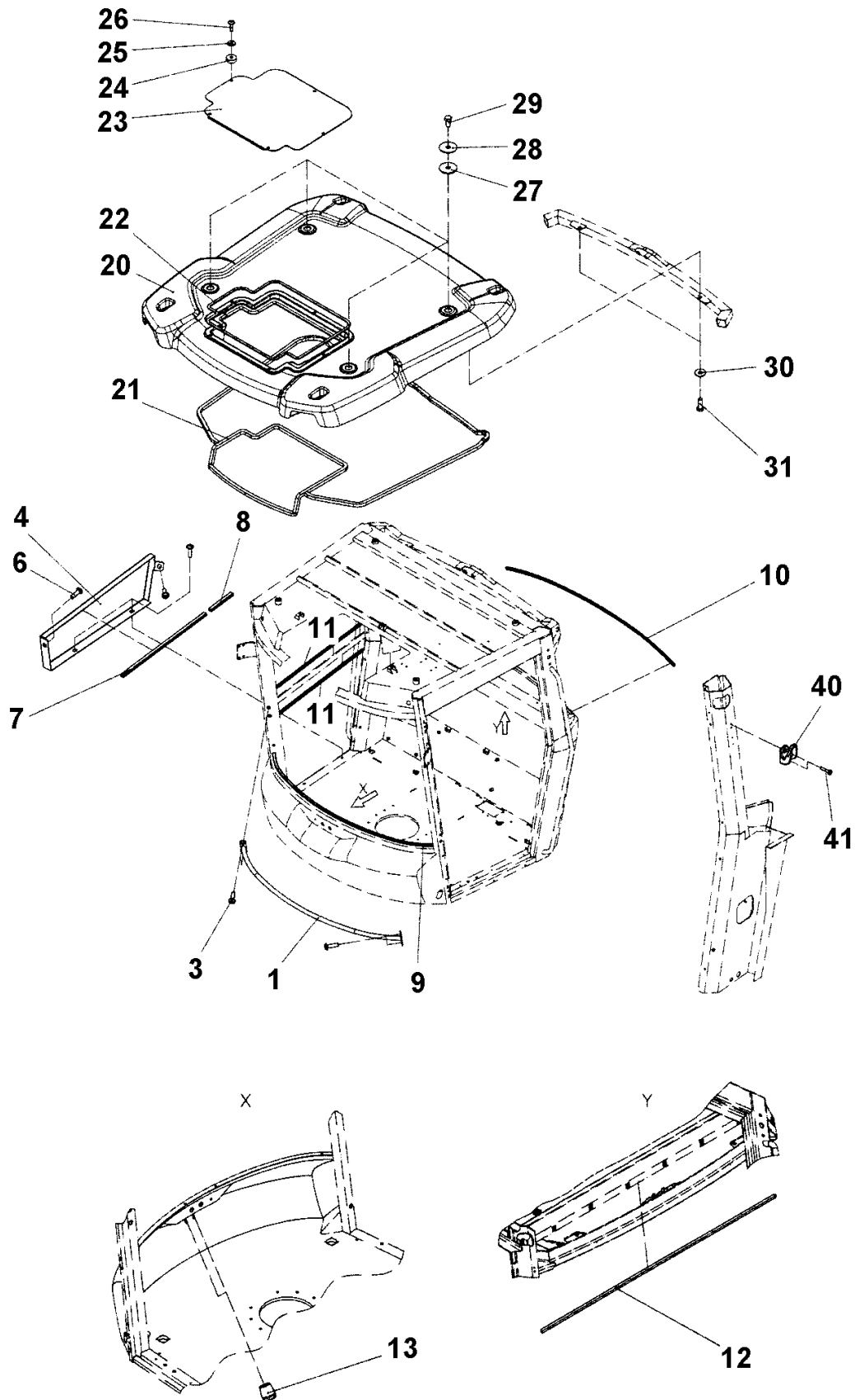


Refer to Parts Online for the most up to date information. The printed information might be outdated.

Wed Nov 14 15:03:28 UTC 2018

Item	Part No.	Name	Qty	L	SN INFO
1	-	Basic kit Rops, roof, front handrail	1		
2	-	Rear cover	1		
3	-	Handrail	1		
4	4812114568	Floor mat	1		
5		Rops	1		
6	-	Cab, basic kit	1		

4812120545 Platform with 4-post ROPS Basic kit Rops, roof, front handrail



Refer to Parts Online for the most up to date information. The printed information might be outdated.

Wed Nov 14 15:03:28 UTC 2018

Item	Part No.	Name	Qty	L	SN INFO
1	4812115193	Handrail	1		
3	-	Screw	4		
4	4812115194	Plate	1		
6	-	Screw	4		
7	4700202028	Edge trim	1XL	A	
8	4700202028	Edge trim	1XL	B	
9	4700202028	Edge trim	1XL	C	
10	4700202028	Edge trim	1XL	D	
11	4700202028	Edge trim	1XL	E	
12	4700202028	Edge trim	1XL	F	
13	-	Cap	2		
20	4812115195	Roof	1		
21	4812115164	Rubber strip	1XL	G	
22	4812161165	Foam strip (Xm)	1XL	H	
23	4812115196	Roof plate	1		
24	4812115166	Rubber washer	5		
25	4700601003	Washer, 8,4x25x2 mm	5		
26	4812162571	Screw	5		
27	4812115170	Seal washer	10		
28	4812115171	Washer	4		
29	4812162572	Hexagon screw	4		
30	4700601003	Washer, 8,4x25x2 mm	2		
31	4700947680	Hexagon head screw m	2		
40	4700908505	Hook	1		
41	-	Screw	4		

Comments for Page: Basic kit Rops, roof, front handrail

(L)OCAL REMARKS

A | L=0.508m

B | L=0.133m

C | L=1.415m

D | L=1.43m

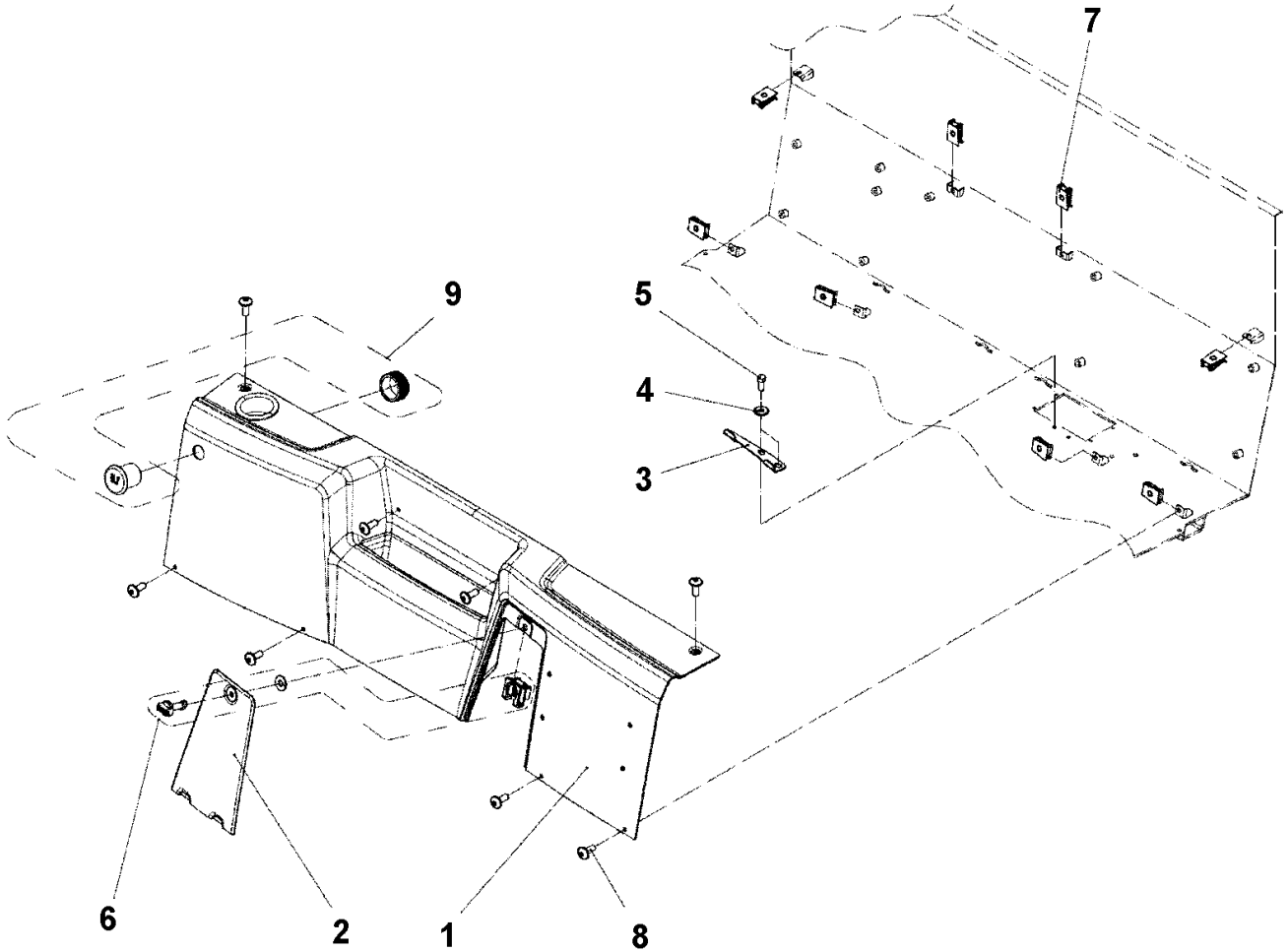
E | L=0.856m

F | L=1.515m

G | L=6.7m

H | L=2.513m

4812120545 Platform with 4-post ROPS Rear cover

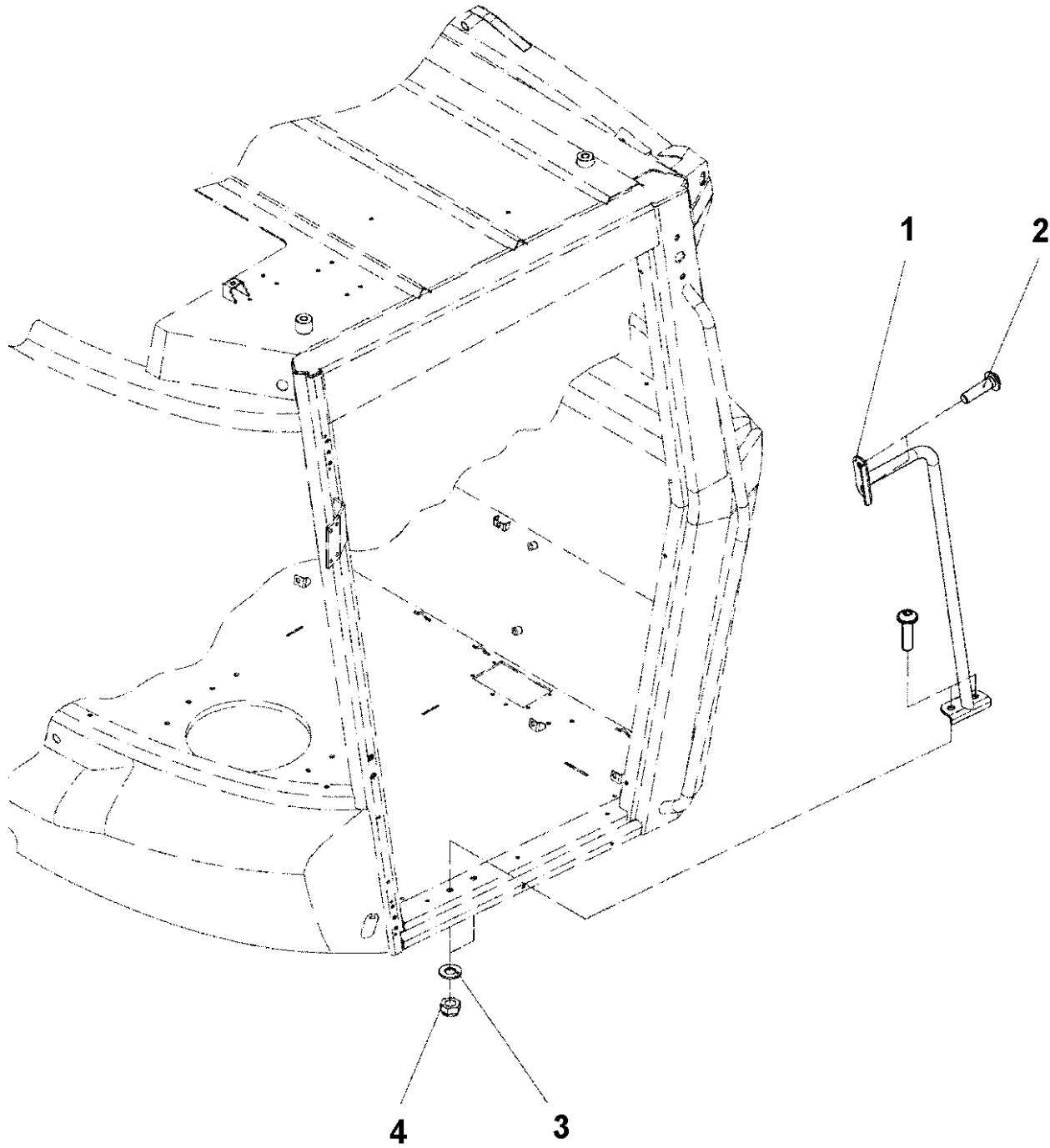


Refer to Parts Online for the most up to date information. The printed information might be outdated.

Wed Nov 14 15:03:29 UTC 2018

Item	Part No.	Name	Qty	L	SN INFO
1	4812114563	Rear cover	1		
2	4812114564	Service cover	1		
3	4812114565	Bracket	1		
4	4700601001	Washer	2		
5	4700500004	Screw M5x12 8,8	2		
6	4812114566	Turn fastener	1		
7	4812114567	Speed nut	8		
8	-	Screw	8		
9	-	Socket, 24V	1		

4812120545 Platform with 4-post ROPS Handrail

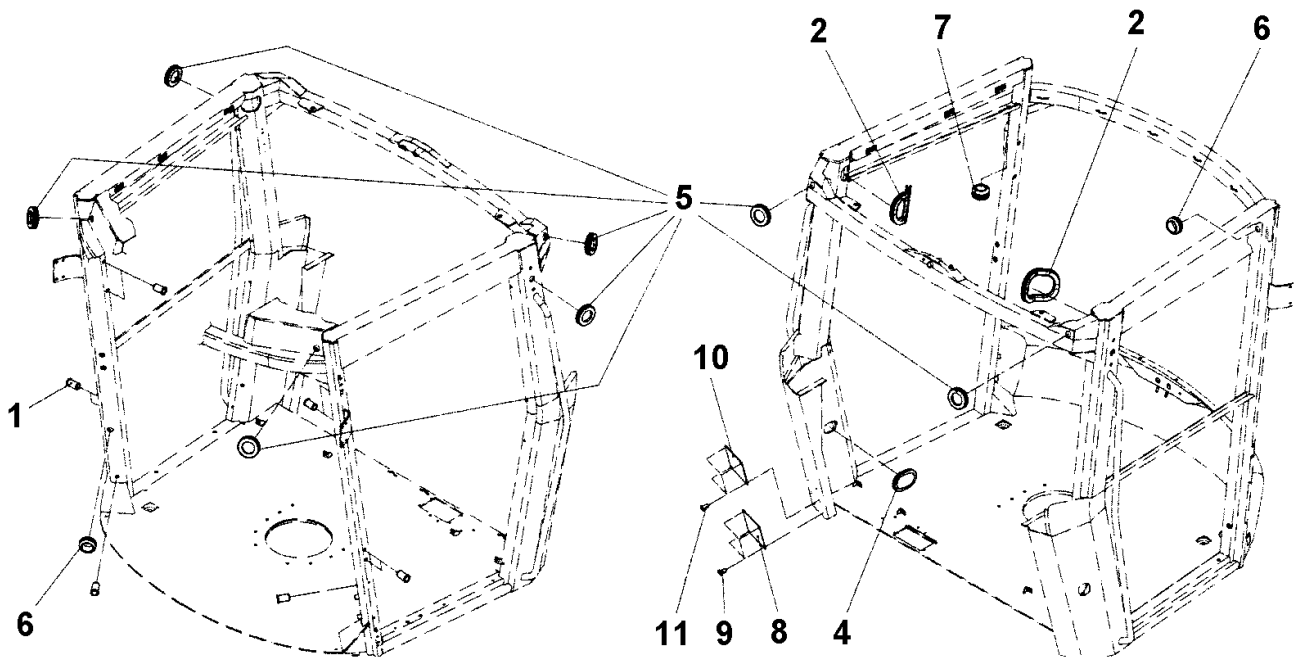


Refer to Parts Online for the most up to date information. The printed information might be outdated.

Wed Nov 14 15:03:29 UTC 2018

Item	Part No.	Name	Qty	L	SN INFO
1	4812114569	Handrail	1		
2	-	Screw	4		
3	4700904557	Washer, 10.5x22x4 mm 300 HV	2		
4	4700791172	Lock nut M10 DIN985	2		

4812120545 Platform with 4-post ROPS Cab, basic kit



Refer to Parts Online for the most up to date information. The printed information might be outdated.

Wed Nov 14 15:03:29 UTC 2018

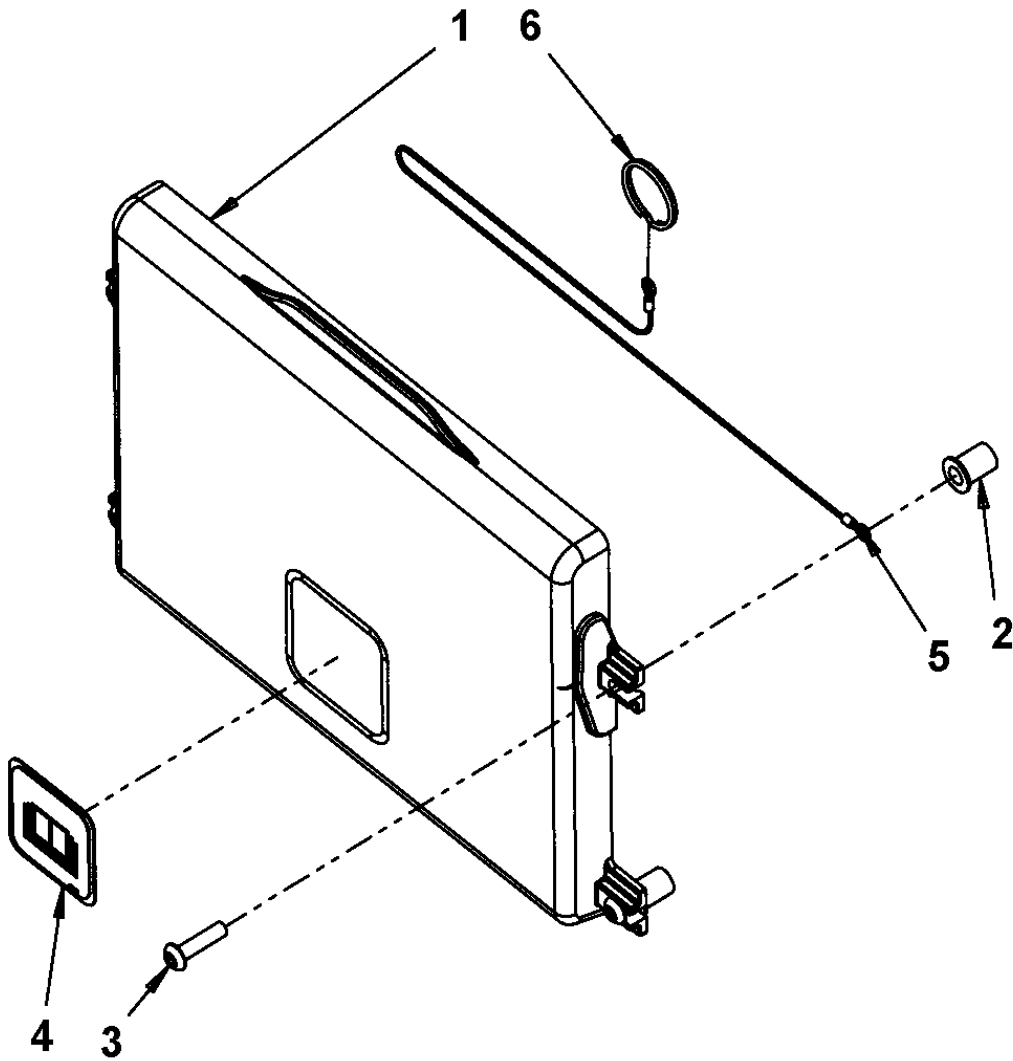
Item	Part No.	Name	Qty	L	SN INFO
1	4700792103	Blind insert nut	10		
2	4700902379	Edge trim	2XL	A	
4	4812115186	Cover	1		
5	4700929587	Grommet	7		
6	4700909129	Grommet	2		
7	-	Grommet	1		
8	-	Sign, rops	1		
9	-	Screw	4		
10	-	Sign, fops	1		
11	-	Screw	4		

Comments for Page: Cab, basic kit

(L)OCAL REMARKS

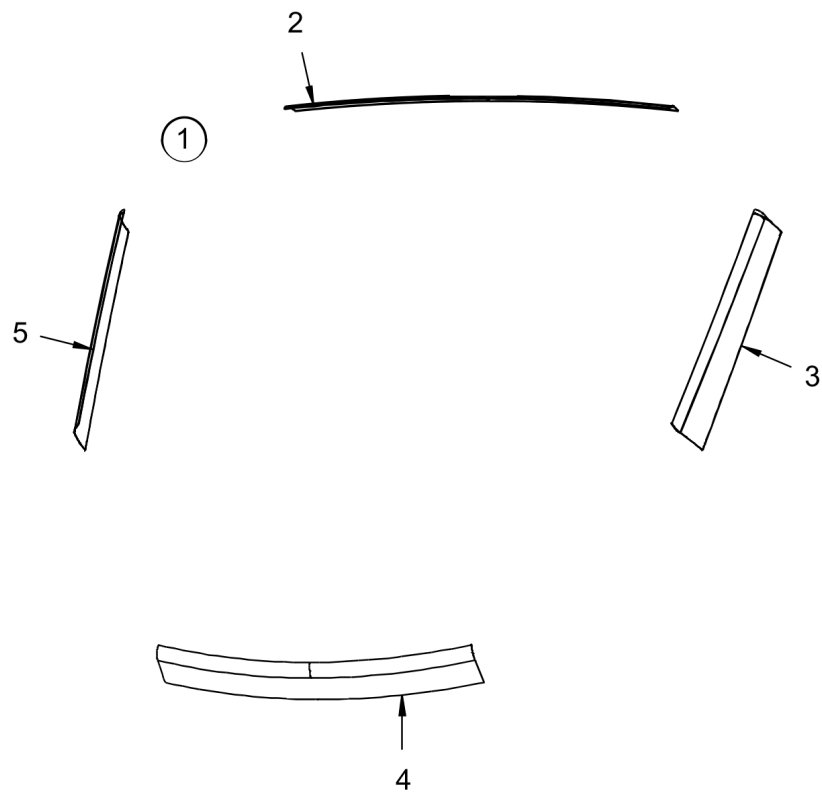
A | en_US | L=0.263m

Platform, rops Manual box



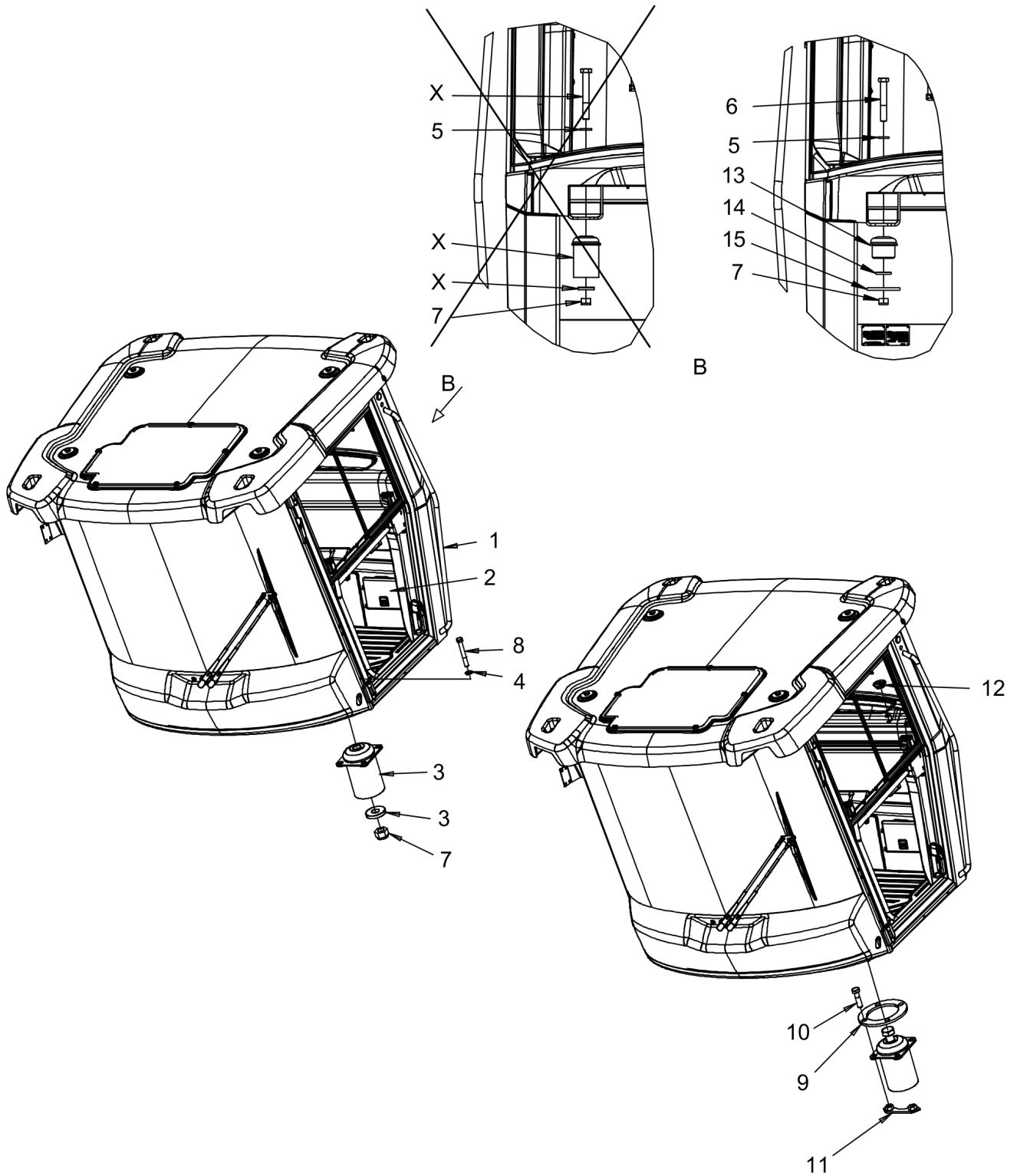
Item	Part No.	Name	Qty	L	SN INFO
1	4700383705	Instruction manual box	1		
2	4700792536	Rubber nut	4		
3	4700792589	Screw	4		
4	4700903425	Safety decal "READ SAFETY INSTRUCTIONS"	1		
5	4700384584	Wire	1		
6	4700358254	Key-ring	1		

Platform, rops Decals basic kit



Item	Part No.	Name	Qty	L	SN INFO
1	4812120070	Decal cosmetic, kit	1		
2	--	Decal cosmetic Yellow	1		
3	--	Decal cosmetic Yellow	1		
4	--	Decal cosmetic Yellow	1		
5	--	Decal cosmetic Yellow	1		

Cab symmetric module Cab symmetric module

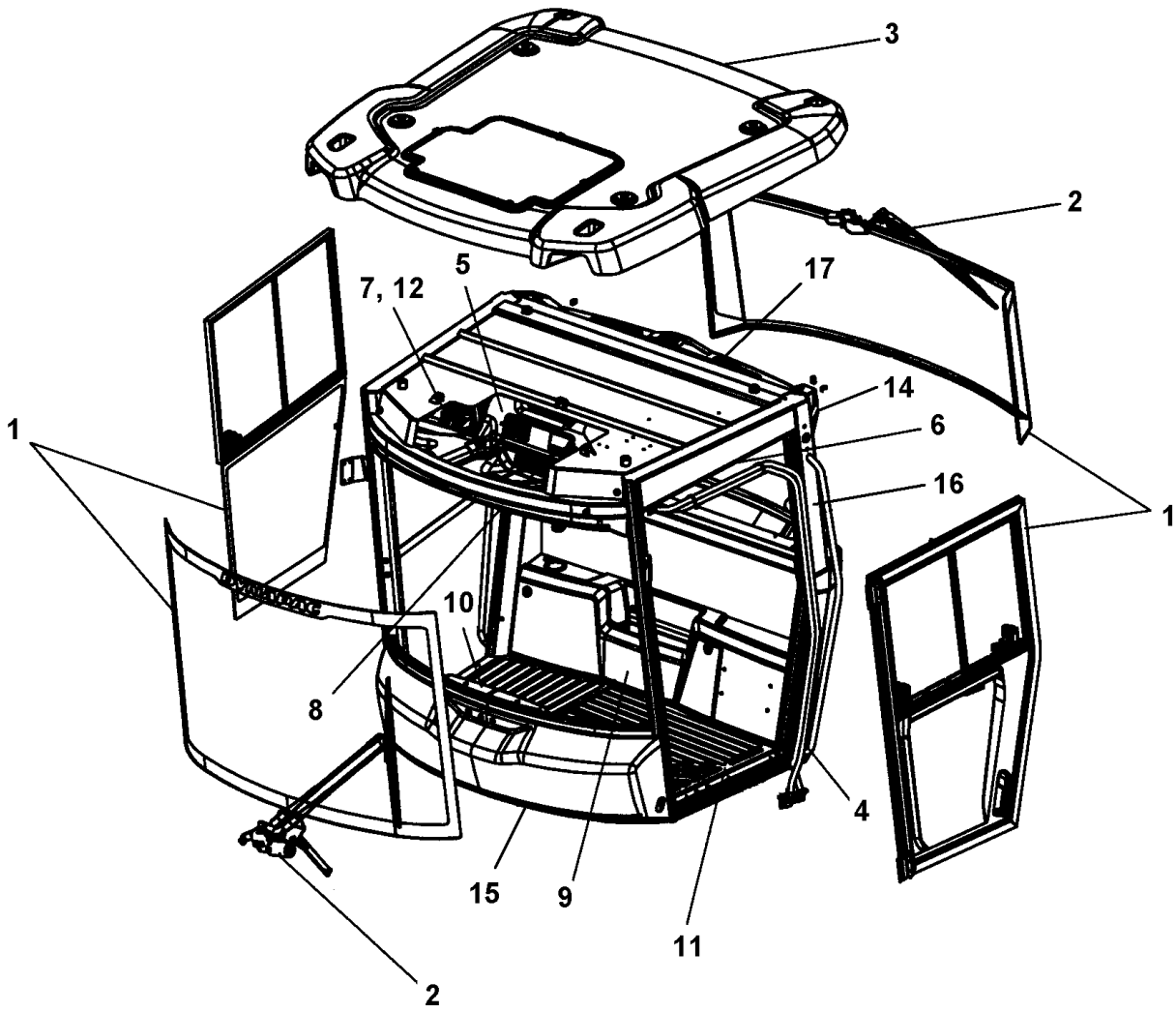


Refer to Parts Online for the most up to date information. The printed information might be outdated.

Wed Nov 14 15:03:30 UTC 2018

Item	Part No.	Name	Qty	L	SN INFO
1	4812119366	Cab, cpl Comfort	1		
1	4812119367	Cab, cpl Basic	1		
2	-	Manual box	1		
3	4812121000	Shock absorber Green	2		
4	4700904233	Steel plain washer 21x36x3	2		
5	4700903290	Steel plain washer 21x36x6	2		
6	4700902282	Screw	2		
7	4700901145	Lock nut M20-10	4		
8	4700903633	Screw M20x150 10,9	2		
9	4700359998	Back-up ring	4		
10	4700500056	Screw, M12x45 mm 8.8 A3K	16		
11	4700393525	Holder	8		
12	4812115387	Protective plug	2		
13	4812116884	Shock absorber	2		
14	4700927410	Washer	2		
15	4812116867	Spacer	2		
X	-	Not to be used			

4812119366 Cab, cpl Comfort 4812119366 Cab, cpl Comfort

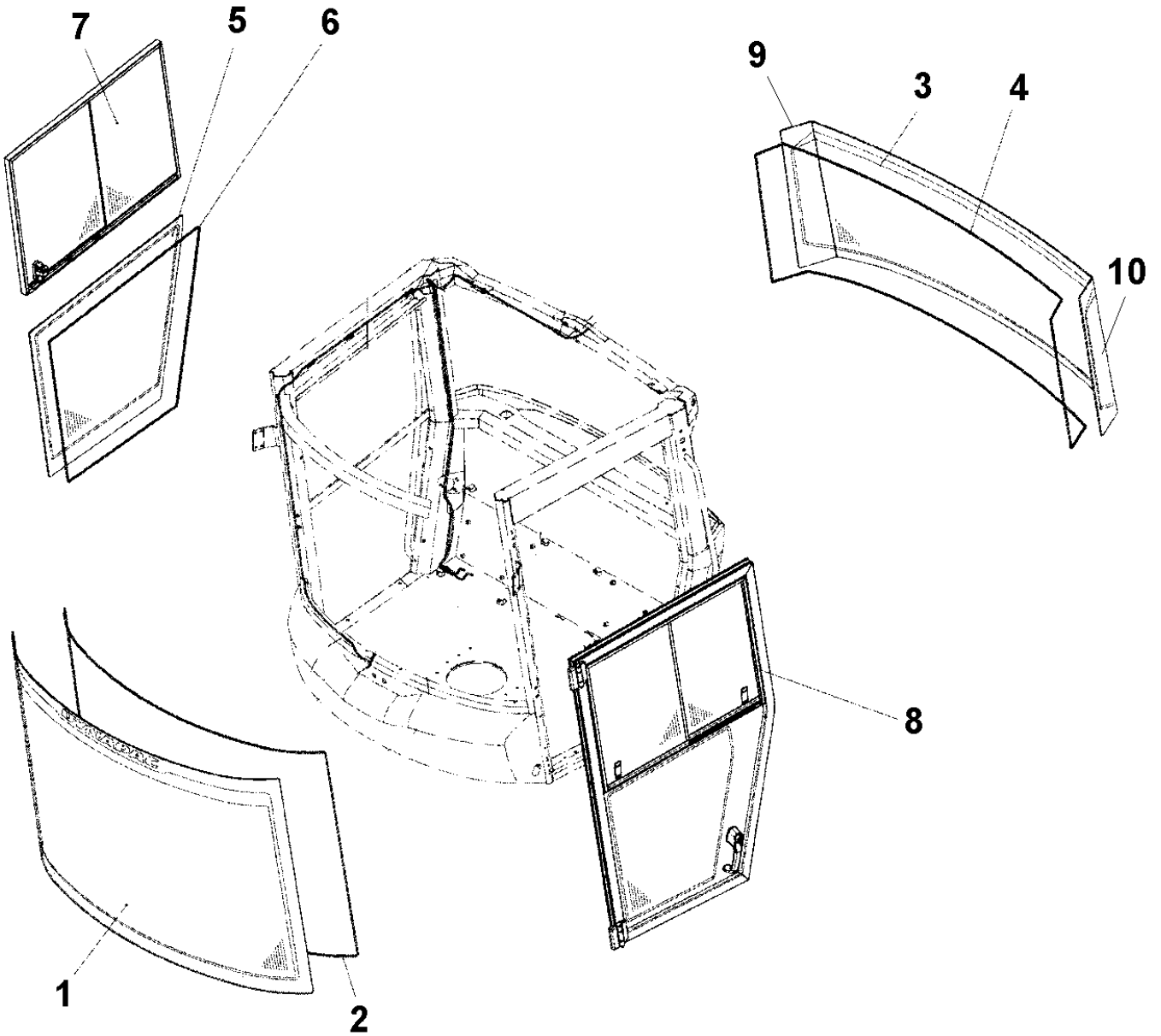


Refer to Parts Online for the most up to date information. The printed information might be outdated.

Wed Nov 14 15:03:30 UTC 2018

Item	Part No.	Name	Qty	L	SN INFO
1	-	Screens	1		
2	-	Windshield wiper	1		
3	-	Roof	1		
4	-	Hose kit heater	1		
5	-	Cab Interior	1		
6	-	Cab cable harness	1		
7	-	Cab, electrical equipment	1		
8	-	Emergency hammer, hook	1		
9	-	Cab, rear cover	1		
10	-	Cab, front cover	1		
11	-	Floor mat	1		
12	-	Step light, wiper switch	1		
14	-	Cab, basic kit	1		
15		Rops	1		
16	-	Air channel	1		
17	-	Sun-blind, inner light	1		

4812119366 Cab, cpl Comfort Screens



Refer to Parts Online for the most up to date information. The printed information might be outdated.

Wed Nov 14 15:03:30 UTC 2018

Item	Part No.	Name	Qty	L	SN INFO
1	4812114586	Front screen	1		
2	4812159184	Rubber list	1XL	A	
3	4812158164	Rear screen middle	1		
4	4812159184	Rubber list	1XL	B	
5	4812114587	Side screen	1		
6	4812159184	Rubber list	1XL	C	
7	4812114588	Sliding screen	1		
8	4812115202	Cab door, cpl	1		
9	4812158165	Rear screen right	1		
10	4812158163	Rear screen left	1		

Comments for Page: Screens

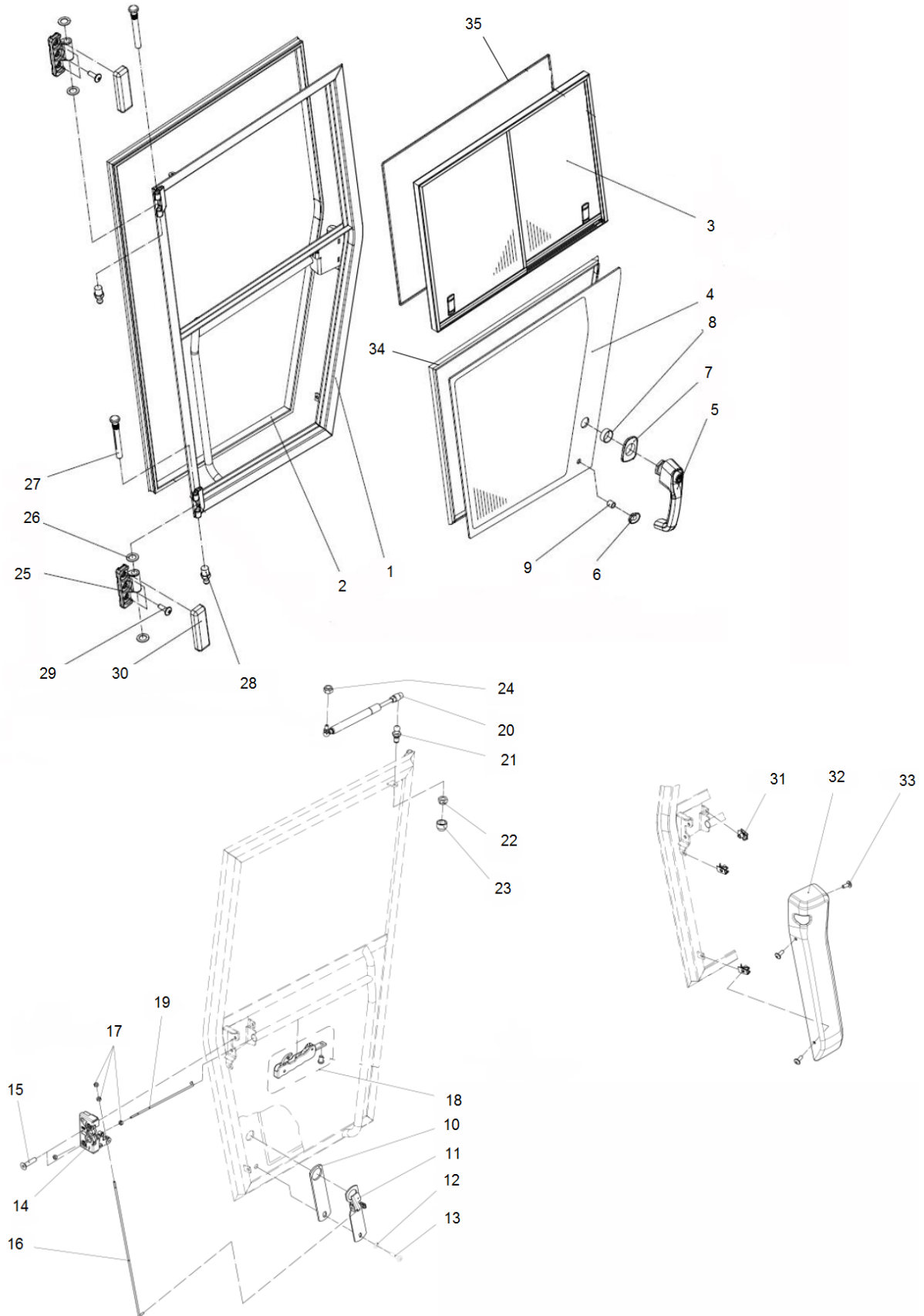
(L)OCAL REMARKS

A | en_US | L=5.002m

B | en_US | L=4.779m

C | en_US | L=2.99m

4812119366 Cab, cpl Comfort 4812115202 Cab door, cpl



Refer to Parts Online for the most up to date information. The printed information might be outdated.

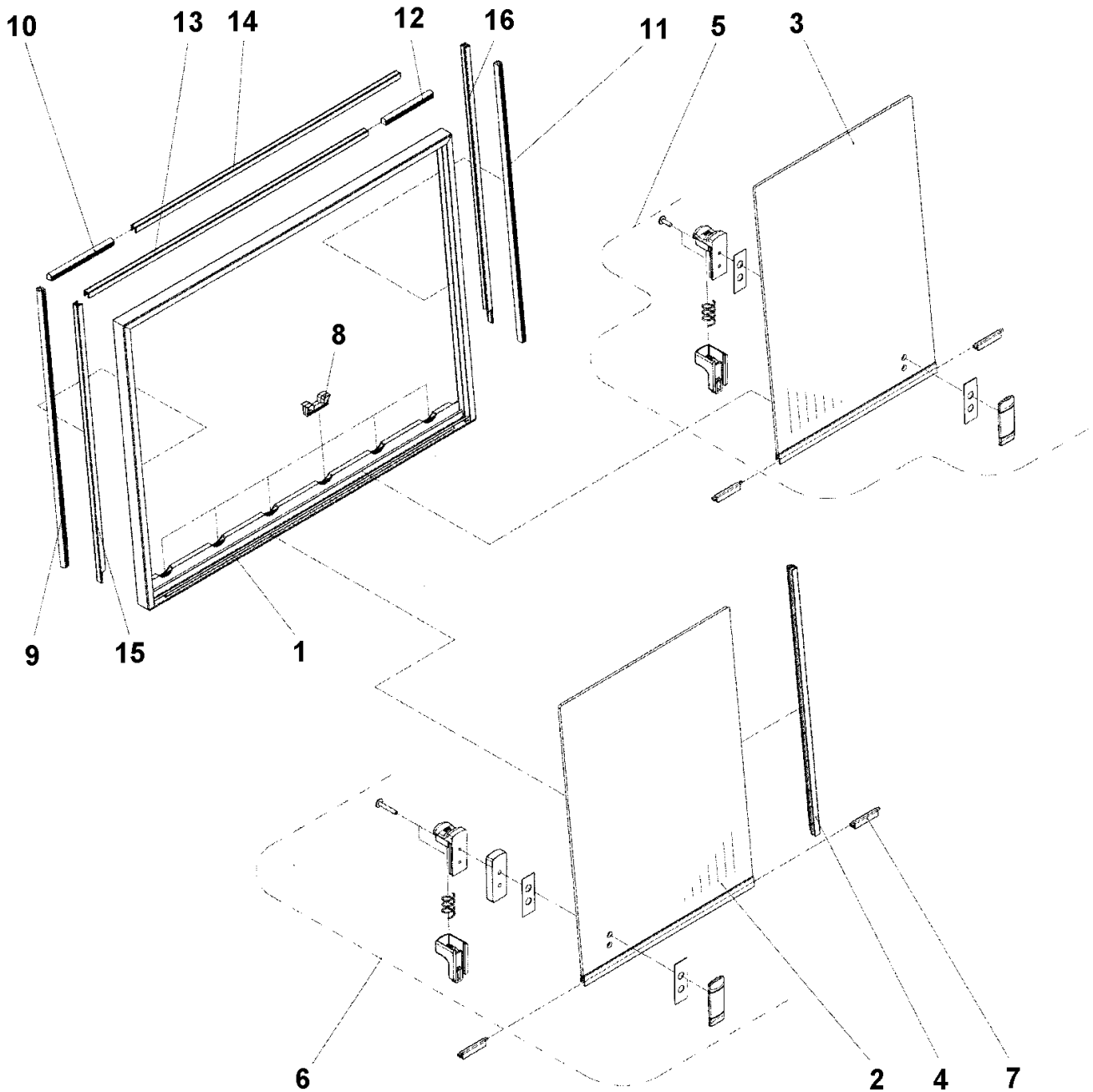
Wed Nov 14 15:03:31 UTC 2018

Item	Part No.	Name	Qty	L	SN INFO
1	4812116199	Door	1		
2	4812159183	Rubber list	4.41		
3	4812115200	Sliding screen, left hand	1		
4	4812114593	Screen	1		
5	4812115203	Handle	1		
5	4812159558	Key (2pcs)	1		
6	4812115204	Washer	1		
7	4812115205	Washer	1		
8	4812115206	Washer	1		
9	4812115207	Bushing	1		
10	4812115208	Rubber gasket	1		
11	4812115209	Bracket	1		
12	4700904228	Washer 6,4x12x1,5	1		
13	-	Screw, M6x25	1		
14	4812115210	Lock	1		
15	-	Screw, M8x35	2		
16	4812115211	Lock rod	1		
17	4700570005	Hexagon nut	4		
18	4812115212	Lock handle	1		
19	4812115213	Lock rod	1		
20	4812115214	Gas spring	1		
21	4812115215	Ball stud	1		
22	4700791182	Nut, M8 -8 DIN985	1		
23	-	Protecting cap	1		
24	4700791182	Nut, M8 -8 DIN985	1		
25	4812115216	Hinge	2		
26	-	Gasket	4		
27	4812115217	Pin	2		
28	-	Lubrication nipple	2		
29	-	Screw, M8x25	6		
30	4812115218	Hinge	2		
31	4812161353	Speed nut	3		
32	4812115201	Door cover	1		
33	4812161352	Screw	3		
34	4812161098	Seal list	2,75 6		
35	4812161099	Seal list	2,77		

Refer to Parts Online for the most up to date information. The printed information might be outdated.

Wed Nov 14 15:03:31 UTC 2018

4812119366 Cab, cpl Comfort 4812115200 Sliding screen, left hand



Refer to Parts Online for the most up to date information. The printed information might be outdated.

Wed Nov 14 15:03:31 UTC 2018

Item	Part No.	Name	Qty	L	SN INFO
1	-	Window frame	1		
2	4812115225	Screen	1		
-	4812161251	Sealing bar	1		
3	4812115226	Screen	1		
4	4812160388	Sealing bar	1		
5	4812115219	Handle	1		
6	4812115220	Handle	1		
7	4812159775	Guide	4		
8	4812115223	Bracket	6		
9	4812161156	Strip	1XL	A	
10	4812161155	Strip	1XL	B	
11	4812161156	Strip	1XL	C	
12	4812161155	Strip	1XL	D	
13	4812160877	Window seal	1XL	E	
14	4812160877	Window seal	1XL	F	
15	4812160877	Window seal	1XL	G	
16	4812160877	Window seal	1XL	H	

Comments for Page: 4812115200 Sliding screen, left hand

(L)OCAL REMARKS

A | en_US | L=0.612m

B | en_US | L=0.15m

C | en_US | L=0.613m

D | en_US | L=0.117m

E | en_US | L=0.676m

F | en_US | L=0.643m

G | en_US | L=0.612m

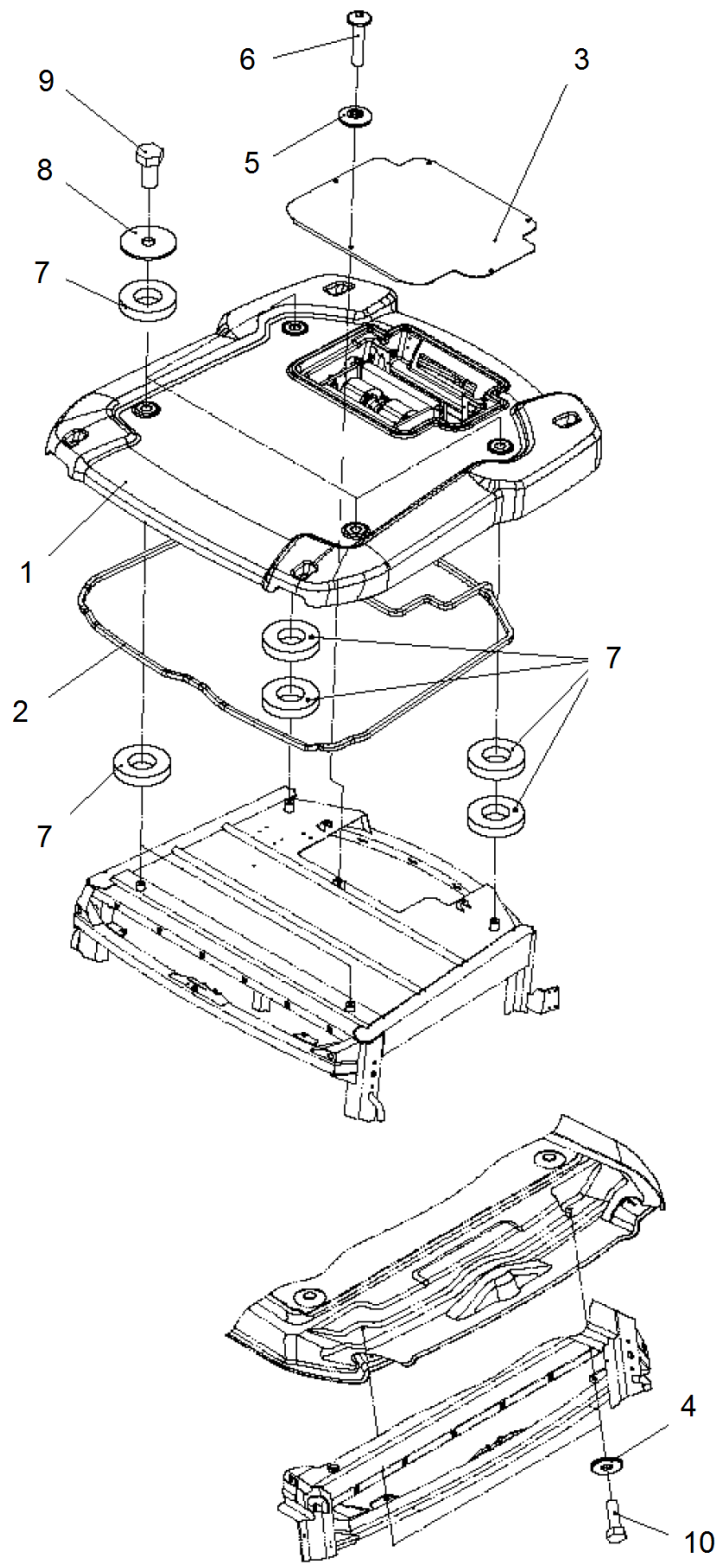
H | en_US | L=0.613m

Item	Part No.	Name	Qty	L	SN INFO
1	4812114606	Bracket	1		
2	-	Gasket	3		
3	-	Screw	3		
4	4812114598	Bolt	1		
5	4812114599	Clamp	1		
6	4812114602	Washer	1		
7	4812114603	Plate	1		
8	4812114600	Wiper motor, front	1		
9	4812114604	Wiper arm w nozzle	1		
10	4812114605	Wiper blade, front	1		
11	4700601003	Washer, 8,4x25x2 mm	2		
12	4700791182	Nut, M8 -8 DIN985	2		
13	-	Spacer	2		
14	-	Gasket	2		
15	4812114601	Wiper motor, rear	1		
16	4812114607	Wiper arm	1		
17	4812114608	Wiper blade, rear	1		
18	4812114610	Nozzle	1		
19	4812114609	Clamp	1		
20	4812114611	Hose	0,42		
21	4812114612	Water tank	1		
21	4812158293	Cap	1		
21	4812160666	Electric washer pump	2		
22	4812161158	Rubber seal	0,20		
23	4812114613	Bracket	1		
24	4700904228	Washer 6,4x12x1,5	7		
25	4700904563	Lock nut M6	3		
26	4812115162	Filling pipe	1		
27	4700313023	Hose clamp	2		
28	4700500013	Screw, M6x16 mm 8.8 A2K	4		
29	4812114611	Hose	0,12		
30	4700908564	Check valve	2		
31	4812114611	Hose	4,40		
32	4700908561	Grommet	2		
33	4812114611	Hose	2,55		
34	4812114611	Hose	0,16		

Refer to Parts Online for the most up to date information. The printed information might be outdated.

Wed Nov 14 15:03:32 UTC 2018

4812119366 Cab, cpl Comfort Roof



Refer to Parts Online for the most up to date information. The printed information might be outdated.

Wed Nov 14 15:03:32 UTC 2018

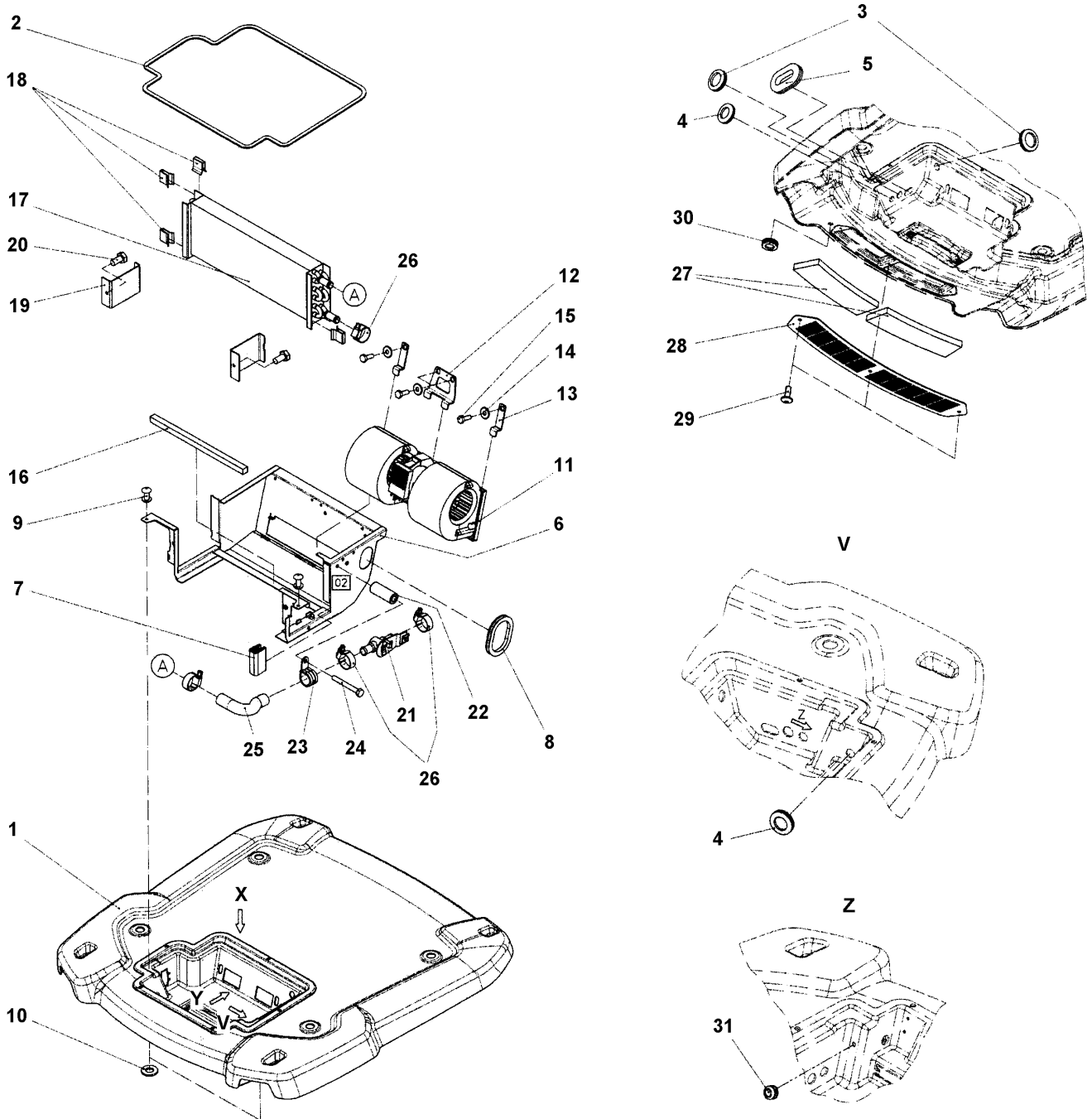
Item	Part No.	Name	Qty	L	SN INFO
1	-	Heater assy	1		
2	4812115164	Rubber strip	1XL	A	
3	4812115165	AC hood	1		
4	4700601003	Washer, 8,4x25x2 mm	2		
5	4812120255	Seal washer	5		
6	4812162571	Screw	5		
7	4812115170	Seal washer	10		
8	4812115171	Washer	4		
9	4812162572	Hexagon screw	4		
10	4700947680	Hexagon head screw m	2		

Comments for Page: Roof

(L)OCAL REMARKS

A | en_US | L=6.7m

4812119366 Cab, cpl Comfort Heater Assy

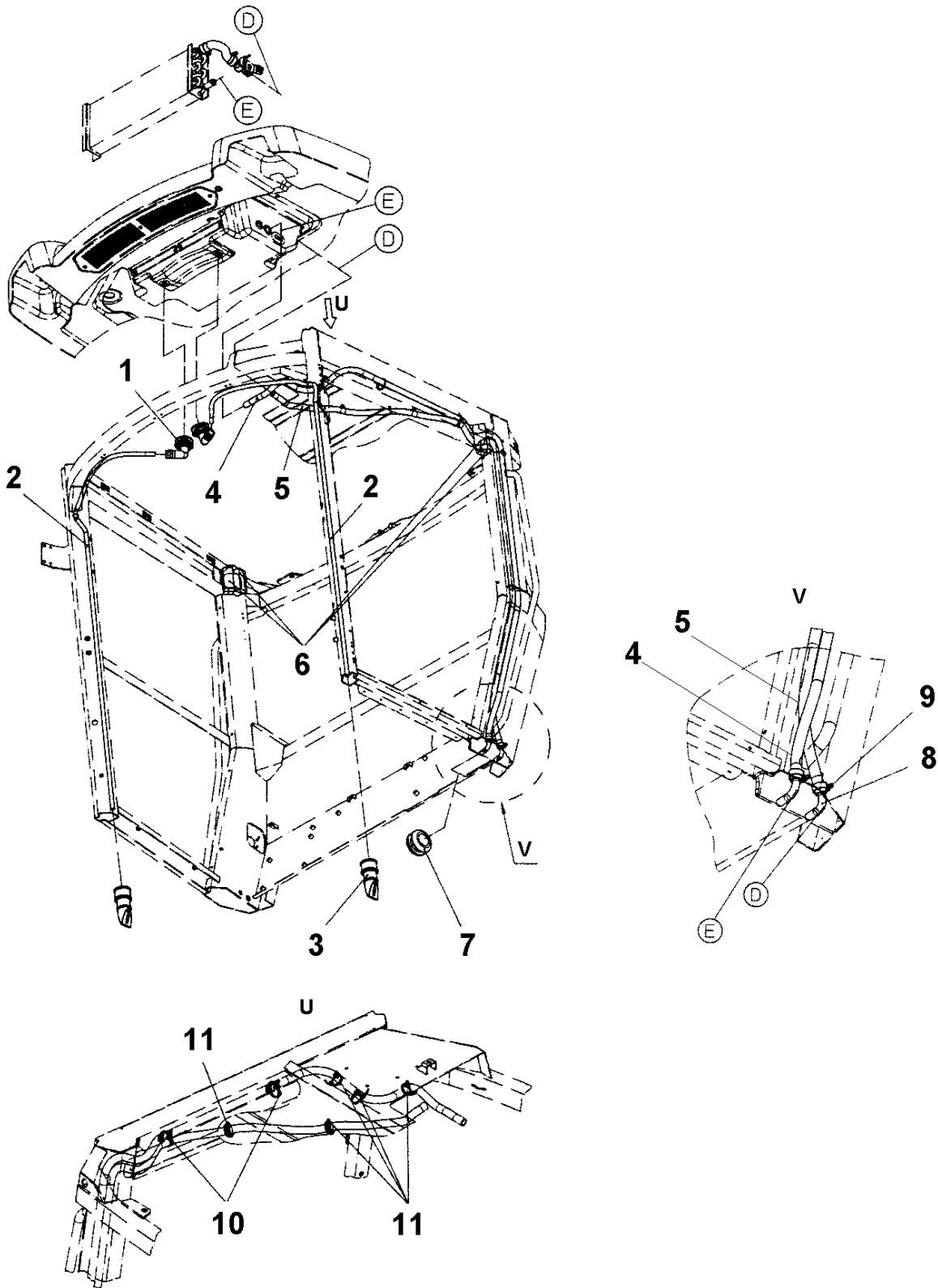


Refer to Parts Online for the most up to date information. The printed information might be outdated.

Wed Nov 14 15:03:32 UTC 2018

Item	Part No.	Name	Qty	L	SN INFO
1	4812116201	Roof	1		
2	4812161165	Foam strip (Xm)	2,56		
3	-	Grommet	2		
4	4700929587	Grommet	2		
5	4812115228	Grommet	1		
6	4812115229	Bracket	1		
7	4700202028	Edge trim	0,03		
8	4812115186	Cover	1		
9	4700791666	Blind rivet	2		
10	4700904229	Washer, 8.4x 6x1.5 mm 300HV	2		
11	4812158485	Fan 24V	1		
12	4812115230	Bracket	1		
13	4812116192	Bracket	2		
14	4700904229	Washer, 8.4x 6x1.5 mm 300HV	4		
15	-	Hexagon screw	4		
16	4812115164	Rubber strip	0,41		
17	4812116193	Heater coil	1		
18	4812116194	Clip	4		
19	4812116195	Bracket	2		
20	4700500012	Hex. screw	2		
21	4700939693	Heater control valve	1		
22	4700372174	Spacer	1		
23	4700903670	Clamp	1		
24	4700500079	Screw M6-1x50 8,8	1		
25	4700205112	Coolant hose	0,15		
26	4700313004	Hose clamp 19-29mm	4		
27	4812116197	Air filter	2		
28	4812116198	Cover	1		
29	4812161352	Screw	3		
30	4700791475	Grommet	1		
31	-	Grommet	1		

4812119366 Cab, cpl Comfort Hose kit heater



Refer to Parts Online for the most up to date information. The printed information might be outdated.

Wed Nov 14 15:03:32 UTC 2018

Item	Part No.	Name	Qty	L	SN INFO
1	4812115167	Connector	2		
2	4812115168	Drain hose	2XL	A	
3	4812115169	Drain valve	2		
4	4700205112	Coolant hose	1XL	B	
5	4700205112	Coolant hose	1XL	C	
6	-	Foam	1		
7	-	Grommet	1		
8	4812115172	Connection pipe	2		
9	4700313004	Hose clamp 19-29mm	2		
10	4700313041	Cable ties	2		
11	4700792441	Cable tie with holder	5		

Comments for Page: Hose kit heater

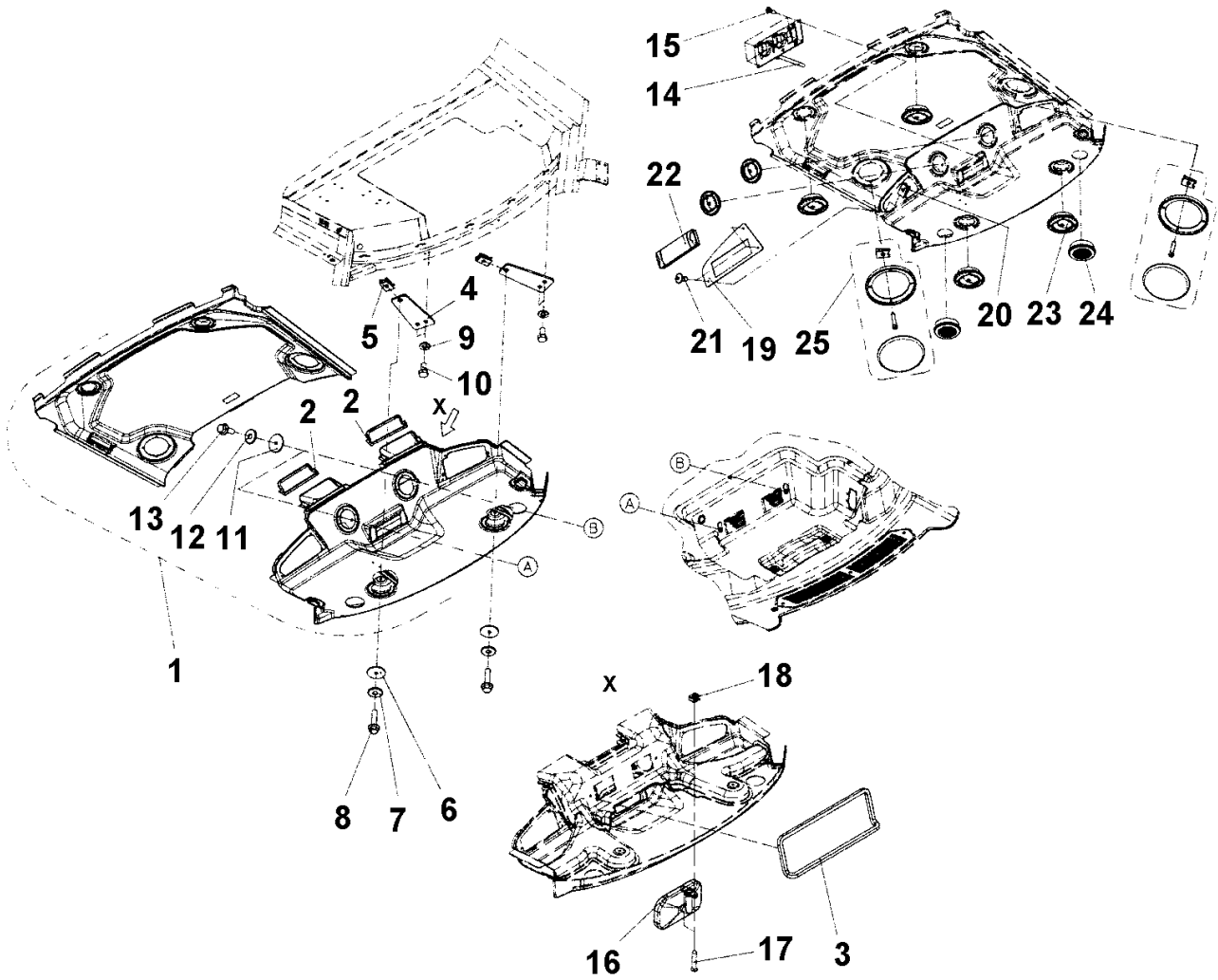
(L)OCAL REMARKS

A | en_US | L=1.96m

B | en_US | L=2.831m

C | en_US | L=2.5m

4812119366 Cab, cpl Comfort Cab Interior



Refer to Parts Online for the most up to date information. The printed information might be outdated.

Wed Nov 14 15:03:33 UTC 2018

Item	Part No.	Name	Qty	L	SN INFO
1	4812158992	Inner panel, cpl	1		
2	4812160772	Rubber list	2XL	A	
3	4812160771	Seal	1XL	B	
4	4812115175	Bracket	2		
5	4812114567	Speed nut	2		
6	4812120269	Sealing washer	2		
7	4700928381	Washer, 6.4x18x1.6 mm	2		
8	4812162654	Screw	2		
9	4700904228	Washer 6,4x12x1,5	4		
10	4700500012	Hex. screw	4		
11	4812120269	Sealing washer	2		
12	4700928381	Washer, 6.4x18x1.6 mm	2		
13	4700792119	Screw, M6x16 mm 8.8 A2K	2		
14	-	Heater controls	1		
15	-	Screw	4		
16	4812115177	Mirror	1		
17	4812159768	Screw	2		
18	4812159767	Speed nut	2		
19	4812115178	Radio console	1		
20	4811000458	Speed nut	3		
21	-	Screw	3		
22	4812115179	Radio cover	1		
23	4812115180	Air nozzle	6		
24	-	Air inlet cover	2		
25	-	Speaker cover	2		

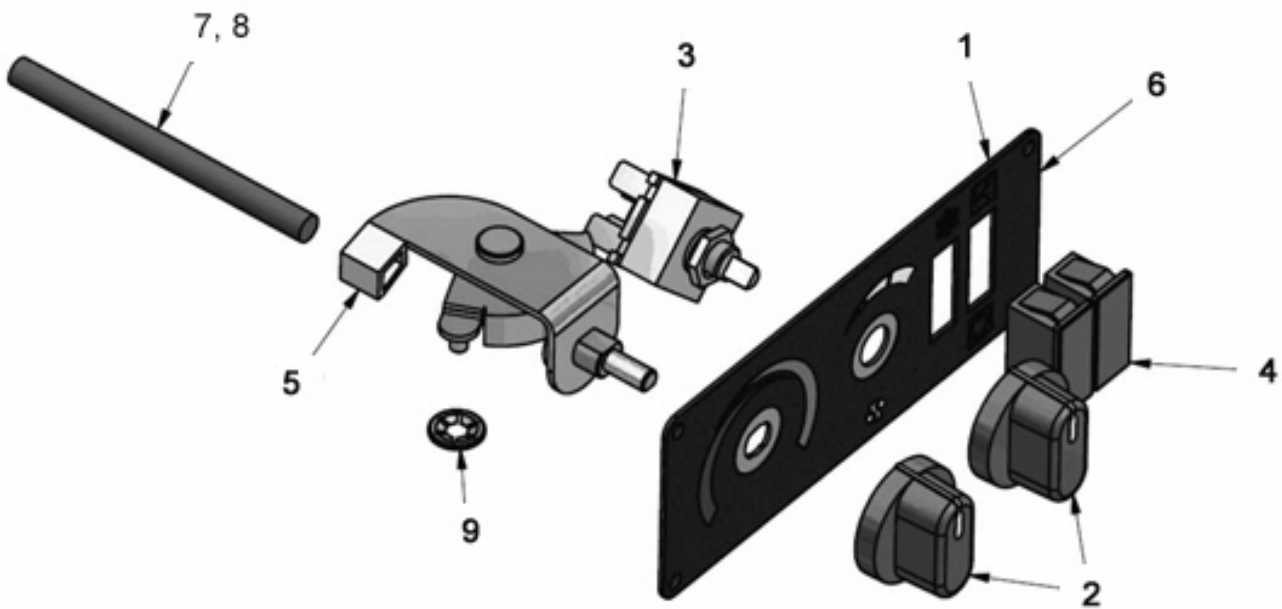
Comments for Page: Cab Interior

(L)OCAL REMARKS

A | en_US | L=0.525m

B | en_US | L=0.915m

4812119366 Cab, cpl Comfort Heater controls

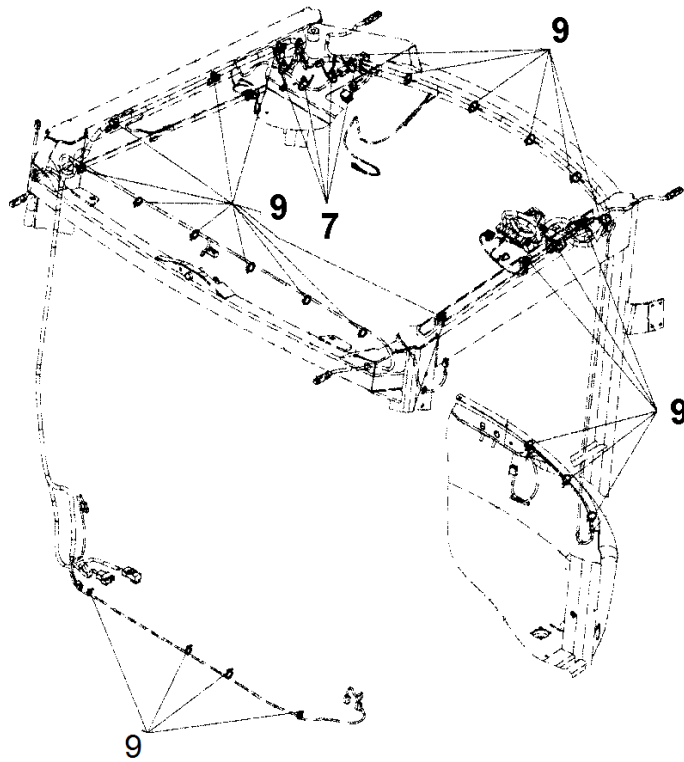
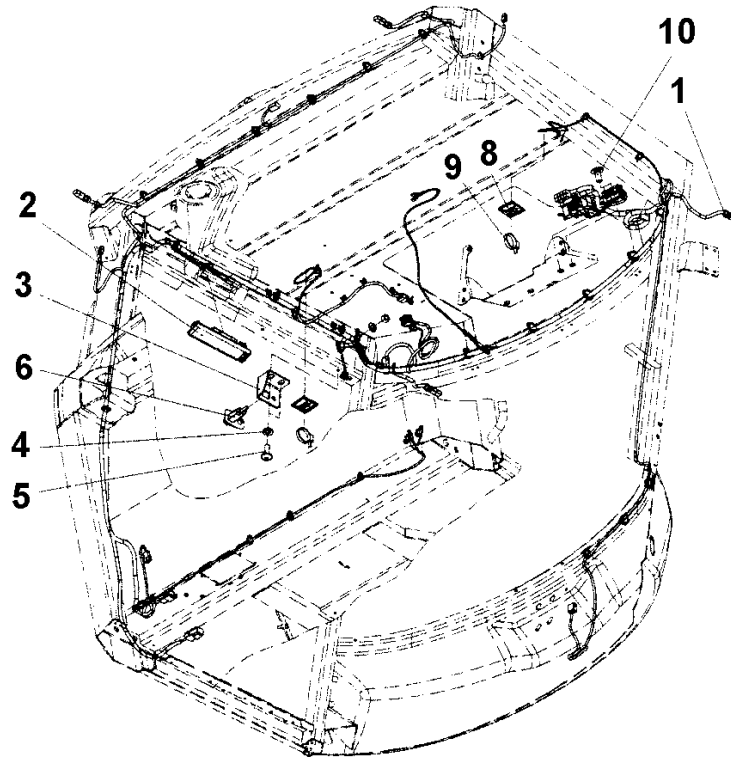


Refer to Parts Online for the most up to date information. The printed information might be outdated.

Wed Nov 14 15:03:33 UTC 2018

Item	Part No.	Name	Qty	L	SN INFO
1	-	Panel plate	1		
2	4700377508	Knob	2		
3	4700938622	Switch	1		
4	-	Injector part	2		
5	4700377507	Rotary control	1		
6	-	Overlay	1		
7	4700395841	Wire clips	1		
8	-	Wire	1		
9	4700395843	Lock washer	2		

4812119366 Cab, cpl Comfort Cab cable harness

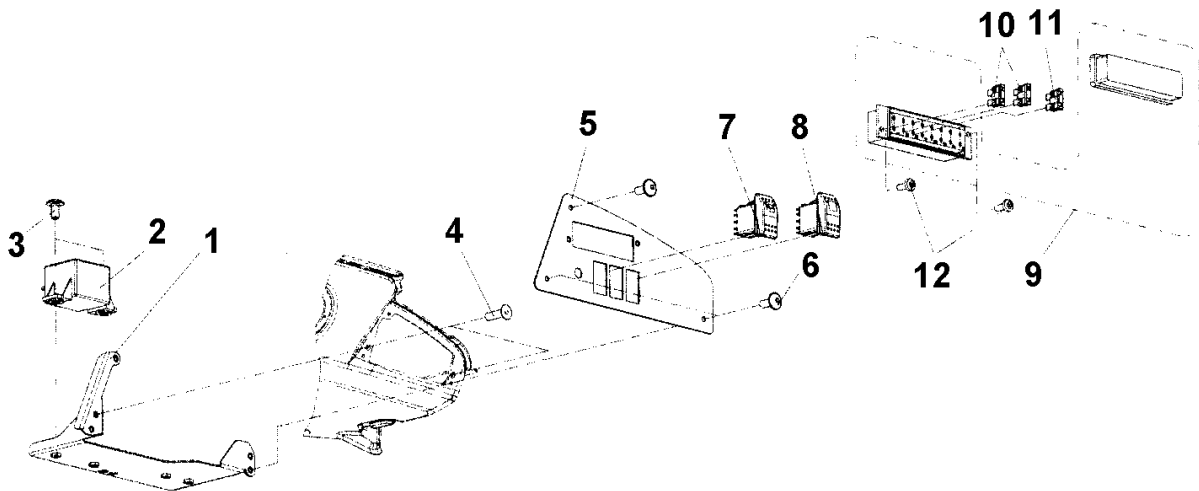


Refer to Parts Online for the most up to date information. The printed information might be outdated.

Wed Nov 14 15:03:33 UTC 2018

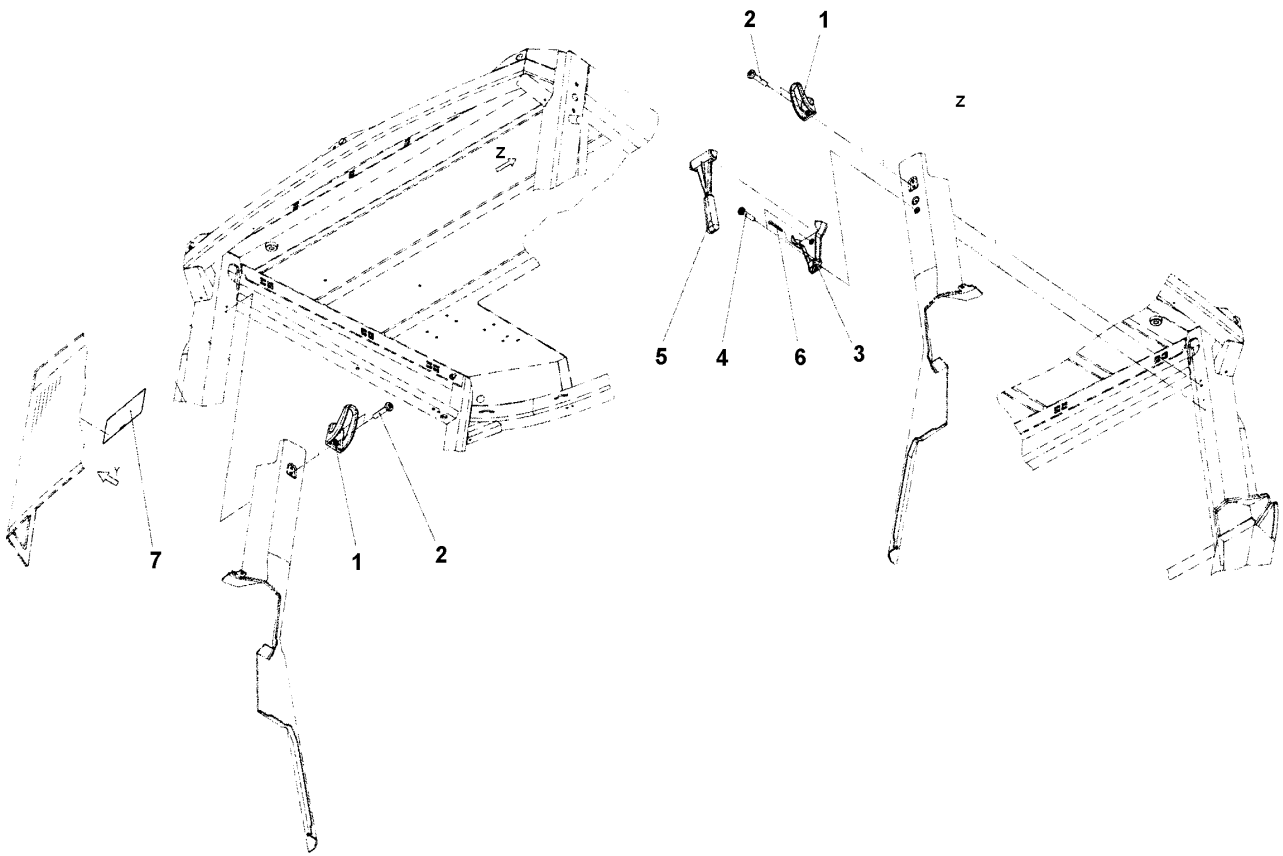
Item	Part No.	Name	Qty	L	SN INFO
1	4812115181	Cable harness	1		
2	4812120257	Inner light	1		
2	4700792715	Bulb, 10W	2		
3	4812115182	Bracket	1		
4	4700904228	Washer 6,4x12x1,5	2		
5	-	Screw	2		
6	4812115183	Door switch	1		
7	4700792441	Cable tie with holder	4		
8	4812161370	Cable support	2		
9	4700313041	Cable ties	28		
10	-	Screw	2		

4812119366 Cab, cpl Comfort Cab, electrical equipment



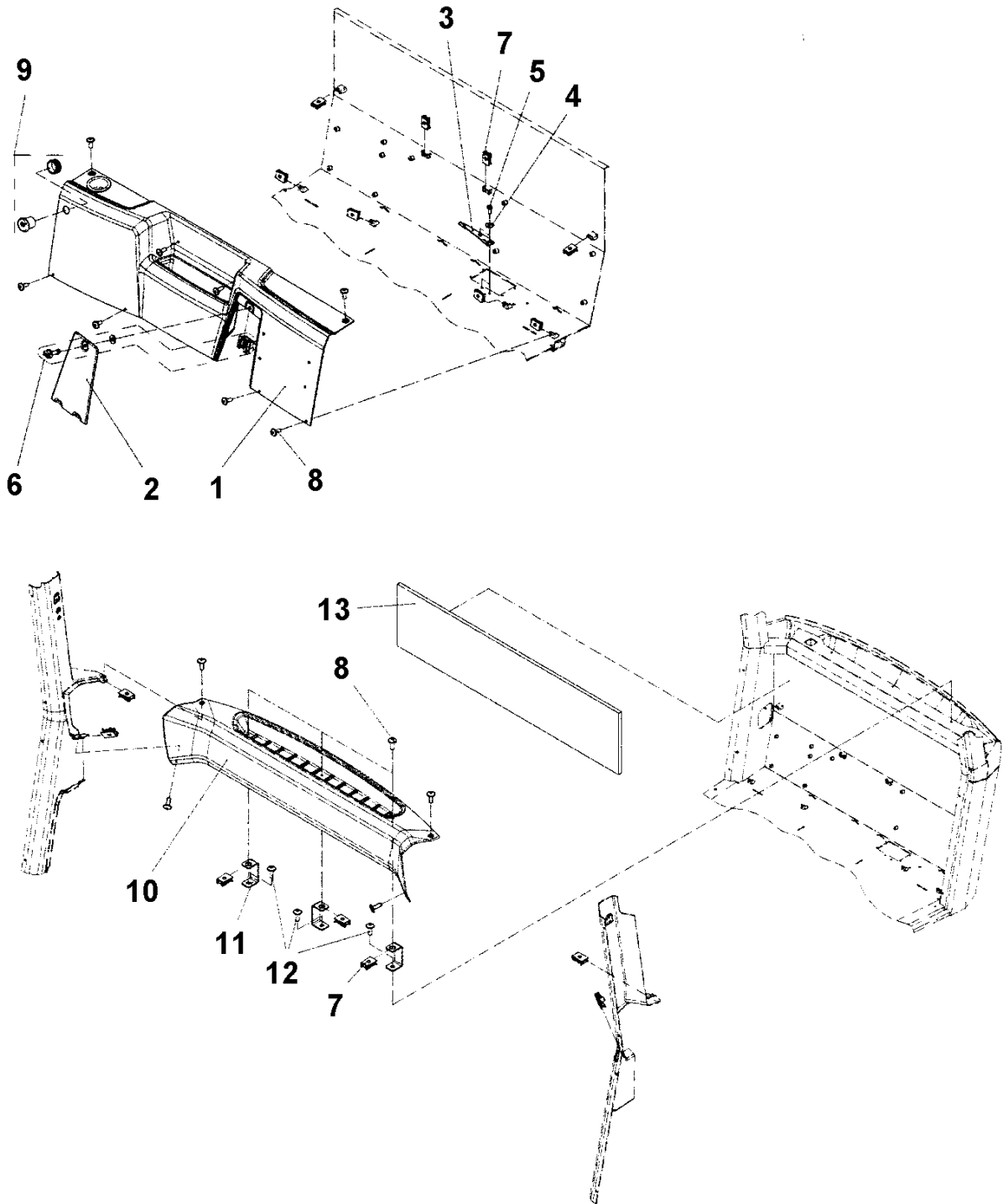
Item	Part No.	Name	Qty	L	SN INFO
1	4812115184	Bracket	1		
2	4700792309	Relay	1		
3	-	Screw	2		
4	4700904504	Screw M5 x 18	2		
5	4812115185	Bracket	1		
6	-	Screw	3		
7	4812115187	Switch, Windshield wiper, rear	1		
8	4700792505	Switch, Windshield washers	1		
9	4700791185	Fuse box	1		
10	4700901227	Fuse 10A Red	2		
11	4700901228	Fuse, 15A Blue	1		
12	4700791966	Head screw M4 x 12	2		

4812119366 Cab, cpl Comfort Emergency hammer, hook



Item	Part No.	Name	Qty	L	SN INFO
1	4700908505	Hook	2		
2	-	Screw	4		
3	4700908506	Emergency hammer hook	1		
4	-	Screw	2		
5	4700908507	Emergency hammer	1		
6	-	Pin	1		
7	4700903590	Decal emergency exit	1		

4812119366 Cab, cpl Comfort Cab, rear cover

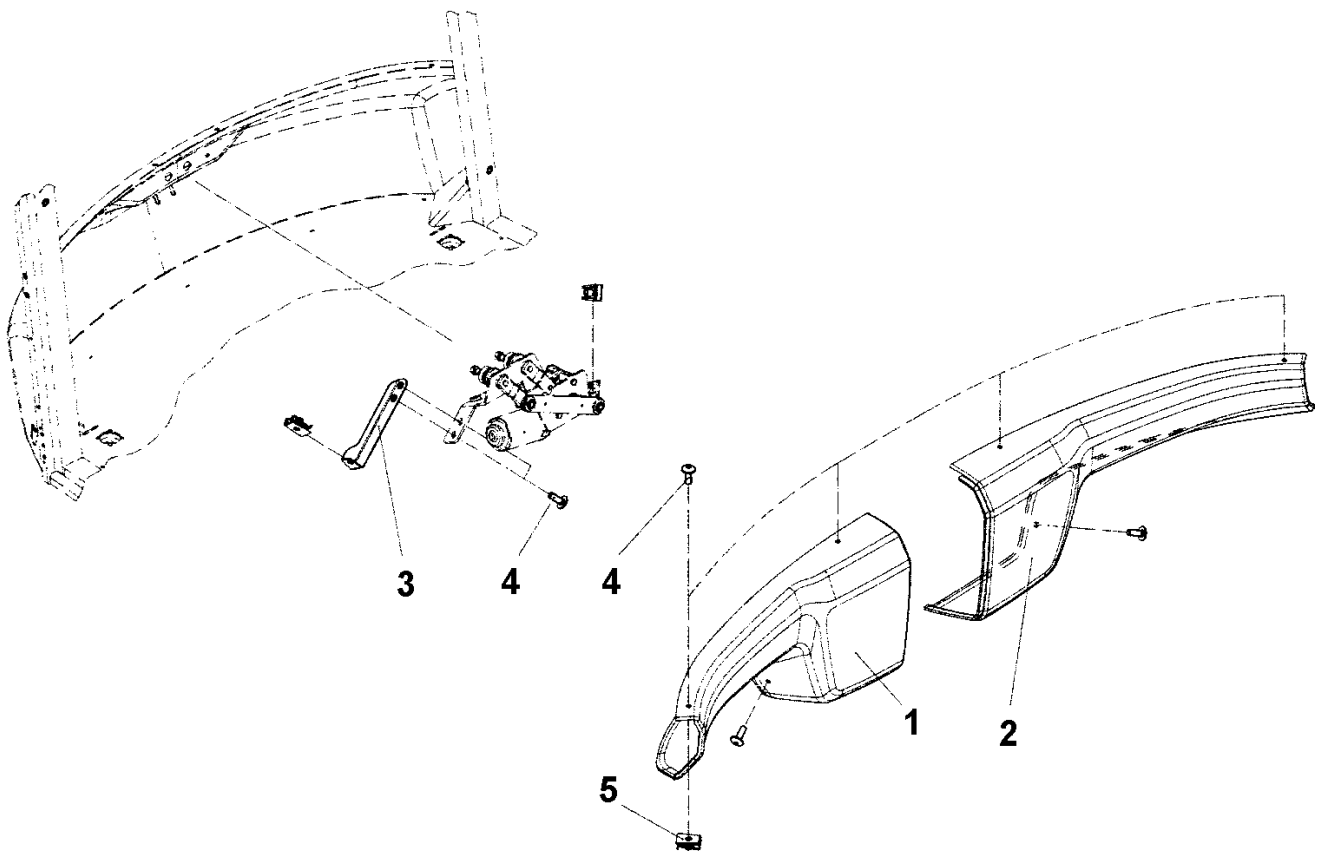


Refer to Parts Online for the most up to date information. The printed information might be outdated.

Wed Nov 14 15:03:34 UTC 2018

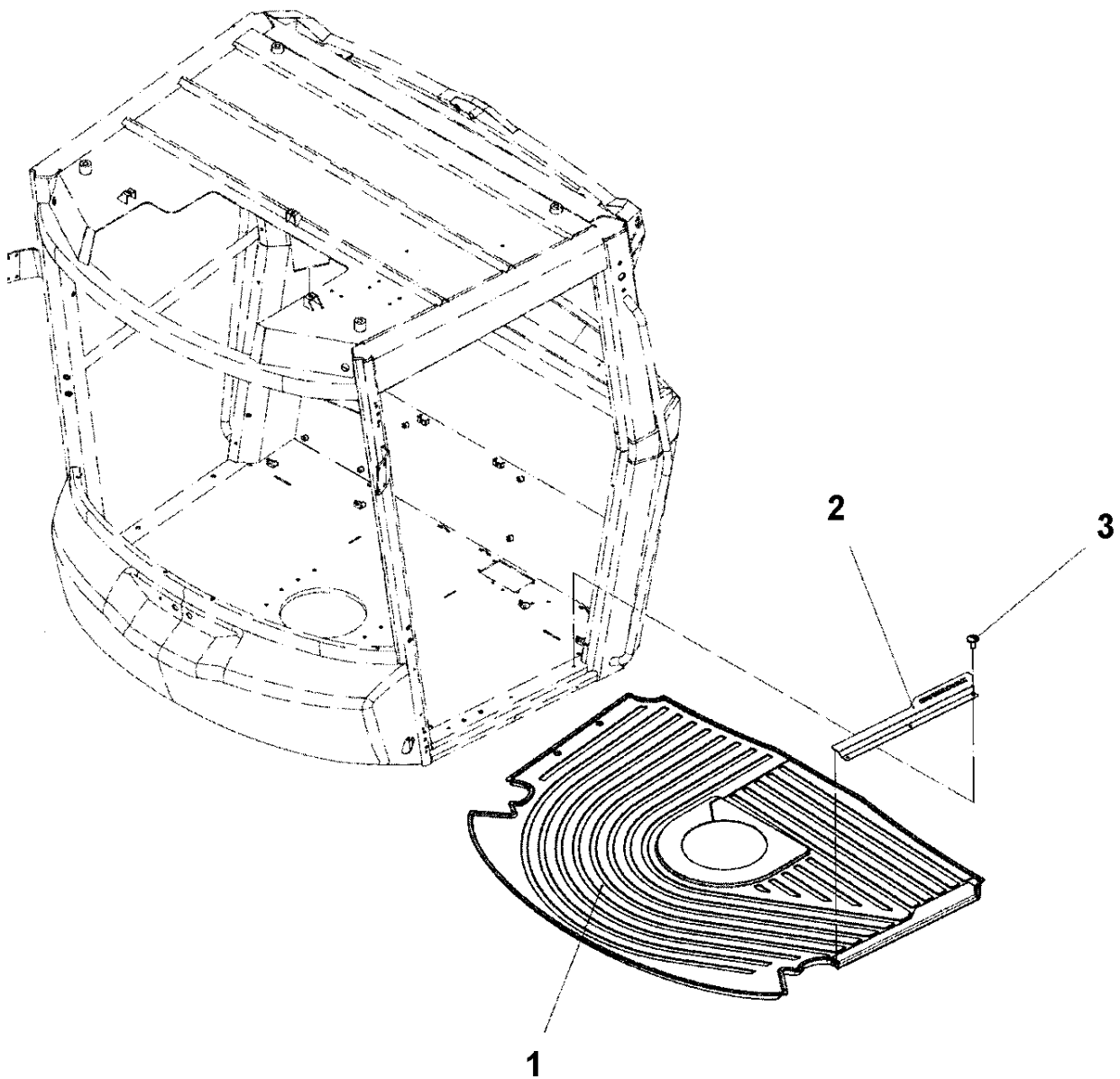
Item	Part No.	Name	Qty	L	SN INFO
1	4812114573	Cover	1		
2	4812114564	Service cover	1		
3	4812114565	Bracket	1		
4	4700601001	Washer	2		
5	4700500004	Screw M5x12 8,8	2		
6	4812114566	Turn fastener	1		
7	4812114567	Speed nut	15		
8	4812161352	Screw	15		
9	4700395816	Plug socket 24V	1		
10	4812114574	Cover	1		
11	4812114575	Bracket	3		
12	4812161352	Screw	3		
13	4812114576	Cover	1		

4812119366 Cab, cpl Comfort Cab, front cover



Item	Part No.	Name	Qty	L	SN INFO
1	4812114570	Cover	1		
2	4812114571	Cover	1		
3	4812114572	Bracket	1		
4	4812161352	Screw	8		
5	4812114567	Speed nut	6		

4812119366 Cab, cpl Comfort Floor mat

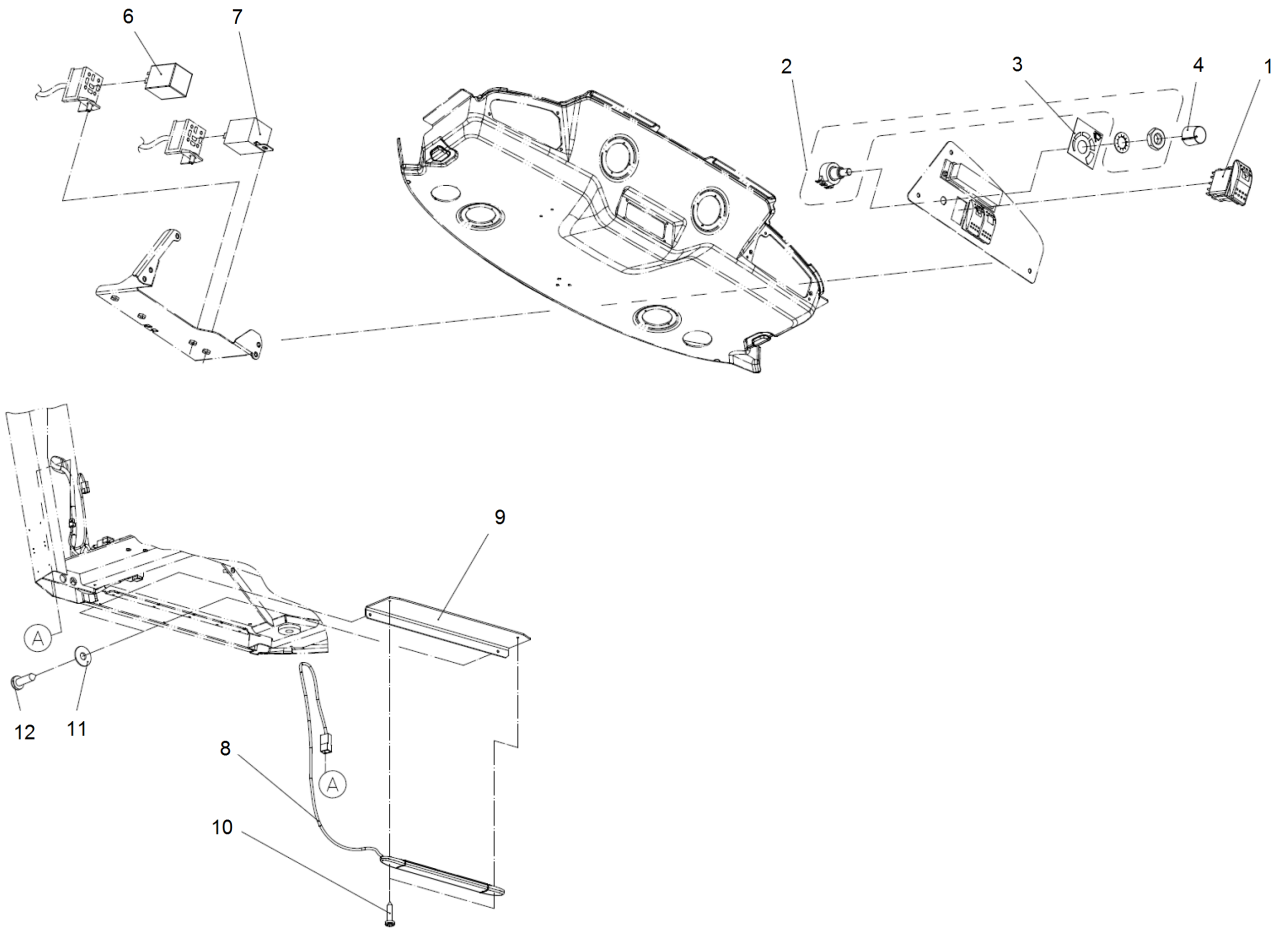


Refer to Parts Online for the most up to date information. The printed information might be outdated.

Wed Nov 14 15:03:34 UTC 2018

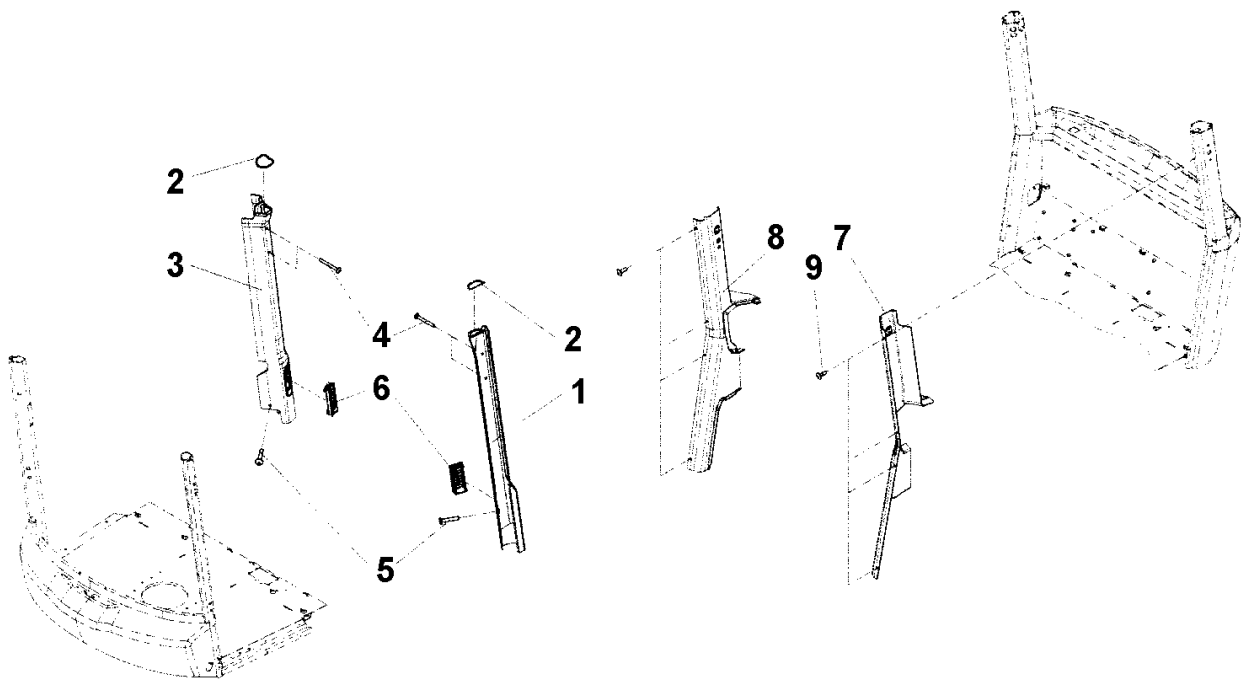
Item	Part No.	Name	Qty	L	SN INFO
1	4812115197	Floor mat	1		
2	4812115198	Entrance plate	1		
3	4812161371	Screw	3		

4812119366 Cab, cpl Comfort Step light, front wiper switches



Item	Part No.	Name	Qty	L	SN INFO
1	4812115188	Switch, front wiper	1		
2	4812115189	Potentiometer	1		
3	-	Decal	1		
4	4812158859	Turning knob	1		
6	4812115190	Wiper Interval Relay	1		
7	4812115191	Time control unit	1		
8	4812115199	Step light	1		
9	4812115224	Bracket	1		
10	-	Screw	2		
11	-	Gasket	2		
12	-	Screw	2		

4812119366 Cab, cpl Comfort Air channel



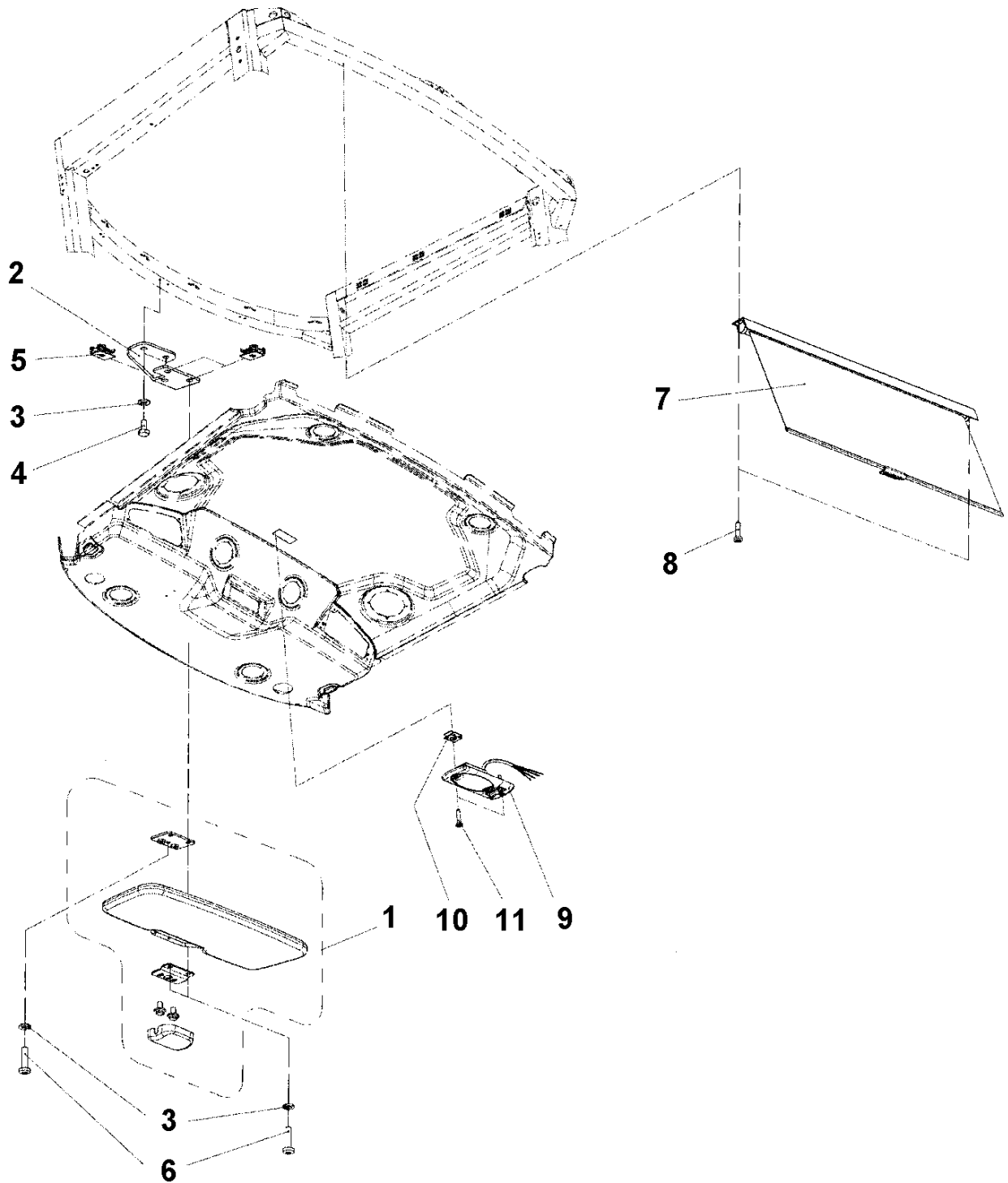
Item	Part No.	Name	Qty	L	SN INFO
1	4812114577	Air channel	1		
2	4812161099	Seal list	2XL	A	
3	4812114578	Air channel	1		
4	-	Screw	4		
5	-	Screw	2		
6	4812114579	Air nozzle	2		
7	4812114580	Cover	1		
8	4812114581	Cover	1		
9	-	Screw	8		

Comments for Page: Air channel

(L)OCAL REMARKS

A | en_US | L=0.195m

4812119366 Cab, cpl Comfort Sun-blind, inner light

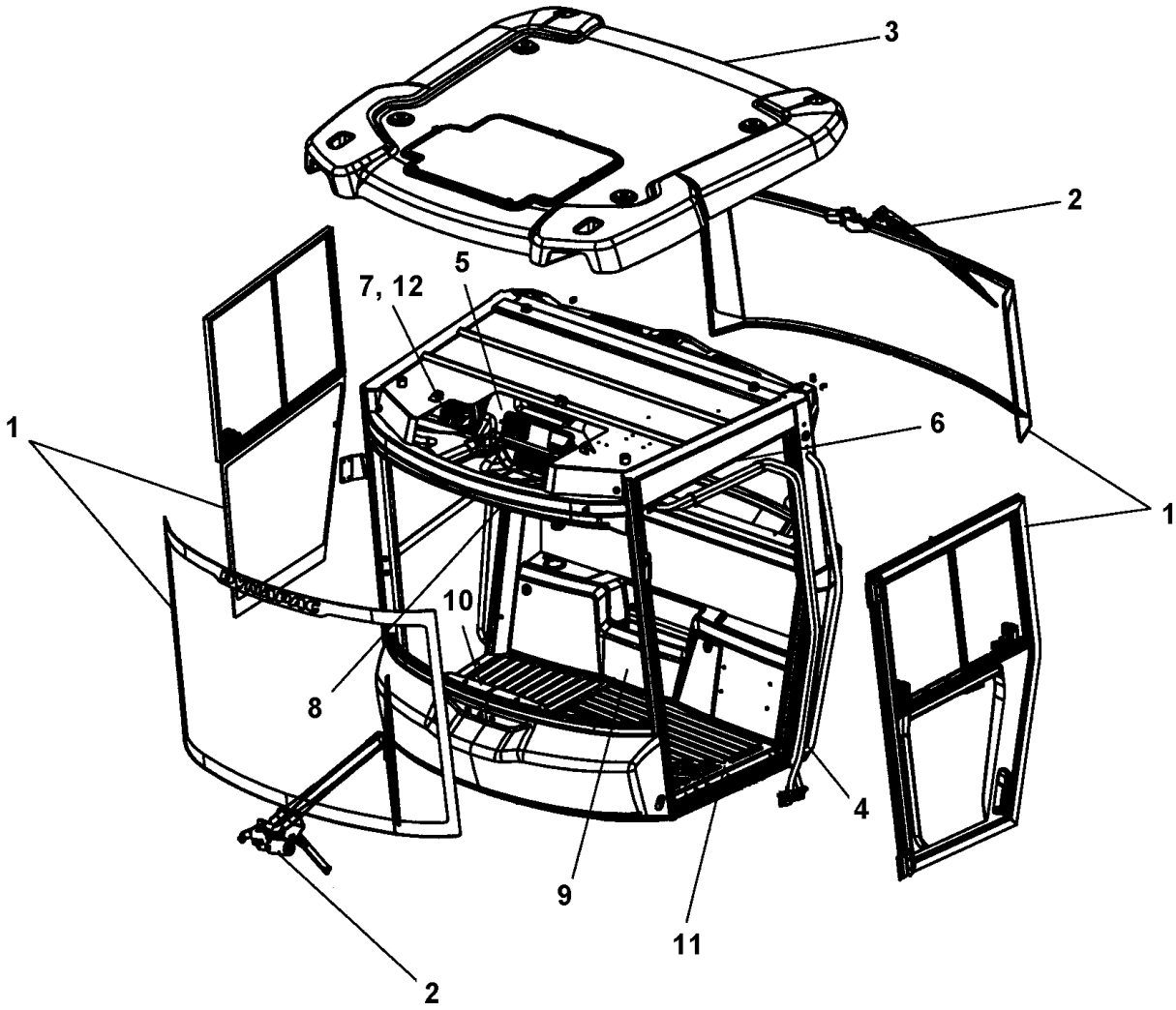


Refer to Parts Online for the most up to date information. The printed information might be outdated.

Wed Nov 14 15:03:35 UTC 2018

Item	Part No.	Name	Qty	L	SN INFO
1	4812114582	Sun-blind	1		
2	4812114583	Bracket	1		
3	4700904228	Washer 6,4x12x1,5	5		
4	4700500012	Hex. screw	2		
5	4812114567	Speed nut	3		
6	4700791171	Screw	3		
7	4812114584	Sun-blind	1		
8	4700904206	Screw, M6x16 mm	2		
9	4812114585	Inner light	1		
10	-	Lock nut	2		
11	-	Screw	2		

4812119367 Cab, cpl Basic 4812119367 Cab, cpl Basic

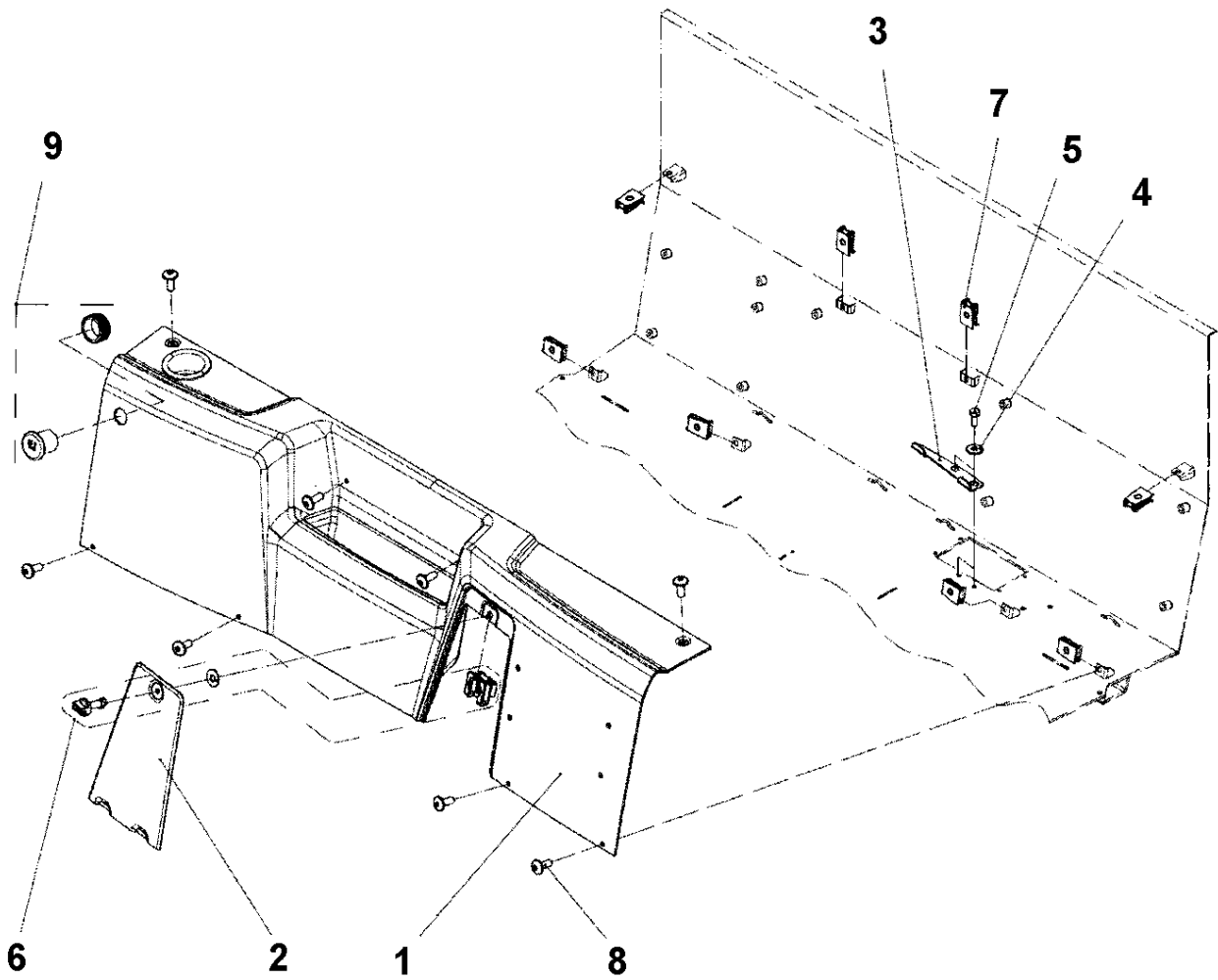


Refer to Parts Online for the most up to date information. The printed information might be outdated.

Wed Nov 14 15:03:36 UTC 2018

Item	Part No.	Name	Qty	L	SN INFO
1	-	Screens	1		
2	-	Windshield wiper	1		
3	-	Roof	1		
4	-	Hose kit heater	1		
5	-	Cab Interior	1		
6	-	Cab cable harness	1		
7	-	Cab, electrical equipment	1		
8	-	Emergency hammer, hook	1		
9	-	Cab, rear cover	1		
10	-	Cab, front cover	1		
11	4812114568	Floor mat	1		
12	-	Wiper switch, front	1		
14	-	Cab, basic kit	1		
15		Rops	1		

4812119367 Cab, cpl Basic Cab, rear cover

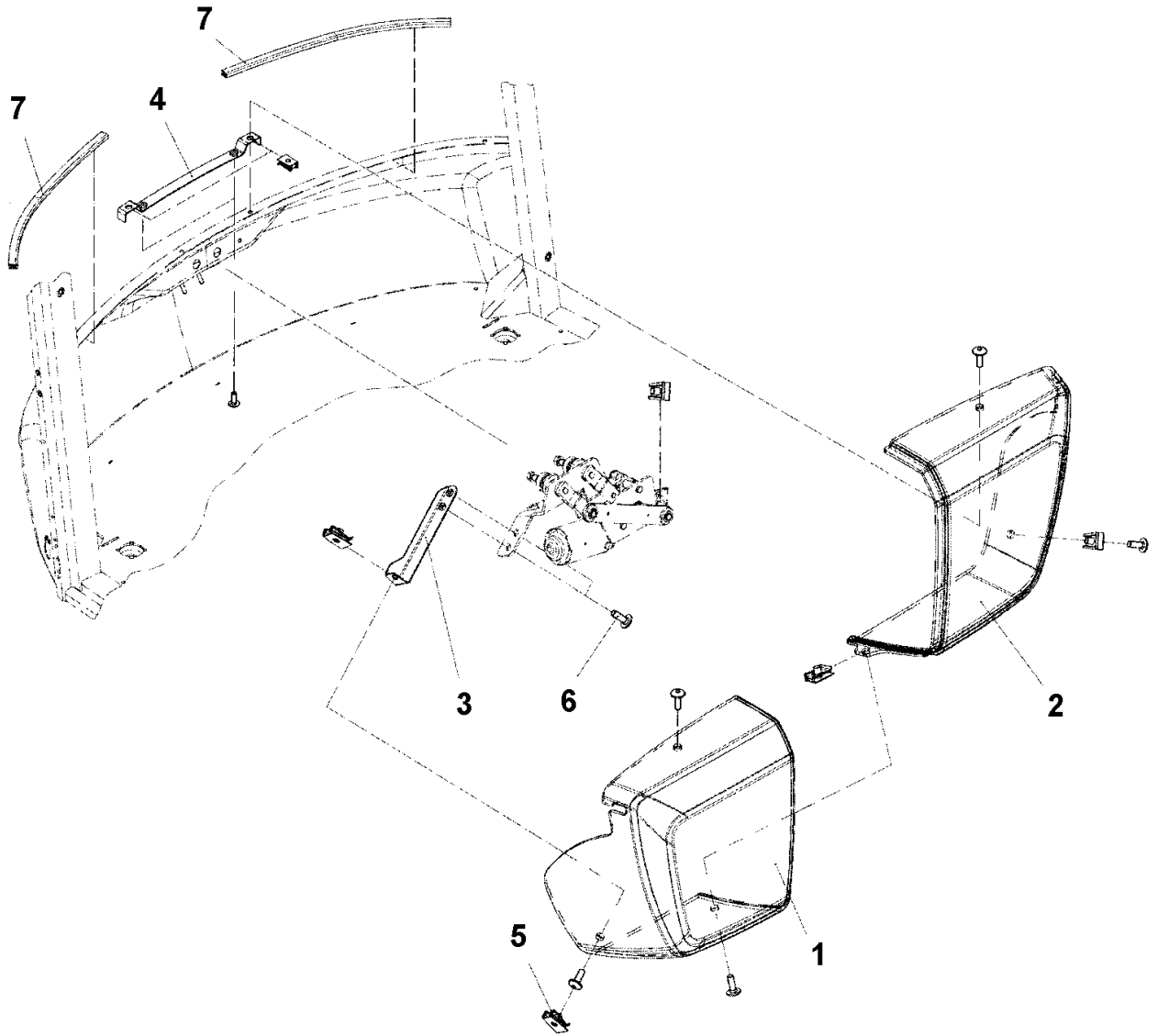


Refer to Parts Online for the most up to date information. The printed information might be outdated.

Wed Nov 14 15:03:36 UTC 2018

Item	Part No.	Name	Qty	L	SN INFO
1	4812114563	Rear cover	1		
2	4812114564	Service cover	1		
3	4812114565	Bracket	1		
4	4700601001	Washer	2		
5	4700500004	Screw M5x12 8,8	2		
6	4812114566	Turn fastener	1		
7	4812114567	Speed nut	8		
8	-	Screw	8		
9	-	Socket, 24V	1		

4812119367 Cab, cpl Basic Cab, front cover



Refer to Parts Online for the most up to date information. The printed information might be outdated.

Wed Nov 14 15:03:36 UTC 2018

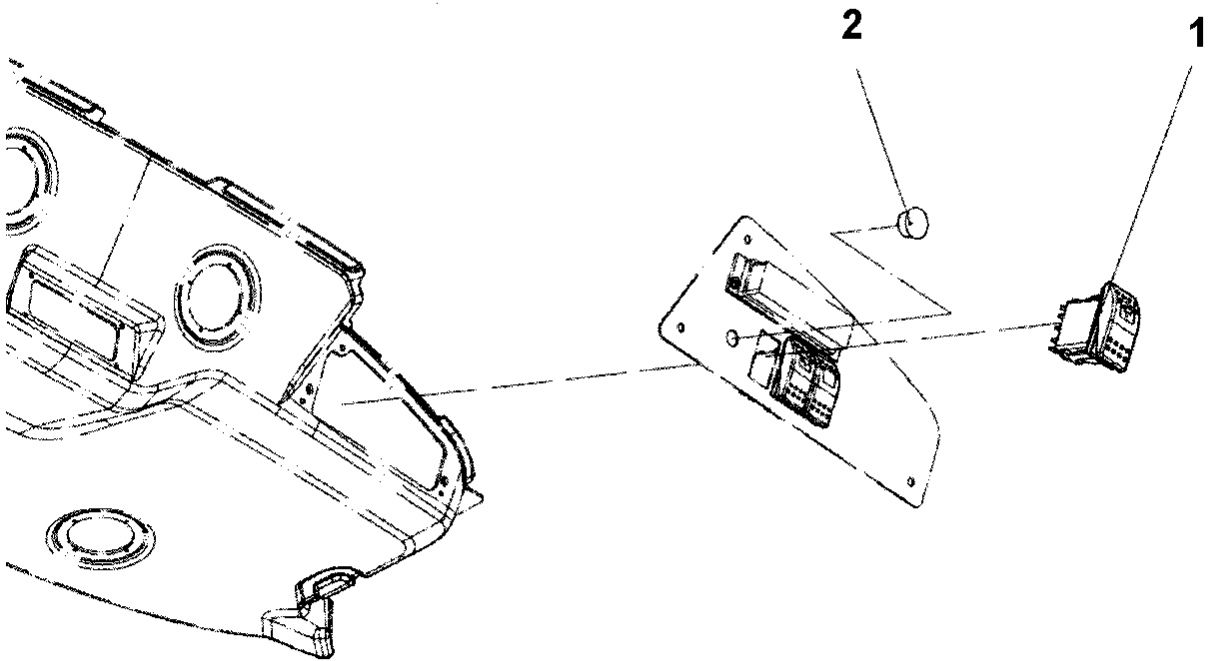
Item	Part No.	Name	Qty	L	SN INFO
1	-	Front cover Left	1		
2	-	Front cover Right	1		
3	4812114572	Bracket	1		
4	-	Bracket	1		
5	4812114567	Speed nut	5		
6	-	Screw	9		
7	4700202028	Edge trim	2XL	A	

Comments for Page: Cab, front cover

(L)OCAL REMARKS

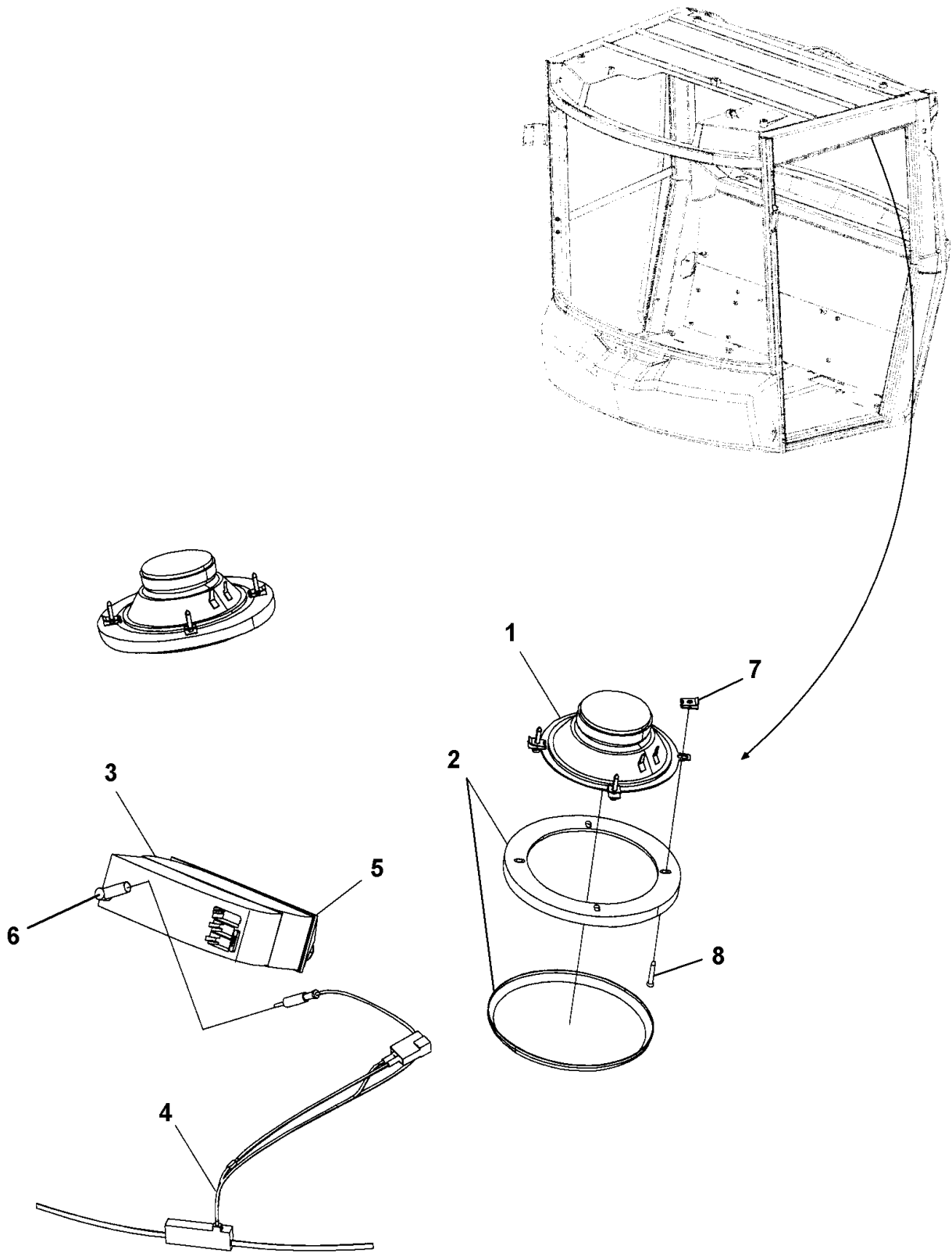
A | en_US | L=0.473m

4812119367 Cab, cpl Basic Wiper switch, front



Item	Part No.	Name	Qty	L	SN INFO
1	4812115192	Switch	1		
2	4700921723	Plug	1		

Drivers platform Car stereo module, option

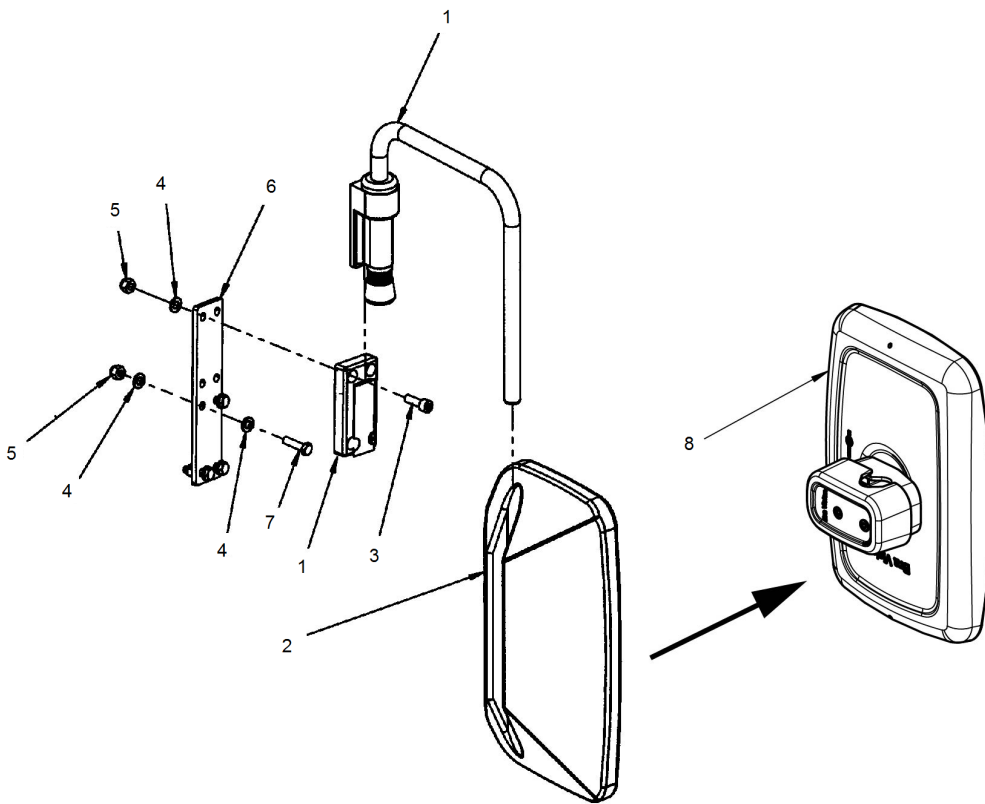


Refer to Parts Online for the most up to date information. The printed information might be outdated.

Wed Nov 14 15:03:37 UTC 2018

Item	Part No.	Name	Qty	L	SN INFO
1	4811000268	Loud speaker	2		
2	4811000269	Loud speaker cover	2		
3	4811000265	Car stereo	1		
4	4812114194	Antenna	1		
5	4812116986	Spacer frame	1		
6	4812119306	Antenna adapter	1		
7	4700791970	Speed nut	8		
8	4812119327	Tapping screw	8		

Drivers platform Rear view mirror



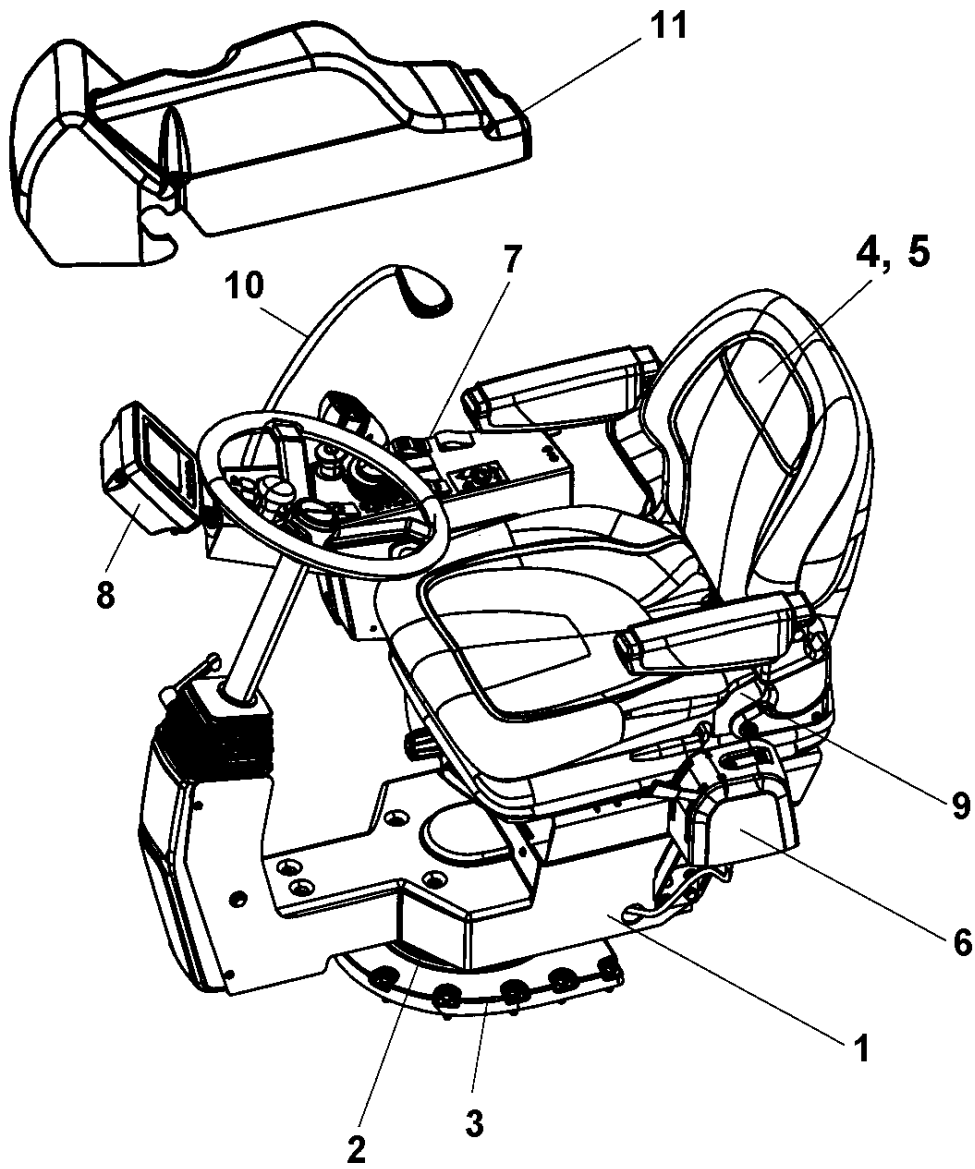
Item	Part No.	Name	Qty	L	SN INFO
1	4812110367	Bracket	1		
2	4700381943	Mirror	1		
2.1	4812161276	Mirror glass	1		
3	4700508019	Cylinder screw	4		
4	4700904229	Washer, 8.4x 6x1.5 mm 300HV	12		
5	4700586003	Lock nut M8	12		
6	4812117964	Bracket	1	A	
7	4700500022	Screw	4		
8	4812125407	Mirror	1		
8.1	-	Mirror glass	1		

Comments for Page: Rear view mirror

(L)OCAL REMARKS

A | en_US | Not used on all models.

Drivers seat Drivers seat



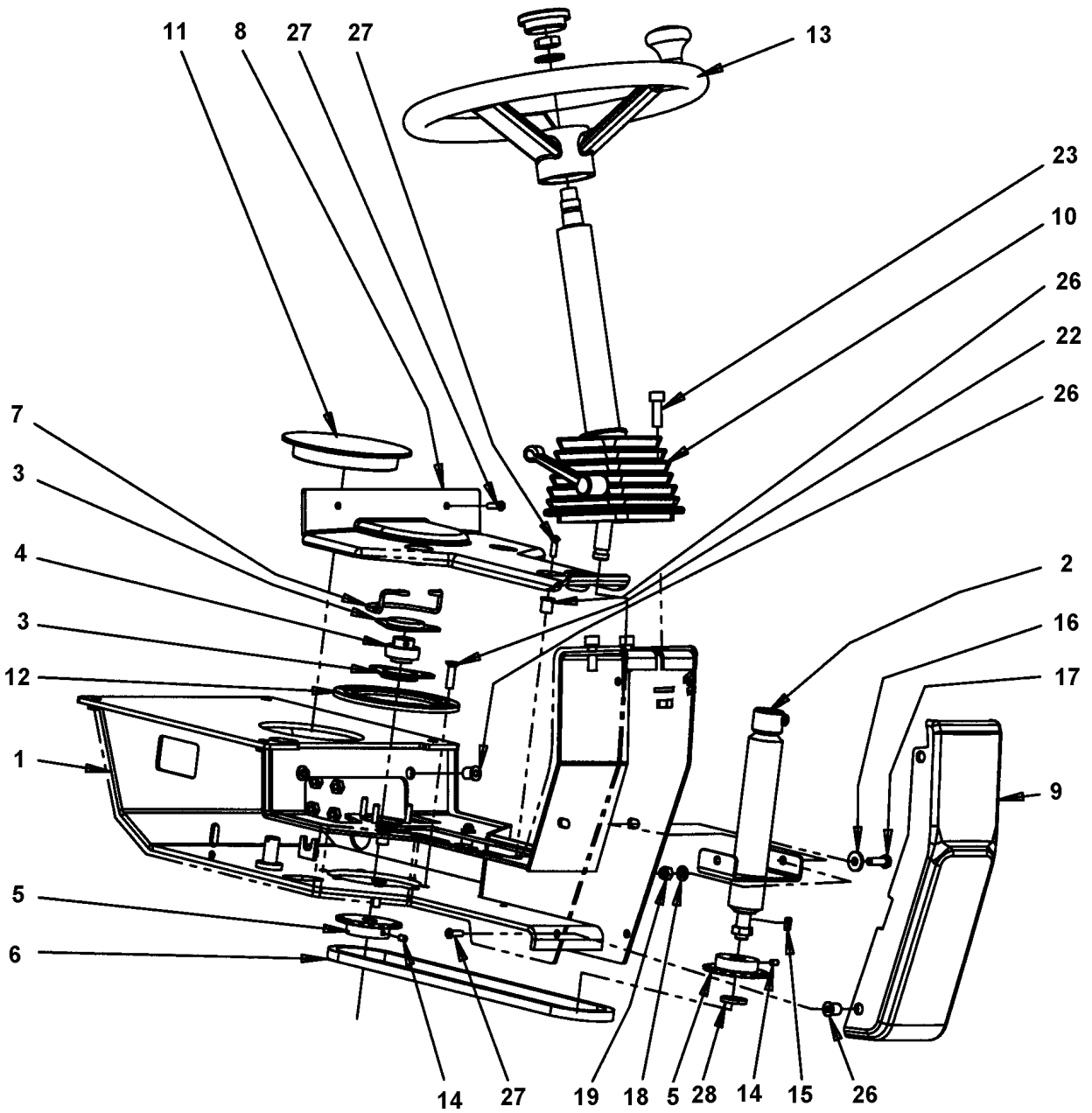
Item	Part No.	Name	Qty	L	SN INFO
1	-	Seat frame structure	1		
2	-	Seat frame adapter module, rotating	1		
2	-	Seat frame adapter module, fixed	1		
3	-	Floor cassette module	1		
4	-	Seat, fabric suspensioned	1		
5	-	Seat, galon suspensioned	1		
6	-	Control module	1		
7	-	Forward reverse control module	1		
8	-	Display unit	1		
9	-	Seat belt 2"	1		
9	-	Seat belt 3"	1	A	
9	-	Seat belt 2" with reminder	1	A	
9	-	Seat belt 3" with reminder	1	A	
10	-	Reading light	1		
11	-	Control panel cover	1		

Comments for Page: Drivers seat

(L)OCAL REMARKS

A | en_US | Option.

Drivers seat Seat frame structure

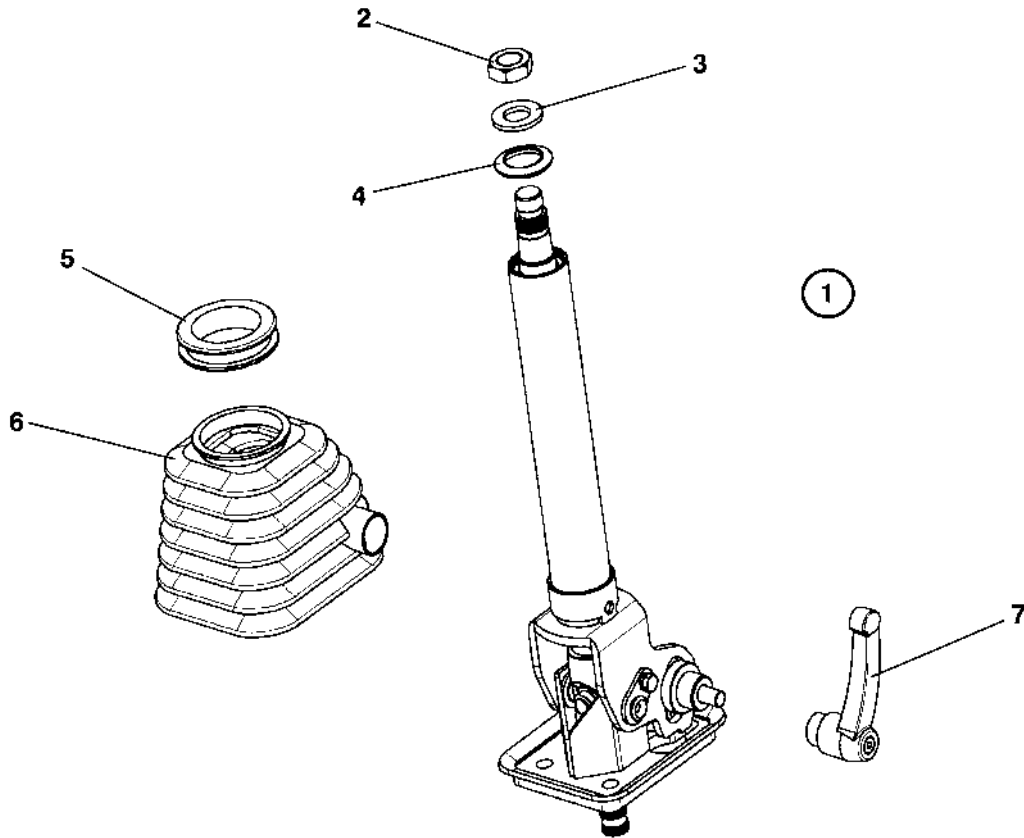


Refer to Parts Online for the most up to date information. The printed information might be outdated.

Wed Nov 14 15:03:38 UTC 2018

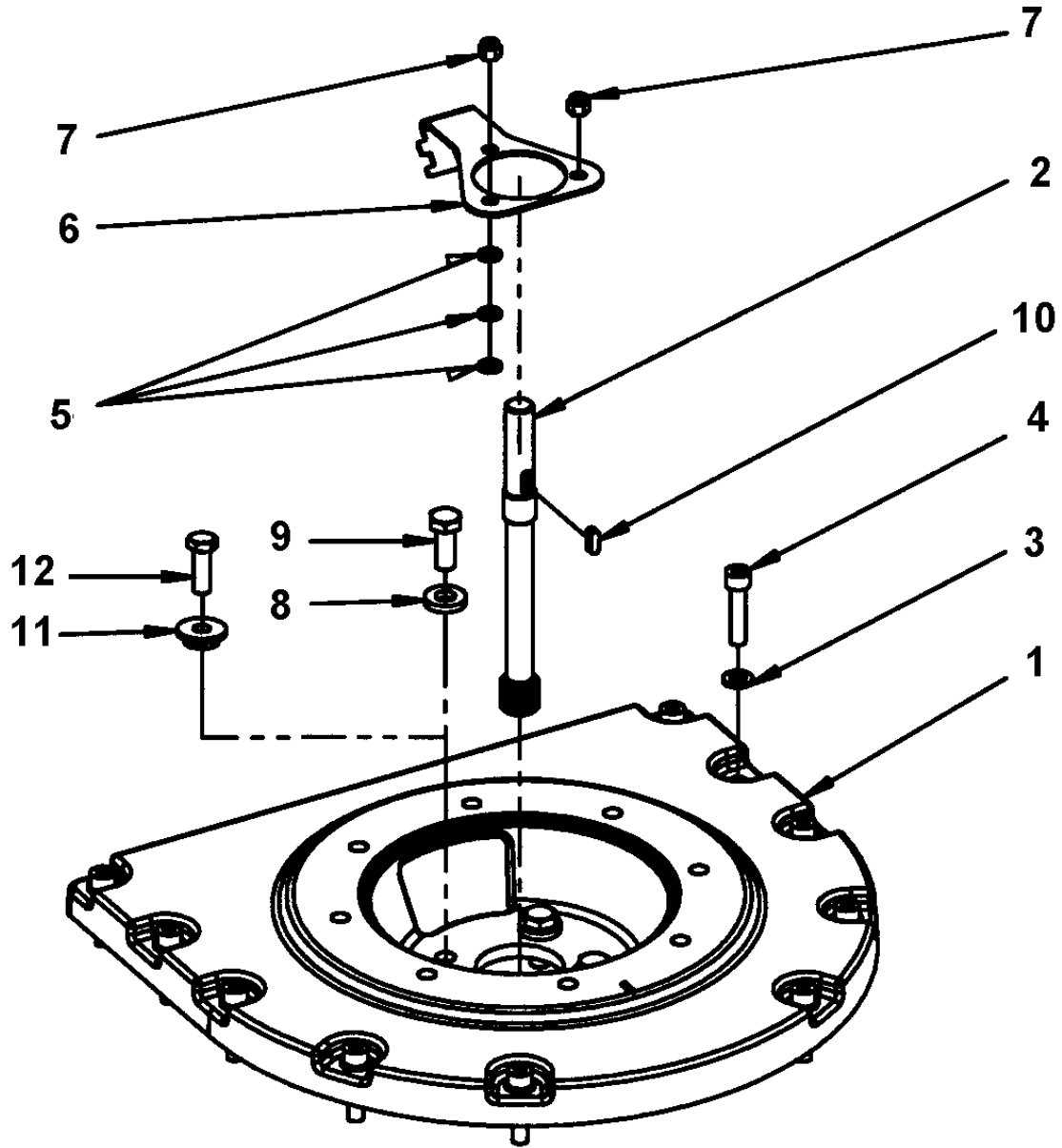
Item	Part No.	Name	Qty	L	SN INFO
1	4700395447	Seat frame	1		
2	4700359919	Shaft	1		
3	4700903917	Bearing outer	2		
4	4700903918	Bearing inner	1		
5	4700359916	Chain wheel	2		
6	4700379718	Chain and connecting link	1		
7	4700372672	Chain guard	1		
8	4700392839	Cover	1		
9	4700392840	Cover	1		
10	4700391163	Steering column	1		
11	4700359920	Plug	1		
12	4700372965	Lock ring	1		
13	4700372964	Steering wheel	1		
14	4700516040	Threaded pin	2		
15	4700350009	Flat key	1		
16	4700904640	Washer, 8.4x22x3 mm 300HV	2		
17	4700500021	Screw, M8x25 mm 8.8 A2K	2		
18	4700904229	Washer, 8.4x 6x1.5 mm 300HV	2		
19	4700586003	Lock nut M8	2		
22	4700902520	Screw	6		
23	4700508029	Cylinder screw	3		
26	4700792539	Rubber nut	10		
27	4700791524	Screw, M6 x 20 mm A2-70	10		
28	4700904214	Washer 15x30x4 300 HV	1		

Drivers seat 4700391163 Steering column



Item	Part No.	Name	Qty	L	SN INFO
1	4700391163	Steering column			
2	4700945632	Nut	1		
3	4700945633	Washer	1		
4	4700945634	Rubber cap	1		
5	4700945635	Bellows ring	1		
6	4700945636	Bellows	1		
7	4700945637	Locking handle	1		

Drivers seat Floor cassette module

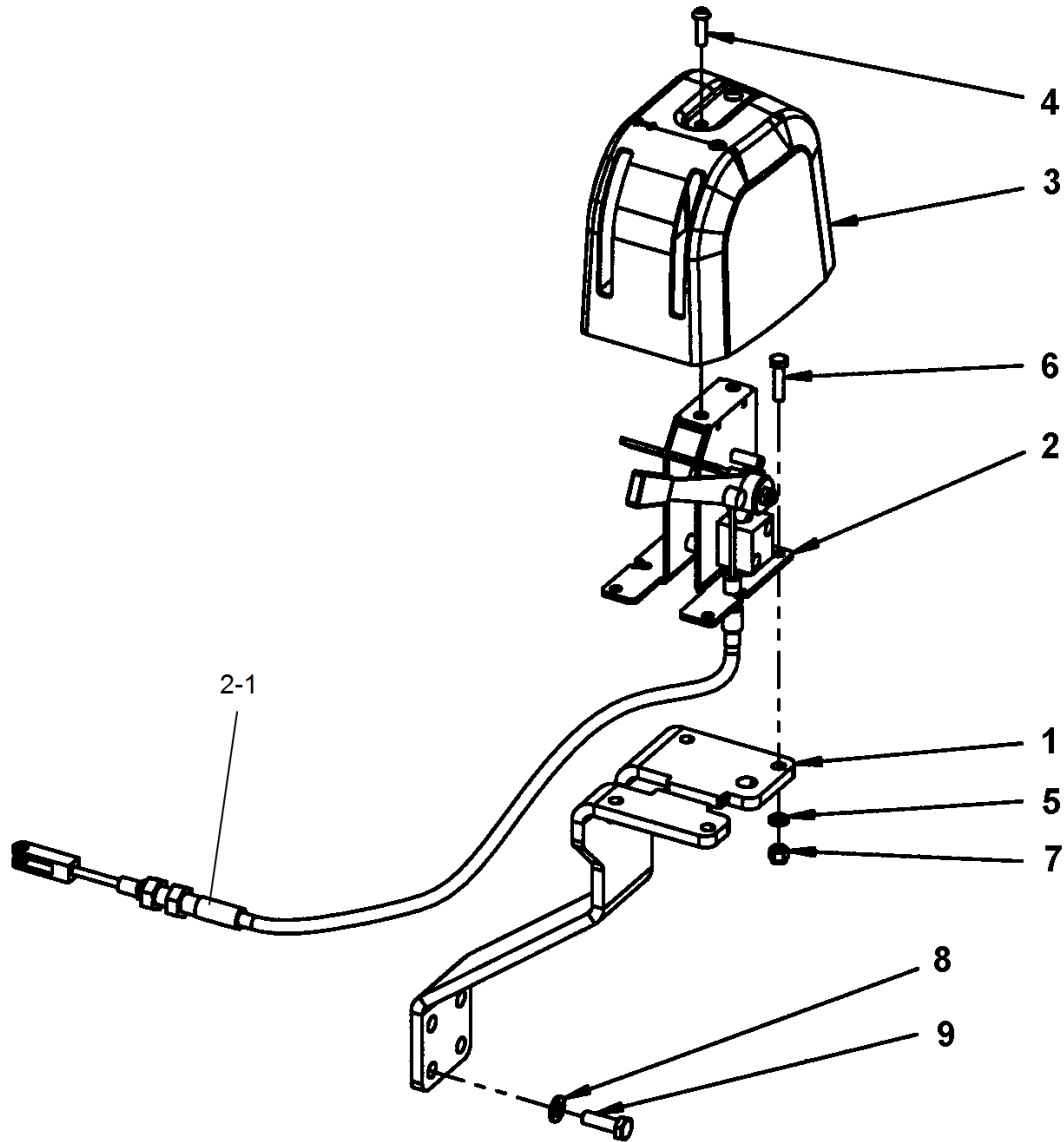


Refer to Parts Online for the most up to date information. The printed information might be outdated.

Wed Nov 14 15:03:38 UTC 2018

Item	Part No.	Name	Qty	L	SN INFO
1	4812111294	Adapter	1		
2	4812110885	Splined shaft	1		
3	4700904229	Washer, 8.4x 6x1.5 mm 300HV	10		
4	4700508027	Screw	10		
5	4700904228	Washer 6,4x12x1,5	3		
6	4812114172	Bracket	1		
7	4700586002	Lock nut M6 -8	3		
8	4700904557	Washer, 10.5x22x4 mm 300 HV	4		
9	4700500028	Hex Head screw	4		
10	4700350009	Flat key	1		
11	4812113478	Washer	4		
12	4700500029	Steel plain washer	4		

Drivers seat Control module

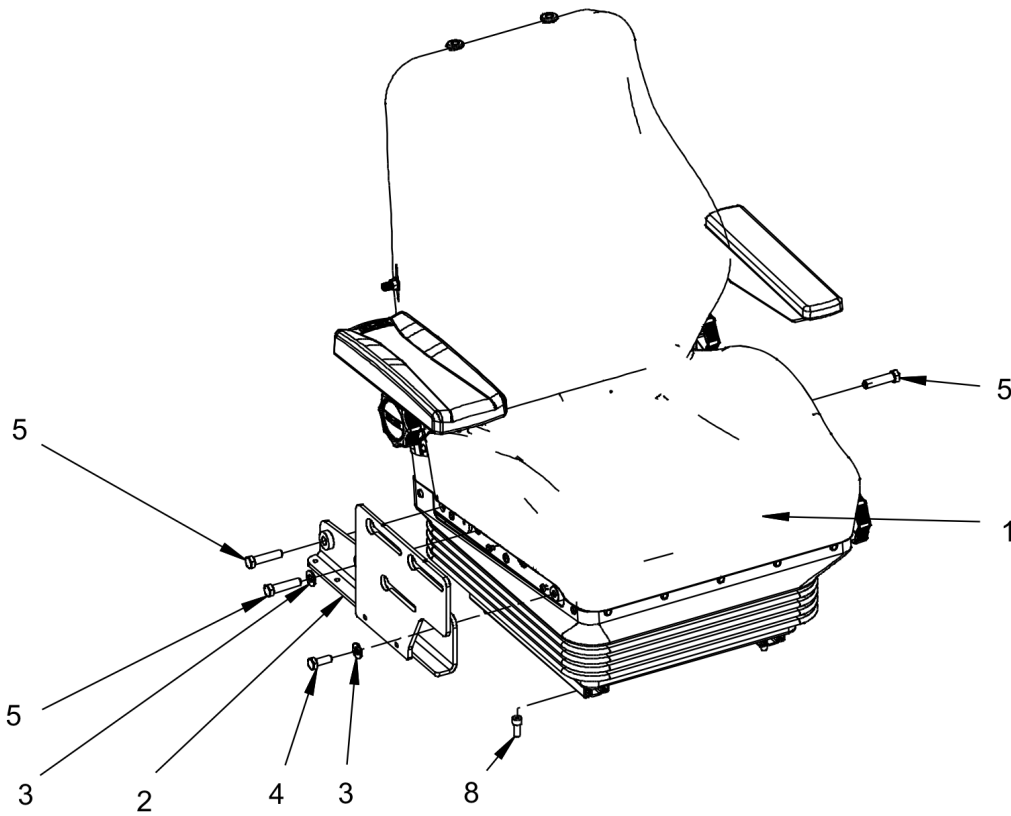


Refer to Parts Online for the most up to date information. The printed information might be outdated.

Wed Nov 14 15:03:38 UTC 2018

Item	Part No.	Name	Qty	L	SN INFO
1	4812118312	Bracket	1		
2	4812111216	Control, cpl	1		
2-1	4812121331	Cable	1		
3	4700392965	Control cover	1		
4	4700791524	Screw, M6 x 20 mm A2-70	2		
5	4700904228	Washer 6,4x12x1,5	4		
6	4700500075	Screw, M6-1,0x25 mm 8.8	4		
7	4700586002	Lock nut M6 -8	4		
8	4700904229	Washer, 8.4x 6x1.5 mm 300HV	4		
9	4700500021	Screw, M8x25 mm 8.8 A2K	4		

Drivers seat Seat comfort, fabric suspended



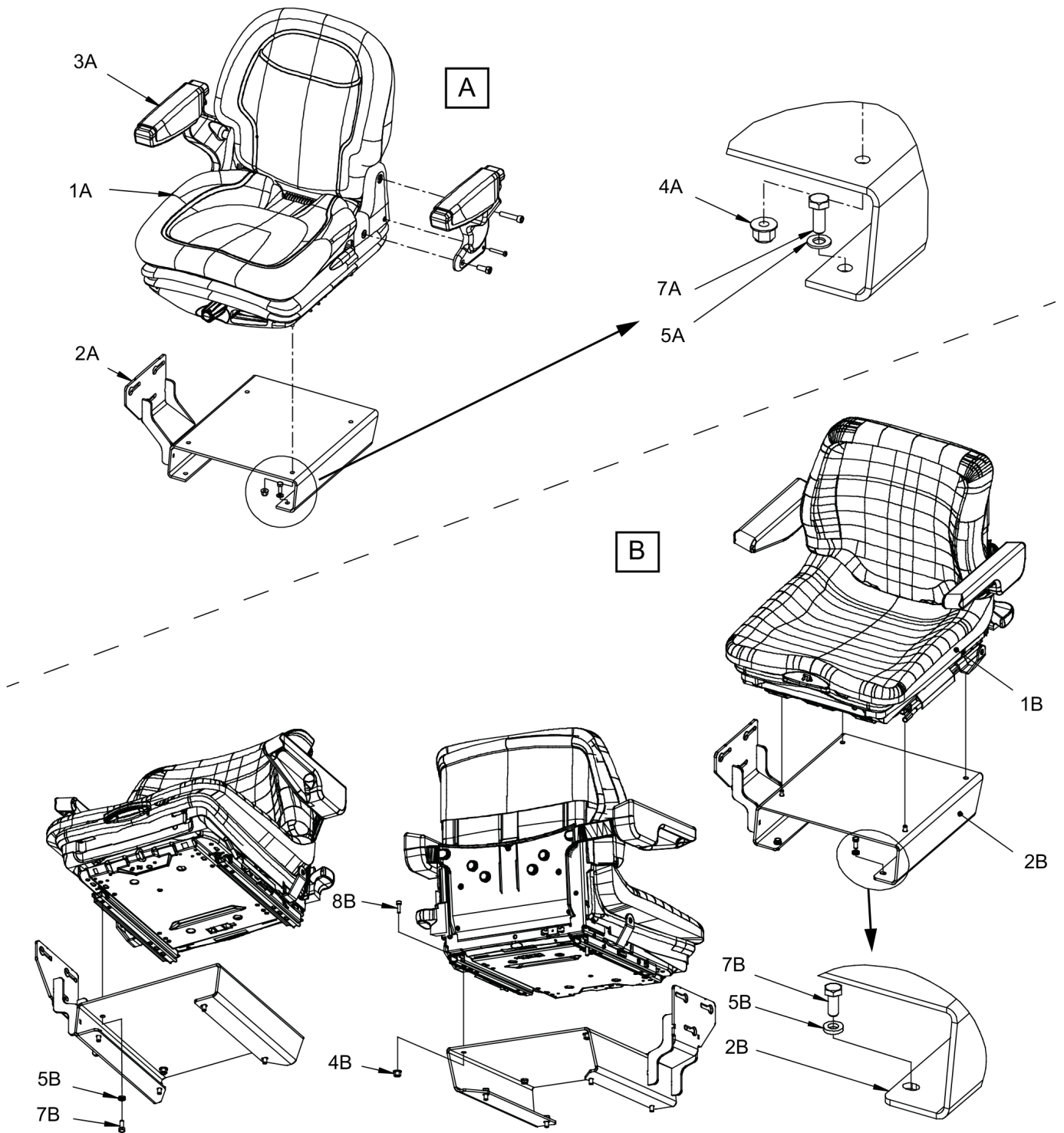
Item	Part No.	Name	Qty	L	SN INFO
1	4812116357	Seat, fabric suspended	1	A	
1	4700937892	Seat switch	1		
1	4700937620	Arm rest, right	1		
1	4812158367	Arm rest wide, right	1		
1	4700937621	Arm rest, left	1		
2	4812119295	Control bracket	1		
3	4700904230	Steel plain washer	2		
4	4700500028	Hex Head screw	1		
5	4700792527	Screw	3		
8	4700508092	Screw	4		

Comments for Page: Seat comfort, fabric suspended

(L)OCAL REMARKS

A | en_US | Without seat belt.

Drivers seat Seat, galon suspended



Refer to Parts Online for the most up to date information. The printed information might be outdated.

Wed Nov 14 15:03:39 UTC 2018

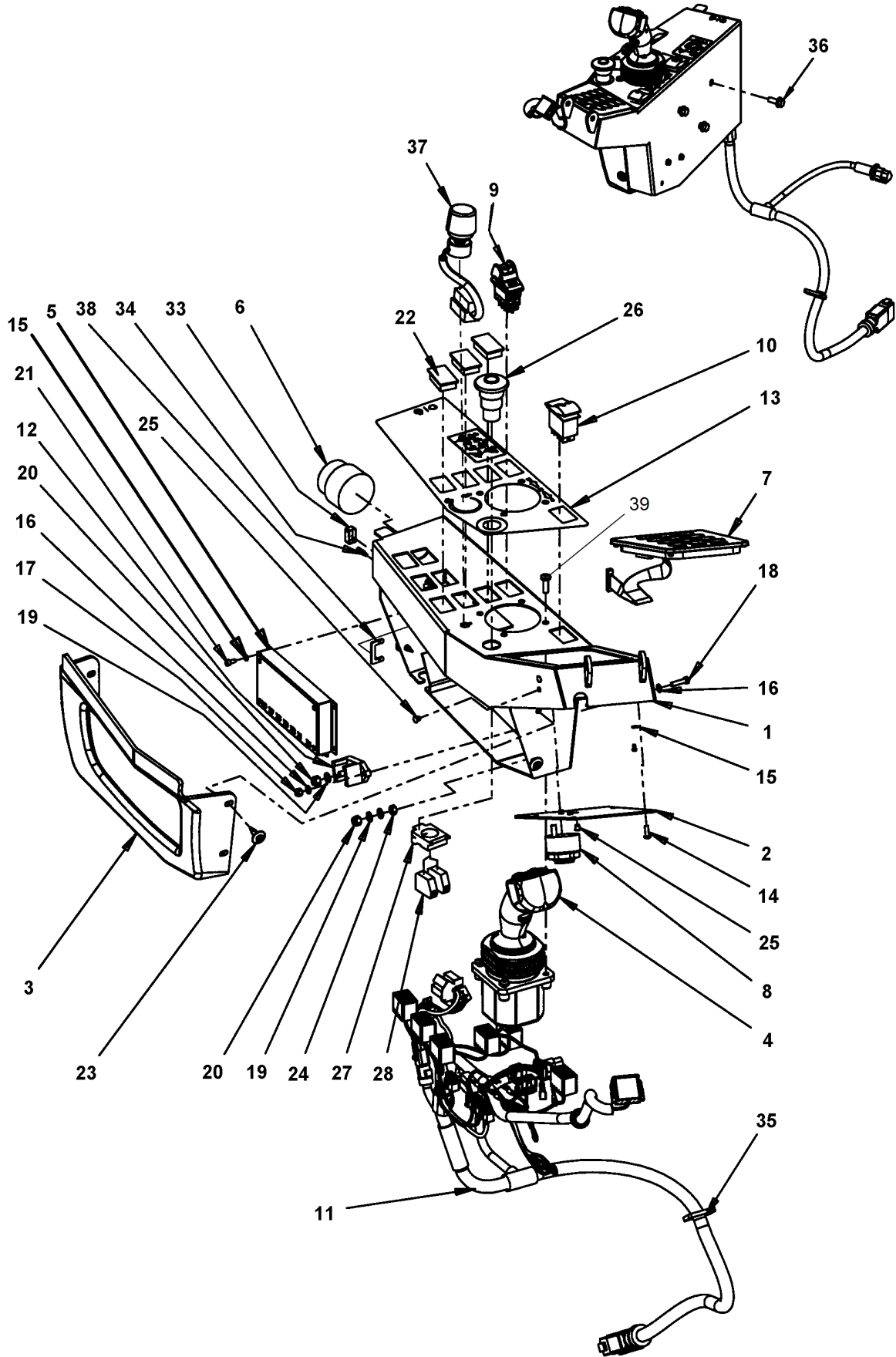
Item	Part No.	Name	Qty	L	SN INFO
1A	4700377518	Seat, galon suspended	1		
-	4700945622	Seat switch	1		
-	4700945660	Seat cushion	1		
-	4700945661	Adjuster kit, slide	1	A	
2A	4700390561	Seat frame	1		
3A	4700390963	Arm rest kit	1		
4A	4700902286	Lock nut, M8x1.25 mm A2K	4		
5A	4700904229	Washer, 8.4x 6x1.5 mm 300HV	4		
7A	4700500053	Screw, M8x20 mm 8.8 A2K	4		
1B	4700370234	Seat, galon suspended	1		
-	4700909535	Sliding rail with handle	1		
-	4700909536	Sliding rail	1		
-	4700936283	Seat switch	1		
-	4700372696	Arm rest, left	1		
-	4700372697	Arm rest, right	1		
2B	4812126698	Seat frame	1		
4B	4700902286	Lock nut, M8x1.25 mm A2K	2		
5B	4700904556	Steel plain washer 8,4x16x3,0	6		
7B	4700500053	Screw, M8x20 mm 8.8 A2K	6		
8B	4700508025	Screw, M6x20 mm 8.8 A2K	2		

Comments for Page: Seat, galon suspended

(L)OCAL REMARKS

A | en_US | Left & right sliding rail

Drivers seat Forward reverse control module



Refer to Parts Online for the most up to date information. The printed information might be outdated.

Wed Nov 14 15:03:40 UTC 2018

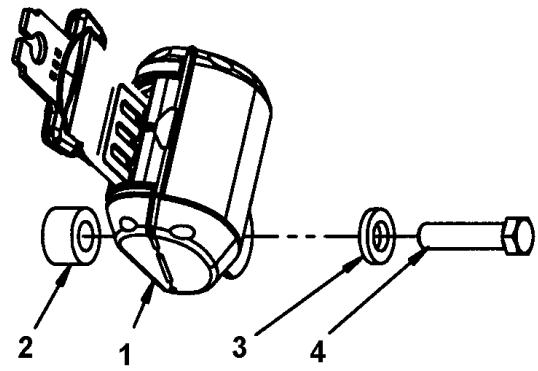
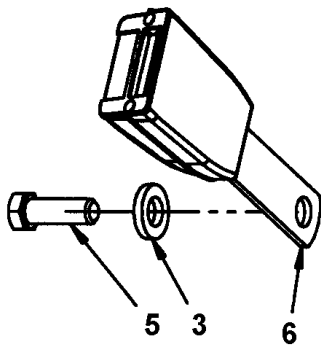
Item	Part No.	Name	Qty	L	SN INFO
1	4812110886	Control box	1		
2	4700391396	Cover	1		
3	4700396662	Cover	1		
4	4700391420	Control handle, 4 switches	1		To A019243, excl. 18998, 19157, 19159, 19241
4	4812126248	Control handle, 4 switches	1		From A019244, incl. 18998, 19157, 19159, 19241
5	4812113875	Control unit, I/O	1		
6	4812110901	Ignition switch	1		
6	4700940451	Ignition key	1		
7	4812114803	Membrane switch panel	1		
8	4700385599	Buzzer	1		
9	4812118697	Switch, parking brake	1		
10	4700792414	Switch, RPM	1		
10	4812117490	Switch, green ECO	1		
11	4812118754	Cable harness	1		
12	4700392930	Junction box	1		
13	4812111780	Decal	1		
14	4812119227	Thread rolling screw	4		
15	4700904698	Plain washer	8		
16	4700904281	Washer, 5,3x10x1 300HV	4		
17	4700586001	Lock nut	2		
18	4700500060	Screw M5-0,8x20 8.8	2		
19	4700904228	Washer 6,4x12x1,5	3		
20	4700586002	Lock nut M6 -8	2		
21	4700508017	Cylinder screw	4		
22	4700791588	Panel plug	3		
23	4700395785	Expansion rivet	4		
24	4700570004	Hexagon nut M6	1		
25	4700902804	Plug	5		
26	4700791739	Emergency stop	1		
27	4700791733	Fixing collar	1		
28	4700791723	Connector	2		
33	4812114214	Cover	1		
34	4812114213	Lock screw	2		
35	4700313041	Cable ties	N		
36	4700500505	Screw, M8x20 mm 8.8 A2K	3		
37	4700388737	Potentiometer	1		
37	4700939826	Knob	1		

Refer to Parts Online for the most up to date information. The printed information might be outdated.

Wed Nov 14 15:03:40 UTC 2018

Item	Part No.	Name	Qty	L	SN INFO
38	4812119317	Holder	1		
39	4700904650	Button head socket screw, M6x12	4		

Seat belts Seat belt 2"



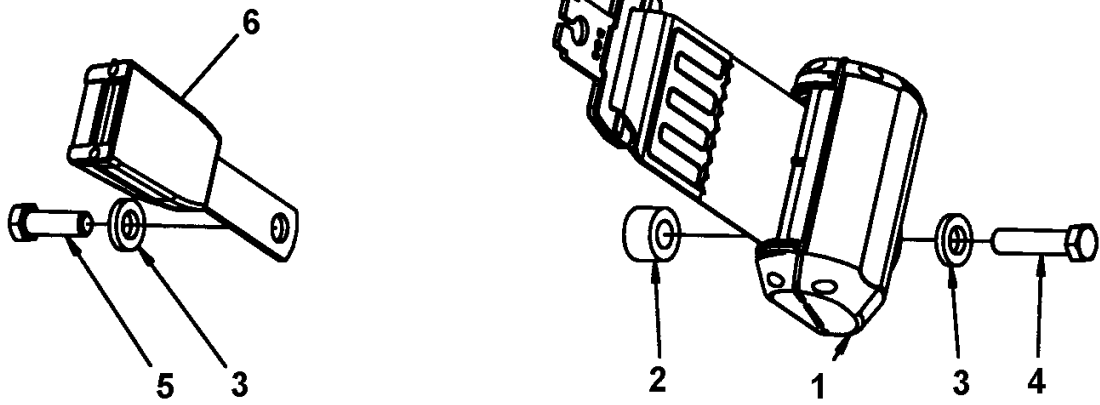
Item	Part No.	Name	Qty	L	SN INFO
1	4812117922	Seat belt 2"	1		
2	4700791572	Spacer washer	1		
3	4700904703	Plain washer 13x24x4 mm	4		
4	4700792527	Screw	1	A	
5	4700928347	Hexagon screw	2	A	
6	4812117924	Buckle	1		

Comments for Page: Seat belt 2"

(L)OCAL REMARKS

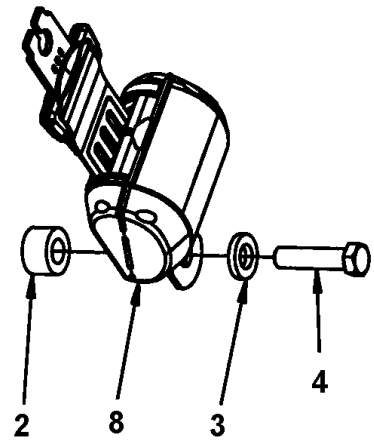
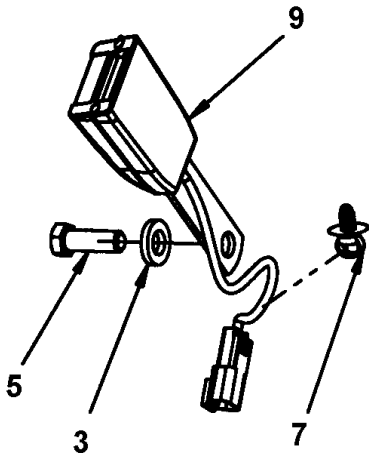
A | en_US | Used with seat 4700377518.

Seat belts Seat belt 3"



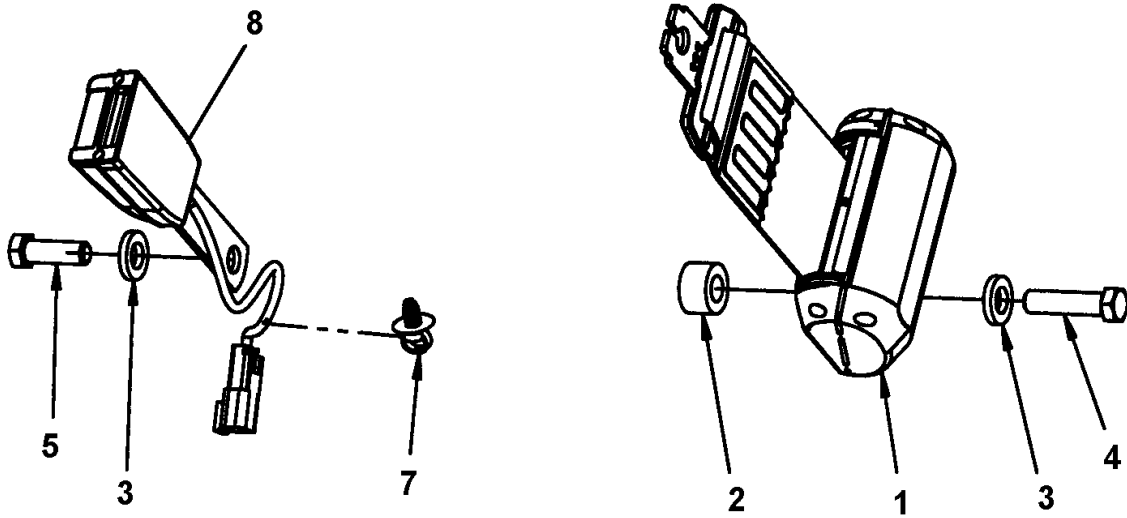
Item	Part No.	Name	Qty	L	SN INFO
1	4812118816	Seat belt 3"	1		
2	4700791572	Spacer washer	1		
3	4700904703	Plain washer 13x24x4 mm	4		
4	4700792527	Screw	1		
5	4700928347	Hexagon screw	2		
6	4812117924	Buckle	1		

Seat belts Seat belt 2" with reminder

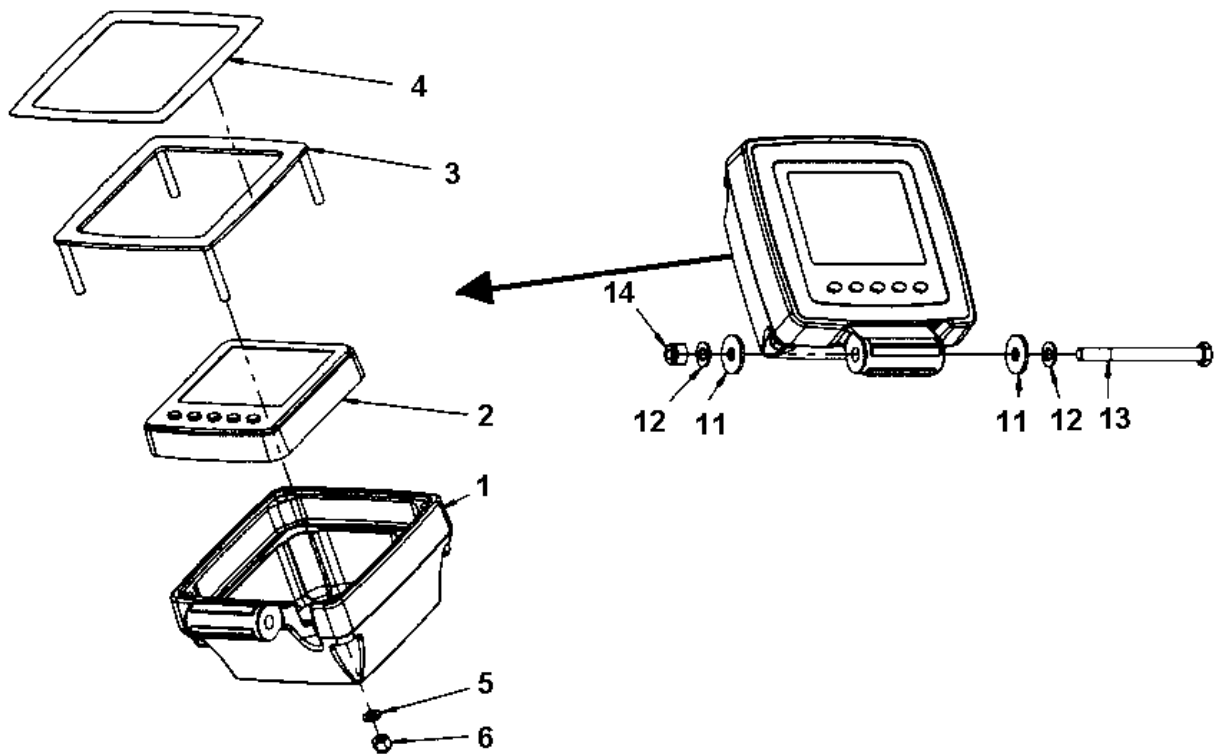


Item	Part No.	Name	Qty	L	SN INFO
2	4700791572	Spacer washer	1		
3	4700904703	Plain washer 13x24x4 mm	4		
4	4700792527	Screw	1		
5	4700928347	Hexagon screw	2		
7	4700792441	Cable tie with holder	1		
8	4812117922	Seat belt 2"	1		
9	4812117925	Buckle with reminder	1		

Seat belts Seat belt 3" with reminder

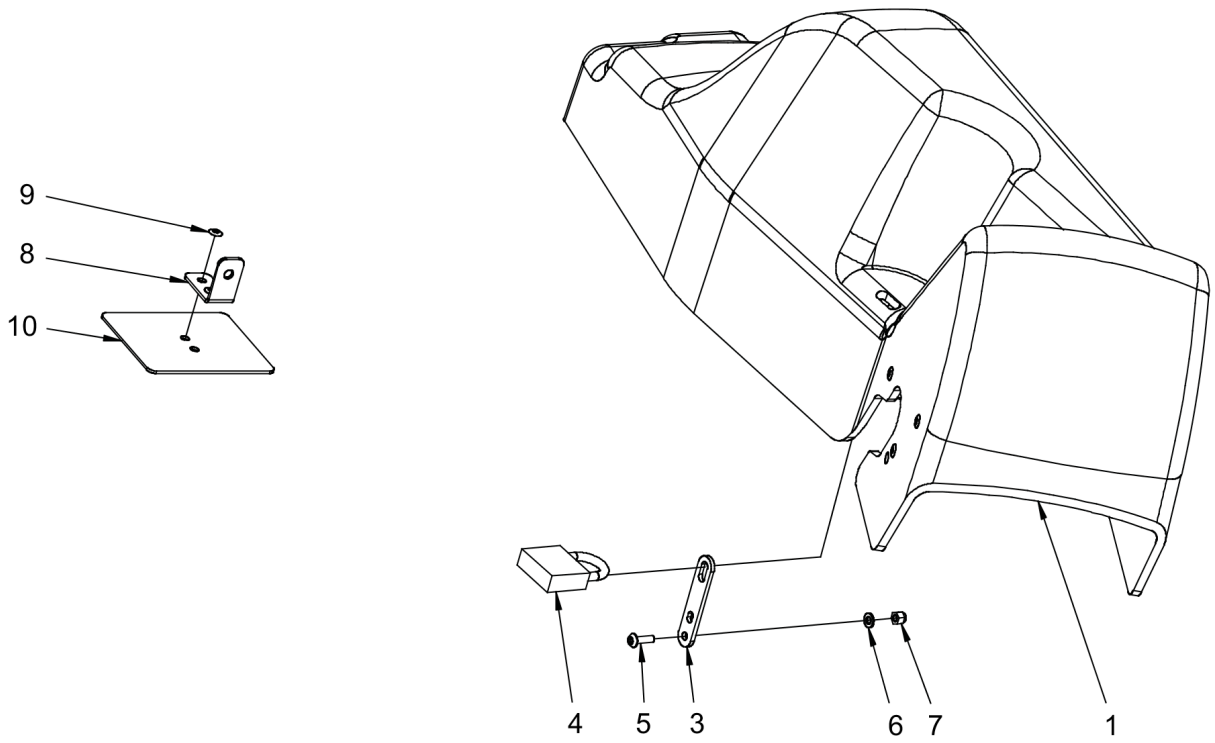


Item	Part No.	Name	Qty	L	SN INFO
1	4812118816	Seat belt 3"	1		
2	4700791572	Spacer washer	1		
3	4700904703	Plain washer 13x24x4 mm	4		
4	4700792527	Screw	1		
5	4700928347	Hexagon screw	2		
7	4700792441	Cable tie with holder	1		
8	4812117925	Buckle with reminder	1		

Drivers seat Display unit

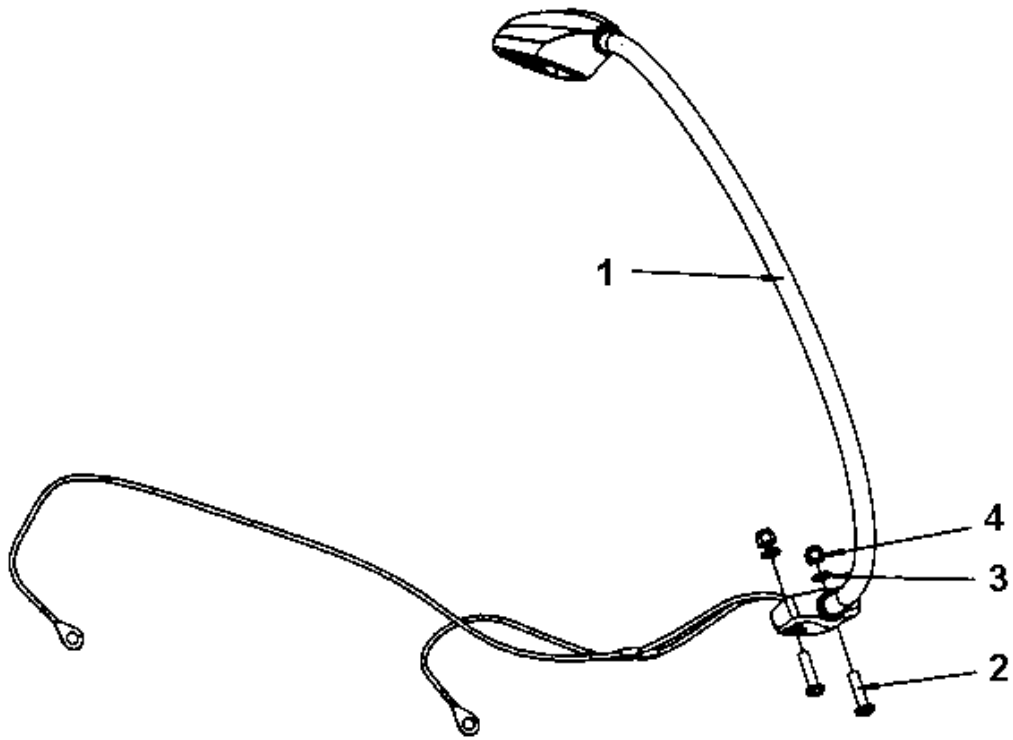
Item	Part No.	Name	Qty	L	SN INFO
1	4700392717	Display holder	1		
2	4812113786	Display unit	1		
3	4700392719	Cover	1		
4	4700393094	Decal	1		
5	4700904228	Washer 6,4x12x1,5	4		
6	4700586002	Lock nut M6 -8	4		
11	4700903662	Washer	2		
12	4700606004	Plastic washer	2		
13	4700500115	Screw	1		
14	4700586003	Lock nut M8	1		

Drivers seat Control panel cover



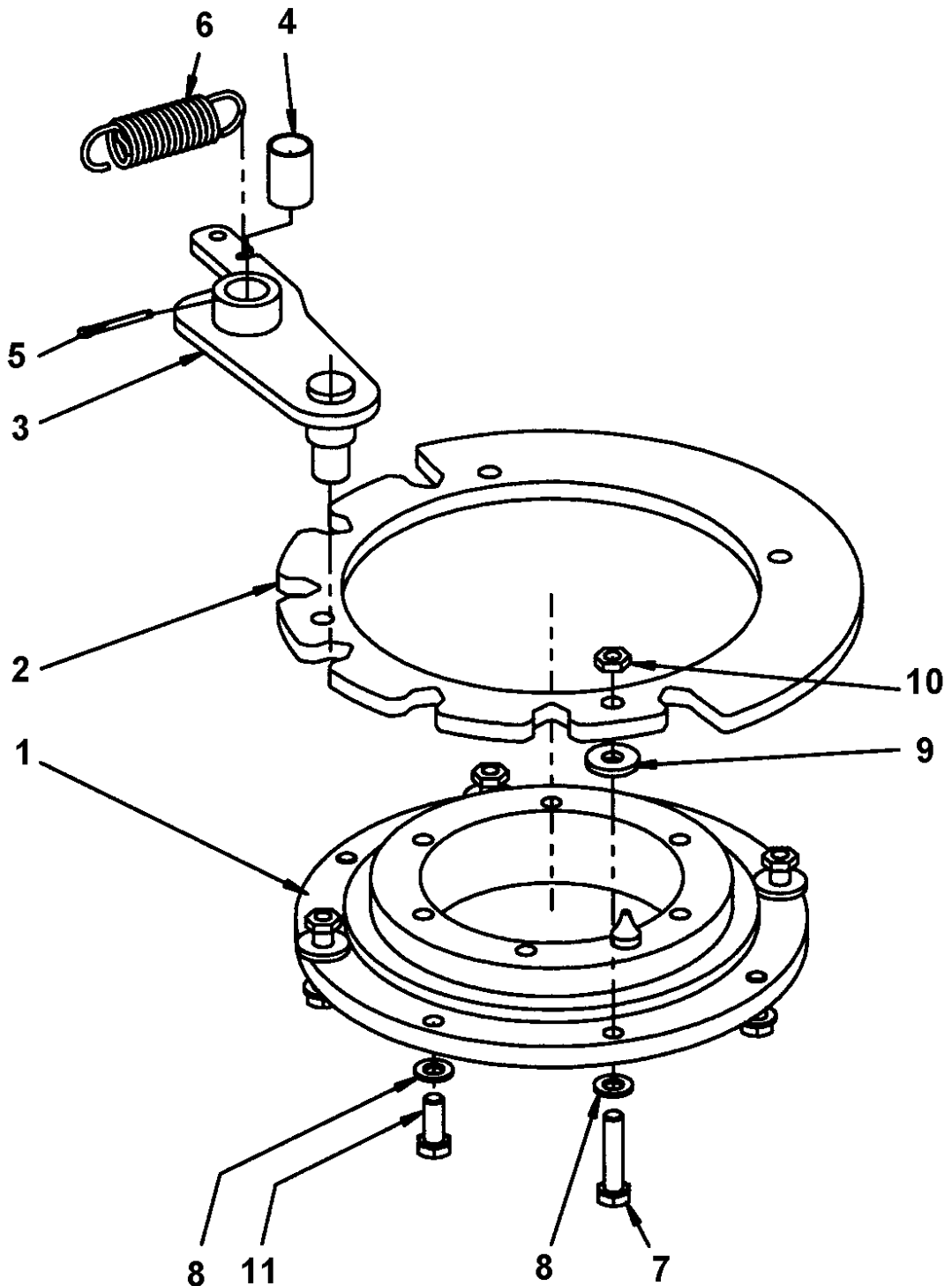
Item	Part No.	Name	Qty	L	SN INFO
1	4812126260	Instrument panel cover	1		
3	4700387545	Latch	1		
4	4700358881	Pad lock	1		
5	4700904653	Screw M5x16 A2-70	2		
6	4700904281	Washer, 5,3x10x1 300HV	4		
7	4700586001	Lock nut	2		
8	4700396670	Bracket	1		
9	4700904619	Blind rivet	2		
10	4812126261	Support plate	1		

Drivers seat Reading light



Item	Part No.	Name	Qty	L	SN INFO
1	4700397604	Reading lamp	1		
2	4700791421	Machine screw	2		
3	4700904281	Washer, 5,3x10x1 300HV	2		
4	4700586001	Lock nut	2		

Drivers seat Seat frame adapter module, rotating

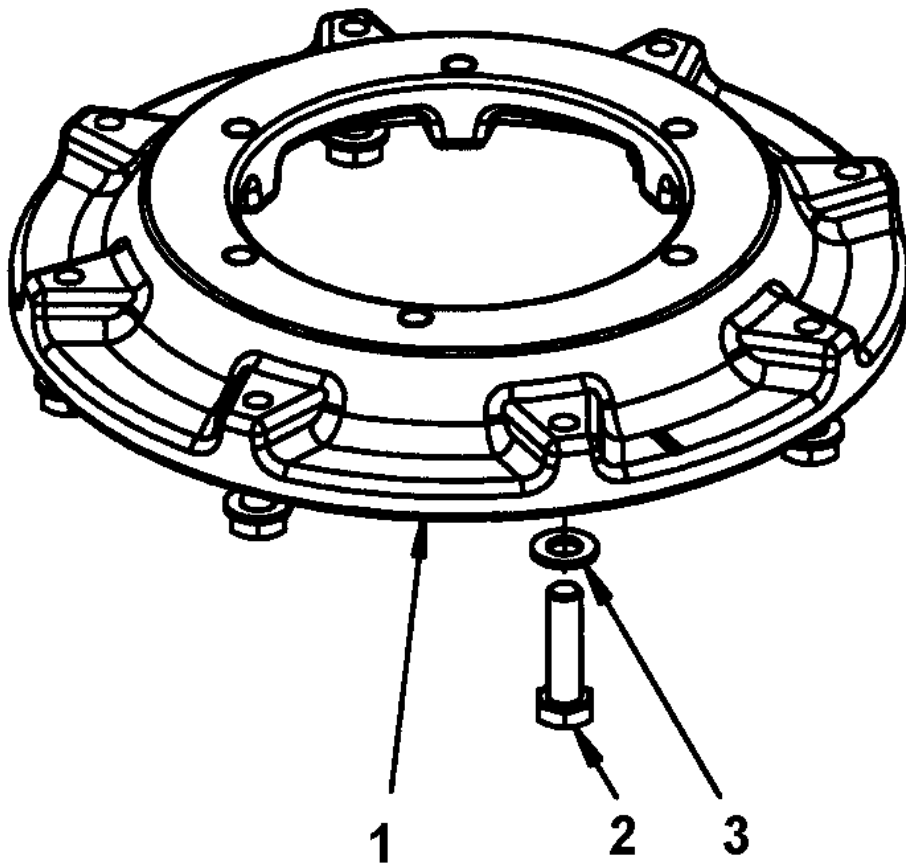


Refer to Parts Online for the most up to date information. The printed information might be outdated.

Wed Nov 14 15:03:41 UTC 2018

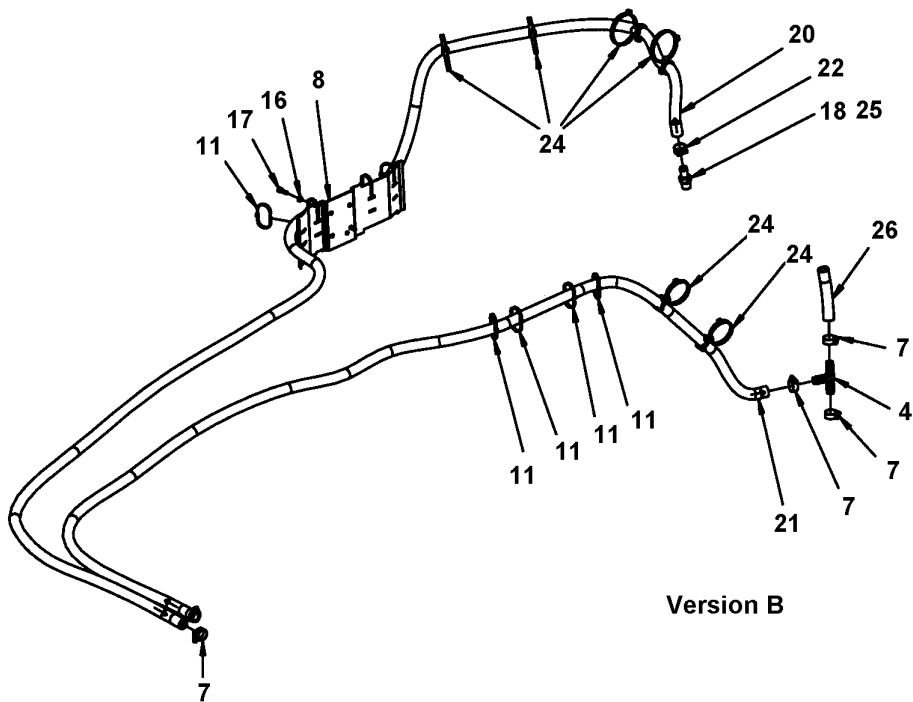
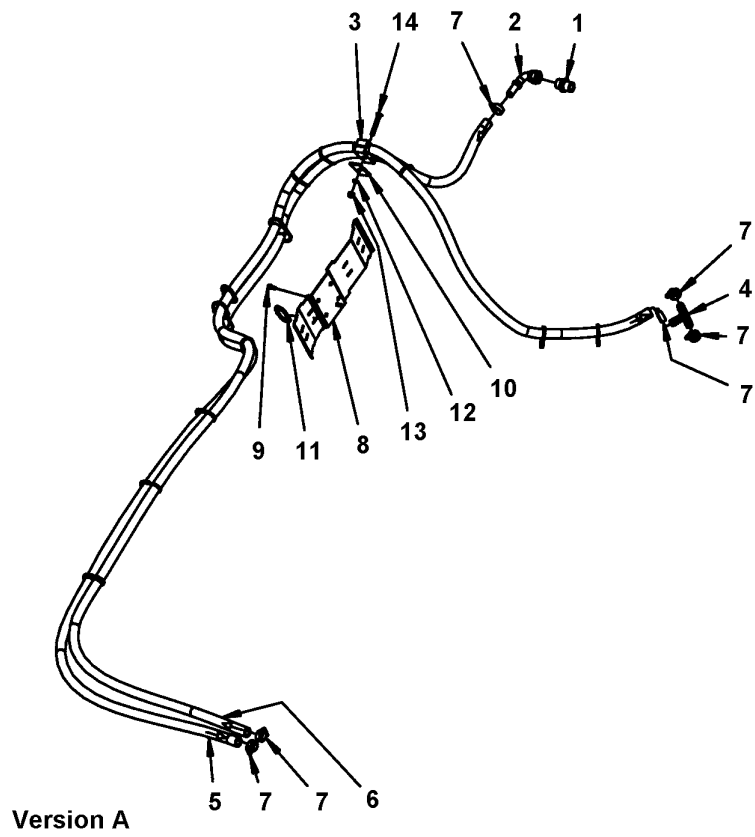
Item	Part No.	Name	Qty	L	SN INFO
1	4700359125	Ball bearing	1		
2	4700379728	Locking disc	1		
3	4812119788	Coupling link	1		
4	4700359819	Bushing	1		
5	4700630008	Pin	1		
6	4700359043	Spring	1		
7	4700792678	Screw	4		
8	4700904229	Washer, 8.4x 6x1.5 mm 300HV	8		
9	4700904640	Washer, 8.4x22x3 mm 300HV	4		
10	4700573008	Nut M8	4		
11	4700947679	Hexagon head screw	4		

Drivers seat Seat frame adapter module, fixed



Item	Part No.	Name	Qty	L	SN INFO
1	4812110891	Spacer	1		
2	4700500022	Screw	8		
3	4700904229	Washer, 8.4x 6x1.5 mm 300HV	8		

Drivers platform Heater hoses



Refer to Parts Online for the most up to date information. The printed information might be outdated.

Wed Nov 14 15:03:41 UTC 2018

Item	Part No.	Name	Qty	L	SN INFO
1	4811000531	Straight connector orfs	1		
2	4812115019	Hose connection	1		
3	4700287295	Clamp	1		
4	4700792065	Hose connection	1		
5	4700205112	Coolant hose	1XL	A	
6	4700205112	Coolant hose	1XL	B	
7	4700313004	Hose clamp 19-29mm	6		
7	4700313003	Hose clamp	6		
8	4812114212	Bracket	1		
9	4700508002	Cylinder screw	2		
10	4700287294	Cover plate	1		
11	4700313041	Cable ties	N		
12	4700904229	Washer, 8.4x 6x1.5 mm 300HV	1		
13	4700586003	Lock nut M8	1		
14	4700903732	Screw	1		
16	4700603010	Washer 6,4x12x3	2		
17	4700508025	Screw, M6x20 mm 8.8 A2K	2		
18	4700387638	Hose connection	1		
20	4700205112	Coolant hose	1XL	C	
21	4700205112	Coolant hose	1XL	D	
24	4812117248	Cable tie with holder	6		
25	4700901141	Loctite	N		
26	-	Hose	1	E	

Comments for Page: Heater hoses

(L)OCAL REMARKS

A | en_US | L = 3.33m

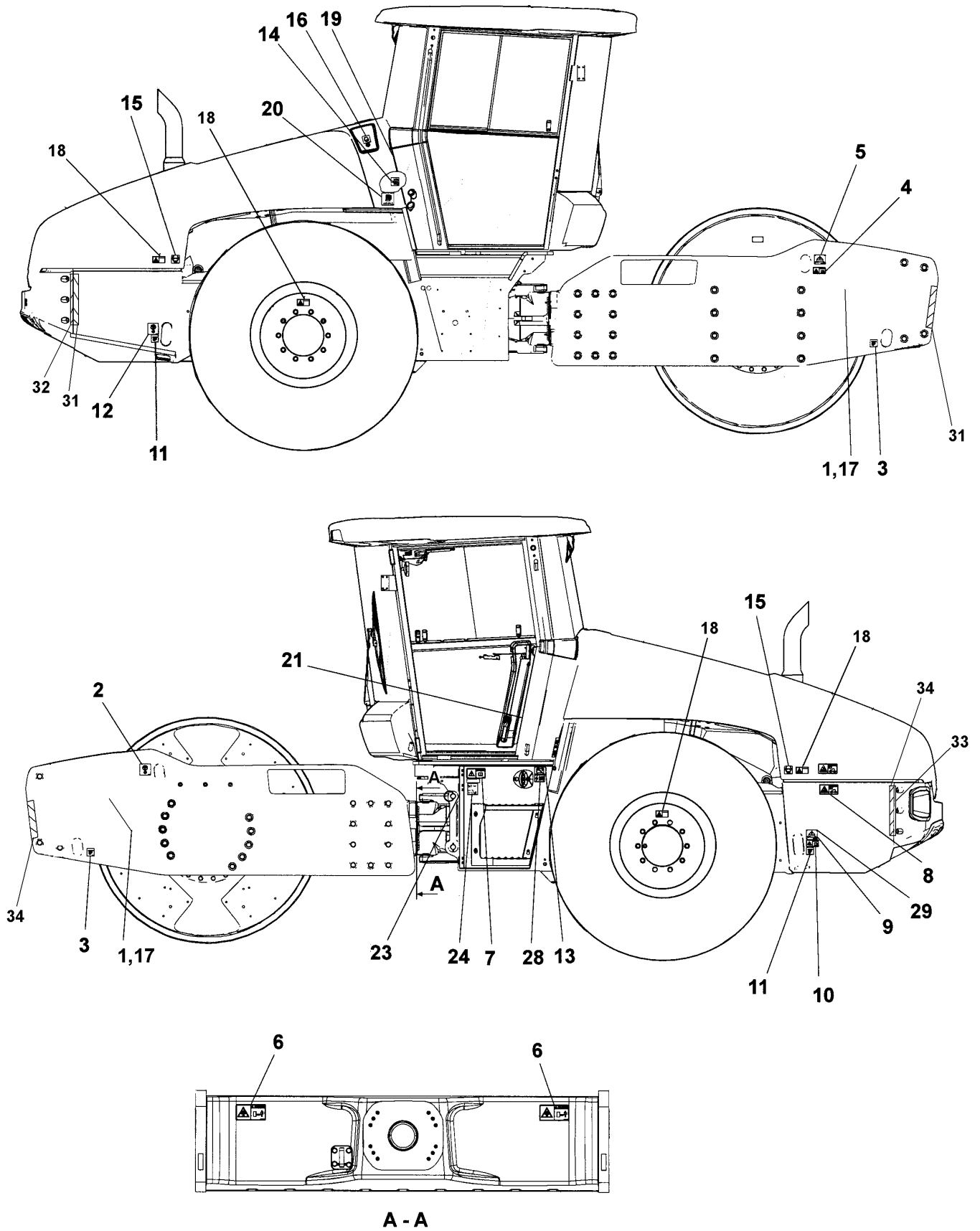
B | en_US | L = 3.96m

C | en_US | L = 3.7m

D | en_US | L = 2.8m

E | en_US | Existing hose from engine installation.

Decals Decals



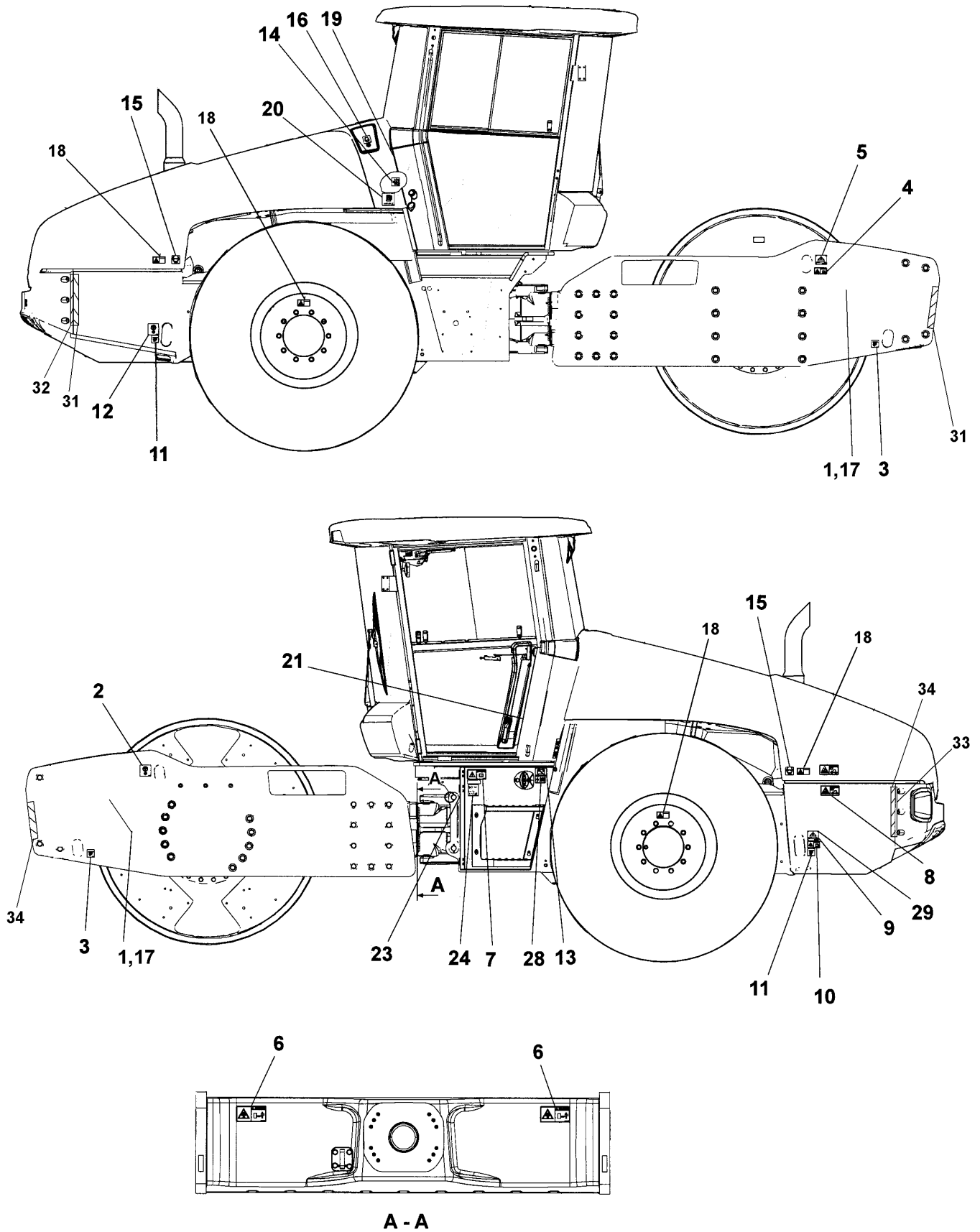
Refer to Parts Online for the most up to date information. The printed information might be outdated.

Wed Nov 14 15:03:42 UTC 2018

Item	Part No.	Name	Qty	L	SN INFO
1		Decal "COMPACTING ROCKS" Right	1		
<p>Comments for Part Num. 4812120100</p> <p>No longer available, update the machine on both sides with new model codes in Black. For part number see Parts list.</p> <p>If yellow colour is needed, available spray has p/n 4812007591</p> <p>Kits with plain Dynapac decals are also available, see separate page in Parts book.</p>					
1		Decal "COMPACTING ROCKS" Left	1		
<p>Comments for Part Num. 4812120101</p> <p>No longer available, update the machine on both sides with new model codes in Black. For part number see Parts list.</p> <p>If yellow colour is needed, available spray has p/n 4812007591</p> <p>Kits with plain Dynapac decals are also available, see separate page in Parts book.</p>					
2	4700588176	Decal "LIFT POINT"	1		
3	4700382751	Decal "SECURING POINT/TIE DOWN"	2		
4	4700908229	Safety decal	1		
5	4700904870	Lifting data plate	1		
5	4700624005	Blind rivet 3,2x6,1	4		
6	4700903422	Safety decal "CRUSH AREA"	2		
7	4700903459	Decal "SAFETY"	1		
8	4700904895	Safety decal "Brake release"	1		
9	4700904870	Lifting data plate	1		
10	4700908229	Safety decal	1		
11	4700382751	Decal "SECURING POINT/TIE DOWN"	2		
12	4700588176	Decal "LIFT POINT"	1		
13	4700904835	Decal "BATTERY POWER"	1		
14	4700272373	Decal, hydraulic oil level	1		
15	4700390900	Decal "TYRE PRESSURE" 110kPa/16psi	2	A, B	
15	4700355983	Decal "TYRE PRESSURE" 200kPa/29psi	2	C	
16	4700388449	Decal "ENGINE COOLANT FILL"	1		
17	4812120441	Decal "MODEL CODE" CA4000, Black	2		
17	4812120115	Decal "MODEL CODE" CA3500, Black	2		
17	4812120437	Decal "MODEL CODE" CA2500, Black	2		
17	4812120439	Decal "MODEL CODE" CA2800, Black	2		
18	4700903985	Decal "SAFETY"	4		
19	4700272372	Decal "HYDRAULIC OIL"	1		

Refer to Parts Online for the most up to date information. The printed information might be outdated.

Wed Nov 14 15:03:42 UTC 2018



Refer to Parts Online for the most up to date information. The printed information might be outdated.

Wed Nov 14 15:03:43 UTC 2018

Item	Part No.	Name	Qty	L	SN INFO
19	4700792772	Decal "BIO HYDRAULIC OIL" PANOLIN	1		
20	4700991658	Decal "FUEL"	1		
21	4700903425	Safety decal "READ SAFETY INSTRUCTIONS"	1		
23	-	Product identification plate	1		
24	4700791273	Decal "Sound power level" 103 dB	1		
28	4700393959	Decal "Battery voltage 24V"	1		
29	4700624005	Blind rivet 3,2x6,1	4		
31	4700904390	Decal "Risk location"	2		
32	4700904389	Decal "Risk location"	1		
33	4700904391	Decal "Risk location"	1		
34	4700904388	Decal "Risk location"	2		

Comments for Page: Decals

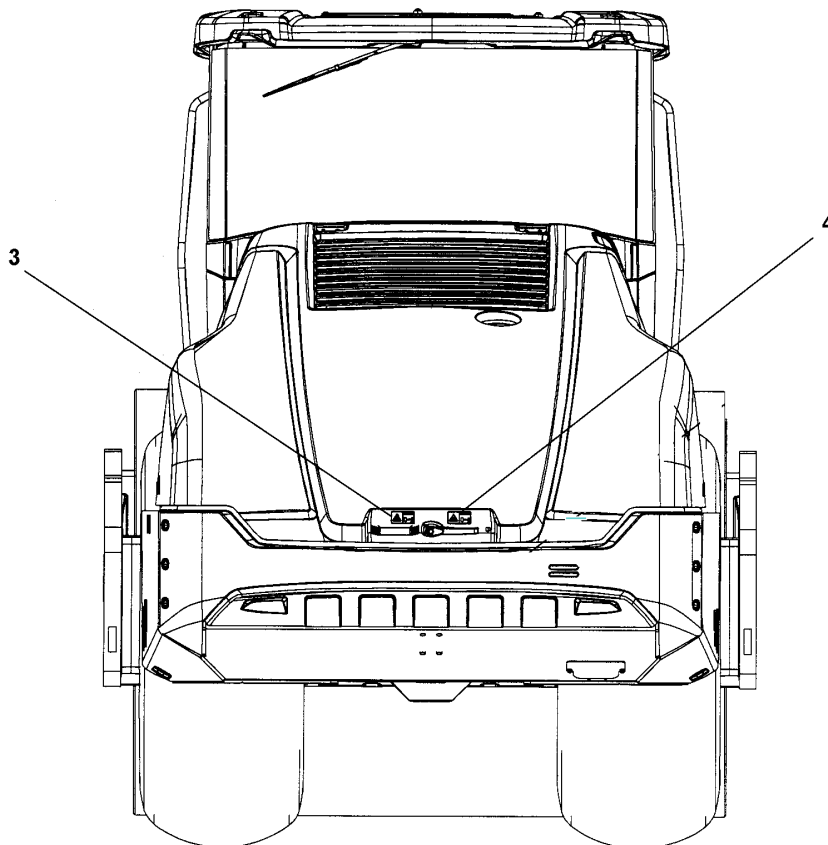
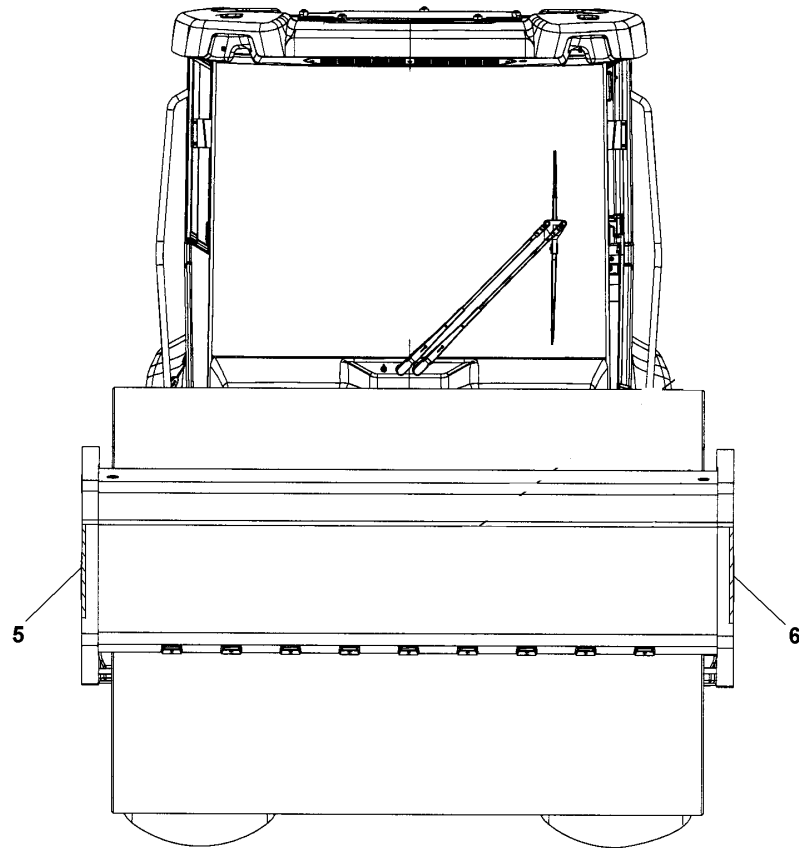
(L)OCAL REMARKS

A | en_US | All weather wheel.

B | en_US | Tractor wheel.

C | en_US | Premium wheel.

Decals Decals

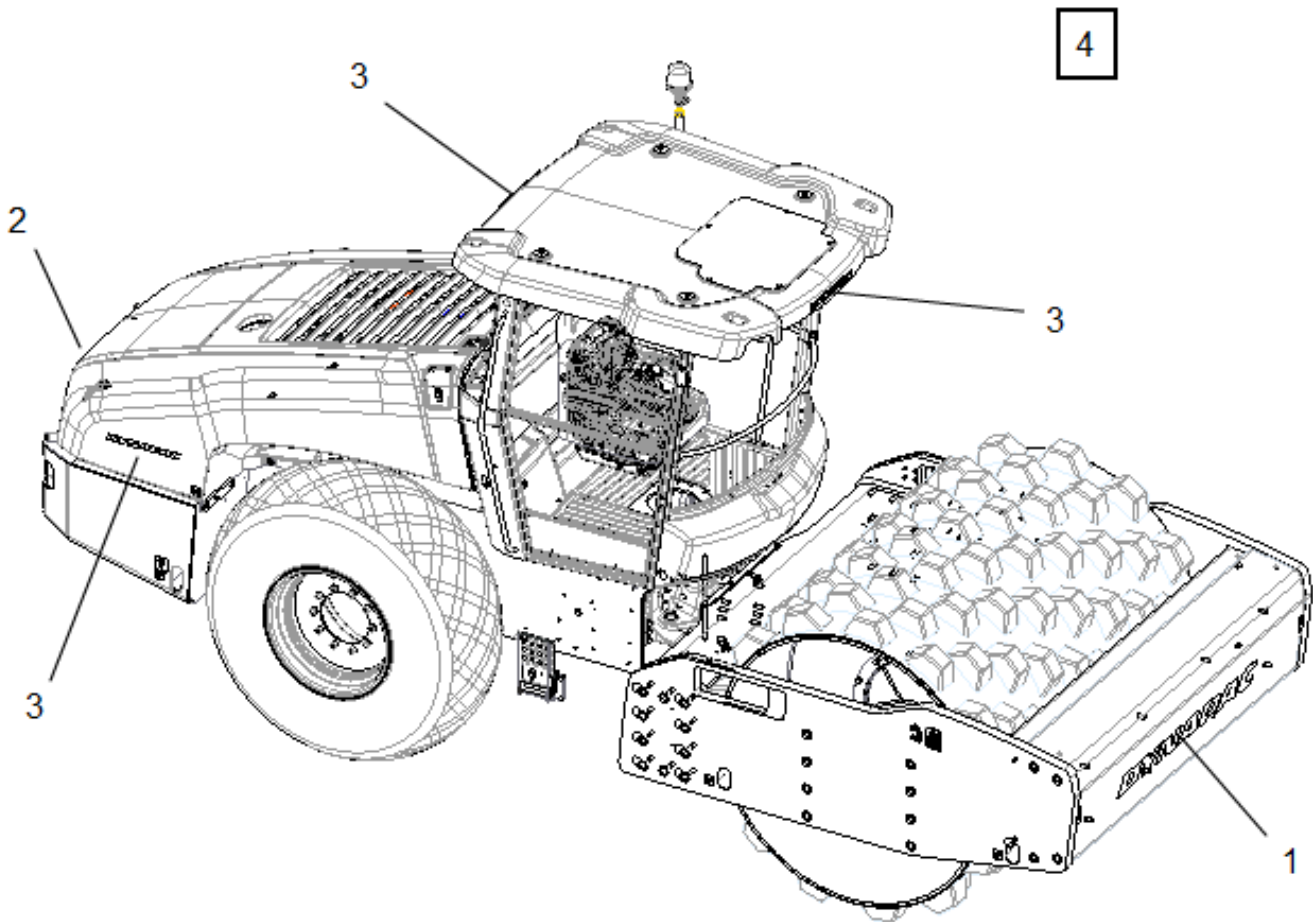


Refer to Parts Online for the most up to date information. The printed information might be outdated.

Wed Nov 14 15:03:43 UTC 2018

Item	Part No.	Name	Qty	L	SN INFO
3	4700903423	Safety label, Rotating engine components	1		
4	4700903424	Safety label, hot surfaces	1		
5	4700904389	Decal "Risk location"	1		
6	4700904391	Decal "Risk location"	1		

Decals Plain Dynapac decals, kit

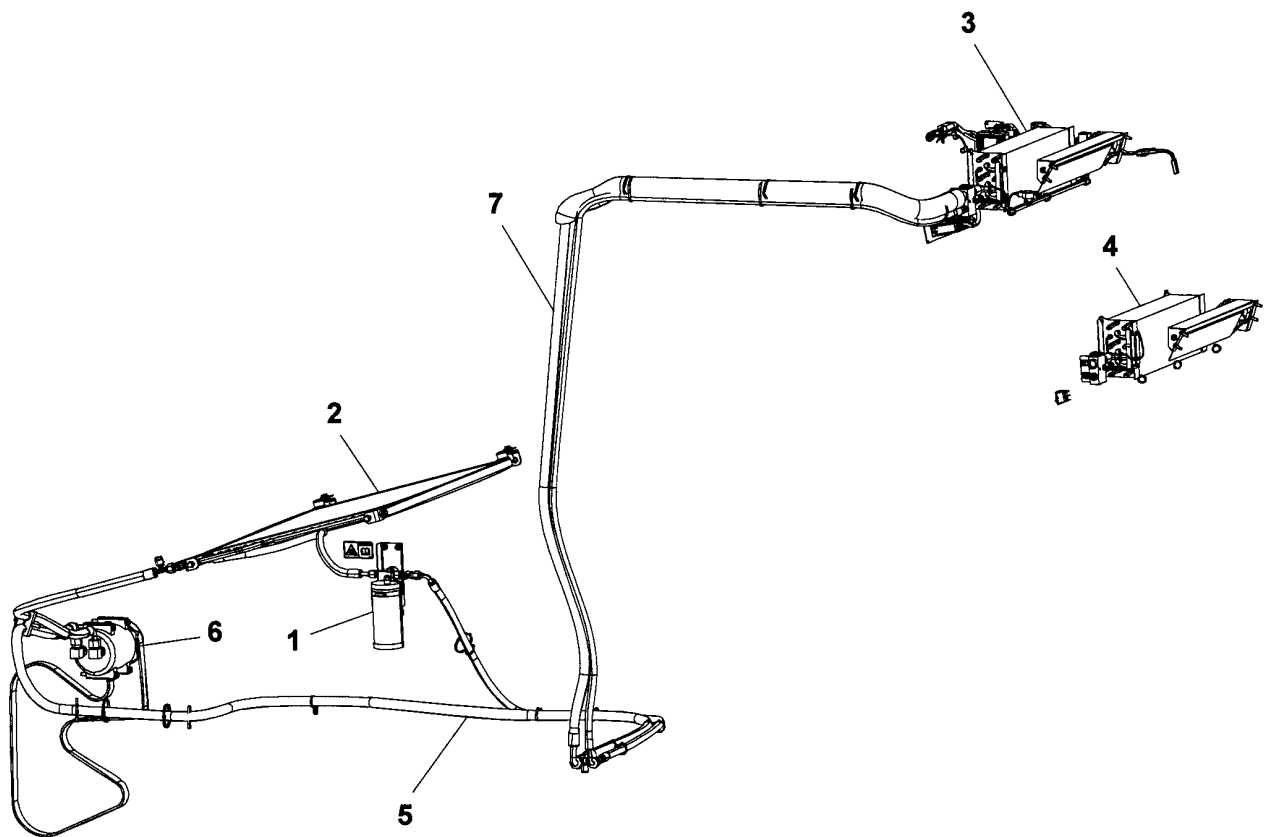


Refer to Parts Online for the most up to date information. The printed information might be outdated.

Wed Nov 14 15:03:43 UTC 2018

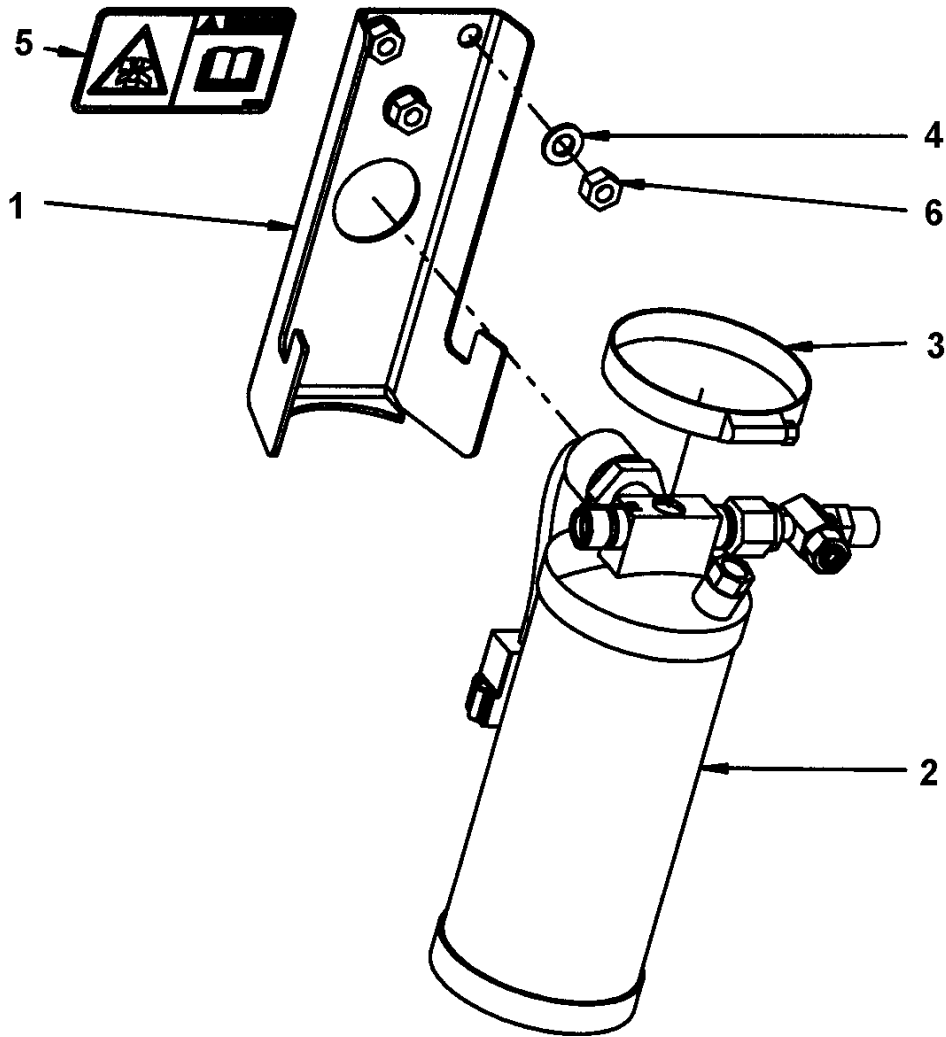
Item	Part No.	Name	Qty	L	SN INFO
0	4812127932	Plain Dynapac decals, kit			
1	4812127909	Decal "DYNAPAC", black 1350	1		
2	4700904096	Decal "DYNAPAC", white 420	1		
3	4812127820	Decal "DYNAPAC", black 420	4		
4	4812128222	Drawing for instruction			

Air conditioning Air conditioning



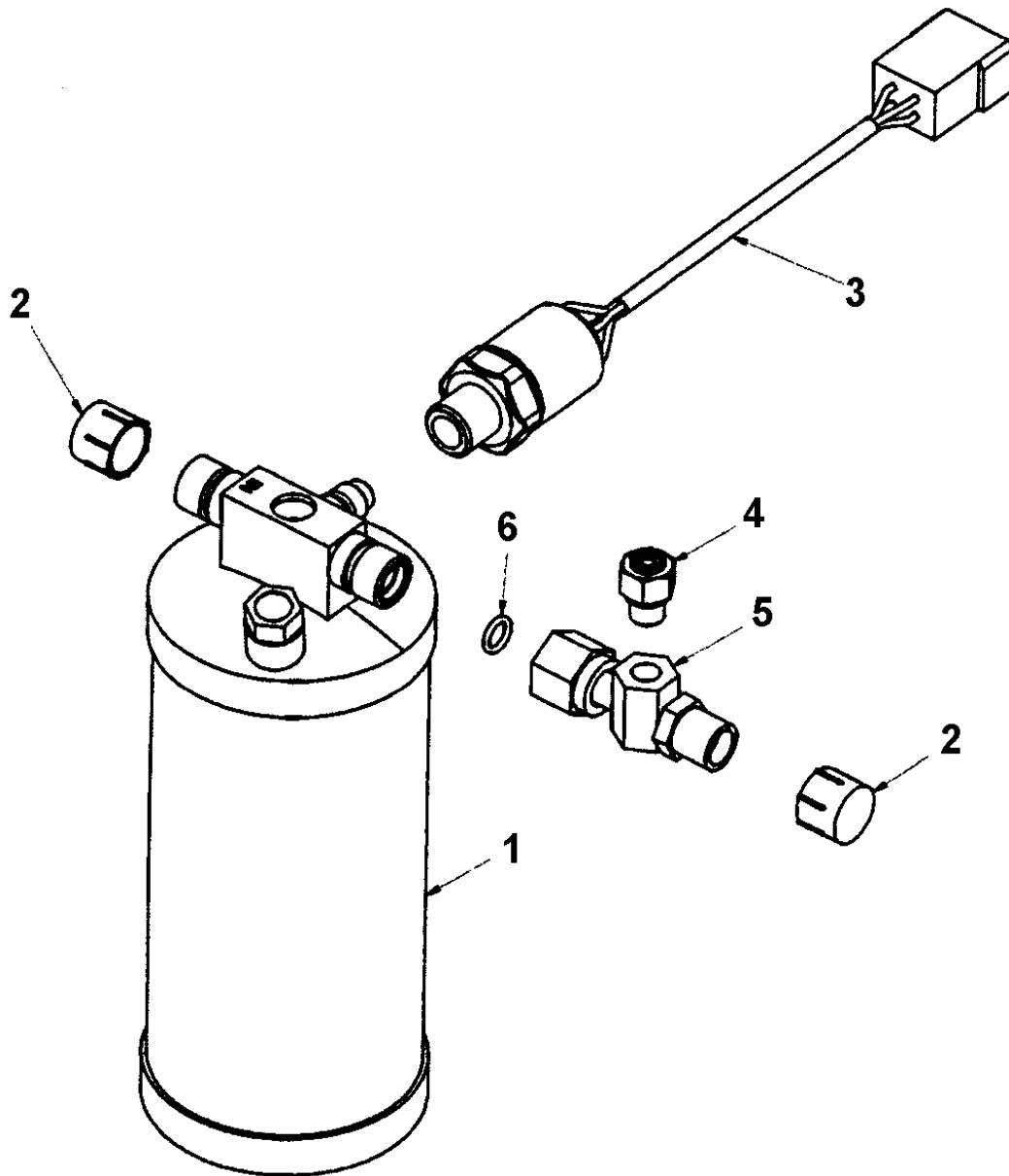
Item	Part No.	Name	Qty	L	SN INFO
1	-	Drying filter module	1		
2	-	Condensor assembly	1		
3	-	ACC module	1		
4	-	AC module	1		
5	-	Hose kit AC	1		
6	-	Compressor module	1		
7	-	Hose assy kit for AC	1		

Air conditioning Drying filter module



Item	Part No.	Name	Qty	L	SN INFO
1	4812111311	Bracket	1		
2	4812114257	Drying filter assy	1		
3	4700313022	Hose clamp	1		
4	4700904229	Washer, 8.4x 6x1.5 mm 300HV	3		
5	4700904165	Safety decal "Toxic gases"	1		
6	4700570005	Hexagon nut	3		

Air conditioning 4812114257 Drying filter assy

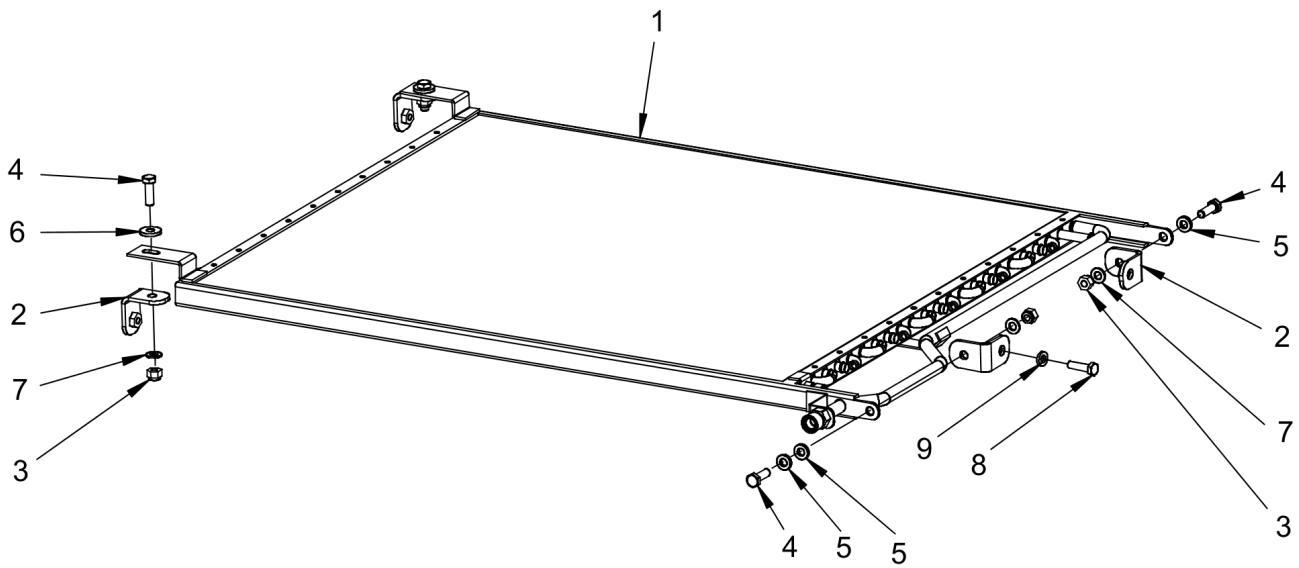
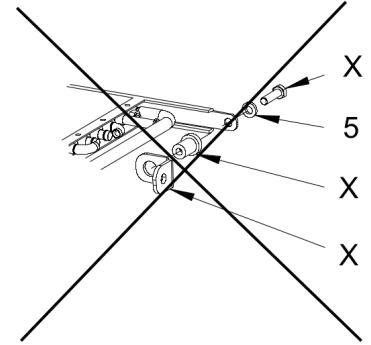
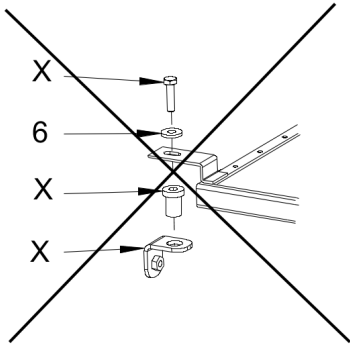


Refer to Parts Online for the most up to date information. The printed information might be outdated.

Wed Nov 14 15:03:44 UTC 2018

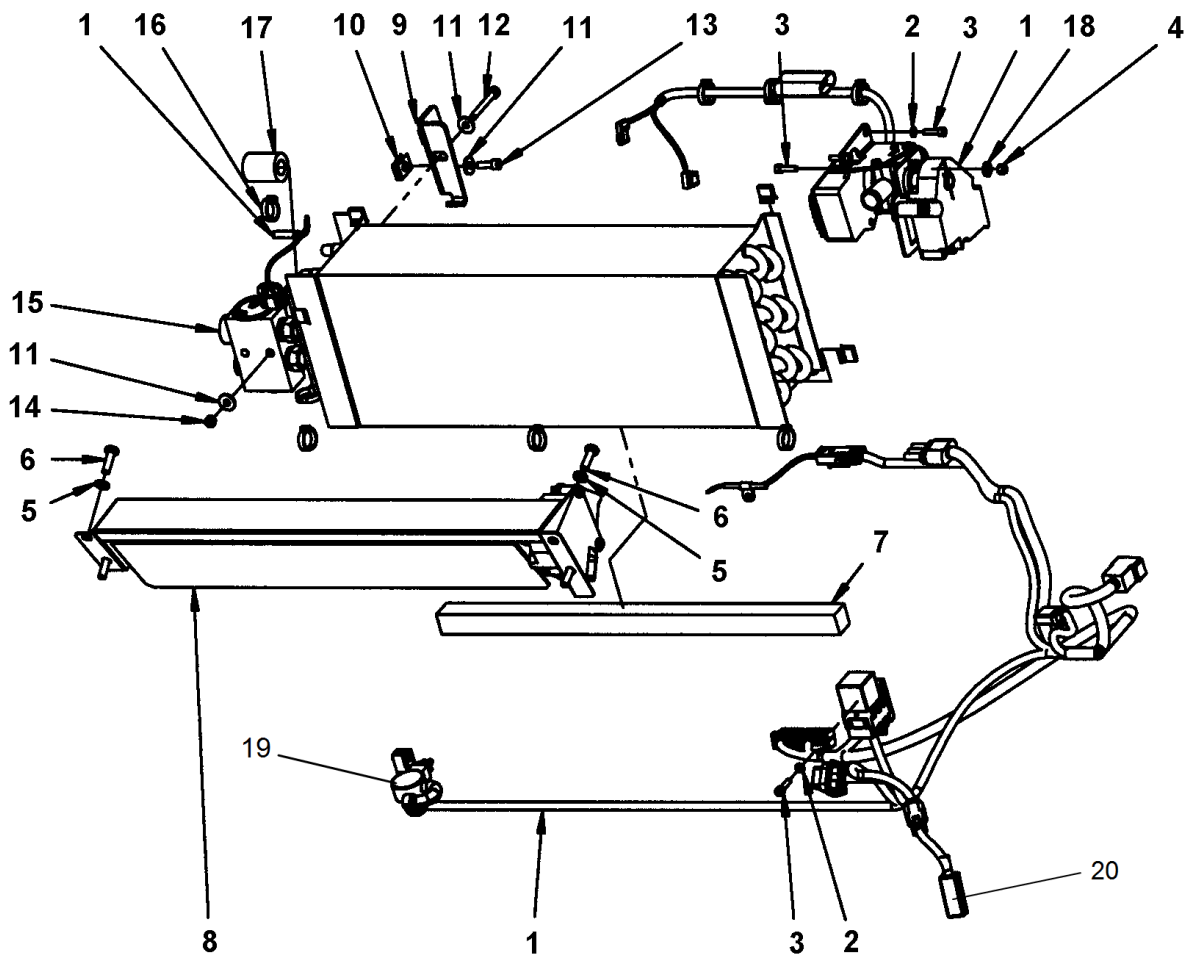
Item	Part No.	Name	Qty	L	SN INFO
1	4812113083	Drying filter	1		
2	-	Plastic cap	2		
3	4812113245	Pressure switch	1		
4	4812114245	Pressure relief valve	1		
5	4812114246	Adapter	1		
6	-	O-ring	1		

Air conditioning Condenser assembly



Item	Part No.	Name	Qty	L	SN INFO
1	4812113032	Condensor	1		
2	4812123800	Bracket	4		
3	4700586003	Lock nut M8	4		
4	4700500021	Screw, M8x25 mm 8.8 A2K	4		
5	4700904556	Steel plain washer 8,4x16x3,0	3		
6	4700904640	Washer, 8.4x22x3 mm 300HV	2		
7	4700904229	Washer, 8.4x 6x1.5 mm 300HV	4		
8	4700500022	Screw	4		
9	4700904556	Steel plain washer 8,4x16x3,0	4		
X	-	Not to be used			

Air conditioning ACC module



Refer to Parts Online for the most up to date information. The printed information might be outdated.

Wed Nov 14 15:03:44 UTC 2018

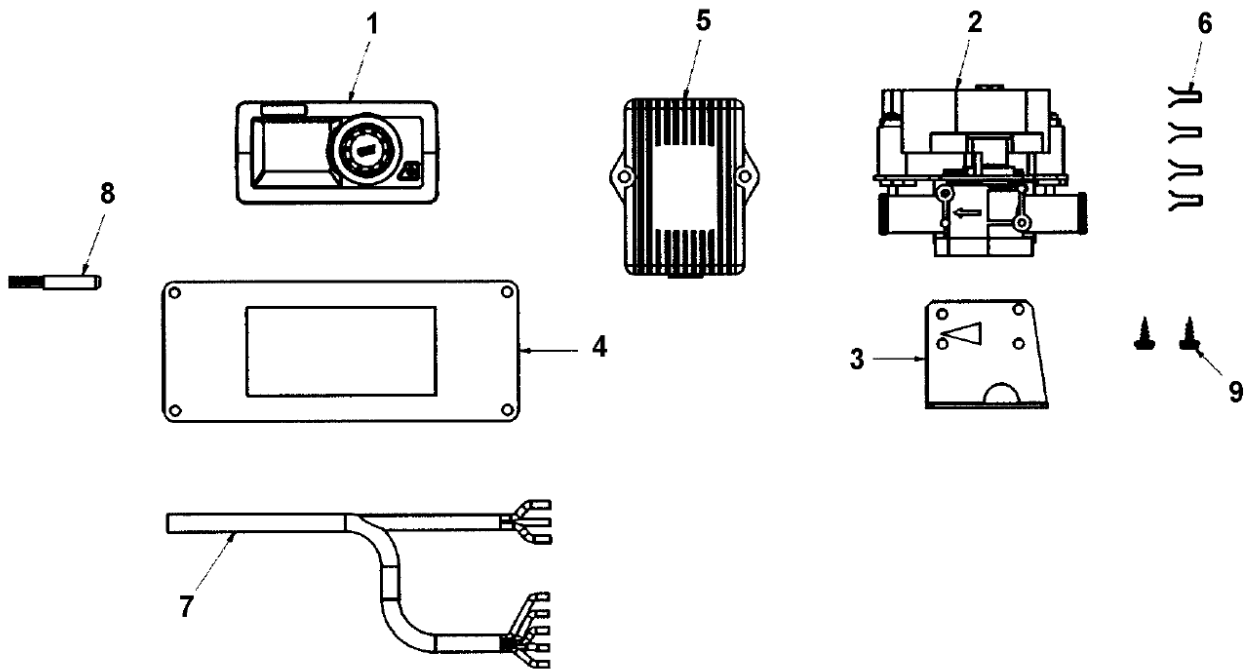
Item	Part No.	Name	Qty	L	SN INFO
1	4812113624	ACC kit	1		
2	4700904698	Plain washer	3		
3	4700508022	Hexagon socket head cap screw	4		
4	4700923976	Lock nut	1		
5	4700904228	Washer 6,4x12x1,5	4		
6	4700500040	Screw, M6x20 mm 8.8 A2K	4		
7	4700792718	Foam rubber	1		
8	4812115013	Air intake	1		
9	4812114311	Bracket	1		
10	4811000458	Speed nut	2		
11	4700601001	Washer	4		
12	4700508099	Screw	1		
13	4700926537	Screw	2		
14	4700570003	Hex. nut	1		
15	4812113623	Evaporator, cpl	1		
16	4700313041	Cable ties	10		
17	4812117349	Cork tape	1XL	A	
18	4700904299	Washer	1		
19	4700938624	Sensor, inner temp	1		
20	4812161298	Sensor, outer temp	1		

Comments for Page: ACC module

(L)OCAL REMARKS

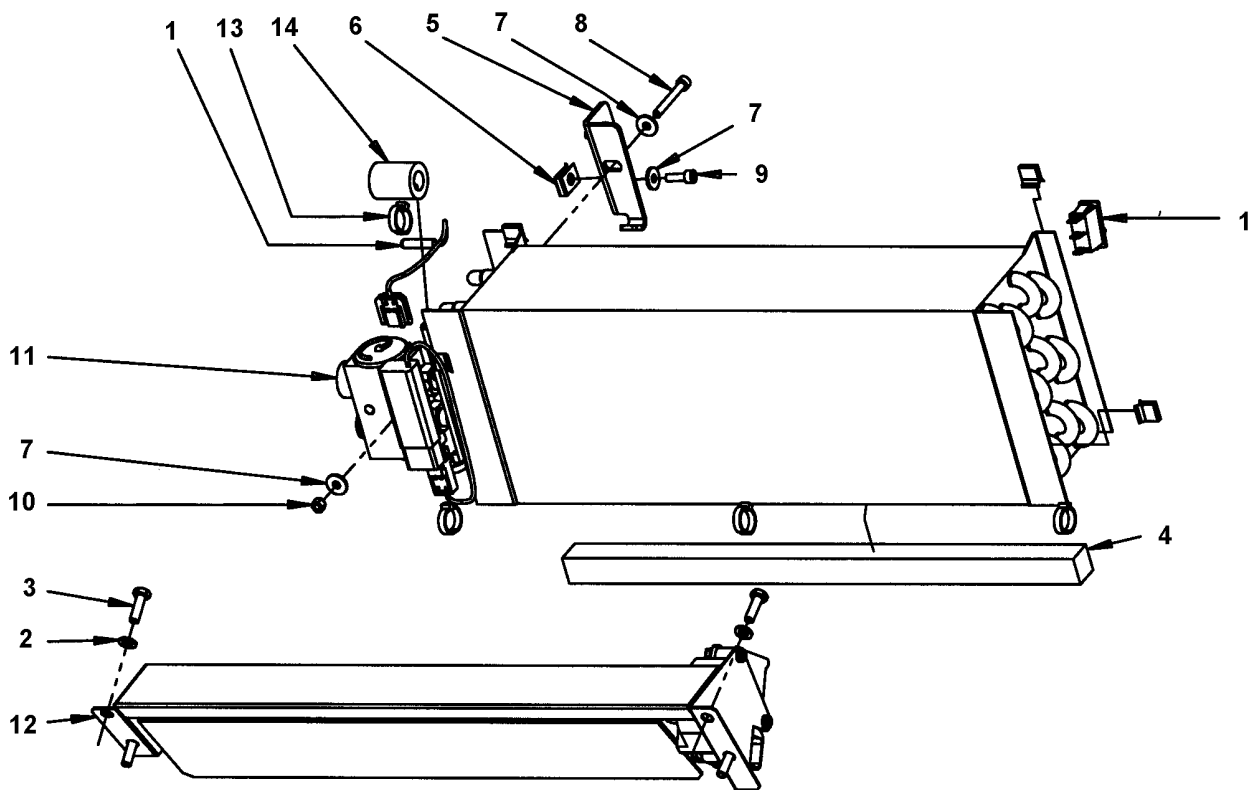
A | en_US | L = 0.5m

Air conditioning 4812113624 ACC kit



Item	Part No.	Name	Qty	L	SN INFO
1	4812158289	Micro ECC	1		
1	4812160767	Knob	1		
2	4700383425	Electronic valve	1		
3	-	Bracket	1		
4	-	Panel	1		
5	4812158290	Blower control	1		
6	-	Clip	4		
7	4812158291	Cable harness	1		
8	4812158292	Deicing sensor	1		
9	-	Screw	2		

Air conditioning AC module



Refer to Parts Online for the most up to date information. The printed information might be outdated.

Wed Nov 14 15:03:45 UTC 2018

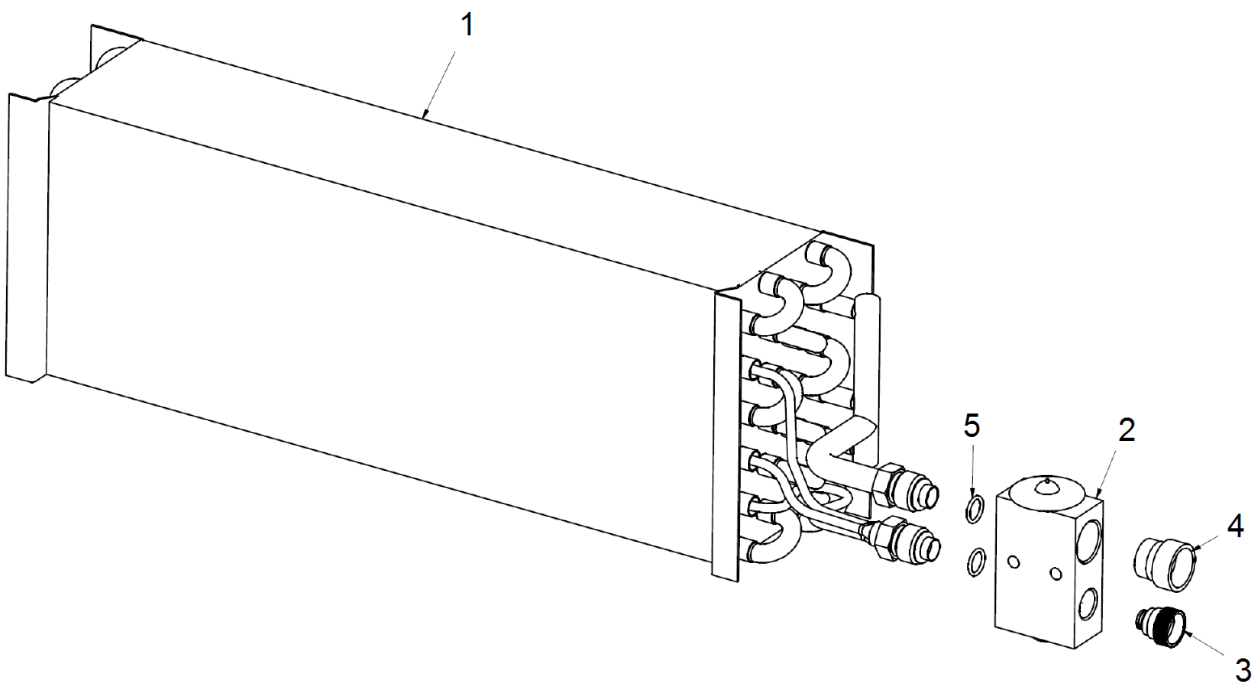
Item	Part No.	Name	Qty	L	SN INFO
1	4812113622	Ac kit	1		
1	4700950348	Switch, air condition	1		
1	4812158481	Switch, flapper	1		
1	4812158482	Thermostat	1		
2	4700904228	Washer 6,4x12x1,5	4		
3	4700500040	Screw, M6x20 mm 8.8 A2K	4		
4	4700792718	Foam rubber	1		
5	4812114311	Bracket	1		
6	4811000458	Speed nut	2		
7	4700601001	Washer	4		
8	4700508099	Screw	1		
9	4700926537	Screw	2		
10	4700570003	Hex. nut	1		
11	4812113623	Evaporator, cpl	1		
12	4812115013	Air intake	1		
13	4700313041	Cable ties	10		
14	4812117349	Cork tape	1XL	A	

Comments for Page: AC module

(L)OCAL REMARKS

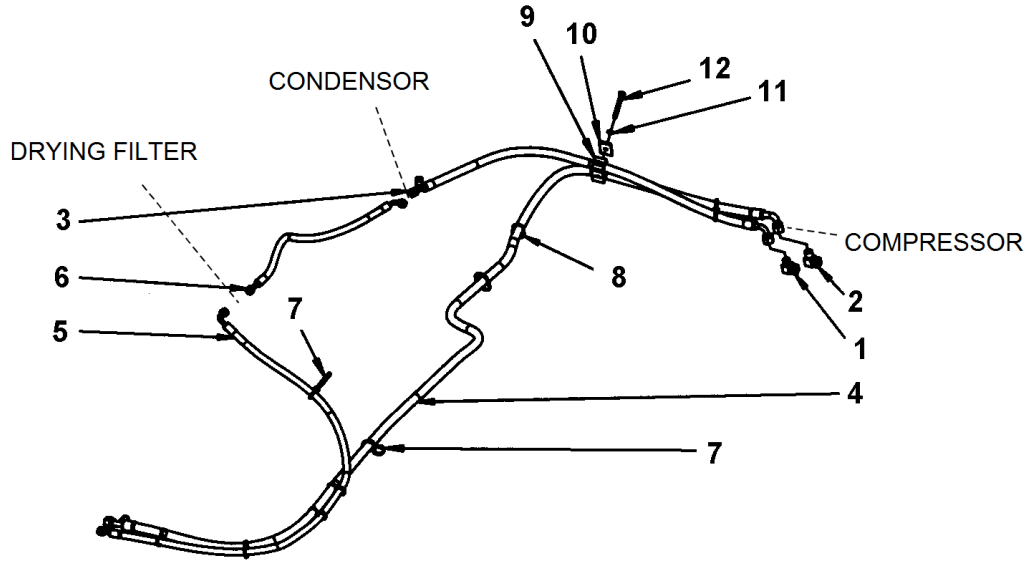
A | en_US | L = 0.5m

Air conditioning 4812113623 Evaporator, cpl

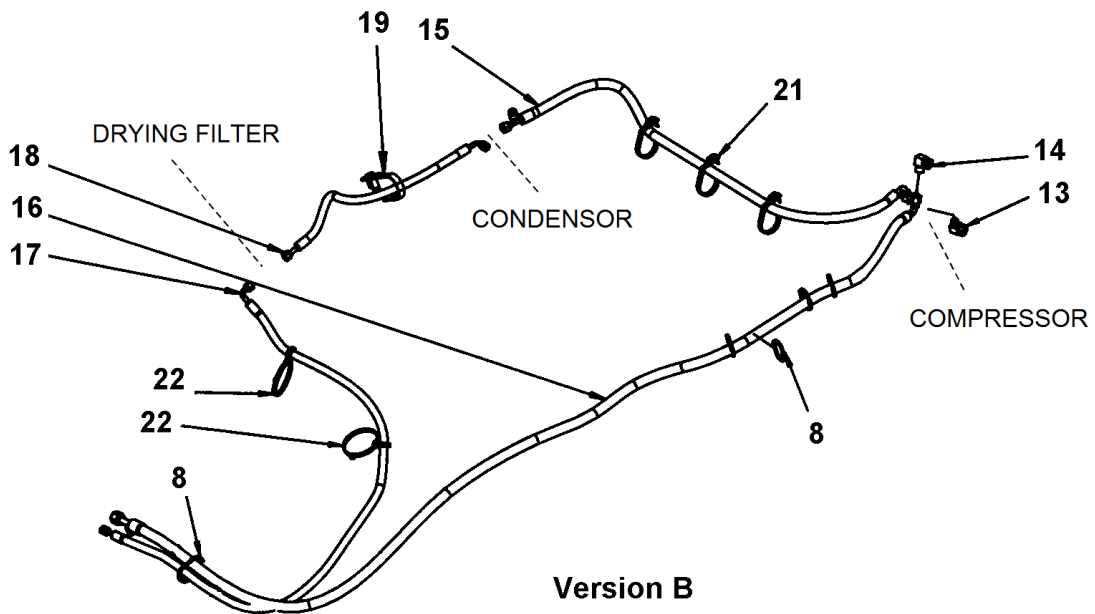


Item	Part No.	Name	Qty	L	SN INFO
1	4812160598	Evaporator coil	1		
2	4700384176	Expansion valve	1		
3	-	Connector plug	1		
4	-	Connector plug	1		
5	4700384878	O-ring Size 8	2		

Air conditioning Hose kit AC



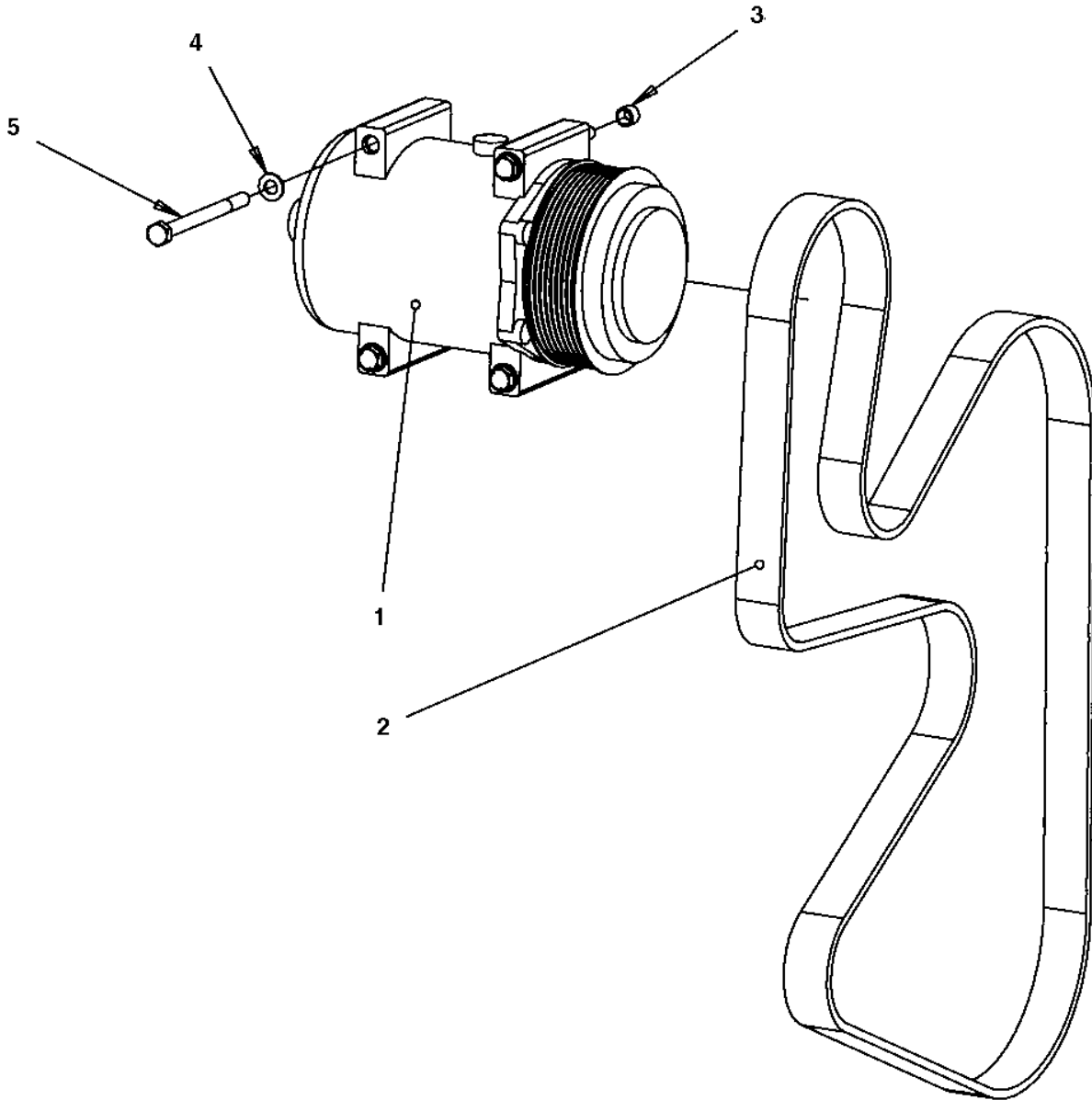
Version A



Version B

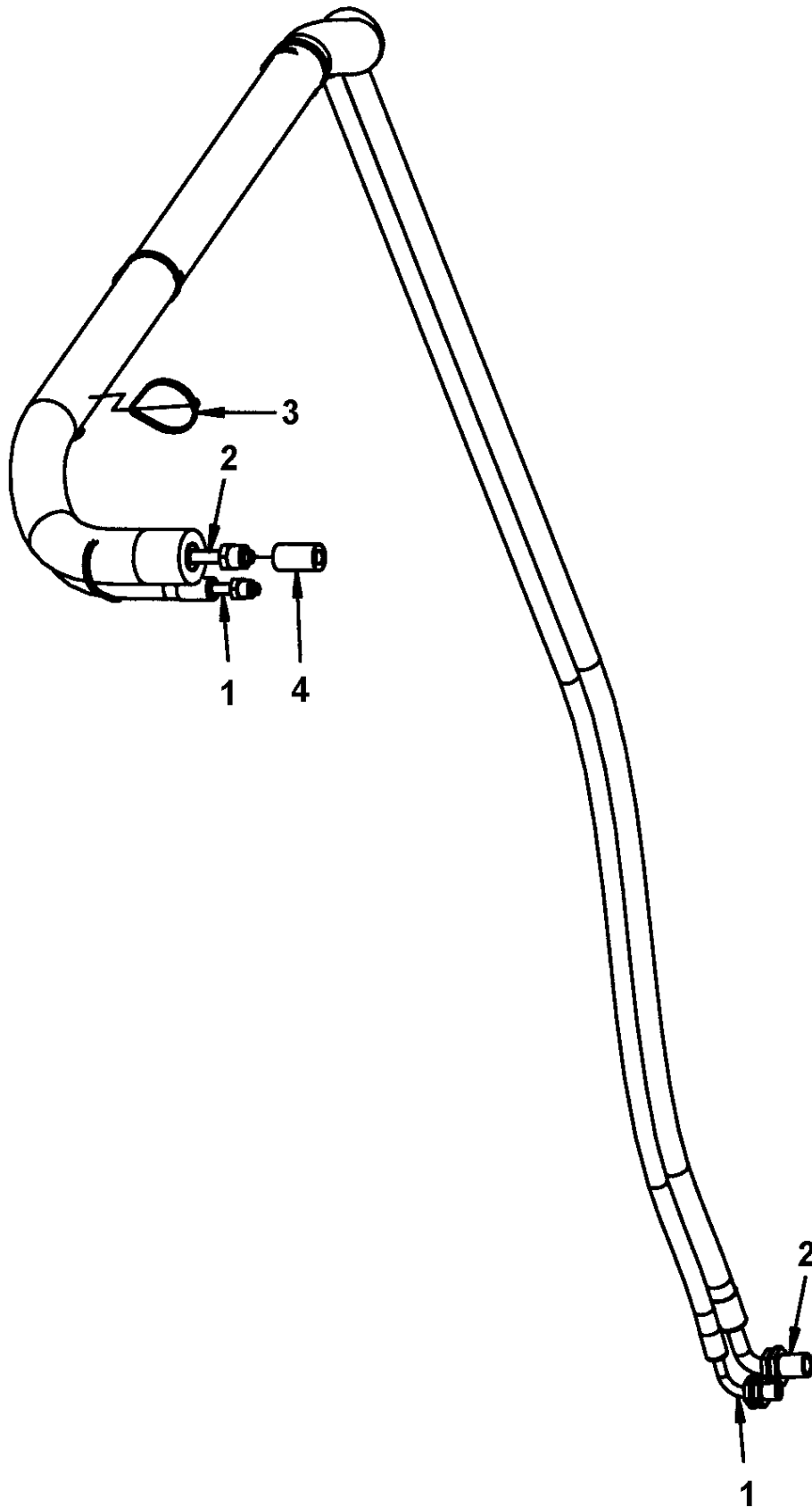
Item	Part No.	Name	Qty	L	SN INFO
1	4700394705	Refrigerant fitting	1		
2	4700394706	Refrigerant fitting	1		
3	4812114123	Refrigerant hose	1		
3	4700384878	O-ring Size 8	1		
4	4812114124	Refrigerant hose	1		
5	4812113491	Refrigerant hose	1		
6	4812113492	Refrigerant hose	1		
6	4700384877	O-ring Size 6	1		
7	4700792686	Cable tie with holder	N		
8	4700313041	Cable ties	N		
9	4700287295	Clamp	1		
10	4700287294	Cover plate	1		
11	4700904229	Washer, 8.4x 6x1.5 mm 300HV	1		
12	4700500068	Screw M08x65	1		
13	4700394705	Refrigerant fitting	1		
14	4700394706	Refrigerant fitting	1		
15	4812118215	Refrigerant hose	1		
15	4700384878	O-ring Size 8	1		
16	4812118216	Refrigerant hose	1		
17	4812113491	Refrigerant hose	1		
18	4812113492	Refrigerant hose	1		
18	4700384877	O-ring Size 6	1		
19	4812115835	Cable tie	1		
21	4812115836	Cable tie	3		
22	4812117248	Cable tie with holder	2		

Air conditioning Compressor module



Item	Part No.	Name	Qty	L	SN INFO
1	4700391621	Compressor	1		
2	4700391622	Belt	1		
3	4700945314	Guide ring	2		
4	4700904229	Washer, 8.4x 6x1.5 mm 300HV	4		
5	4700500096	Screw	4		

Air conditioning Hose assy kit for AC



Refer to Parts Online for the most up to date information. The printed information might be outdated.

Wed Nov 14 15:03:46 UTC 2018

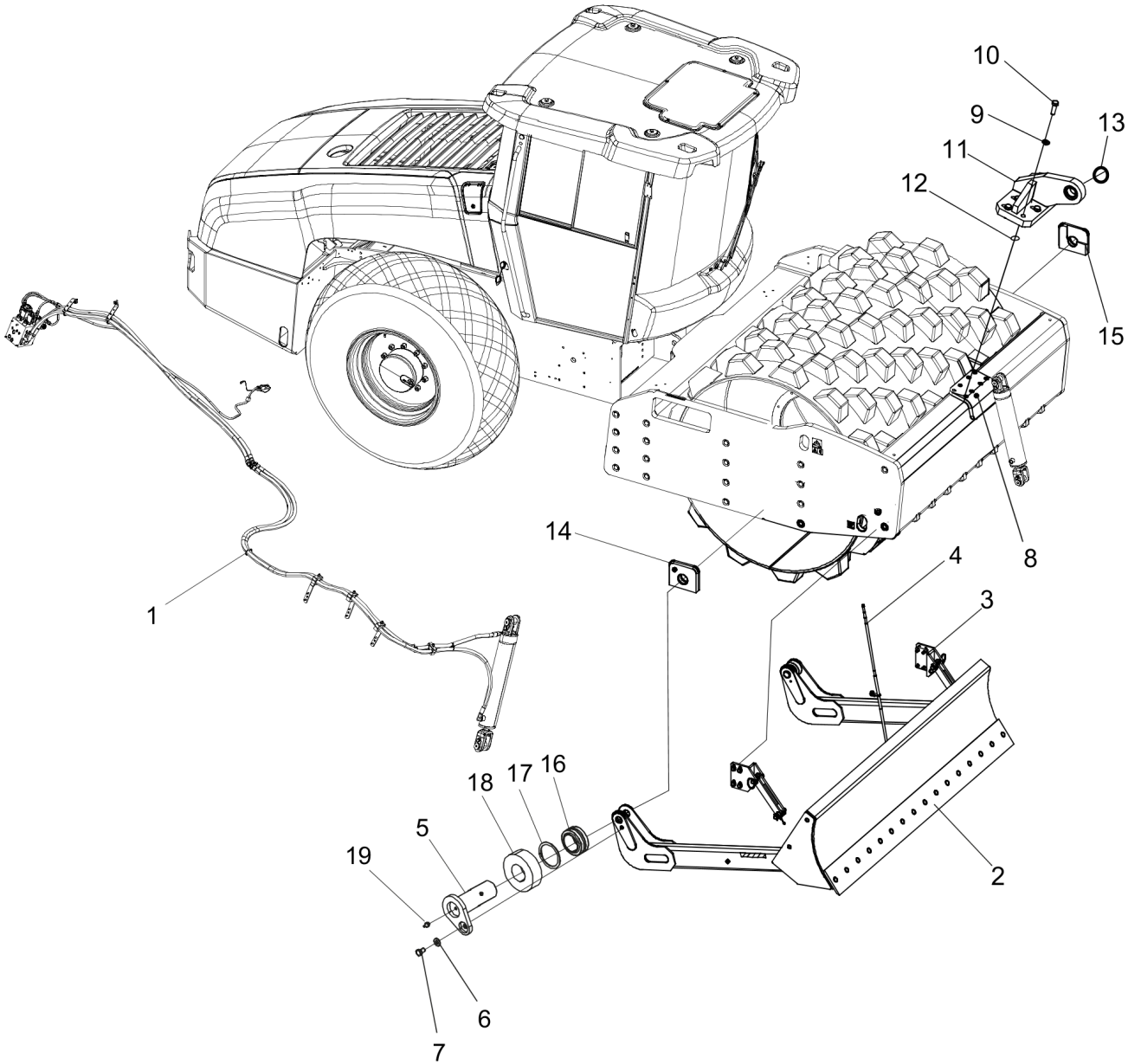
Item	Part No.	Name	Qty	L	SN INFO
1	4812114931	Refrigerant hose	1		
2	4812114932	Refrigerant hose	1		
3	4700792609	Cable ties	7		
4	4812117349	Cork tape	1XL	A	

Comments for Page: Hose assy kit for AC

(L)OCAL REMARKS

A | en_US | L = 0.2m

Strike off blade kit Strike of blade kit

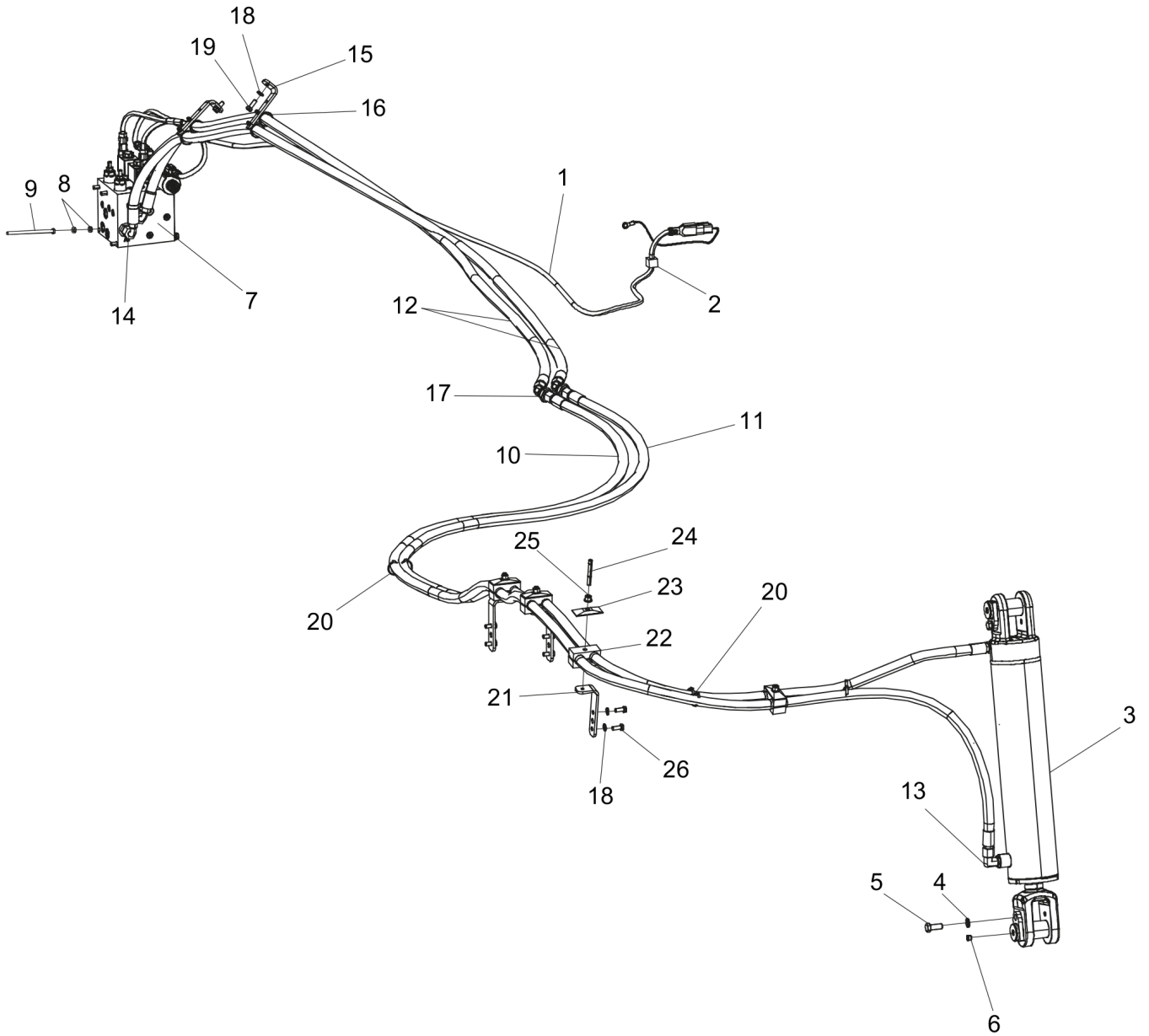


Refer to Parts Online for the most up to date information. The printed information might be outdated.

Wed Nov 14 15:03:46 UTC 2018

Item	Part No.	Name	Qty	L	SN INFO
0	4812141570	Strike off blade kit, cpl	1		
1	-	Hydraulic and electrical, strike off blade kit	1		
2	-	Strike off blade, module	1		
3	-	Locking device, module	2		
4	-	Indicator	1		
5	4812117328	Locking pin	2		
6	4700904230	Steel plain washer	2		
7	4700500043	Screw M10x16	2		
8	4812117050	Sheet metal part	1		
9	4700904232	Steel plain washer	8		
10	4700947697	Screw	8		Valid for welded cross beam
10	4700947699	Screw, M16 x 65 mm 10.9 GEOMET®	8		Valid for casted cross beam
11	4812114707	Bracket	1		
12	4812114428	Spacer sleeve	8		
13	4700792611	Radial spherical plain bearing	1		
14	4812120909	Bearing holder	1		
15	4812120910	Bearing holder	1		
16	4700902062	Bushing	2		
17	4700151044	Retaining ring	2		
18	4812114341	Spacer sleeve	2		
19	4700926214	Grease fitting	2		

Strike off blade kit Hydraulic and Electrical kit

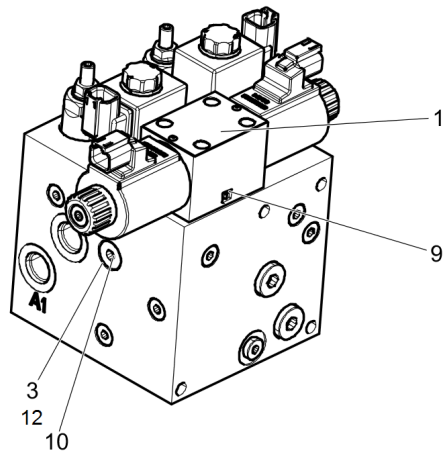
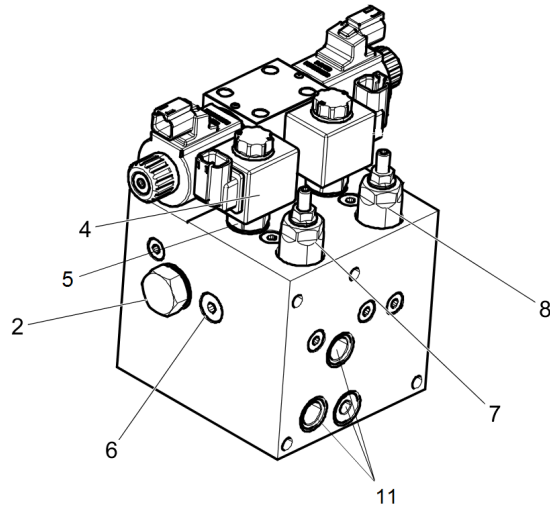


Refer to Parts Online for the most up to date information. The printed information might be outdated.

Wed Nov 14 15:03:47 UTC 2018

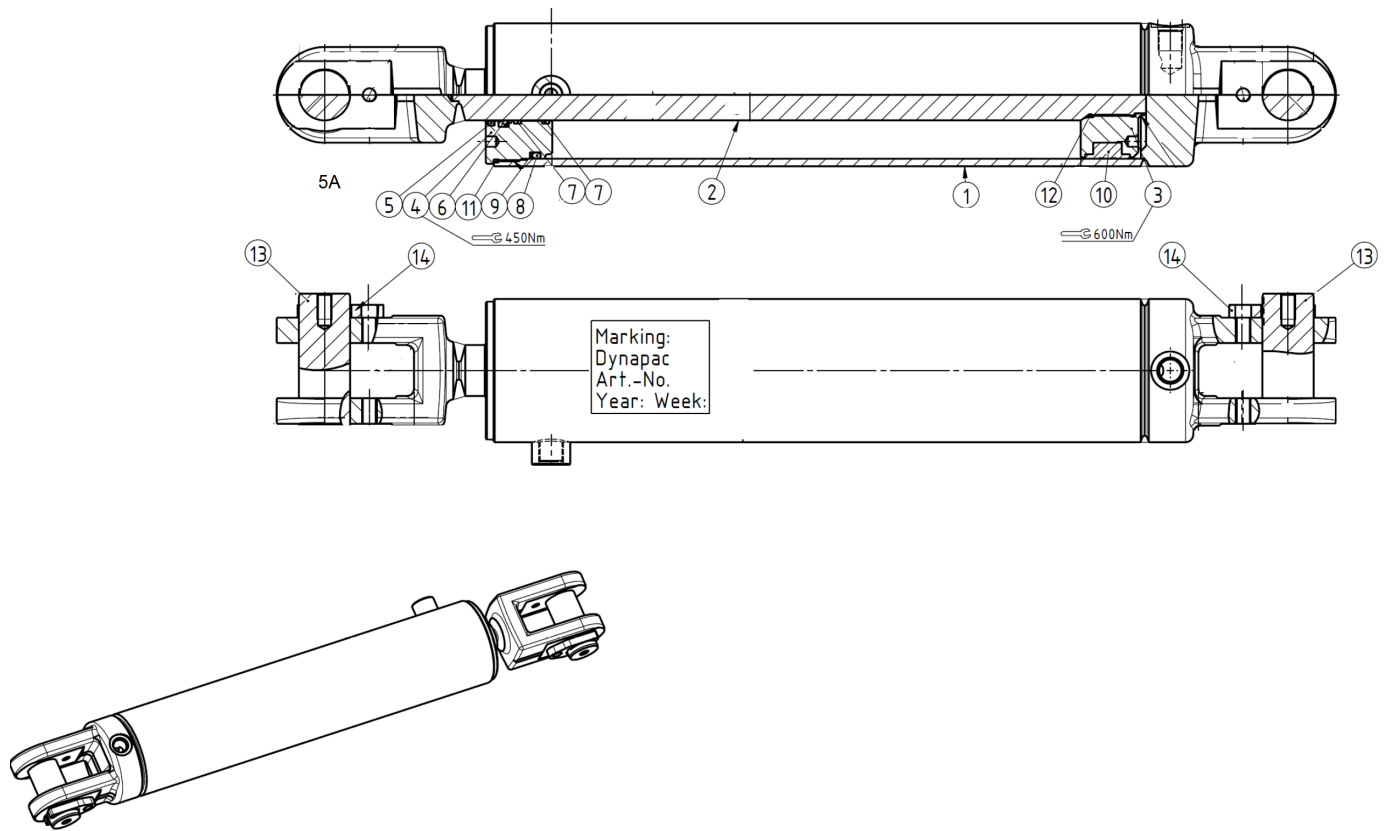
Item	Part No.	Name	Qty	L	SN INFO
1	4812111838	Cable harness	1		
2	4812112068	Cable entry insert	1		
3	4812121948	Hydraulic cylinder	1		
4	4700900994	Lock washer	2		
5	4700500046	Hex. head screw M12x030H	2		
6	4700792083	Plug	2		
7	4812113498	Hydraulic valve, Strike-off blade	1		
8	4700904556	Steel plain washer 8,4x16x3,0	8		
9	4700792359	Screw M8x160 8.8	4		
10	4812115079	Hydraulic hose	1		
11	4812115080	Hydraulic hose	1		
12	4812115085	Hydraulic hose	2		
13	4700791841	Elbow 90 orfs	2		
14	4700791799	Straight connector orfs	2		
15	4812112530	Bracket	1		
16	4700792441	Cable tie with holder	3		
17	4811000260	Bulkhead elbow 45 ORFS	2		
18	4700904229	Washer, 8.4x 6x1.5 mm 300HV	7		
19	4700500020	Hex. screw	1		
20	4700792686	Cable tie with holder	3		
21	4812112362	Bracket	3		
22	4700903456	Pipe clamp	5		
22	4700287295	Clamp	1		
23	4700904872	Cover plate	6		
24	4700792500	Stud	6		
25	4700902286	Lock nut, M8x1.25 mm A2K	6		
26	4700500053	Screw, M8x20 mm 8.8 A2K	6		

Strike off blade kit 4812113498 Hydraulic valve, Strike-off blade



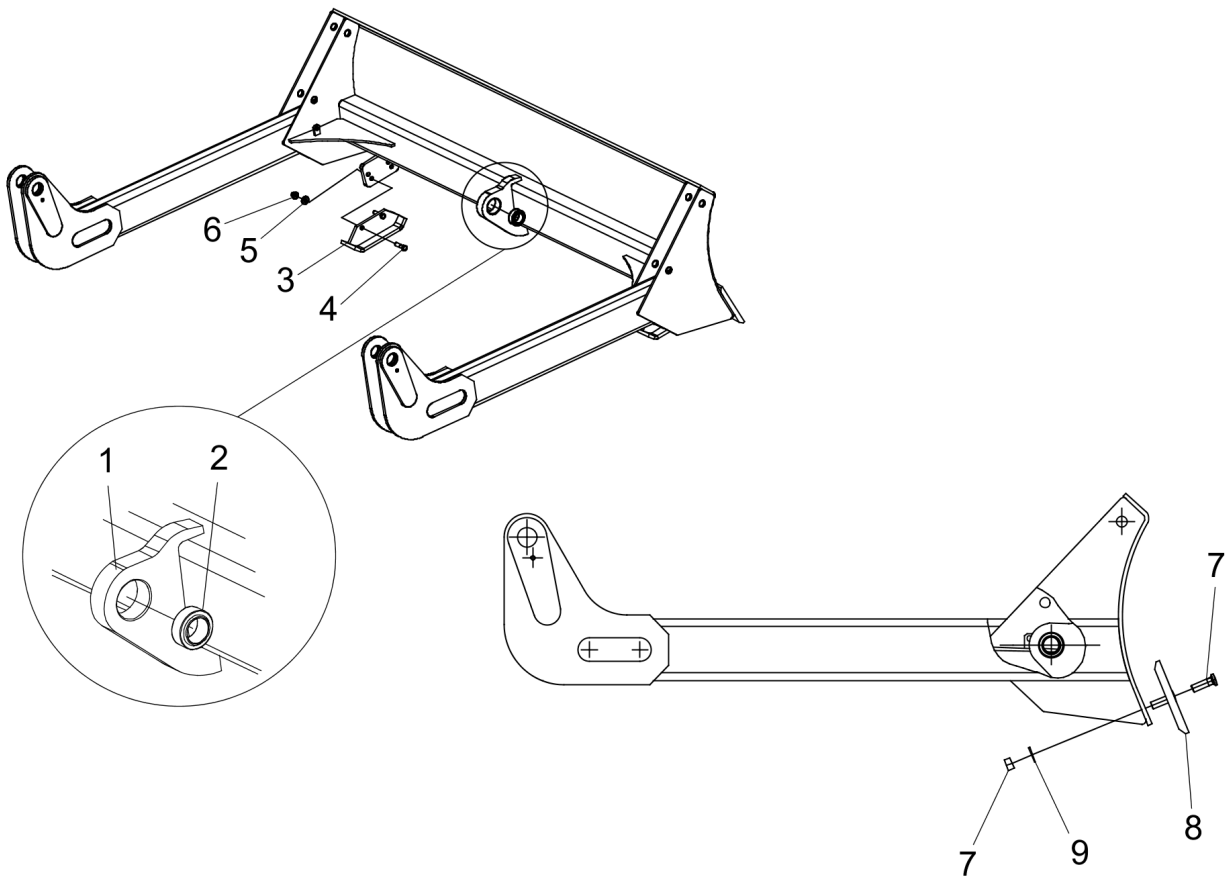
Item	Part No.	Name	Qty	L	SN INFO
1	4812157752	Directional valve 4/3	1		
1.1	4812162558	Coil	2		
2	4812157753	Pressure compensator	1		
3	4812162556	Check valve	1		
4	4812157771	Coil	2		
5	4812157775	Floating valve	2		
6	4812157681	Shuttle valve	1		
7	4812157754	Pressure relief valve	1		
8	4812157755	Pressure relief valve	1		
9	4812157756	Restrictor	1		
10	4812157757	Perforated screw	1		
11	4812160265	O-ring	3		
12	4812162557	Fitting tool	1		

Strike off blade kit 4812121948 Hydraulic cylinder



Item	Part No.	Name	Qty	L	SN INFO
0	4812121948	Hydraulic cylinder	1		
1	--	Guide block	1		
2	--	Guide block	1		
3	--	Guide block	1		
4	--	Guide block	1		
5A	4700950417	Seal kit	1		
5		Scraper	1		
6		Rod seal	1		
7	---	O-ring	2		
8	4812157565	O-ring	1		
9	---	O-ring	1		
10	4812157566	Piston seal	1		
11	4812157567	O-ring	1		
12	---	O-ring	1		
13	4812161153	Pin	2		
14	4812157572	Locking bracket	2		

Strike off blade kit Strike off blade, mount

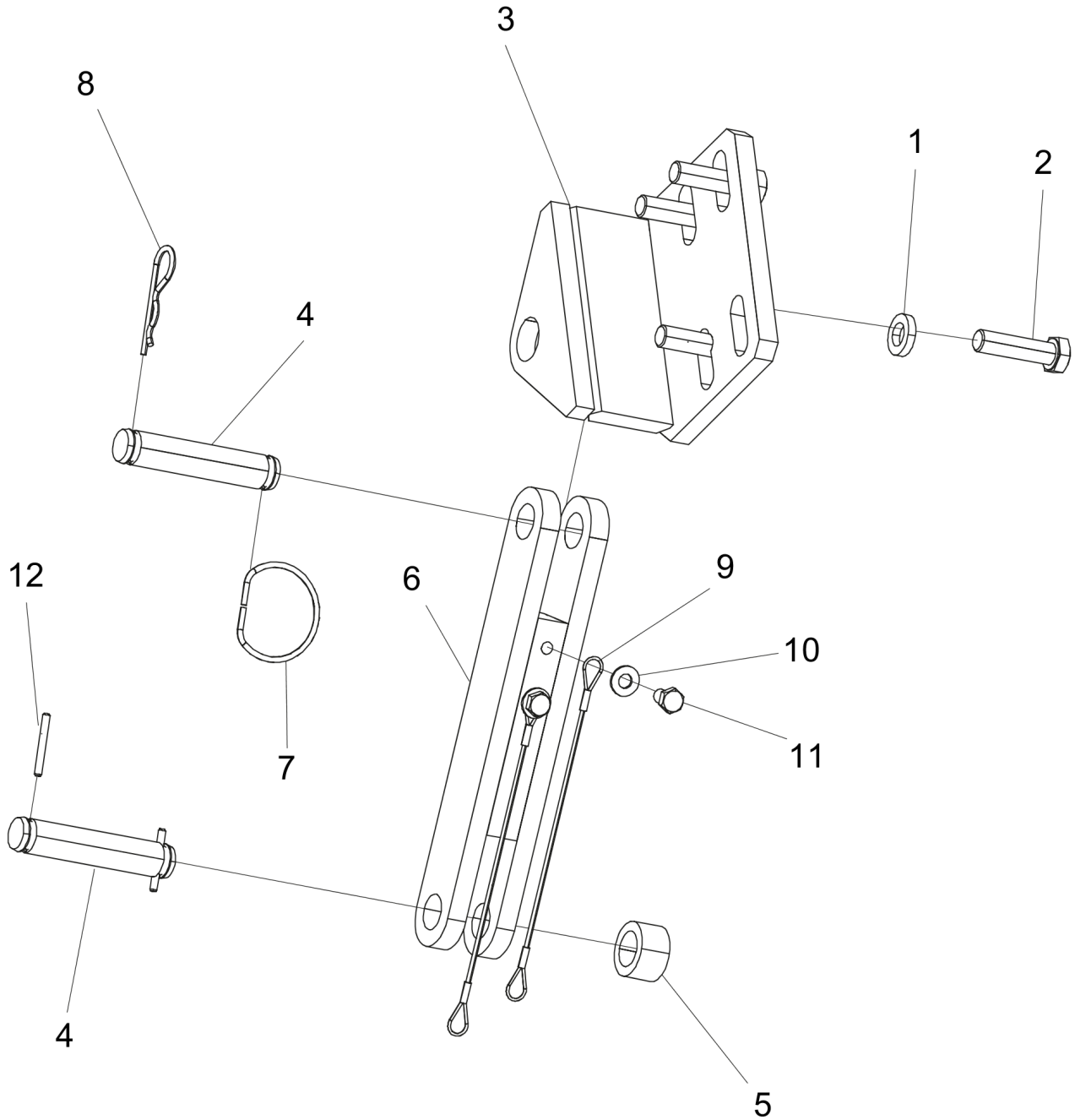


Refer to Parts Online for the most up to date information. The printed information might be outdated.

Wed Nov 14 15:03:48 UTC 2018

Item	Part No.	Name	Qty	L	SN INFO
1	4812113156	Strike off blade	1		
2	4700792611	Radial spherical plain bearing	1		
3	4700346217	Shoe	2		
4	4700500195	Screw	4		
5	4700904213	Steel Plain Washer	4		
6	4700902288	Nut M12	4		
7	4700801251	Screw with nut	16		
8	4812111944	Blade	1		
9	4700904260	Washer	16		

Strike off blade kit Locking device, module

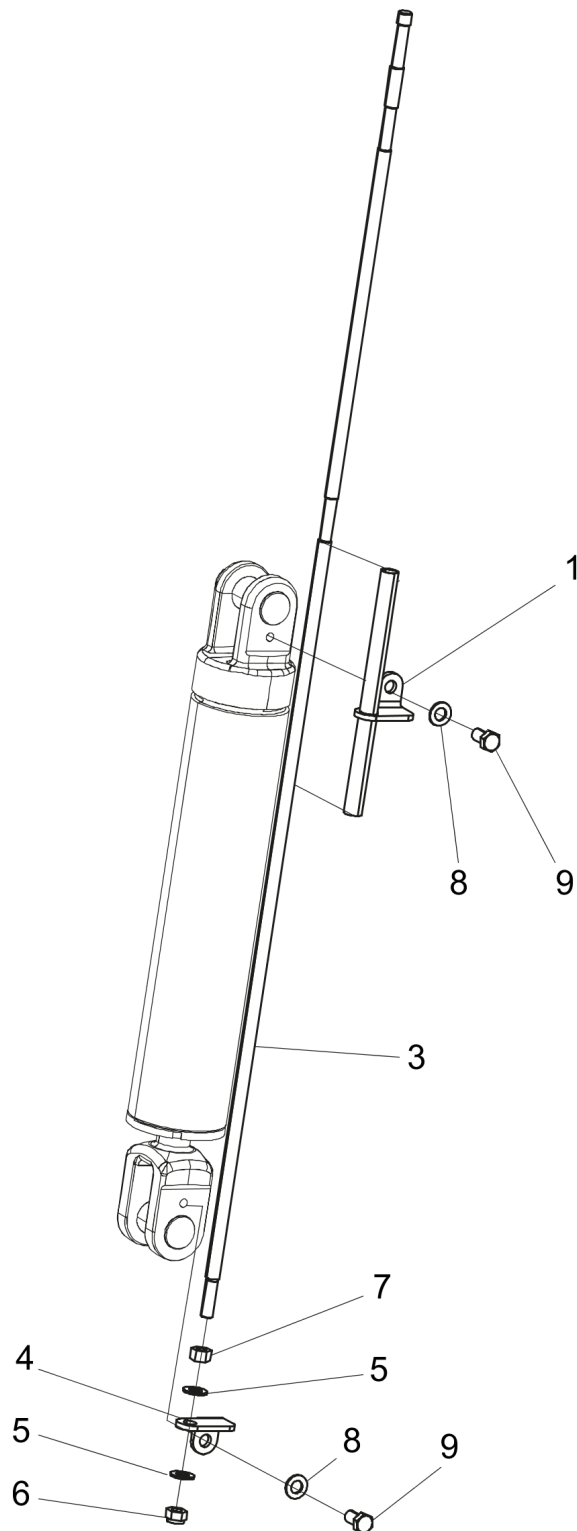


Refer to Parts Online for the most up to date information. The printed information might be outdated.

Wed Nov 14 15:03:48 UTC 2018

Item	Part No.	Name	Qty	L	SN INFO
1	4700904558	Washer, 17x30x6 mm 300 HV	4		
2	4812117740	Hex head screw M16x90	4		
3	4812121886	Bracket	1		
4	4812111946	Pin	2		
5	4812111937	Spacer sleeve	1		
6	4812117587	Safety link	1		
7	4700357488	Spring	1		
8	4700635061	Pin	1		
9	4700381619	Wire	2		
10	4700904260	Washer	2		
11	4700500043	Screw M10x16	2		
12	4700629076	Spring pin	2		

Strike off blade kit Indicator, module

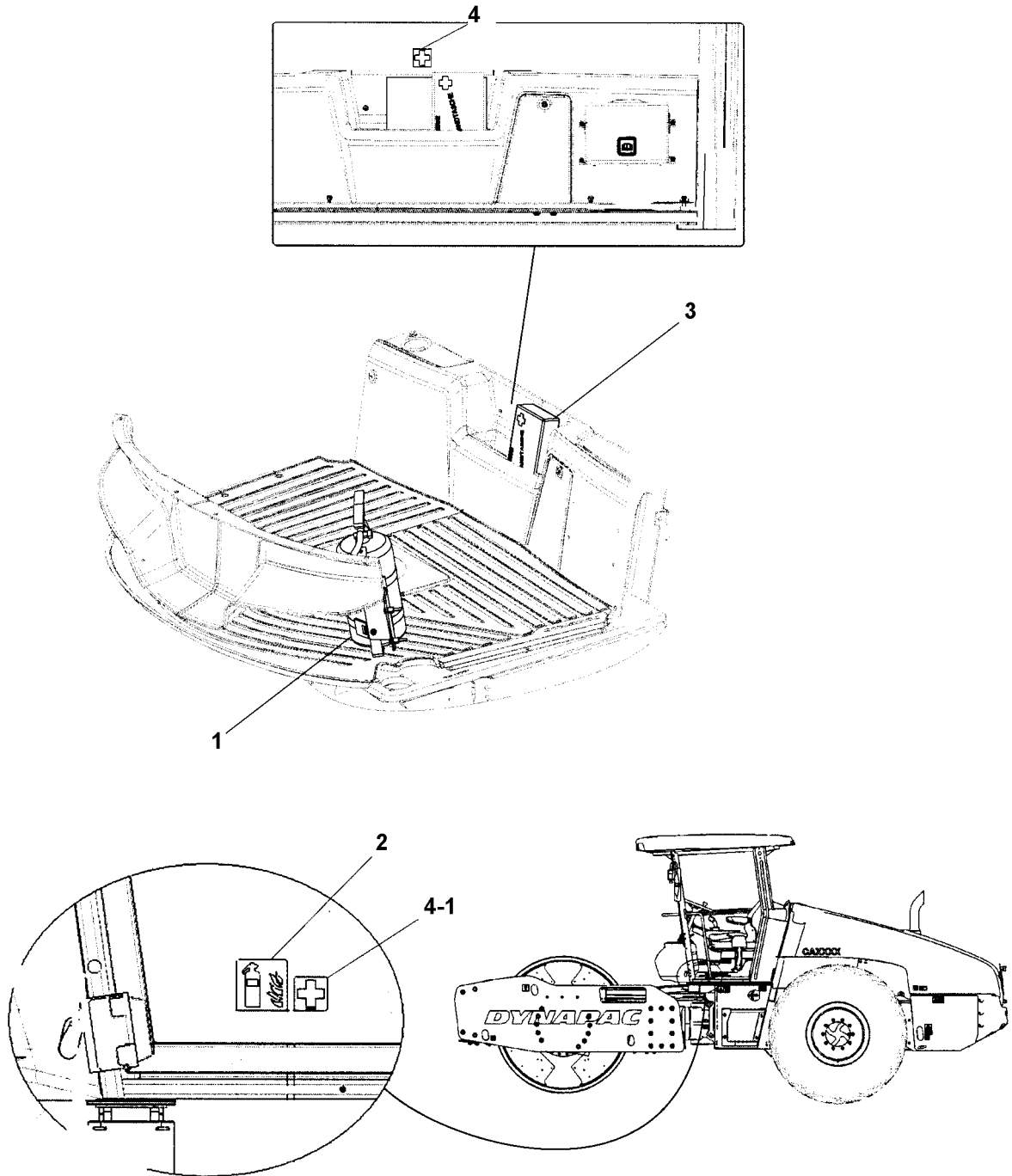


Refer to Parts Online for the most up to date information. The printed information might be outdated.

Wed Nov 14 15:03:48 UTC 2018

Item	Part No.	Name	Qty	L	SN INFO
1	4812113935	Bracket	1		
3	4812113936	Indicator	1		
4	4812113934	Bracket	1		
5	4700904231	Washer, 13x24x2 mm 300 HV	2		
6	4700791963	Lock nut M12	1		
7	4700570007	Nut	1		
8	4700904231	Washer, 13x24x2 mm 300 HV	2		
9	4700500036	Screw	2		

Fire extinguisher/First Aid Cushion Fire extinguisher/First Aid Cushion



Refer to Parts Online for the most up to date information. The printed information might be outdated.

Wed Nov 14 15:03:48 UTC 2018

Item	Part No.	Name	Qty	L	SN INFO
1	-	Fire extinguisher	1		
2	4700792634	Decal fire extinguisher	1	A	
3	4700394395	First aid cushion	1		
4	4700902509	Decal	1	B	
4-1	4700902509	Decal	1	A	

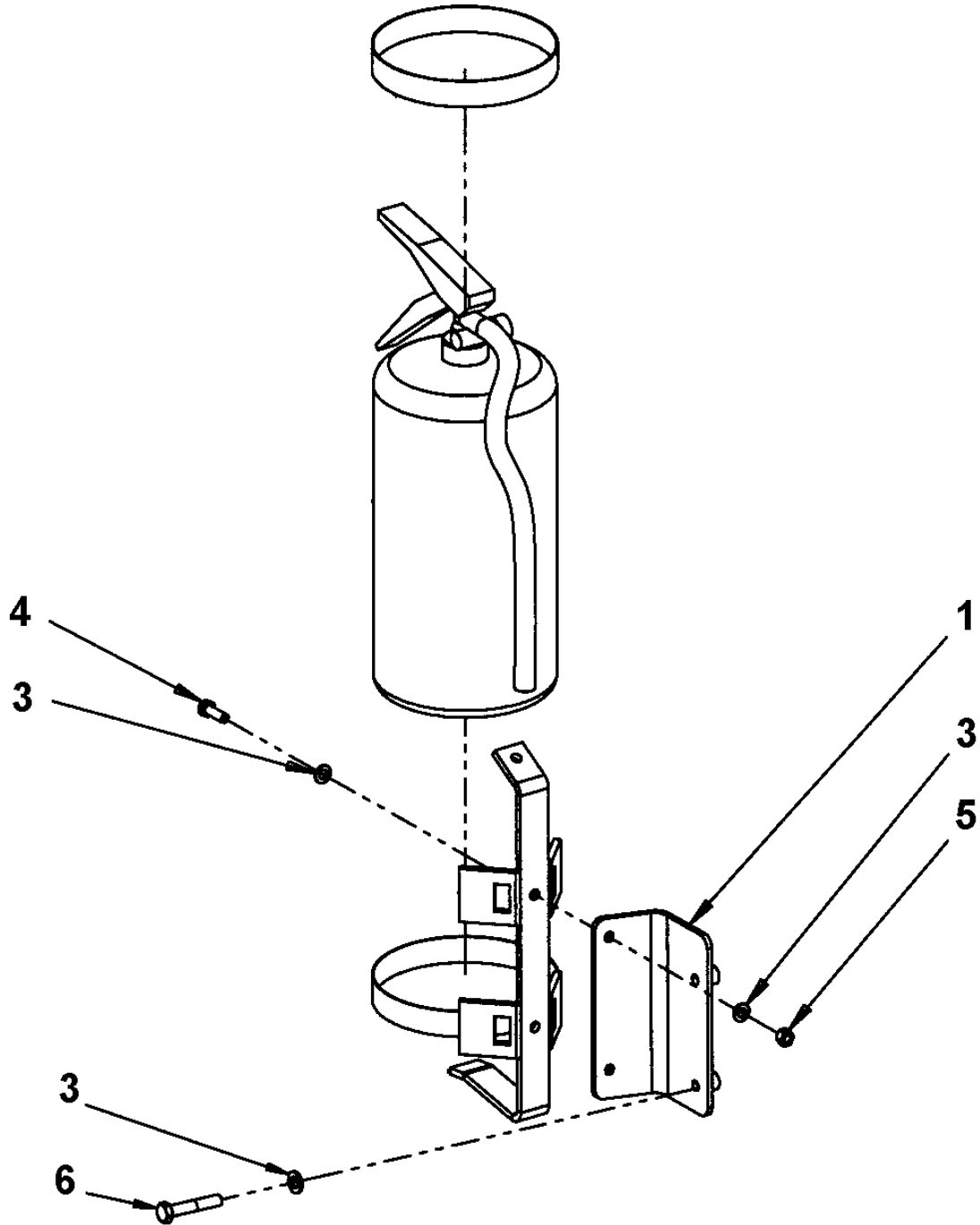
Comments for Page: Fire extinguisher/First Aid Cushion

(L)OCAL REMARKS

A | en_US | Location on cab.

B | en_US | Location on platform.

Fire extinguisher/First Aid Cushion Fire extinguisher

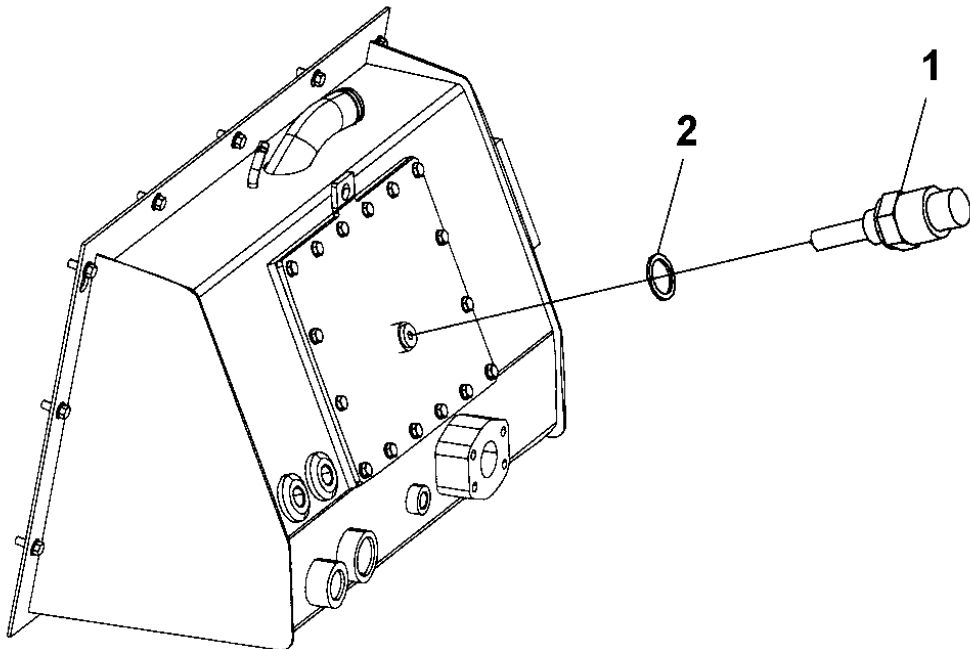


Refer to Parts Online for the most up to date information. The printed information might be outdated.

Wed Nov 14 15:03:49 UTC 2018

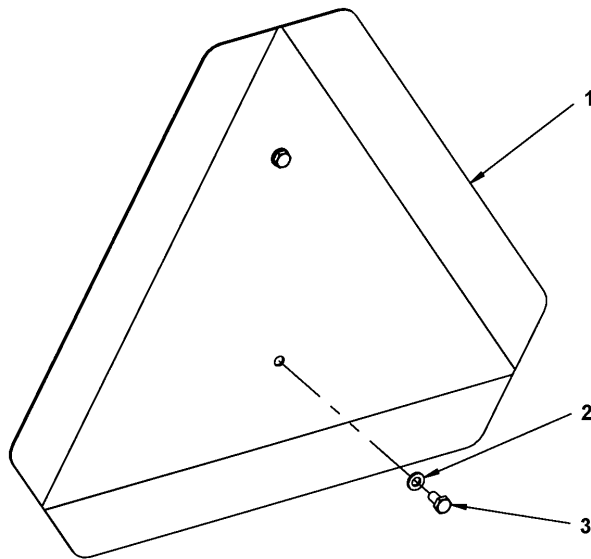
Item	Part No.	Name	Qty	L	SN INFO
1	4812114804	Bracket	1		
3	4700904229	Washer, 8.4x 6x1.5 mm 300HV	6		
4	4700500021	Screw, M8x25 mm 8.8 A2K	2		
5	4700570005	Hexagon nut	2		
6	4700500024	Screw M8x45	2		

Level sensor module, option Level sensor module, option



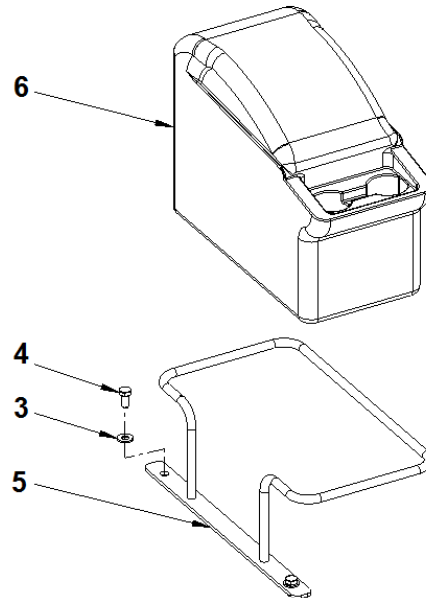
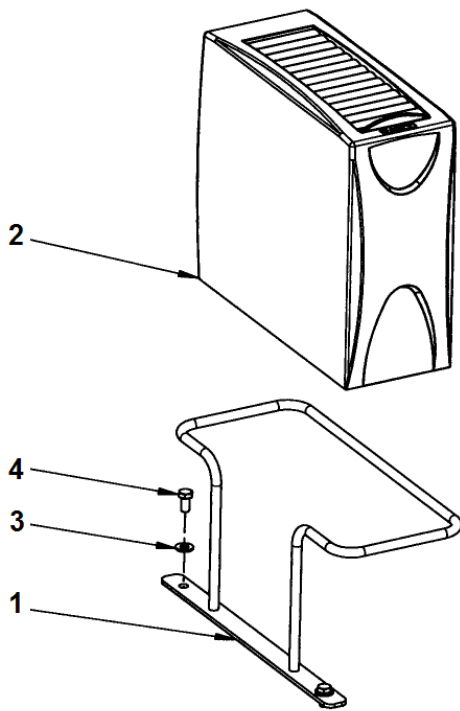
Item	Part No.	Name	Qty	L	SN INFO
1	4812112423	Level sensor	1		
2	4700330331	Washer 18,2x23,9x1,5	1		

SMV-sign SMV-sign



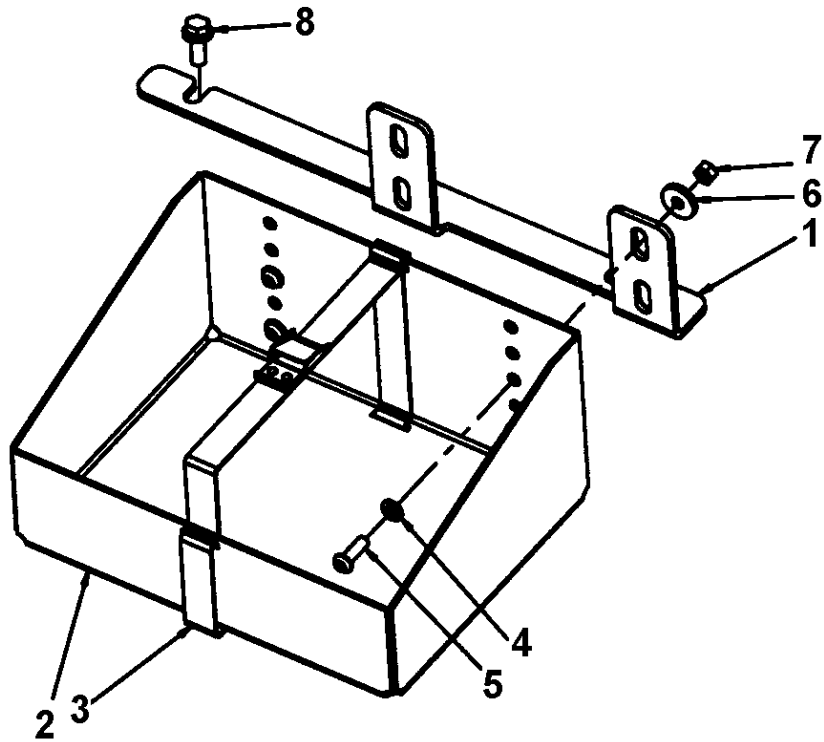
Item	Part No.	Name	Qty	L	SN INFO
1	4700476019	SMV-sign	1		
2	4700904228	Washer 6,4x12x1,5	2		
3	4700500012	Hex. screw	2		

Cooling box module Cooling box module



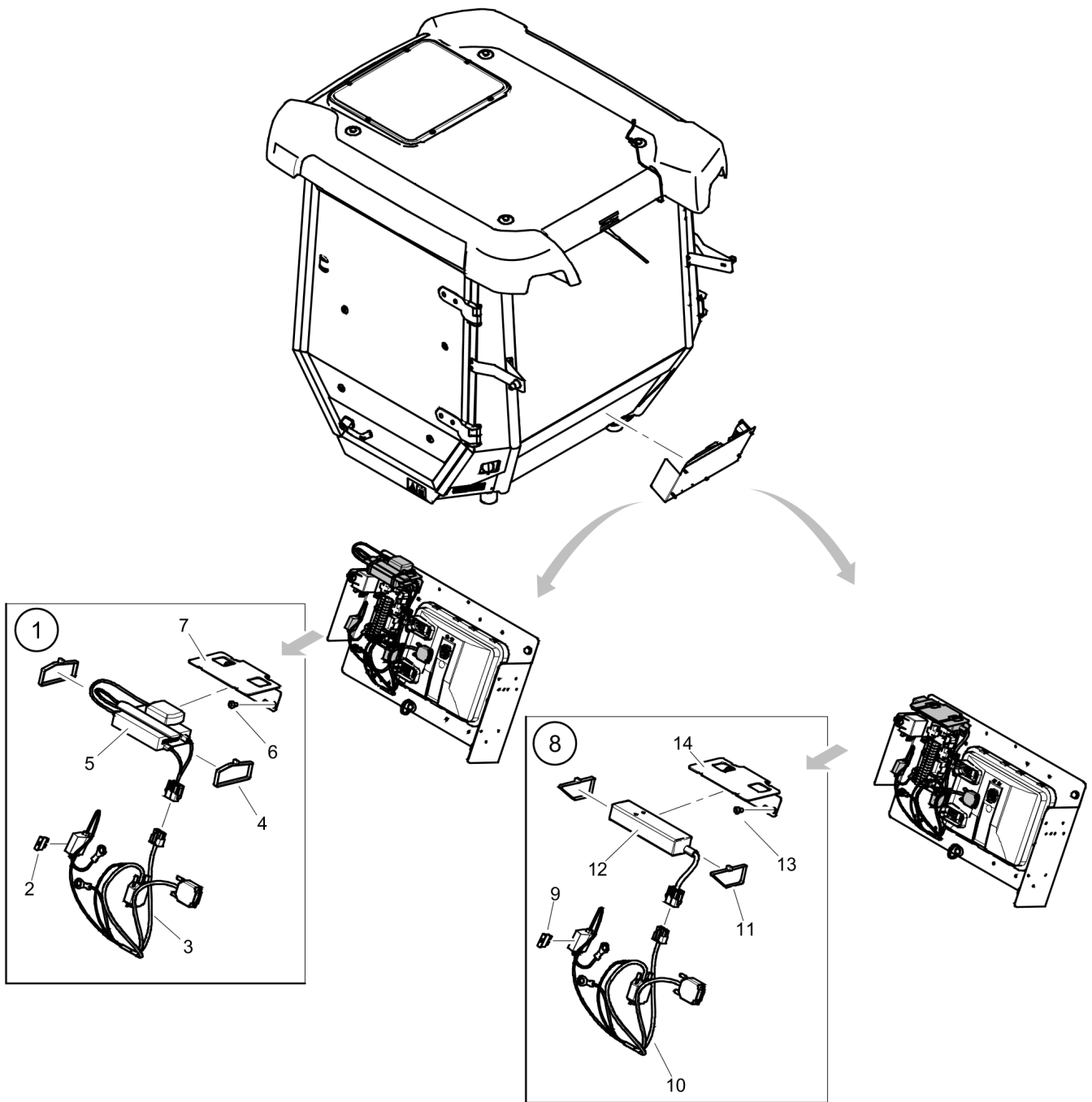
Item	Part No.	Name	Qty	L	SN INFO
1	4812114742	Holder	1		
2	4812118842	Cooling box	1		
2	4812160053	Cable 12V	1		
3	4700904230	Steel plain washer	2		
4	4700500048	Screw, M10x20 mm 8.8 A3K	2		
5	4812126463	Holder	1		
6	4812126487	Cooling box	1		

Lunch box Lunch box



Item	Part No.	Name	Qty	L	SN INFO
1	4812118893	Bracket	1		
2	4700377913	Box	1		
3	4700287643	Metal strapping	1		
4	4700904229	Washer, 8.4x 6x1.5 mm 300HV	4		
5	4700904654	Screw, M8 x 25 mm A2-70	4		
6	4700904734	Washer, 8.4x26x4 mm 300 HV	4		
7	4700570005	Hexagon nut	4		
8	4700500509	Screw, M10x25, 8.8	2		

Optional equipment Dyn@Link module

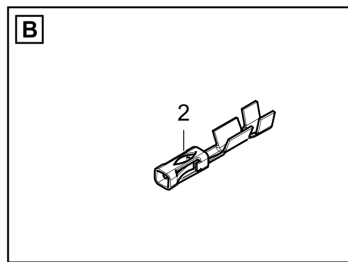
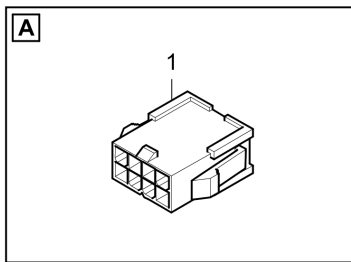
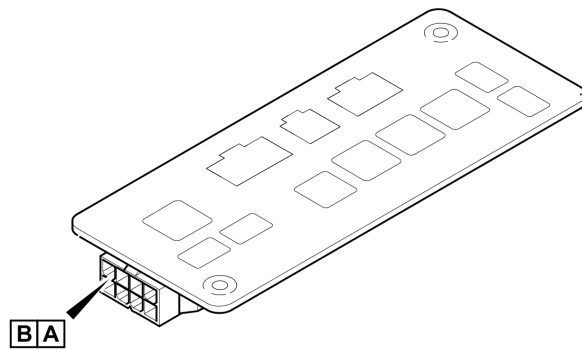


Refer to Parts Online for the most up to date information. The printed information might be outdated.

Wed Nov 14 15:03:49 UTC 2018

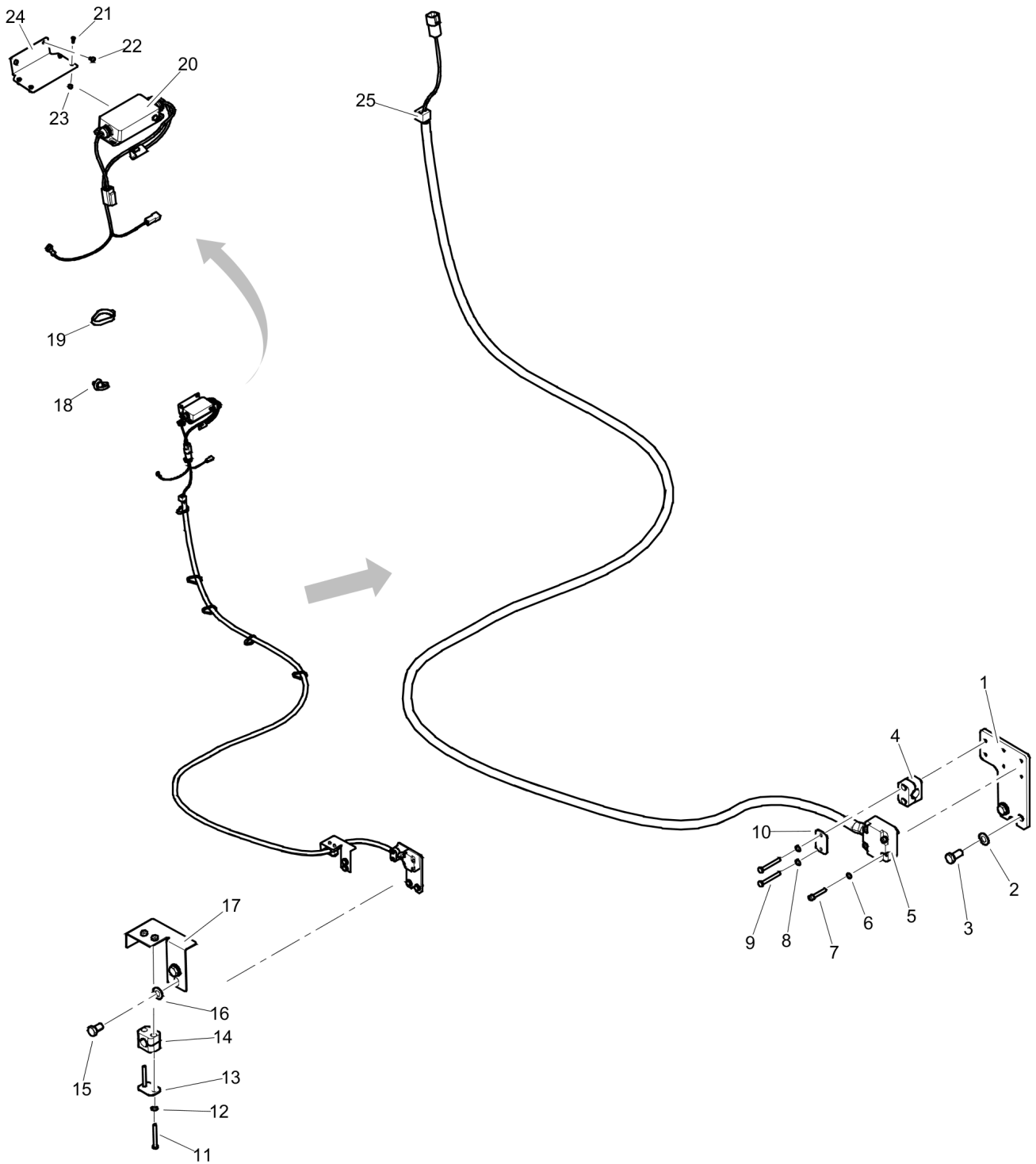
Item	Part No.	Name	Qty	L	SN INFO
1		FleetLink Advanced			
2	4700901225	Fuse 5A Tan	1		
3	4812124256	Wiring harness	1		
4	4700792609	Cable ties	2		
5	4812013040	GPS module, V2	1		
6	4700792210	Screw torx	2		
7	4812124199	Bracket	1		
8		FleetLink			
9	4700901225	Fuse 5A Tan	1		
10	4812124256	Wiring harness	1		
11	4700792609	Cable ties	2		
12	4812013038	GPS module	1		
13	4700792210	Screw torx	2		
14	4812124199	Bracket	1		

Optional equipment 4812013038 GPS module



Item	Part No.	Name	Qty	L	SN INFO
1	4812013160	Socket shell	1		
2	4812013161	Male contact	3		

Optional equipment Compaction meter (DCM)

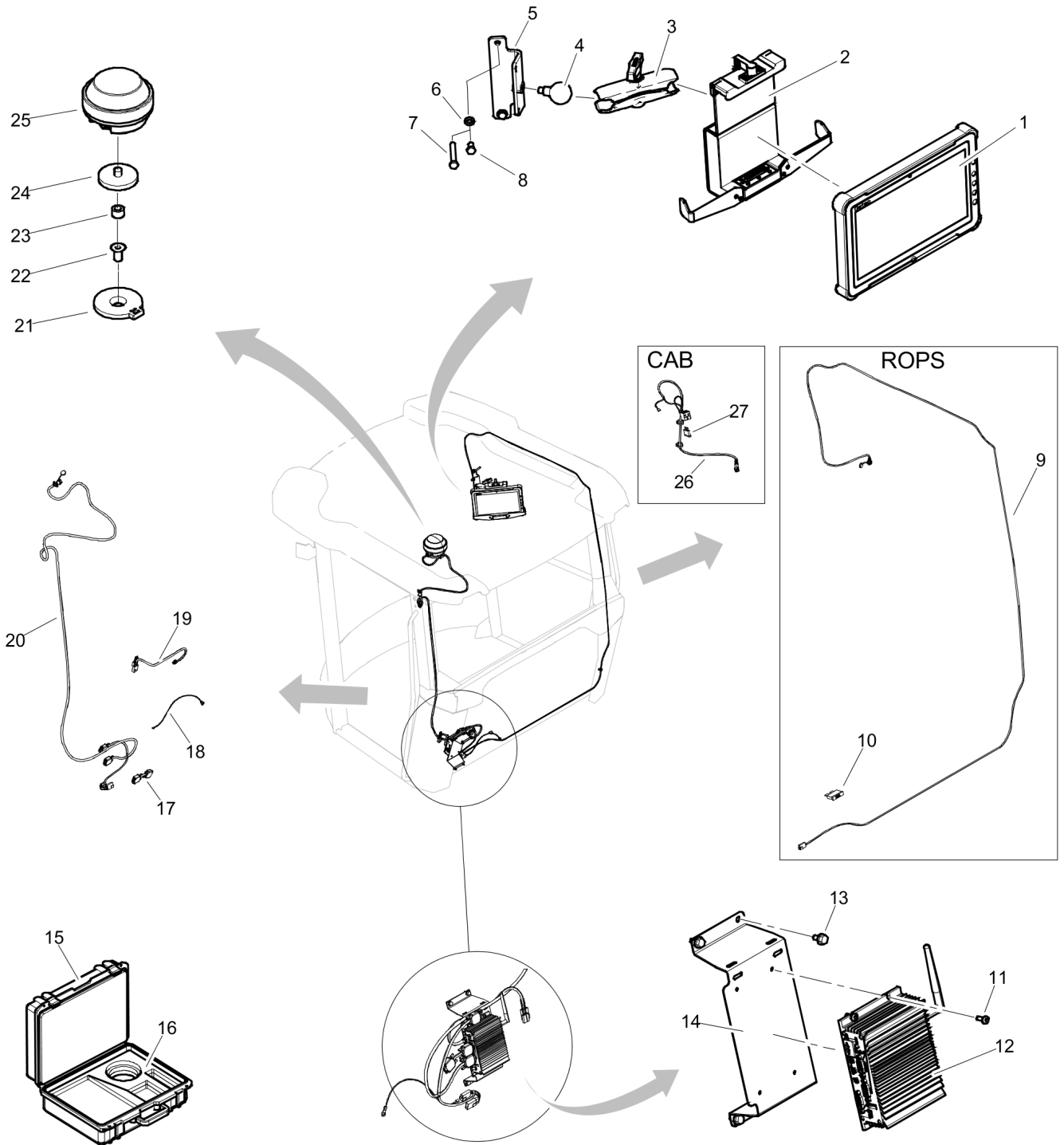


Refer to Parts Online for the most up to date information. The printed information might be outdated.

Wed Nov 14 15:03:50 UTC 2018

Item	Part No.	Name	Qty	L	SN INFO
1	4812123038	Plate	1		
2	4700904231	Washer, 13x24x2 mm 300 HV	2		
3	4700500051	Hex. screw	2		
4	4700923876	Clamp	1		
5	4812122777	DCM unit	1		
6	4700606003	Washer	4		
7	4812123171	Hexagon socket head cap screw	4		
8	4700904228	Washer 6,4x12x1,5	2		
9	4700500079	Screw M6-1x50 8,8	2		
10	4700923859	Cover plate	1		
11	4700500079	Screw M6-1x50 8,8	2		
12	4700904228	Washer 6,4x12x1,5	2		
13	4700791454	Cover plate	1		
14	4700791453	Pipe clamp block	1		
15	4700500035	Hexagon screw, M12x20H	2		
16	4700904231	Washer, 13x24x2 mm 300 HV	2		
17	4812116181	Bracket	1		
18	4700792441	Cable tie with holder	1		
19	4700313102	Cable ties	1		
20	4812122778	Power supply	1		
21	4700928200	Hexagon socket countersunk screw	4		
22	4700792210	Screw torx	2		
23	4700923976	Lock nut	4		
24	4812122780	Bracket	1		
25	4812116367	Cable entry frame and inserts	1		

Optional equipment Dyn@lyzer



Refer to Parts Online for the most up to date information. The printed information might be outdated.

Wed Nov 14 15:03:50 UTC 2018

Item	Part No.	Name	Qty	L	SN INFO
1	4812123488	Computer	1		
2	4812123489	Holder	1		
3	4812123728	Arm	1		
4	4812123727	Ball joint	1		
5	4812123747	Bracket	1		
6	4700904229	Washer, 8.4x 6x1.5 mm 300HV	2		
7	4700500026	Screw M8-1,25x60 mm 8.8	2		
8	4700500019	Hexagon screw	2		
9	4812123524	Wiring harness	1		
10	4700901226	Fuse 7.5A Brown	1		
11	4700792154	Tapping screw ST	4		
12	4812123490	Gateway	1		
13	4700541702	Screw M6x12	4		
14	4812123471	Bracket	1		
15	4812124090	Carrying case	1		
16	4812124091	Rubber insert	1		
17	4812123523	Wiring harness	1		
18	4812123681	Ground cable	1		
19	4812123533	Wiring harness	1		
20	4812123525	Wiring harness	1		
21	4812121818	Bracket	1		
22	4700513016	Hexagon socket countersunk screw M16	1		
23	4812123534	Thread insert	1		
24	4812113160	Bracket	1		
25	4812123491	Antenna	1		
26	4812123699	Wiring harness	1		
27	4700901226	Fuse 7.5A Brown	1		

Appendix B:Parts Index	4700313035	124
0248998073	4700313041	92, 368, 370, 382, 386, 392, 398, 406, 456, 462, 506, 528,
0570702503	546, 550, 554	
0686901038	4700313068	368
291112842	4700313094	160
4700116041	4700313102	162, 162, 590
4700150008	4700330331	124, 270, 578
4700151023	4700330383	124
4700151044	4700335607	338, 344
4700160043	4700335659	94
4700160080	4700340863	108
4700160105	4700343318	106, 112, 118
4700160132	4700343744	110, 112, 114, 116, 118, 120
4700160191	4700343748	268
4700160231	4700346217	568
4700160296	4700349682	94
4700160372	4700349715	108
4700162004	4700350009	494, 498
4700162008	4700355608	66, 340
4700162017	4700355797	376
4700162027	4700355889	74
4700167023	4700355983	530
4700202028	4700357138	12, 14, 18, 20, 26, 28, 32, 34, 268
4700202057	4700357488	570
4700205112	4700358230	148
4700230277	4700358254	436
4700230384	4700358881	74, 520
4700230515	4700359043	524
4700230516	4700359125	524
4700232039	4700359819	524
4700232041	4700359916	494
4700232118	4700359919	494
4700233304	4700359920	494
4700234919	4700359989	132, 160
4700246069	4700359998	424, 440
4700272372	4700370234	504
4700272373	4700372174	454
4700287294	4700372587	124
4700287295	4700372597	162
4700287643	4700372658	74
4700288129	4700372672	494
4700313001	4700372696	504
4700313002	4700372697	504
4700313003	4700372964	494
4700313004	4700372965	494
4700313006	4700374059	268
4700313009	4700374799	86
4700313010	4700374854	88
4700313022	4700377507	460
4700313023	4700377508	460
4700313033	4700377518	504

4700377742	42, 66	4700391622	556
4700377744	66	4700392075	136, 140
4700377913	584	4700392321	410
4700378712	144	4700392450	370
4700379480	124	4700392451	370
4700379718	494	4700392717	518
4700379728	524	4700392719	518
4700380018	110, 112, 114, 116, 118, 120	4700392810	134
4700380436	148	4700392839	494
4700381413	162, 162	4700392840	494
4700381619	570	4700392930	506
4700381943	490	4700392965	500
4700382383	90	4700393094	518
4700382571	122	4700393525	424, 440
4700382572	122	4700393959	532
4700382751	530, 530	4700394275	382
4700383024	136, 140	4700394276	382
4700383425	548	4700394322	124
4700383705	436	4700394395	574
4700383844	62	4700394536	74
4700384114	94, 94	4700394542	384
4700384121	94	4700394679	146
4700384176	552	4700394686	8, 10, 12, 14, 18, 20, 22, 24, 26, 28, 32, 34, 146
4700384584	436	4700394687	12, 14, 18, 20, 26, 28, 32, 34, 146
4700384877	554, 554	4700394705	554, 554
4700384878	552, 554, 554	4700394706	554, 554
4700385599	506	4700395022	146
4700386966	134, 144	4700395352	368
4700387545	520	4700395447	494
4700387638	528	4700395785	152, 506
4700388446	266	4700395816	124, 468
4700388449	530	4700395841	460
4700388737	506	4700395843	460
4700389857	66	4700395888	384
4700390365	68	4700396041	404
4700390561	504	4700396043	402
4700390589	164	4700396044	402
4700390591	164	4700396047	402, 402
4700390618	124	4700396048	402
4700390860	352	4700396119	390
4700390896	36, 110, 112, 114, 116, 118, 120	4700396536	390
4700390900	530	4700396601	218, 256, 398, 400
4700390926	268	4700396635	340
4700390963	504	4700396662	506
4700391031	44	4700396670	520
4700391163	494, 496	4700396839	68
4700391299	136, 136, 136, 140, 140, 140	4700397604	522
4700391303	124	4700475064	72
4700391396	506	4700476019	580
4700391420	506	4700500002	394
4700391621	556	4700500003	402

4700500004	430, 468, 482	4700500161	42, 56, 66, 194, 314
4700500006	124, 380, 404	4700500163	110, 112, 114, 116, 118, 120
4700500009	152	4700500189	230, 410
4700500010	378	4700500194	184, 220, 258
4700500012	364, 454, 458, 478, 580	4700500195	568
4700500013	42, 134, 158, 268, 332, 352, 356, 358, 360, 394, 450	4700500207	122
4700500015	352, 398	4700500239	66
4700500018	126, 332	4700500249	318
4700500019	126, 198, 208, 268, 316, 332, 342, 346, 348, 382, 392, 592	4700500270	62
4700500020	562	4700500284	42
4700500021	124, 130, 144, 148, 150, 158, 160, 280, 318, 368, 406, 494, 500, 544, 576	4700500286	122
4700500022	88, 132, 182, 184, 198, 208, 266, 268, 316, 422, 490, 526, 544	4700500501	332
4700500024	150, 576	4700500502	82
4700500025	318	4700500503	162
4700500026	332, 382, 392, 592	4700500505	146, 268, 506
4700500027	272	4700500509	84, 584
4700500028	42, 42, 44, 48, 70, 182, 198, 208, 498, 502	4700502036	124
4700500029	148, 278, 498	4700502053	108
4700500030	86, 130, 156, 160, 200, 210	4700508001	400
4700500031	66, 92	4700508002	528
4700500032	84	4700508014	300, 310
4700500035	418, 590	4700508017	506
4700500036	572	4700508019	342, 346, 490
4700500037	136, 140, 286	4700508022	546
4700500040	162, 278, 342, 346, 384, 546, 550	4700508023	348
4700500043	194, 560, 570	4700508025	148, 504, 528
4700500046	300, 310, 322, 326, 338, 344, 562	4700508027	498
4700500048	126, 142, 298, 408, 582	4700508028	68
4700500051	96, 126, 590	4700508029	494
4700500053	96, 124, 134, 136, 140, 144, 268, 278, 280, 320, 404, 504, 504, 562	4700508048	266, 300, 310
4700500056	132, 160, 424, 440	4700508053	124, 182
4700500060	506	4700508060	300, 310
4700500068	554	4700508063	268
4700500070	306	4700508079	148
4700500075	80, 88, 266, 342, 346, 500	4700508080	296, 306
4700500079	402, 418, 454, 590, 590	4700508092	272, 502
4700500082	94, 110, 112, 114, 116, 118, 120, 132	4700508099	546, 550
4700500090	316	4700513012	66, 152
4700500091	194	4700513016	592
4700500093	200, 210	4700513017	68
4700500096	556	4700513027	420
4700500102	52, 54, 296	4700516025	124
4700500107	132	4700516040	494
4700500115	518	4700532032	126
4700500123	60	4700541702	382, 592
4700500133	106	4700570002	348
		4700570003	356, 546, 550
		4700570004	278, 506
		4700570005	66, 88, 160, 318, 338, 344, 348, 406, 446, 540, 576, 584
		4700570007	88, 572
		4700570008	382

4700570015	122	4700791475	454
4700570101	338, 344	4700791518	338, 344
4700573008	524	4700791524	494, 500
4700586001	378, 404, 506, 520, 522	4700791535	182
4700586002	82, 342, 346, 402, 498, 500, 506, 518	4700791572	510, 512, 514, 516
4700586003	80, 158, 318, 340, 342, 346, 406, 490, 494, 518, 528, 544	4700791588	506
4700586018	56, 84, 412	4700791642	146
4700586021	132	4700791666	66, 454
4700586022	122	4700791711	284, 304
4700588176	530, 530	4700791712	284, 304
4700601001	378, 380, 430, 468, 482, 546, 550	4700791723	506
4700601003	428, 428, 450, 452	4700791733	506
4700603001	134, 148	4700791739	506
4700603010	528	4700791743	272
4700604005	318	4700791799	320, 562
4700606003	418, 590	4700791805	284, 304
4700606004	518	4700791807	278, 320
4700615050	88	4700791828	194
4700615061	84	4700791830	314
4700624005	530, 532	4700791832	332
4700624018	74	4700791834	332
4700629076	570	4700791838	194, 222
4700630003	82	4700791840	194
4700630008	524	4700791841	562
4700635061	570	4700791843	272
4700791120	158, 270	4700791846	220, 258
4700791156	110, 112, 114, 116, 118, 120	4700791860	182, 198, 208
4700791171	478	4700791956	66
4700791172	432	4700791963	572
4700791175	164	4700791966	464
4700791176	164	4700791970	488
4700791182	446, 446, 450	4700792035	376
4700791185	464	4700792065	528
4700791212	316, 318	4700792068	268
4700791213	286	4700792074	332
4700791231	234, 248, 260, 272, 300, 310	4700792083	44, 322, 326, 562
4700791273	532	4700792093	332
4700791304	404	4700792103	434
4700791318	318	4700792119	82, 458
4700791396	42	4700792154	592
4700791397	332	4700792186	402
4700791405	268	4700792210	354, 386, 418, 586, 586, 590
4700791409	272	4700792261	164, 164
4700791414	220, 232, 246, 258	4700792264	268
4700791421	522	4700792276	268
4700791450	338, 344	4700792295	268
4700791453	418, 590	4700792299	272, 318
4700791454	418, 590	4700792309	342, 346, 352, 464
4700791460	136, 140	4700792310	342, 346
4700791468	124	4700792322	134
		4700792336	182

4700792338	268	4700813791	146
4700792339	298, 316, 318	4700900229	286
4700792354	376	4700900430	184
4700792359	562	4700900519	46
4700792392	386	4700900775	110, 112, 114, 116, 118, 120
4700792394	44, 48	4700900776	36, 110, 110, 112, 112, 114, 114, 116, 116, 118, 118, 120, 120
4700792397	406	4700900994	322, 326, 562
4700792398	372	4700901141	528
4700792410	410	4700901145	424, 440
4700792414	506	4700901157	296, 306
4700792422	368	4700901218	164
4700792441	156, 338, 342, 344, 346, 348, 352, 368, 372, 402, 418, 456, 462, 514, 516, 562, 590	4700901225	348, 352, 586, 586
4700792465	296, 306	4700901226	368, 592, 592
4700792500	320, 562	4700901227	348, 352, 354, 368, 382, 396, 464
4700792502	124	4700901228	348, 464
4700792505	464	4700901327	262
4700792515	44	4700901385	188
4700792516	48	4700901386	188
4700792519	368	4700901443	164
4700792520	368	4700901444	164
4700792527	502, 510, 512, 514, 516	4700901465	262
4700792536	436	4700901688	404
4700792537	348, 372	4700901727	292
4700792539	494	4700901832	80, 126
4700792586	320	4700901987	180
4700792589	436	4700902041	74
4700792601	72	4700902062	560
4700792602	338, 344	4700902166	42
4700792609	370, 558, 586, 586	4700902282	424, 440
4700792611	560, 568	4700902284	380
4700792634	574	4700902285	68, 80, 266, 332, 348
4700792660	382	4700902286	80, 126, 142, 182, 198, 208, 230, 266, 278, 284, 304, 320, 410, 504, 504, 562
4700792667	406	4700902288	568
4700792678	524	4700902379	434
4700792686	554, 562	4700902509	574, 574
4700792715	462	4700902520	494
4700792718	80, 80, 546, 550	4700902804	506
4700792761	390	4700902866	80, 82
4700792762	390	4700902919	48
4700792763	390	4700902928	242
4700792769	338, 344	4700902930	236, 242, 256
4700792772	532	4700902944	242, 242
4700792776	362	4700902996	202, 218, 228, 238, 242, 256
4700792795	390	4700903290	42, 424, 440
4700792796	80, 80, 80, 80	4700903386	422
4700792808	156	4700903422	530
4700792809	268, 332	4700903423	136, 140, 534
4700801251	568	4700903424	534
4700801631	62	4700903425	436, 532
4700813423	162		

4700903431	282	4700904299	546
4700903456	320, 562	4700904311	358
4700903459	530	4700904312	352
4700903586	66, 146	4700904346	268
4700903590	466	4700904353	164
4700903615	74	4700904388	532
4700903633	440	4700904389	532, 534
4700903640	342	4700904390	532
4700903641	342	4700904391	532, 534
4700903662	518	4700904496	286
4700903670	454	4700904504	356, 464
4700903703	142, 266	4700904556	96, 134, 136, 140, 144, 148, 160, 270, 316, 318, 342, 346, 504, 544, 544, 562
4700903714	162, 162	4700904557	66, 84, 86, 126, 156, 182, 194, 198, 208, 432, 498
4700903732	528	4700904558	44, 52, 54, 58, 62, 132, 296, 306, 570
4700903741	348, 352	4700904563	450
4700903768	266	4700904567	44, 48
4700903795	106	4700904570	362
4700903917	494	4700904575	146
4700903918	494	4700904584	296, 306
4700903923	80	4700904586	300, 310
4700903985	164, 530	4700904619	520
4700904004	182, 200, 210, 296, 306	4700904623	320
4700904005	222, 234, 248, 260, 286, 300	4700904637	124, 200, 210, 296, 300, 306, 310
4700904015	396	4700904638	222, 234, 248, 260, 268, 286
4700904024	396	4700904640	80, 88, 126, 136, 140, 150, 158, 160, 280, 318, 410, 494, 524, 544
4700904037	338, 344, 366	4700904650	508
4700904039	338, 344	4700904653	380, 520
4700904096	536	4700904654	584
4700904165	540	4700904698	80, 348, 352, 358, 394, 420, 422, 506, 546
4700904171	310	4700904703	88, 258, 286, 510, 512, 514, 516
4700904206	152, 478	4700904734	318, 332, 584
4700904213	568	4700904735	80, 266, 278, 374, 394
4700904214	48, 494	4700904755	80
4700904228	42, 66, 106, 158, 162, 268, 278, 332, 342, 346, 352, 356, 358, 360, 364, 384, 398, 402, 418, 446, 450, 458, 462, 478, 498, 500, 506, 518, 546, 550, 580, 590, 590	4700904766	332
4700904229	124, 130, 132, 134, 144, 146, 148, 150, 182, 184, 198, 208, 266, 266, 268, 272, 278, 280, 316, 318, 320, 332, 338, 340, 342, 344, 346, 348, 368, 382, 392, 406, 410, 422, 454, 454, 490, 494, 498, 500, 504, 524, 526, 528, 540, 544, 554, 556, 562, 576, 584, 592	4700904774	184, 266, 300, 310
4700904230	42, 56, 70, 84, 86, 92, 142, 182, 194, 198, 208, 272, 278, 298, 314, 408, 412, 502, 560, 582	4700904793	232, 246
4700904231	44, 48, 88, 94, 96, 106, 126, 136, 136, 140, 140, 160, 184, 220, 300, 310, 338, 344, 418, 572, 572, 590, 590	4700904835	530
4700904232	60, 94, 110, 112, 114, 116, 118, 120, 200, 210, 560	4700904870	530, 530
4700904233	42, 46, 94, 122, 164, 424, 440	4700904872	278, 320, 562
4700904260	94, 568, 570	4700904895	530
4700904280	164	4700904911	360
4700904281	124, 152, 348, 356, 378, 402, 506, 520, 522	4700904943	332
4700904292	124	4700904985	156, 156, 162, 162, 268
		4700904986	156
		4700904988	158
		4700908229	530, 530
		4700908399	146
		4700908426	242
		4700908432	202

4700908440	202, 242, 244	4700935525	242
4700908505	428, 466	4700935626	262
4700908506	466	4700935633	262
4700908507	466	4700936283	504
4700908561	450	4700936313	308
4700908564	450	4700936898	298
4700908774	290	4700937055	302
4700909129	434	4700937258	186
4700909525	202, 218, 228, 238, 242, 256	4700937264	192
4700909535	504	4700937265	186
4700909536	504	4700937283	264
4700909609	178	4700937620	502
4700910162	272	4700937621	502
4700921050	142	4700937892	502
4700921057	158	4700938296	178
4700921078	398	4700938622	460
4700921080	370	4700938624	546
4700921084	332	4700938984	178
4700921723	68, 486	4700939009	180
4700922944	158	4700939010	180
4700923008	142, 268, 278	4700939014	180
4700923087	202, 242, 242, 264	4700939016	180
4700923384	222, 234, 248, 260, 286	4700939017	180
4700923859	418, 590	4700939082	22, 24, 26, 28, 32, 34, 128
4700923876	418, 590	4700939273	180
4700923976	80, 420, 422, 546, 590	4700939348	180
4700925208	42, 42, 46	4700939350	178, 180
4700925519	136, 140	4700939693	454
4700926214	560	4700939826	506
4700926215	66	4700940451	506
4700926537	348, 546, 550	4700940533	128
4700926781	180	4700940676	308
4700927233	72	4700945145	8, 10, 12, 14, 18, 20, 128
4700927410	424, 440	4700945147	8, 10, 12, 14, 18, 20, 22, 24, 26, 28, 32, 34, 128
4700927411	42	4700945314	556
4700927857	160	4700945622	504
4700928200	590	4700945624	8, 10, 12, 14, 18, 20, 22, 24, 26, 28, 32, 34, 128
4700928347	510, 512, 514, 516	4700945626	128
4700928381	458, 458	4700945632	496
4700928441	130	4700945633	496
4700928467	352	4700945634	496
4700928784	374	4700945635	496
4700928791	222, 234, 248, 260, 286	4700945636	496
4700929191	80	4700945637	496
4700929226	182, 200, 210, 296, 306	4700945657	36
4700929447	38, 106, 112, 118	4700945660	504
4700929455	376	4700945661	504
4700929587	434, 454	4700945757	236, 256
4700929612	180	4700945768	128
4700929675	174	4700945770	128
4700935524	242	4700945887	128

4700947679	524	4811000409	330
4700947680	428, 452	4811000410	284, 304
4700947689	136, 140	4811000411	266
4700947697	560	4811000412	284, 304
4700947698	94	4811000416	198, 208
4700947699	94, 560	4811000417	296, 306
4700947706	94	4811000429	368
4700950140	128	4811000458	458, 546, 550
4700950313	128	4811000462	92
4700950348	550	4811000481	160
4700950417	566	4811000529	392
4700960067	396	4811000531	528
4700989151	270	4812013038	586
4700991658	532	4812013040	586
4811000074	184, 328, 332	4812013160	588
4811000077	406	4812013161	588
4811000086	232, 246	4812030096	12, 18, 26, 32, 108
4811000151	124	4812104420	172
4811000163	368	4812104421	172
4811000176	338, 344	4812104465	102
4811000178	338	4812104466	102
4811000197	266	4812110229	258
4811000199	266	4812110366	46
4811000200	314	4812110367	490
4811000201	314	4812110560	348
4811000202	268	4812110572	58
4811000205	314	4812110642	94
4811000206	320	4812110644	94
4811000207	320	4812110768	136, 140
4811000212	284, 304	4812110769	136, 140
4811000214	266	4812110884	368
4811000228	220, 232, 246, 258	4812110885	498
4811000229	220, 232, 246	4812110886	506
4811000230	220, 232, 246, 258	4812110891	526
4811000260	562	4812110901	506
4811000261	314	4812110930	136, 140
4811000263	314	4812111092	56
4811000265	488	4812111103	52, 56, 58
4811000268	488	4812111122	114, 120
4811000269	488	4812111216	500
4811000292	392	4812111241	366
4811000305	332	4812111248	372
4811000310	232, 246	4812111264	136, 140
4811000316	402	4812111268	398
4811000393	332	4812111294	498
4811000395	388	4812111311	540
4811000400	266	4812111768	316
4811000402	266	4812111769	318
4811000403	266	4812111770	316
4811000407	330	4812111771	316
4811000408	330	4812111780	506

4812111838	562	4812112404	80
4812111937	570	4812112405	90
4812111944	568	4812112413	106, 112, 118
4812111946	570	4812112417	392
4812111981	342, 346	4812112419	392, 398
4812112000	342, 346	4812112423	578
4812112015	124	4812112435	164
4812112017	354	4812112455	110, 112, 116, 118
4812112059	68	4812112460	410
4812112062	398	4812112465	94
4812112065	348	4812112479	160
4812112066	348	4812112530	562
4812112068	392, 562	4812112555	266, 318
4812112070	348	4812112556	268
4812112071	402	4812112559	314
4812112072	418	4812112560	286
4812112097	134, 136, 140	4812112561	286
4812112162	42	4812112639	154
4812112170	286	4812112640	420
4812112174	296	4812112641	420
4812112180	306	4812112642	420
4812112188	332, 334	4812112647	154
4812112198	94, 100	4812112648	268
4812112200	200	4812112655	152
4812112202	210	4812112656	152
4812112207	260, 262	4812112686	356
4812112208	222	4812112688B	348
4812112210	248	4812112691	356
4812112211	234	4812112729	152
4812112215	184	4812112736	92
4812112227	398	4812112747	110, 112, 114
4812112229	398	4812112761	154
4812112231	398	4812112774	410
4812112236	332, 336	4812112776	154
4812112238	272, 276	4812112777	154
4812112260	298	4812112784	110, 112, 114, 116, 118, 120
4812112262	4, 6, 12, 14, 18, 20, 26, 28, 32, 34, 298	4812112791	418
4812112268	426, 442, 480	4812112792	420
4812112290	328	4812112793	368
4812112304	182, 198, 208	4812112834	80
4812112306	182, 198, 208	4812112837	394
4812112325	406	4812112838	394
4812112341	314	4812112843	82
4812112343	154	4812112845	88
4812112344	154	4812112846	88
4812112355	124	4812112884	82
4812112362	562	4812112916	368
4812112374	368	4812112917	392
4812112393	164	4812112924	378
4812112402	86	4812112950	92
4812112403	82	4812112952	92

4812113032	544	4812113633	300, 310
4812113039	160	4812113640	154
4812113040	160	4812113641	154
4812113058	388	4812113678	280
4812113075	94	4812113679	280
4812113083	542	4812113687	194
4812113117	368	4812113699	94
4812113118	368	4812113708	136, 136, 140, 140
4812113123	420	4812113786	518
4812113140	368	4812113820	136, 140
4812113141	368	4812113832	108
4812113148	94	4812113853	94
4812113156	568	4812113875	506
4812113158	388	4812113878	136, 140
4812113160	388, 592	4812113879	136, 140
4812113167	382	4812113885	42
4812113168	40	4812113903	106
4812113181	158	4812113934	572
4812113195	142	4812113935	572
4812113213	94	4812113936	572
4812113214	94	4812113941	278, 284, 304
4812113215	300	4812113963	182, 198, 208
4812113224	94	4812113983	320
4812113237	278	4812114098	162
4812113238	386	4812114108	194
4812113245	542	4812114123	554
4812113258	40, 94	4812114124	554
4812113266	94	4812114146	388
4812113281	94	4812114149	142
4812113283	94	4812114150	142
4812113315	68	4812114156	388
4812113338	278	4812114172	498
4812113341	164	4812114189	300, 310
4812113344	164, 166	4812114194	488
4812113476	106	4812114205	268
4812113478	498	4812114212	148, 528
4812113480	128	4812114213	506
4812113481	128	4812114214	506
4812113482	128	4812114223	108
4812113491	554, 554	4812114227	160
4812113492	554, 554	4812114230	132
4812113498	562	4812114232	132
4812113513	42	4812114233	132
4812113569	182, 198, 208	4812114245	542
4812113573	144	4812114246	542
4812113607	42	4812114257	540
4812113621	310	4812114274	116, 118, 120
4812113622	550	4812114311	546, 550
4812113623	546, 550	4812114318	88
4812113624	546	4812114340	94
4812113629	136	4812114341	560

4812114344	94	4812114606	450
4812114345	94	4812114607	450
4812114346	94	4812114608	450
4812114382	122	4812114609	450
4812114396	132	4812114610	450
4812114424	158	4812114611	450, 450, 450, 450, 450
4812114426	348	4812114612	450
4812114428	560	4812114613	450
4812114433	414	4812114619	352
4812114434	272	4812114622	230
4812114465	136, 140	4812114652	230
4812114476	80	4812114655	352
4812114488	80	4812114656	368
4812114492	316	4812114670	198, 208
4812114516	284, 304	4812114673	198, 208
4812114519	284, 304	4812114675	182
4812114563	430, 482	4812114677	182
4812114564	430, 468, 482	4812114678	182
4812114565	430, 468, 482	4812114679	182
4812114566	430, 468, 482	4812114680	182
4812114567	430, 458, 468, 470, 478, 482, 484	4812114691	182, 198, 208
4812114568	426, 480	4812114707	560
4812114569	432	4812114720	412
4812114570	470	4812114722	144
4812114571	470	4812114724	144
4812114572	470, 484	4812114742	582
4812114573	468	4812114756	74
4812114574	468	4812114803	506
4812114575	468	4812114804	576
4812114576	468	4812114813	152
4812114577	476	4812114814	78
4812114578	476	4812114828	82
4812114579	476	4812114829	82
4812114580	476	4812114830	82
4812114581	476	4812114831	82
4812114582	478	4812114833	56
4812114583	478	4812114873	368
4812114584	478	4812114913	154
4812114585	478	4812114931	558
4812114586	444	4812114932	558
4812114587	444	4812114933	164
4812114588	444	4812114934	164
4812114593	446	4812114935	152
4812114598	450	4812114949	152
4812114599	450	4812114984	402
4812114600	450	4812114990	46
4812114601	450	4812114991	48
4812114602	450	4812114993	48
4812114603	450	4812114995	48
4812114604	450	4812114997	48
4812114605	450	4812114999	48

4812115000	48	4812115203	446
4812115010	88	4812115204	446
4812115013	546, 550	4812115205	446
4812115019	528	4812115206	446
4812115020	410	4812115207	446
4812115022	84	4812115208	446
4812115051	194, 200, 210, 286	4812115209	446
4812115063	328	4812115210	446
4812115064	266, 328	4812115211	446
4812115065	328	4812115212	446
4812115079	562	4812115213	446
4812115080	562	4812115214	446
4812115085	562	4812115215	446
4812115093	382	4812115216	446
4812115162	450	4812115217	446
4812115164	428, 452, 454	4812115218	446
4812115165	452	4812115219	448
4812115166	428	4812115220	448
4812115167	456	4812115223	448
4812115168	456	4812115224	474
4812115169	456	4812115225	448
4812115170	428, 452	4812115226	448
4812115171	428, 452	4812115228	454
4812115172	456	4812115229	454
4812115175	458	4812115230	454
4812115177	458	4812115231	84
4812115178	458	4812115232	84
4812115179	458	4812115233	84
4812115180	458	4812115234	84
4812115181	462	4812115387	424, 440
4812115182	462	4812115392	44
4812115183	462	4812115398	44
4812115184	464	4812115422	48
4812115185	464	4812115423	48
4812115186	434, 454	4812115424	48
4812115187	464	4812115425	48
4812115188	474	4812115427	48
4812115189	474	4812115463	318
4812115190	474	4812115467	44, 48
4812115191	474	4812115468	48
4812115192	486	4812115508	62
4812115193	428	4812115539	142
4812115194	428	4812115544	134
4812115195	428	4812115673	58
4812115196	428	4812115707	392, 398
4812115197	472	4812115770	162
4812115198	472	4812115778	52, 56
4812115199	474	4812115810	416
4812115200	446	4812115832	314
4812115201	446	4812115835	554
4812115202	444	4812115836	554

4812115857	126	4812116702	44
4812115858	126	4812116781	296, 306
4812115902	148	4812116792	82
4812115908	160	4812116793	82
4812115911	338, 344	4812116799	406
4812115912	338, 344	4812116807	332
4812115921	418	4812116821	44, 46, 66
4812115947	44	4812116834	152
4812115949	44	4812116836	152
4812115950	44	4812116857	182, 198, 208
4812115965	286	4812116861	342, 346
4812116023	106	4812116862	80
4812116029	96	4812116867	424, 440
4812116043	96	4812116877	346
4812116107	142	4812116884	424, 440
4812116181	418, 590	4812116972	344
4812116183	94	4812116986	488
4812116192	454	4812117024	332
4812116193	454	4812117048	66
4812116194	454	4812117050	560
4812116195	454	4812117108	362
4812116197	454	4812117149	364
4812116198	454	4812117161	134
4812116199	446	4812117165	130
4812116201	454	4812117166	130
4812116308	84	4812117248	92, 162, 528, 554
4812116333	44	4812117297	326
4812116334	44	4812117324	284, 304
4812116340	44	4812117325	198, 208
4812116341	160	4812117326	198, 208
4812116342	160	4812117328	560
4812116346	422	4812117349	546, 550, 558
4812116354	422	4812117379	162
4812116357	502	4812117398	156
4812116362	344	4812117400	156
4812116367	422, 590	4812117434	266
4812116420	128	4812117445	266
4812116421	128	4812117446	266
4812116422	128	4812117447	266
4812116423	128	4812117473	82
4812116424	128	4812117490	506
4812116425	128	4812117507	42
4812116587	422	4812117508	44
4812116588	422	4812117512	44
4812116617	62	4812117530	44
4812116622	410	4812117533	162
4812116645	268	4812117550	122
4812116651	72	4812117587	570
4812116652	72	4812117602	134
4812116653	72	4812117732	266
4812116680	48	4812117740	570

4812117789	156	4812118887	332
4812117796	280, 282	4812118893	584
4812117839	78, 78, 78, 78	4812118917	332
4812117867	48	4812118918	332
4812117915	182, 198, 208	4812118920	332
4812117922	510, 514	4812118921	332
4812117924	510, 512	4812118960	268
4812117925	514, 516	4812118961	268
4812117964	490	4812118976	80
4812118062	62	4812118989	82
4812118094	124	4812118994	80, 82
4812118095	124	4812119062	338, 344
4812118128	134	4812119127	136, 140
4812118142	160	4812119227	506
4812118143	160	4812119295	502
4812118150	300, 302	4812119306	488
4812118151	310, 312	4812119317	508
4812118154	338, 344	4812119327	488
4812118203	130	4812119342	40, 94
4812118215	554	4812119357	134
4812118216	554	4812119366	440
4812118275	152	4812119367	440
4812118287	132	4812119788	524
4812118312	500	4812119807	44, 48
4812118338	132	4812119809	44, 48
4812118385	344	4812120070	438
4812118432	132	4812120100	530
4812118433	144	4812120101	530
4812118467	338, 344	4812120115	530
4812118494	136, 140	4812120160	66
4812118499	160	4812120255	452
4812118525	80	4812120257	462
4812118624	394	4812120269	458, 458
4812118625	392	4812120334	380
4812118626	152	4812120363	66
4812118641	394	4812120376	148
4812118670	152	4812120402	66
4812118697	506	4812120414	44, 48
4812118752	338	4812120437	530
4812118754	506	4812120439	530
4812118814	18, 20, 32, 34, 110, 112, 114, 116, 118, 120	4812120441	530
4812118816	512, 516	4812120468	410
4812118823	124	4812120469	410
4812118842	582	4812120534	348
4812118847	124	4812120545	424
4812118852	414	4812120560	66
4812118853	92	4812120562	124
4812118859	80	4812120615	44
4812118862	80	4812120618	44
4812118883	414	4812120661	44, 46, 66
4812118884	414	4812120672	348

4812120674	164, 164	4812122780	590
4812120676	164	4812122931	222
4812120681	48	4812122932	234
4812120707	48	4812123005	132
4812120725	80	4812123006	148
4812120726	80	4812123020	144
4812120727	80	4812123035	340
4812120729	80	4812123038	590
4812120730	80	4812123044	266
4812120749	78	4812123171	590
4812120790	380	4812123224	42
4812120831	322	4812123471	592
4812120840	272, 274	4812123488	592
4812120858	160	4812123489	592
4812120909	560	4812123490	592
4812120910	560	4812123491	592
4812120959	348	4812123523	592
4812121000	440	4812123524	592
4812121033	160	4812123525	592
4812121034	160	4812123533	592
4812121111	44	4812123534	592
4812121118	418	4812123681	592
4812121201	92	4812123699	592
4812121209	36, 110, 112, 114, 116, 118, 120	4812123727	592
4812121264	418	4812123728	592
4812121282	44, 48	4812123747	592
4812121294	42	4812123793	84
4812121331	500	4812123800	544
4812121368	80	4812123810	124
4812121396	44	4812124006	48
4812121397	44	4812124012	48
4812121398	44	4812124090	592
4812121550	318	4812124091	592
4812121665	44, 48	4812124199	586, 586
4812121764	280	4812124210	162
4812121815	134	4812124238	358
4812121818	592	4812124239	358
4812121844	134	4812124256	586, 586
4812121848	408	4812125407	490
4812121866	134	4812126248	506
4812121886	570	4812126260	520
4812121914	68	4812126261	520
4812121925	134	4812126463	582
4812121946	322, 324, 326	4812126487	582
4812121948	562, 566	4812126698	504
4812122080	66	4812126777	406
4812122556	140	4812126778	406
4812122611	408	4812127101	284, 304
4812122654	182	4812127102	284, 304
4812122777	590	4812127103	314
4812122778	590	4812127104	314

4812127105	182, 198, 208	4812157078	236, 242, 256
4812127106	182, 198, 208	4812157079	238, 256
4812127111	220, 232, 246	4812157080	252
4812127114	198, 208	4812157170	190
4812127115	198, 208	4812157184	190
4812127149	284, 304	4812157185	190
4812127150	284, 304	4812157275	38
4812127151	258	4812157358	176
4812127152	182	4812157359	176
4812127153	182	4812157361	176
4812127820	536	4812157369	292
4812127909	536	4812157370	292
4812127932	536	4812157371	214, 254, 292
4812128222	536	4812157372	292
4812141570	560	4812157373	292
4812142385	586	4812157374	292
4812142386	586	4812157376	292
4812156170	40	4812157383	290
4812156796	180	4812157460	190
4812156887	174	4812157461	178
4812156954	178	4812157462	176
4812156958	178	4812157463	180
4812156993	4, 16, 30	4812157464	180
4812156999	202, 214, 226, 236, 242, 252	4812157465	178
4812157051	202, 226, 236, 242	4812157466	178
4812157052	202, 226, 236, 242	4812157469	176
4812157053	202, 226, 236, 242	4812157471	334
4812157054	202	4812157472	334
4812157055	202	4812157473	334
4812157056	202, 218	4812157474	334
4812157057	204, 218, 228, 238, 256	4812157565	566
4812157058	202, 218, 228	4812157566	566
4812157059	202, 218, 228	4812157567	566
4812157060	206, 216, 226, 240, 244, 252	4812157568	566
4812157061	206, 216, 226, 240, 244, 252	4812157569	566
4812157062	206, 216, 226, 240, 244, 252	4812157572	566
4812157063	206, 216, 226, 240, 244, 252	4812157654	274, 276
4812157064	204, 218	4812157655	276
4812157065	214, 252	4812157656	334
4812157066	214	4812157657	334
4812157067	214	4812157681	274, 276, 564
4812157068	214	4812157682	274, 276
4812157069	214	4812157683	276
4812157070	214, 252	4812157684	274, 276
4812157071	214, 252	4812157685	274, 276
4812157072	214, 254	4812157686	274, 276
4812157073	244	4812157687	274, 276
4812157074	202, 226, 236	4812157688	276
4812157075	202, 226, 236	4812157752	564
4812157076	236, 242	4812157753	564
4812157077	236, 242	4812157754	564

4812157755	564	4812158358	290
4812157756	564	4812158359	290
4812157757	564	4812158360	290
4812157759	324	4812158361	290
4812157770	274, 276	4812158362	288
4812157771	274, 276, 564	4812158364	292
4812157772	274, 276	4812158367	502
4812157773	274, 276	4812158369	24
4812157775	564	4812158370	30
4812157781	322	4812158387	102
4812158064	128	4812158388	102
4812158065	128	4812158389	102
4812158083	128	4812158390	100
4812158085	96	4812158391	100
4812158086	96	4812158392	100
4812158090	94	4812158393	100
4812158091	94	4812158394	104
4812158095	96	4812158395	302, 312
4812158096	96	4812158398	202
4812158153	238, 244, 250	4812158452	242
4812158154	204, 212	4812158453	262
4812158163	444	4812158454	262
4812158164	444	4812158455	262
4812158165	444	4812158456	262
4812158196	128	4812158466	166
4812158198	308	4812158467	166
4812158265	252	4812158468	166
4812158266	252	4812158469	166
4812158270	226	4812158470	168
4812158271	226	4812158471	168
4812158272	228	4812158472	168
4812158273	224	4812158473	168
4812158274	228	4812158474	168
4812158281	22, 30	4812158475	168
4812158282	26, 30	4812158476	172
4812158283	28	4812158477	172
4812158289	548	4812158478	172
4812158290	548	4812158479	172
4812158291	548	4812158480	172
4812158292	548	4812158481	550
4812158293	450	4812158482	550
4812158297	292	4812158483	196
4812158298	292	4812158484	196
4812158299	292	4812158485	454
4812158351	294	4812158582	32
4812158352	290	4812158583	34
4812158353	290	4812158657	190
4812158354	292	4812158766	186
4812158355	292	4812158777	98
4812158356	290	4812158778	98
4812158357	290	4812158779	98

4812158780	98	4812161165	428, 454
4812158781	98	4812161172	172
4812158782	98	4812161251	448
4812158783	98	4812161276	490
4812158859	474	4812161298	546
4812158992	458	4812161352	446, 454, 468, 468, 470
4812159165	128	4812161353	446
4812159183	446	4812161354	180
4812159184	444, 444, 444	4812161370	462
4812159460	290	4812161371	472
4812159461	290	4812161482	172
4812159499	128	4812161571	170
4812159558	446	4812161599	166
4812159763	282	4812161855	8, 12, 18, 22, 26, 32
4812159767	458	4812161868	18, 32
4812159768	458	4812161883	4, 6, 12, 18, 26, 32
4812159775	448	4812161884	6, 12, 18, 26, 32
4812159996	6	4812161887	4, 6, 18, 32
4812160053	582	4812162374	172
4812160172	10	4812162375	172
4812160173	8, 16	4812162376	172
4812160174	14	4812162377	172
4812160175	12, 16	4812162456	172
4812160176	20	4812162457	172
4812160177	18	4812162458	172
4812160178	16	4812162556	564
4812160265	564	4812162557	564
4812160388	448	4812162558	564
4812160598	552	4812162571	428, 452
4812160654	274, 276	4812162572	428, 452
4812160664	298	4812162654	458
4812160666	450	4812162687	170
4812160763	128	4812162688	170
4812160764	128	5501178300	332
4812160767	548	D902899008	290
4812160771	458		
4812160772	458		
4812160852	322, 324		
4812160876	202		
4812160877	448, 448, 448, 448		
4812161068	166		
4812161069	166		
4812161070	166		
4812161087	172		
4812161088	172		
4812161098	446		
4812161099	446, 476		
4812161153	324, 566		
4812161155	448, 448		
4812161156	448, 448		
4812161158	450		

